



US00D429435S

United States Patent [19]

Walters-Dowding et al.

[11] **Patent Number: Des. 429,435**

[45] **Date of Patent: ** Aug. 15, 2000**

[54] **WALL SHELF**

D. 131,344 2/1942 Daum D6/566 X
5,845,793 12/1998 Pan 211/181.1

[75] Inventors: **Andrea Walters-Dowding**, Dresden;
Kent Shaeffer; **Sun Lacy**, both of
Newark, all of Ohio; **Russell Gilbert**;
Shane Mathews, both of Mountain
View, Ak.

Primary Examiner—Brian N. Vinson
Attorney, Agent, or Firm—Porter, Wright, Morris & Arthur
LLP

[73] Assignee: **The Longaberger Company**, Newark,
Ohio

[57] **CLAIM**

The ornamental design for wall shelf, as shown and
described.

[**] Term: **14 Years**

DESCRIPTION

[21] Appl. No.: **29/108,558**

FIG. 1 is a perspective view of the wall shelf showing our
new design;

[22] Filed: **Jul. 29, 1999**

FIG. 2 is a front view thereof;

[51] **LOC (7) Cl.** **06-04**

FIG. 3 is a rear view thereof;

[52] **U.S. Cl.** **D6/566; D6/571**

FIG. 4 is a top view thereof;

[58] **Field of Search** D6/566, 567, 569,
D6/570, 571; 211/13.1, 86-87, 88, 90,
134, 181.1

FIG. 5 is a bottom view thereof;

FIG. 6 is a left side view thereof; and,

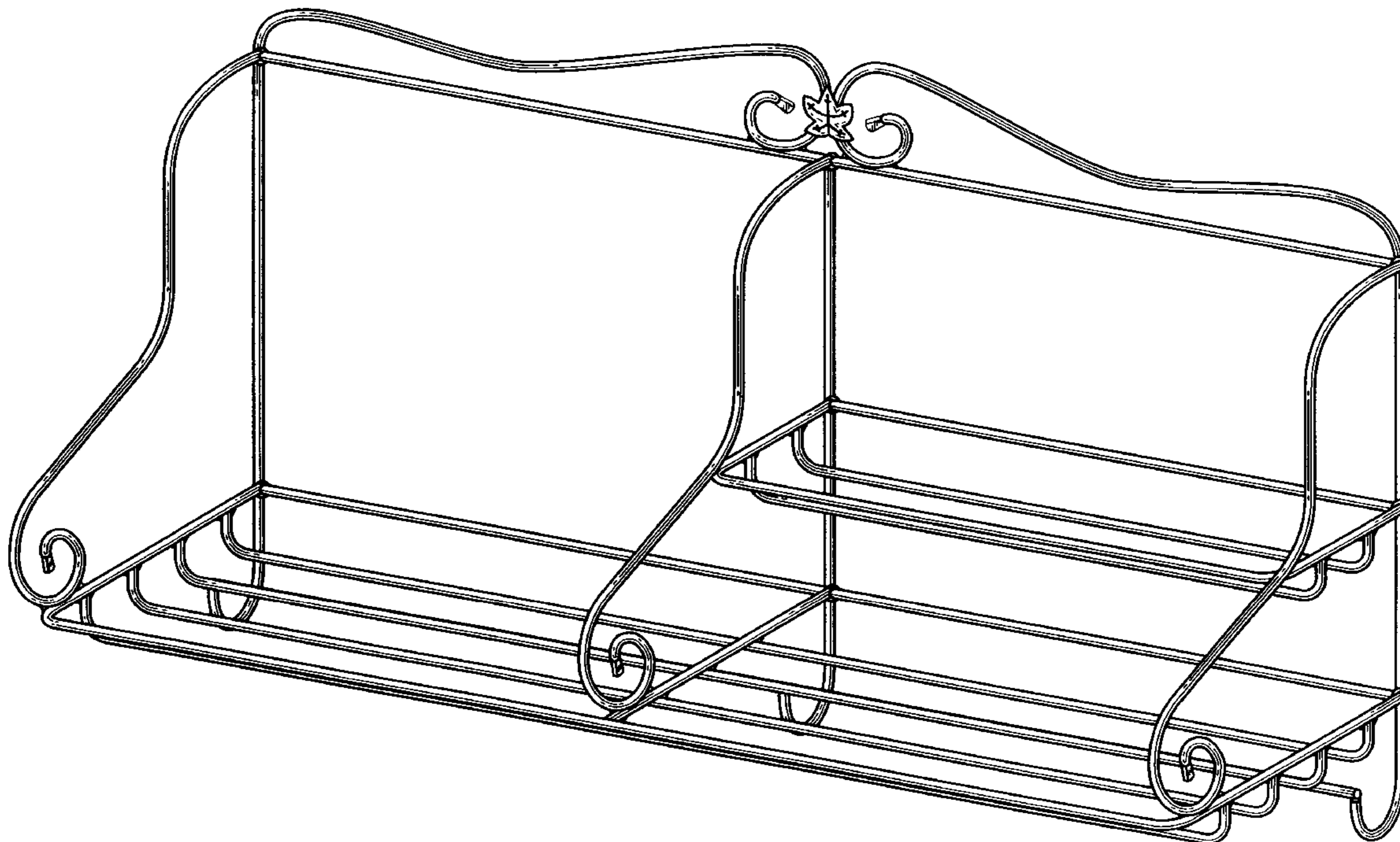
FIG. 7 is a right side view thereof.

[56] **References Cited**

U.S. PATENT DOCUMENTS

D. 104,385 5/1937 Wall D6/566

1 Claim, 7 Drawing Sheets



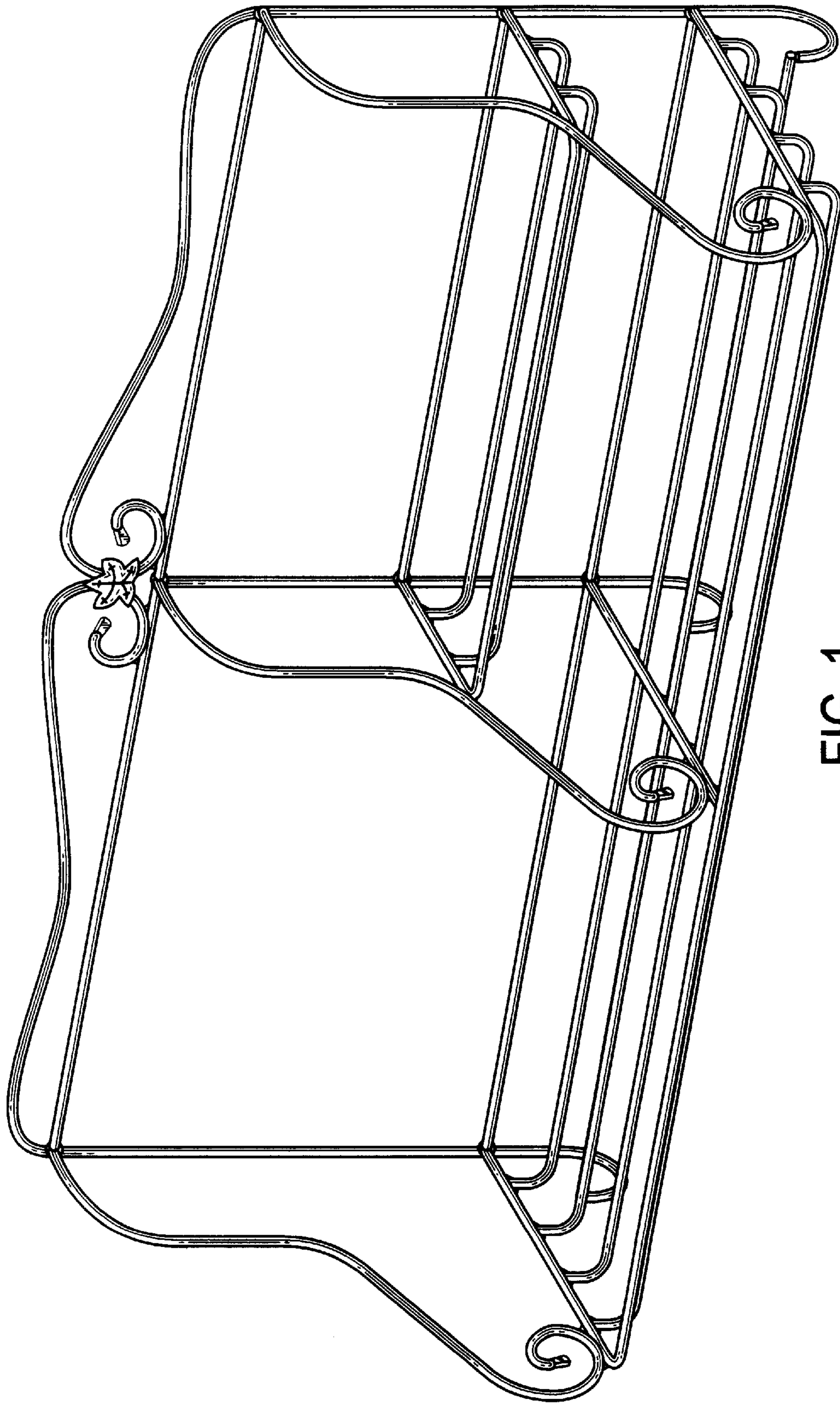


FIG. 1

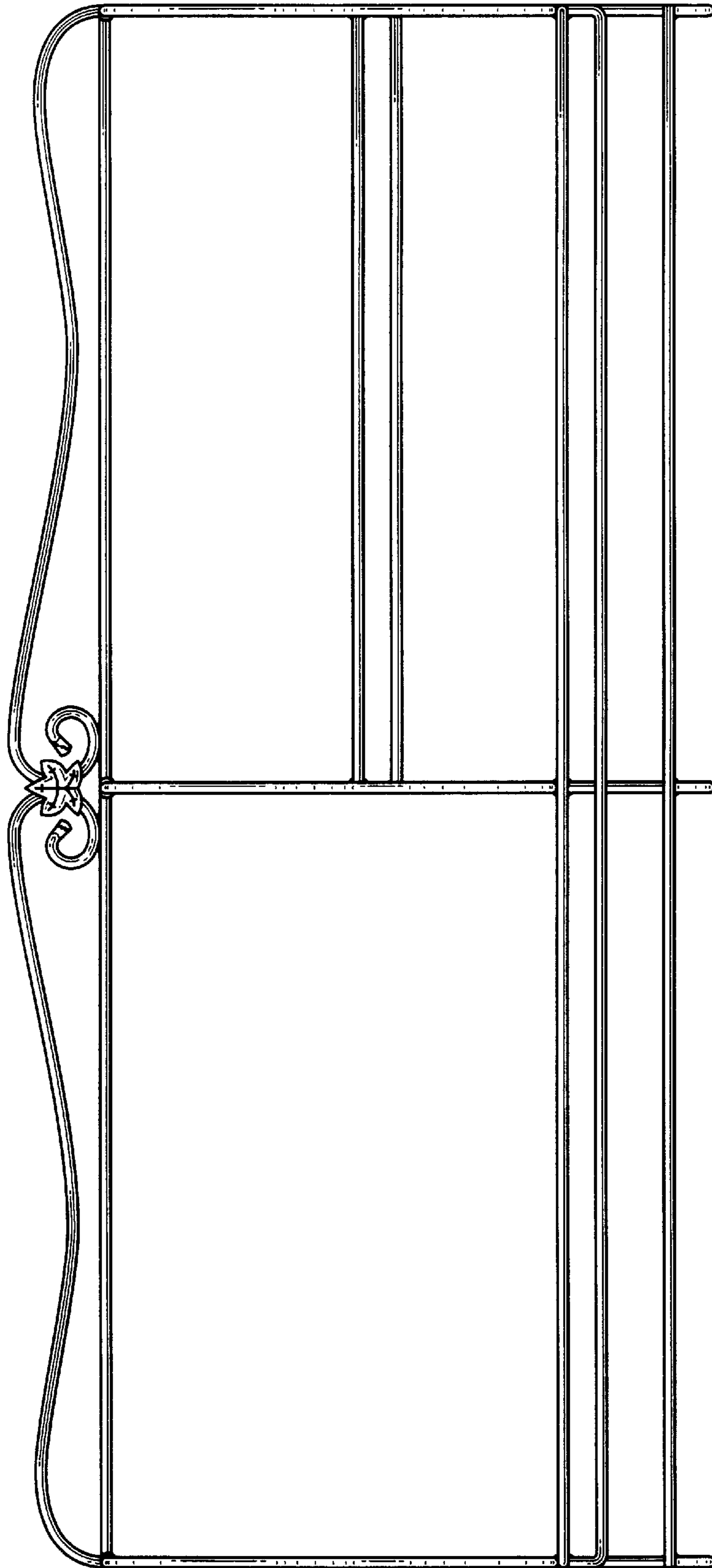


FIG. 2

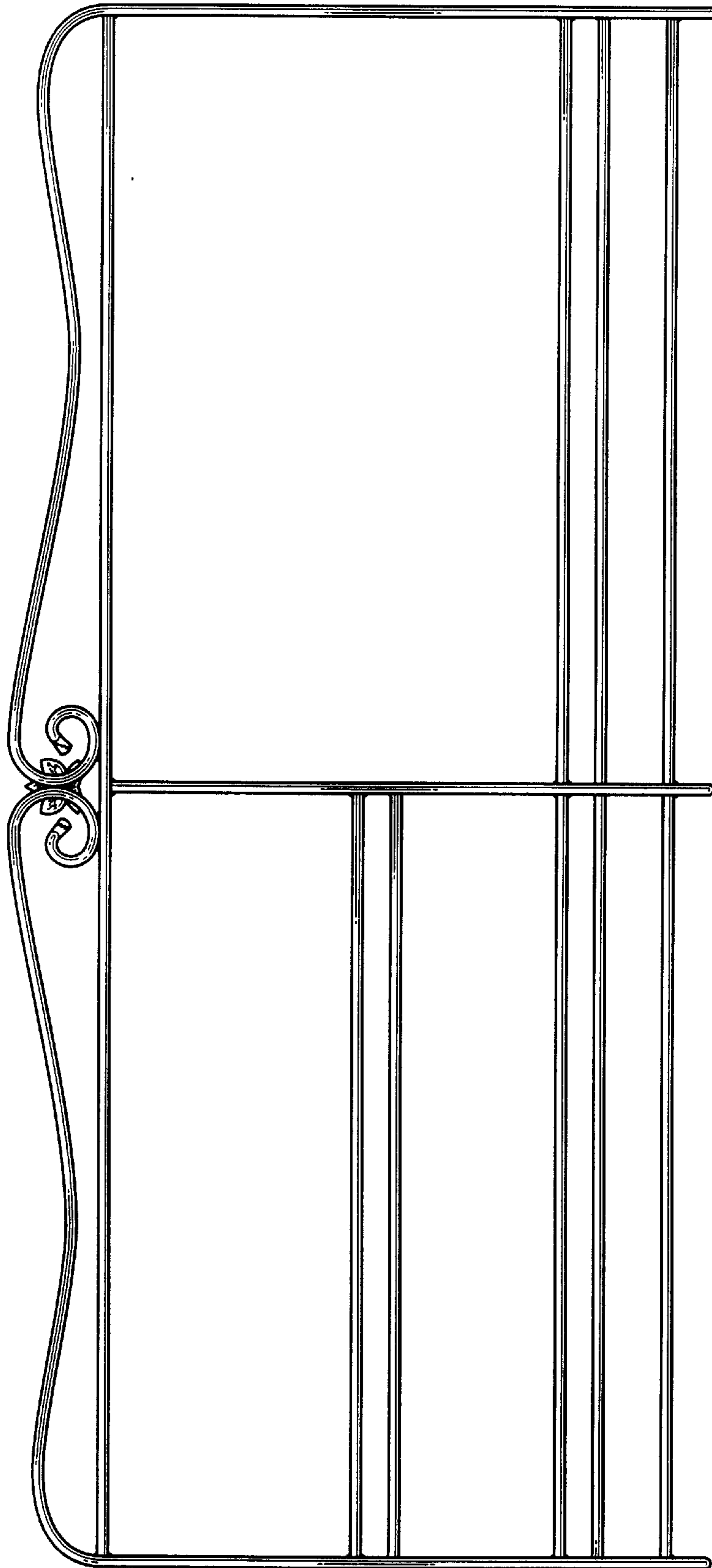


FIG. 3

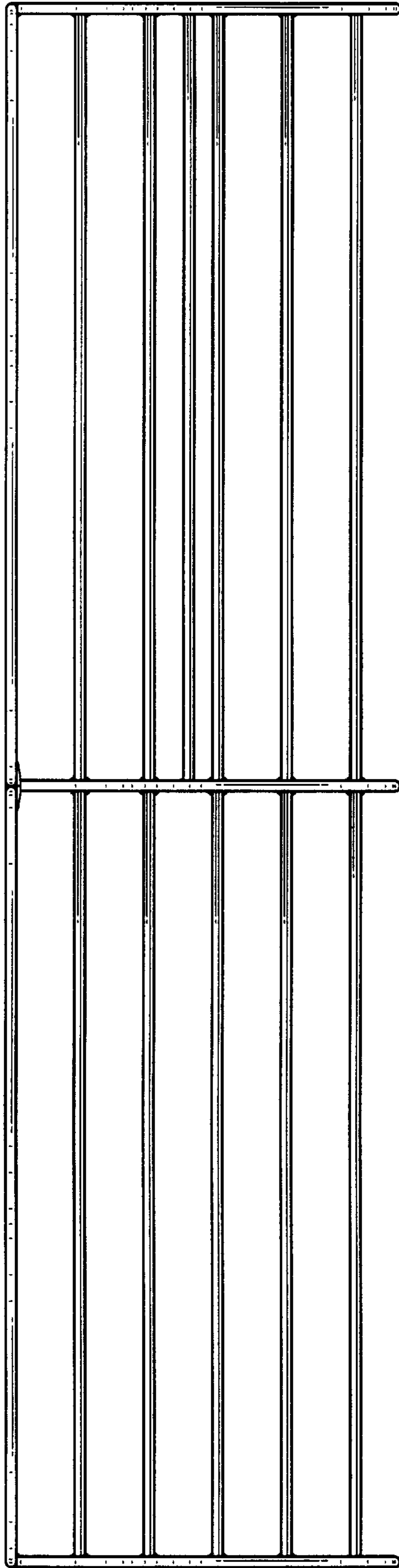


FIG. 4

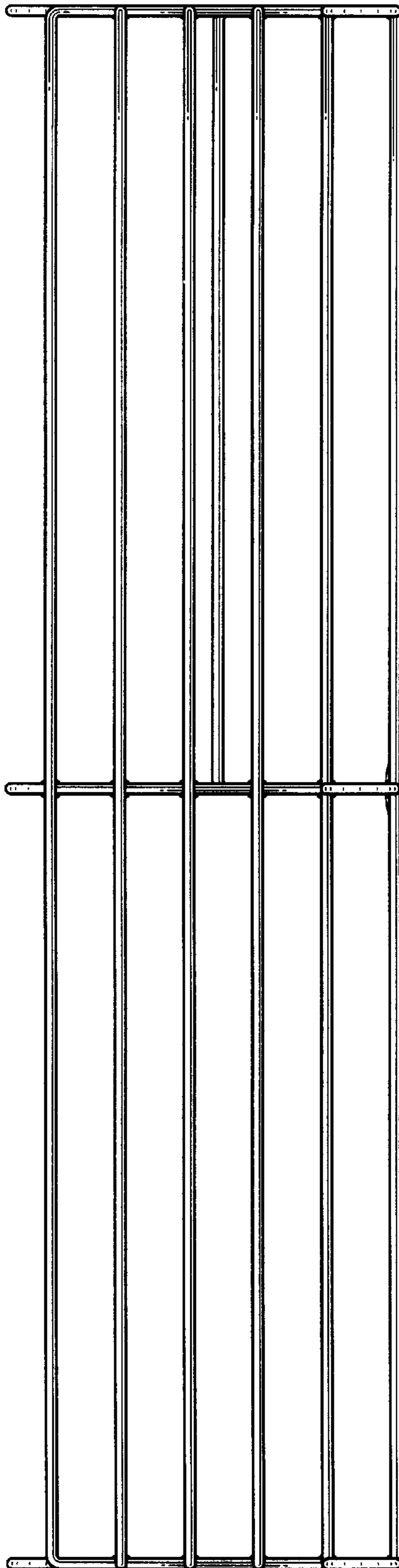


FIG. 5

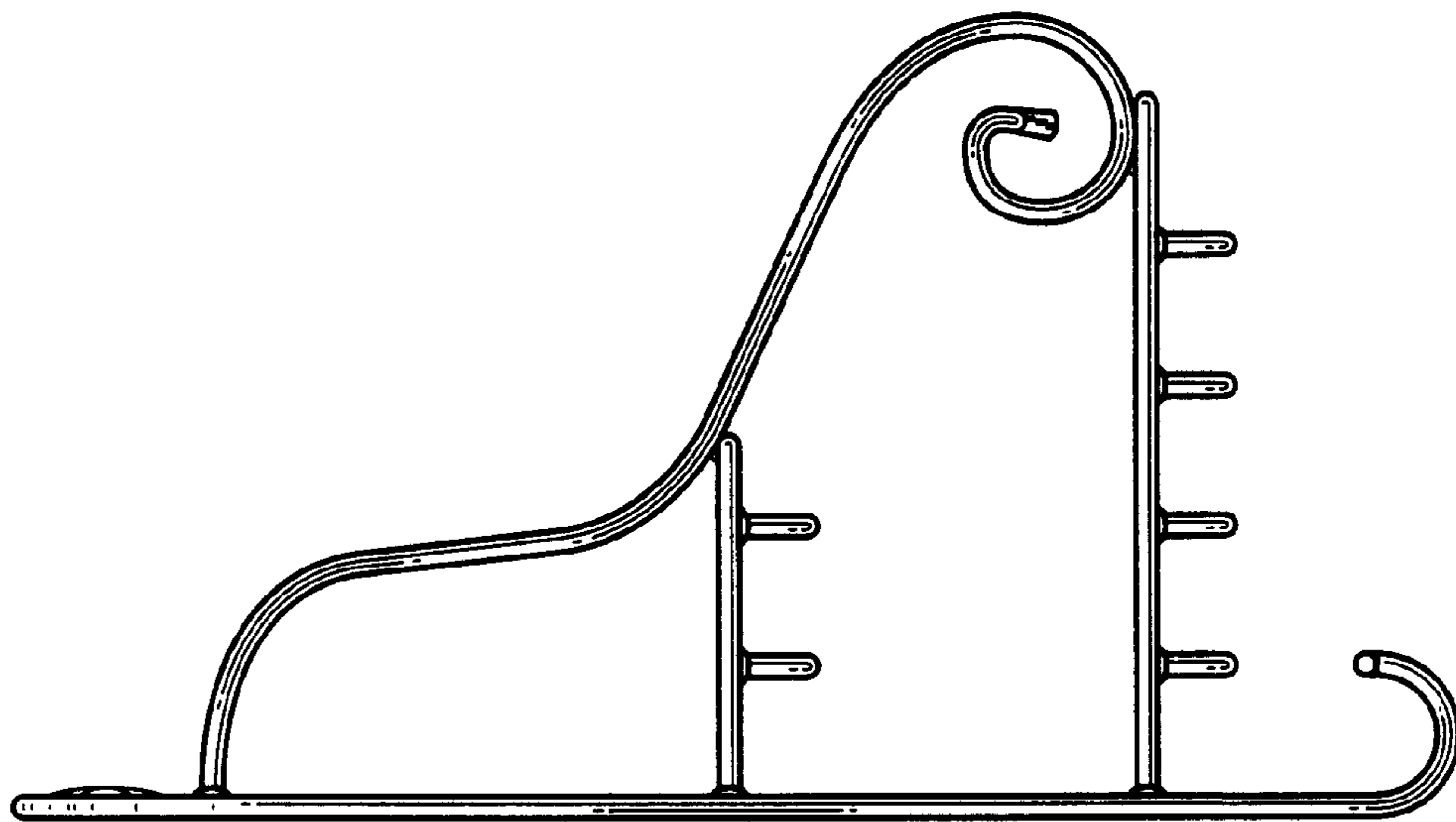


FIG. 6

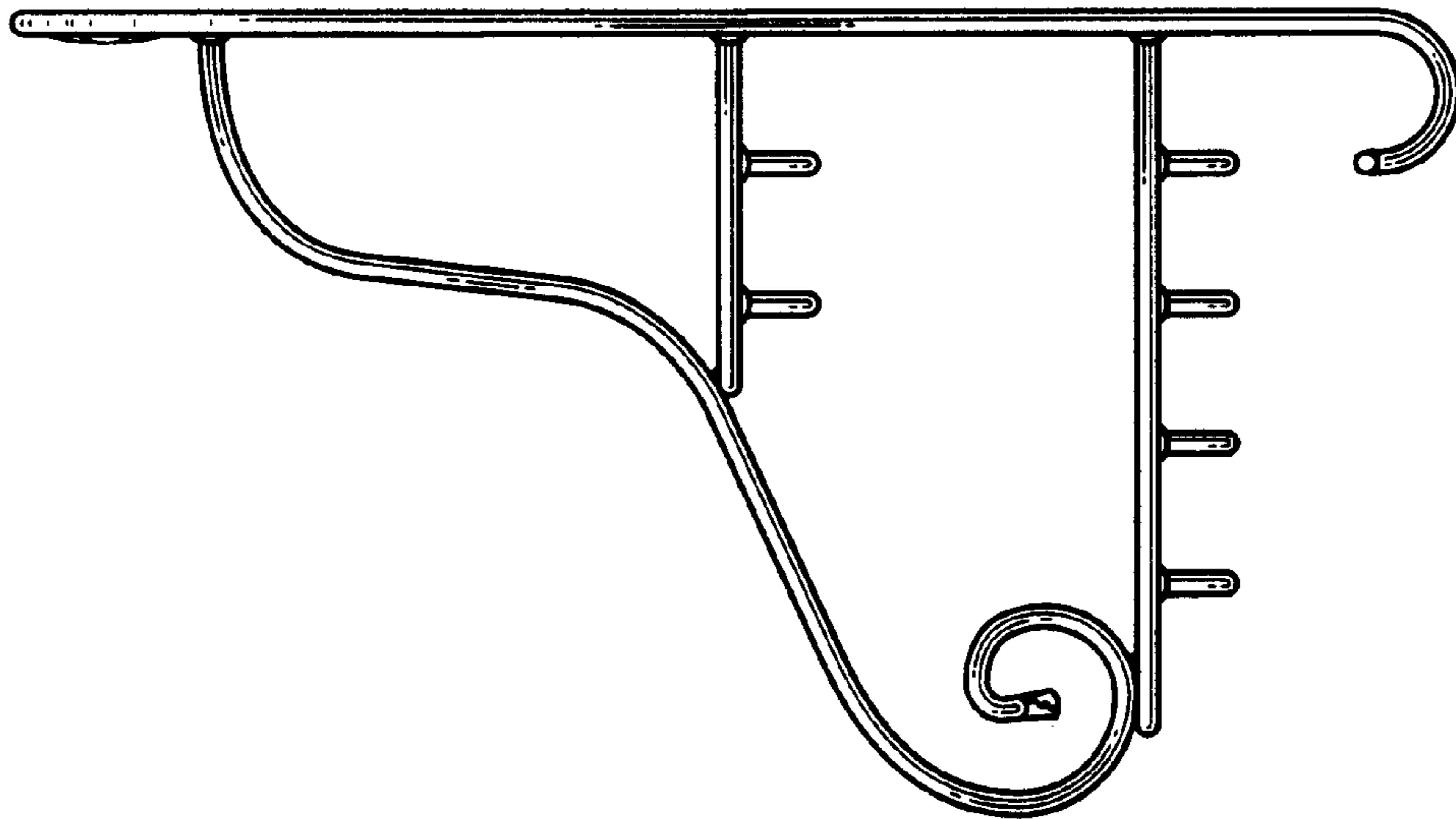


FIG. 7