



US00D429431S

United States Patent [19]
Zaidman

[11] **Patent Number: Des. 429,431**

[45] **Date of Patent: ** Aug. 15, 2000**

[54] **MOULDINGS FOR FURNITURE**

DESCRIPTION

[75] Inventor: **S. Paul Zaidman**, Winnipeg, Canada

[73] Assignee: **Palliser Furniture Ltd.**, Winnipeg, Canada

[**] Term: **14 Years**

[21] Appl. No.: **29/104,251**

[22] Filed: **Apr. 30, 1999**

[51] **LOC (7) Cl.** **06-06**

[52] **U.S. Cl.** **D6/491; D6/508; D6/300**

[58] **Field of Search** D6/300-314, 393,
D6/395, 505, 508; D20/10, 40; 40/700,
711, 718, 745, 765, 779, 780, 790, 798;
5/53.1, 907, 279.1, 280, 281

[56] **References Cited**

U.S. PATENT DOCUMENTS

D. 366,970	2/1996	Pollard	D6/383
D. 408,647	4/1999	Zaidman	D6/393
D. 410,792	6/1999	Zaidman	D6/300

Primary Examiner—Janice E. Seeger
Attorney, Agent, or Firm—Clifford W. Browning; Woodard, Emhardt, Naughton, Moriarty & McNett

[57] **CLAIM**

The ornamental design for mouldings for furniture, as shown and described.

FIG. 1 is a front elevational view of mouldings for furniture showing my new design;

FIG. 2 is a front right side perspective view thereof, the left side being a mirror image thereof;

FIG. 3 is a right side view thereof, the left side being a mirror image thereof;

FIG. 4 is a cross-sectional view at line 4—4 in FIG. 1;

FIG. 5 is a front elevational view of a second embodiment on a different casegood;

FIG. 6 is a front right side perspective view thereof, the left side being a mirror image thereof;

FIG. 7 is a left side view thereof, the right side being a mirror image thereof;

FIG. 8 is a cross-sectional view at 8—8 in FIG. 5;

FIG. 9 is front elevational view of a third embodiment on a different casegood;

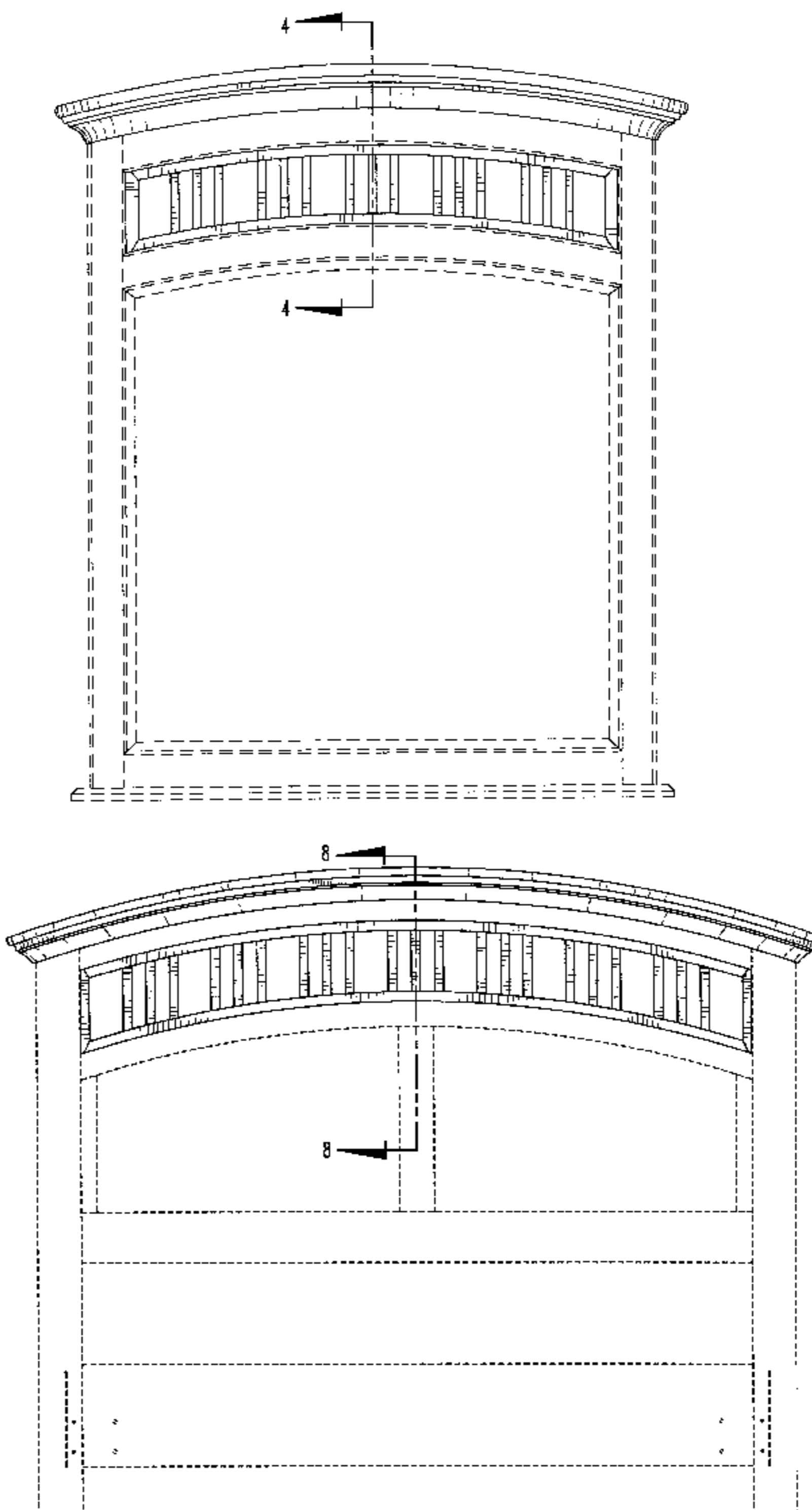
FIG. 10 is a front right side perspective view thereof, the left side being a mirror image thereof;

FIG. 11 is a left side view thereof, the right side being a mirror image thereof; and,

FIG. 12 is a cross-sectional view at line 12—12 in FIG. 9.

The broken lines shown throughout the views are for illustrative purposes only and form no part of the claimed design.

1 Claim, 12 Drawing Sheets



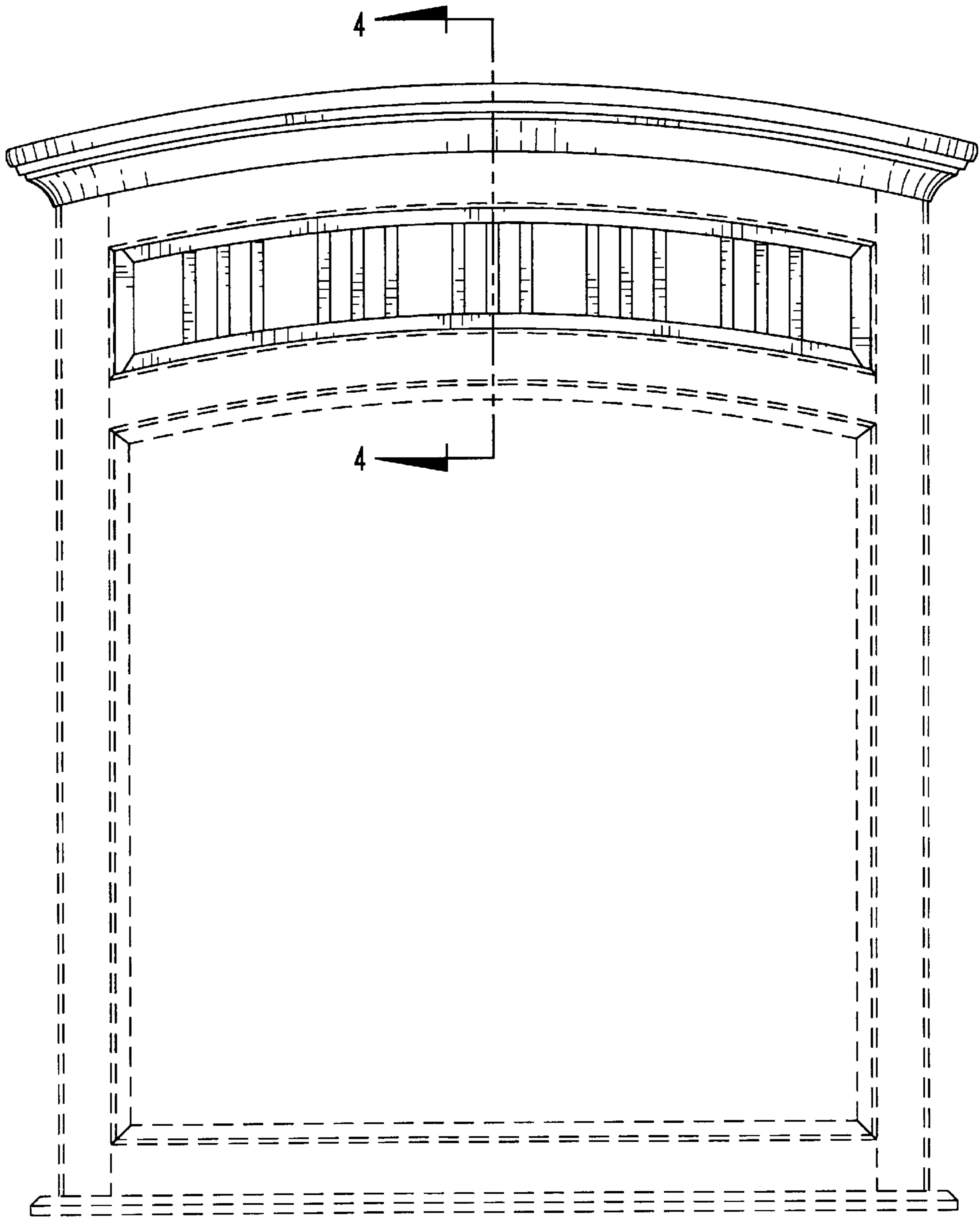


Fig. 1

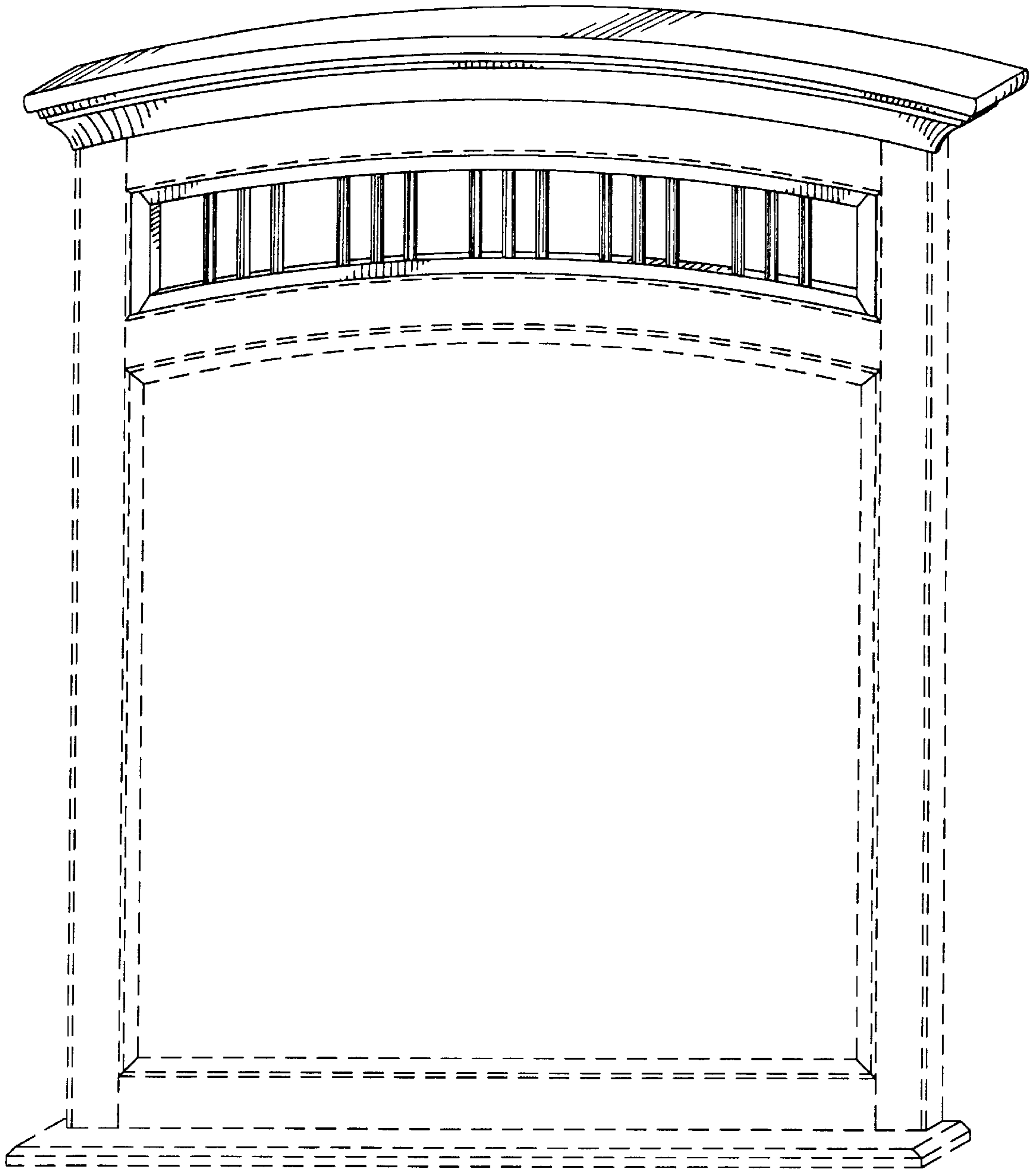


FIG. 2

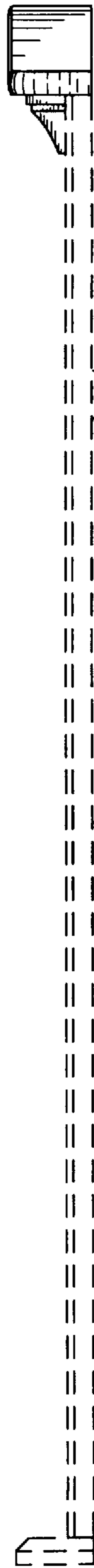


Fig. 3

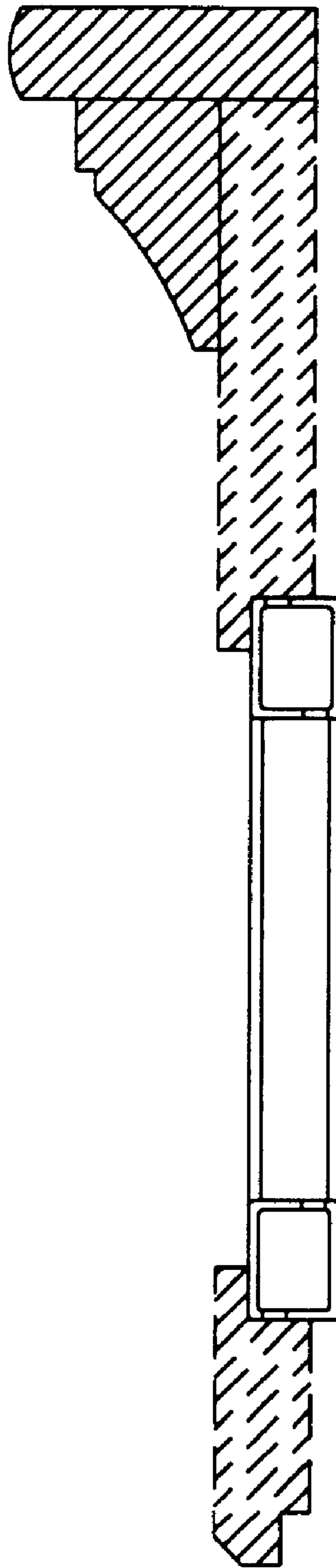


FIG. 4

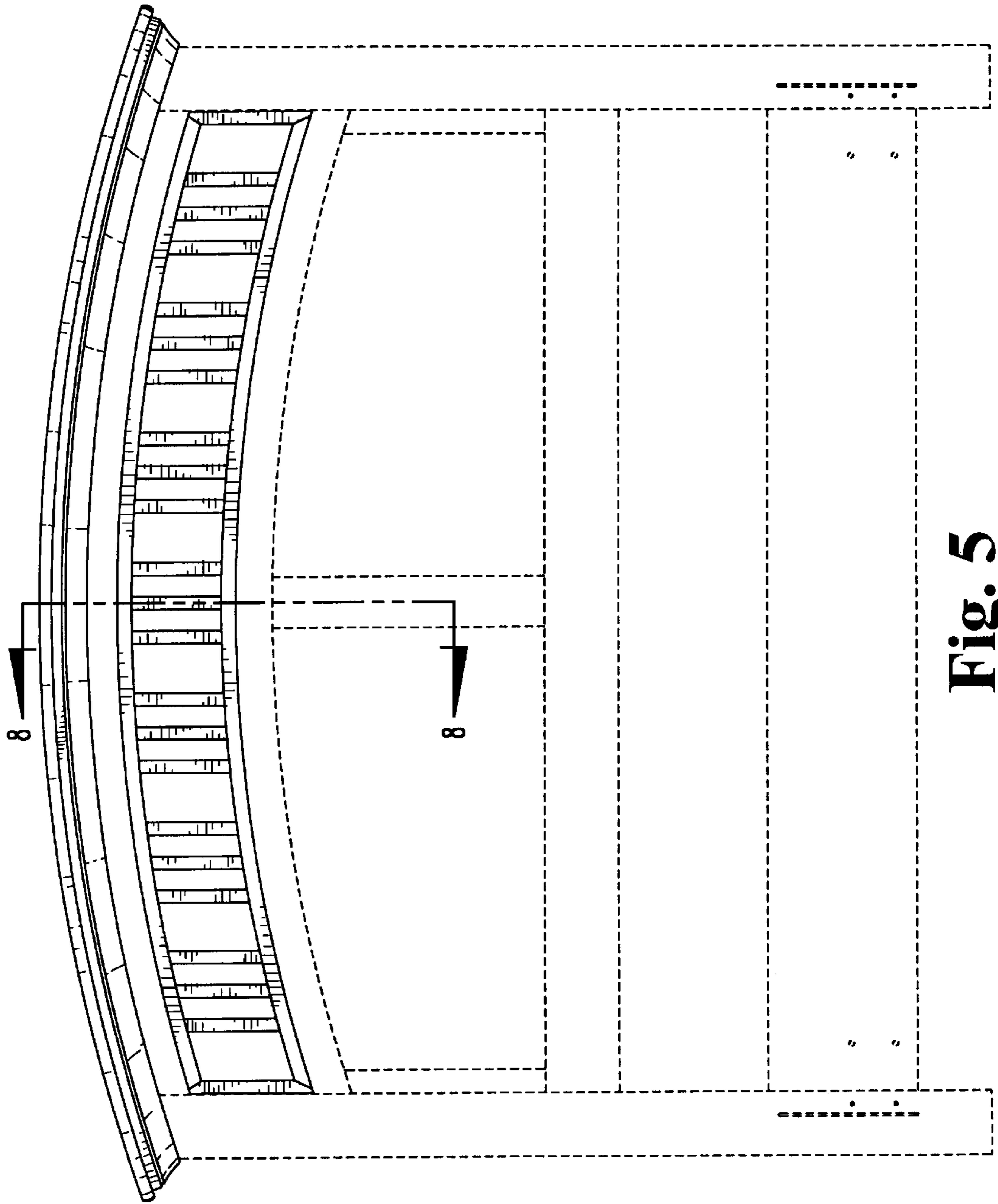


Fig. 5

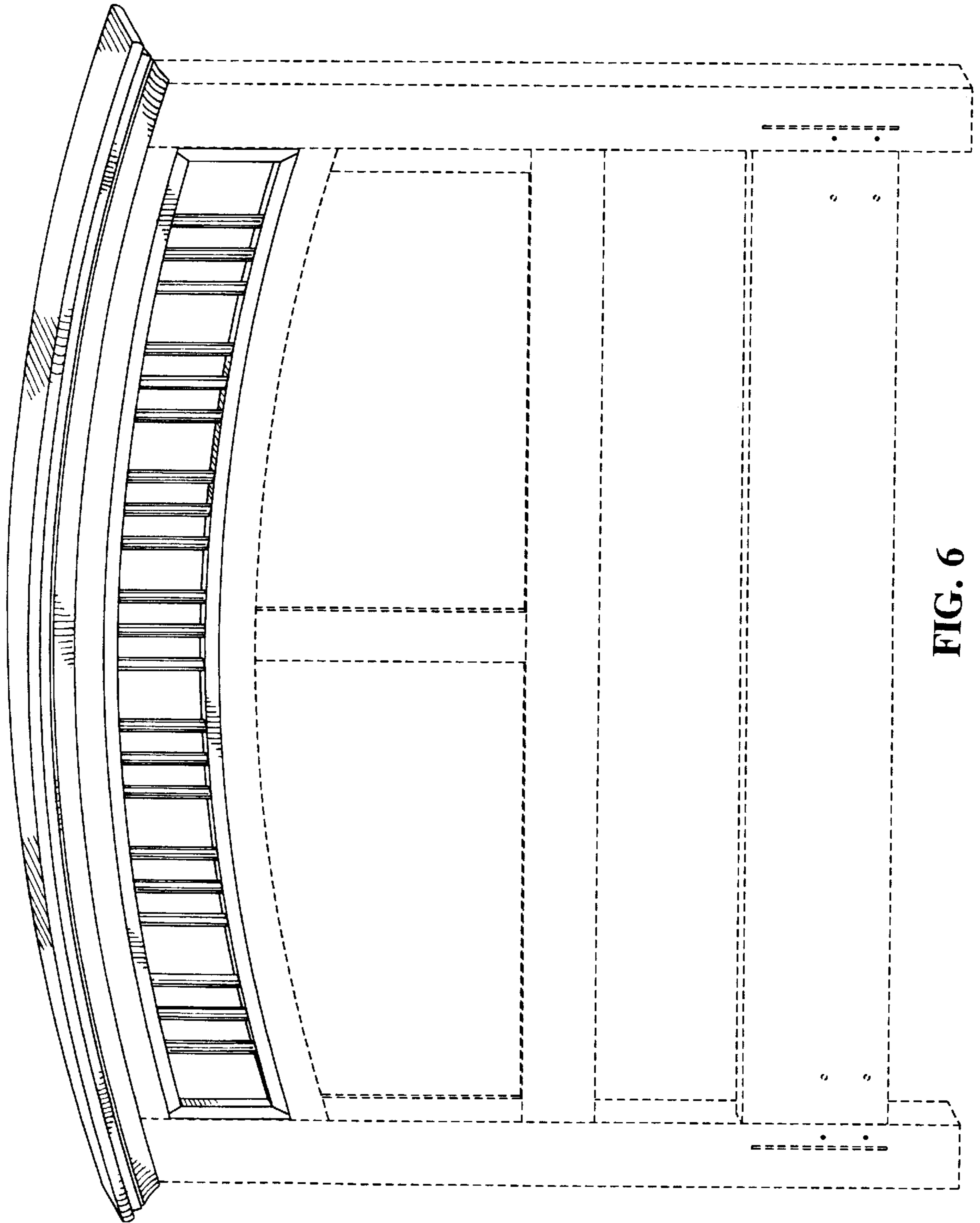


FIG. 6



Fig. 7

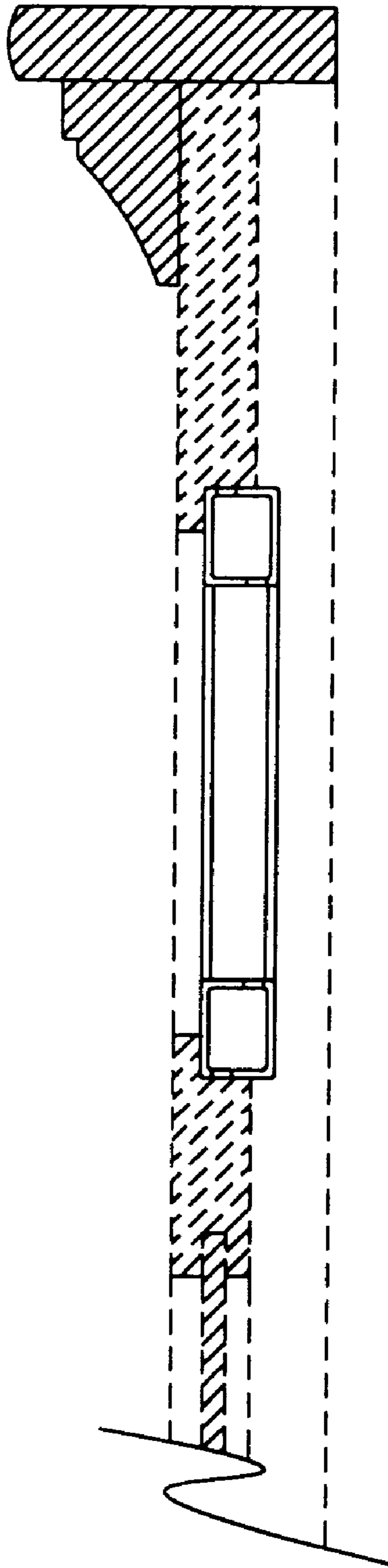


FIG. 8

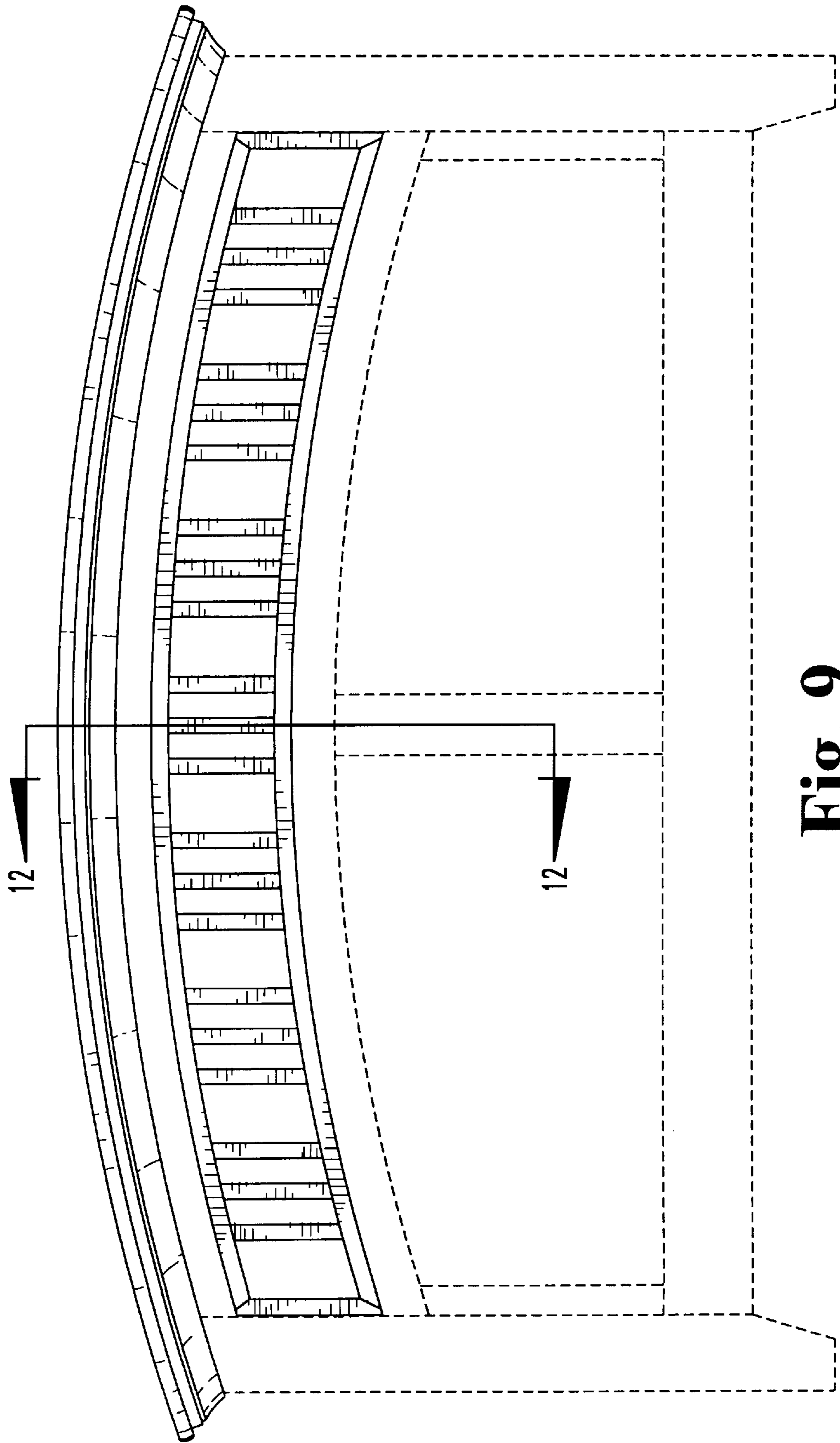


Fig. 9

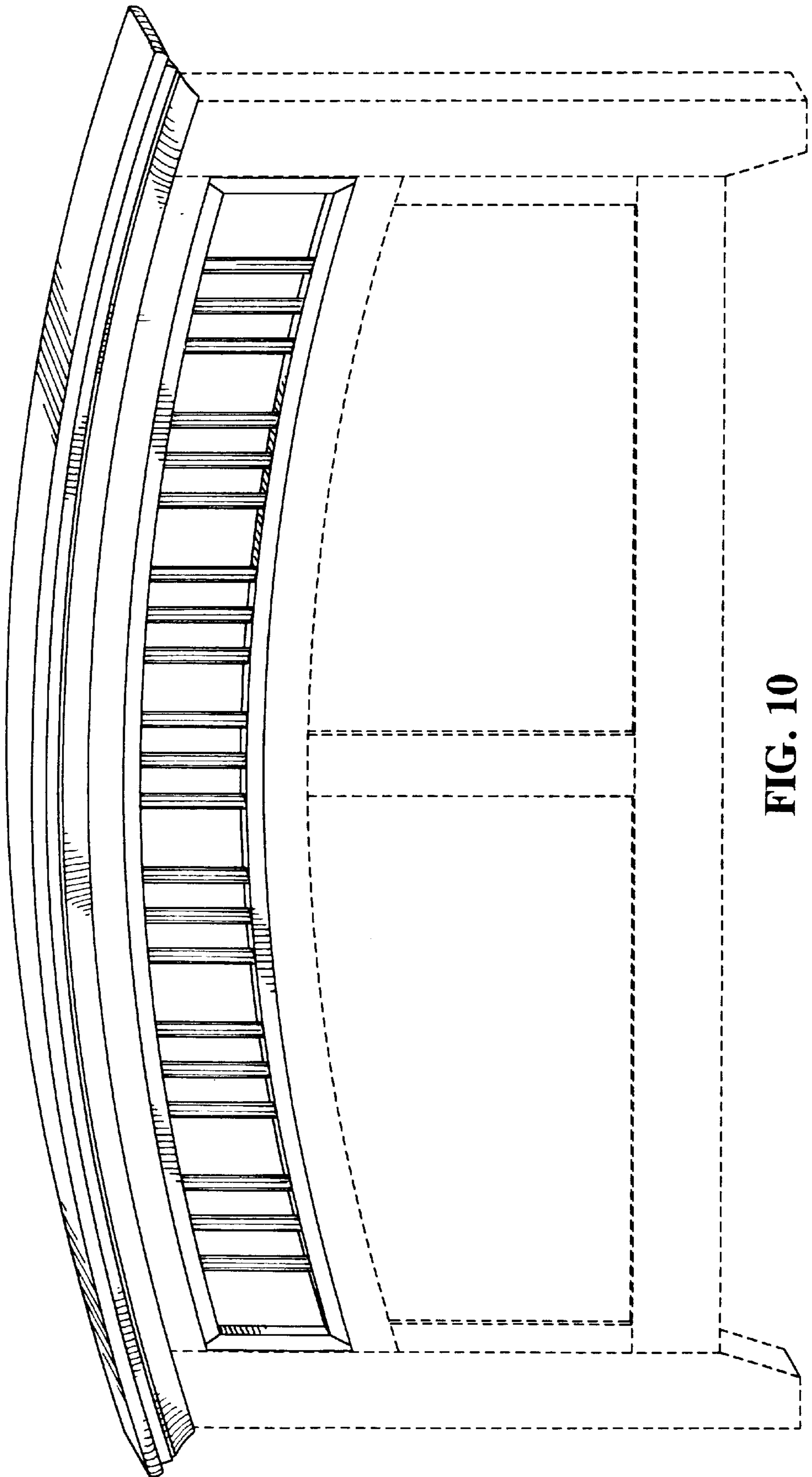


FIG. 10

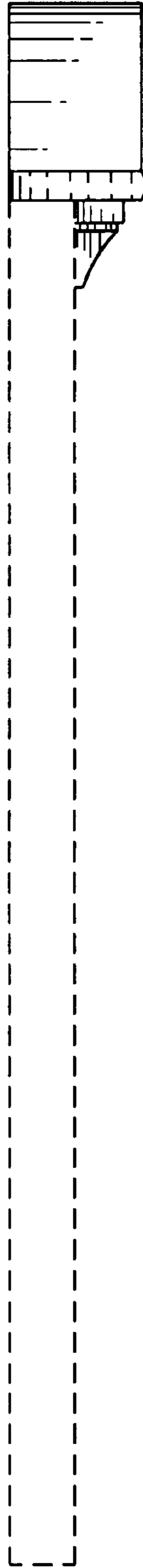


Fig. 11

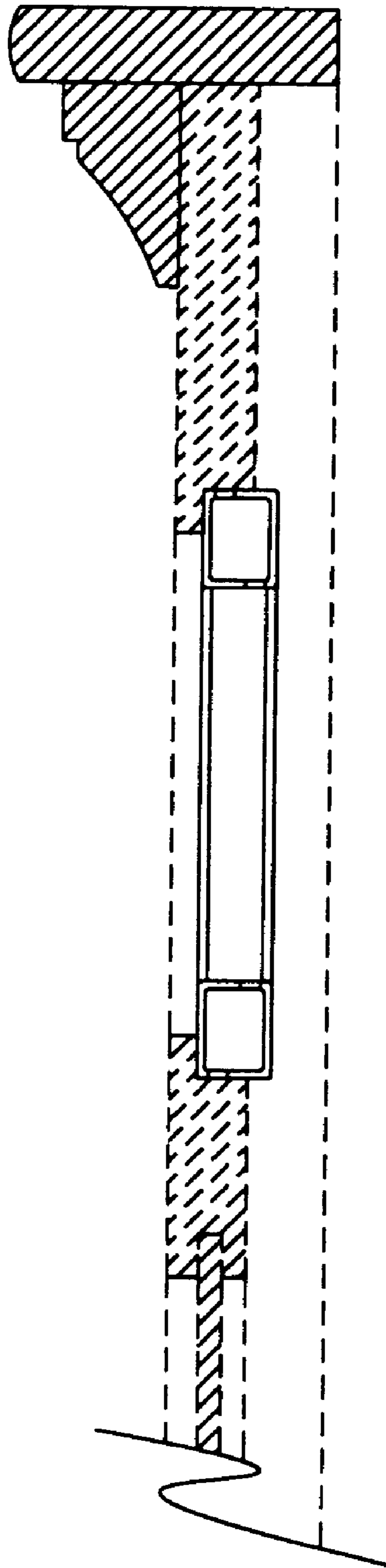


FIG. 12