



US00D429426S

# United States Patent [19] Brandenberg

[11] **Patent Number: Des. 429,426**

[45] **Date of Patent: \*\* Aug. 15, 2000**

[54] **MODULAR DESK BRIDGE**

[76] Inventor: **Carl Brock Brandenburg**, 5800  
Monroe Hwy., Cresson, Tex. 76035

[\*\*] Term: **14 Years**

[21] Appl. No.: **29/116,359**

[22] Filed: **Dec. 30, 1999**

[51] **LOC (7) Cl. .... 06-04**

[52] **U.S. Cl. .... D6/422; D6/477**

[58] **Field of Search** ..... D6/422-428, 480,  
D6/482, 484, 474, 477, 485; 312/194-196,  
204, 208.1; 108/50.01, 50.02

[56] **References Cited**

**U.S. PATENT DOCUMENTS**

D. 88,746	12/1932	Berman	.....	D6/426
D. 201,085	5/1965	Anderson	.....	D6/477
D. 322,184	12/1991	Prevedello et al.	.....	D6/436
D. 365,709	1/1996	Leveen et al.	.....	D6/474

*Primary Examiner*—Janice E. Seeger  
*Attorney, Agent, or Firm*—Melvin A. Hunn

[57] **CLAIM**

The ornamental design for a modular desk bridge, as shown and described.

**DESCRIPTION**

FIG. 1 is a perspective view of the front of the present invention.

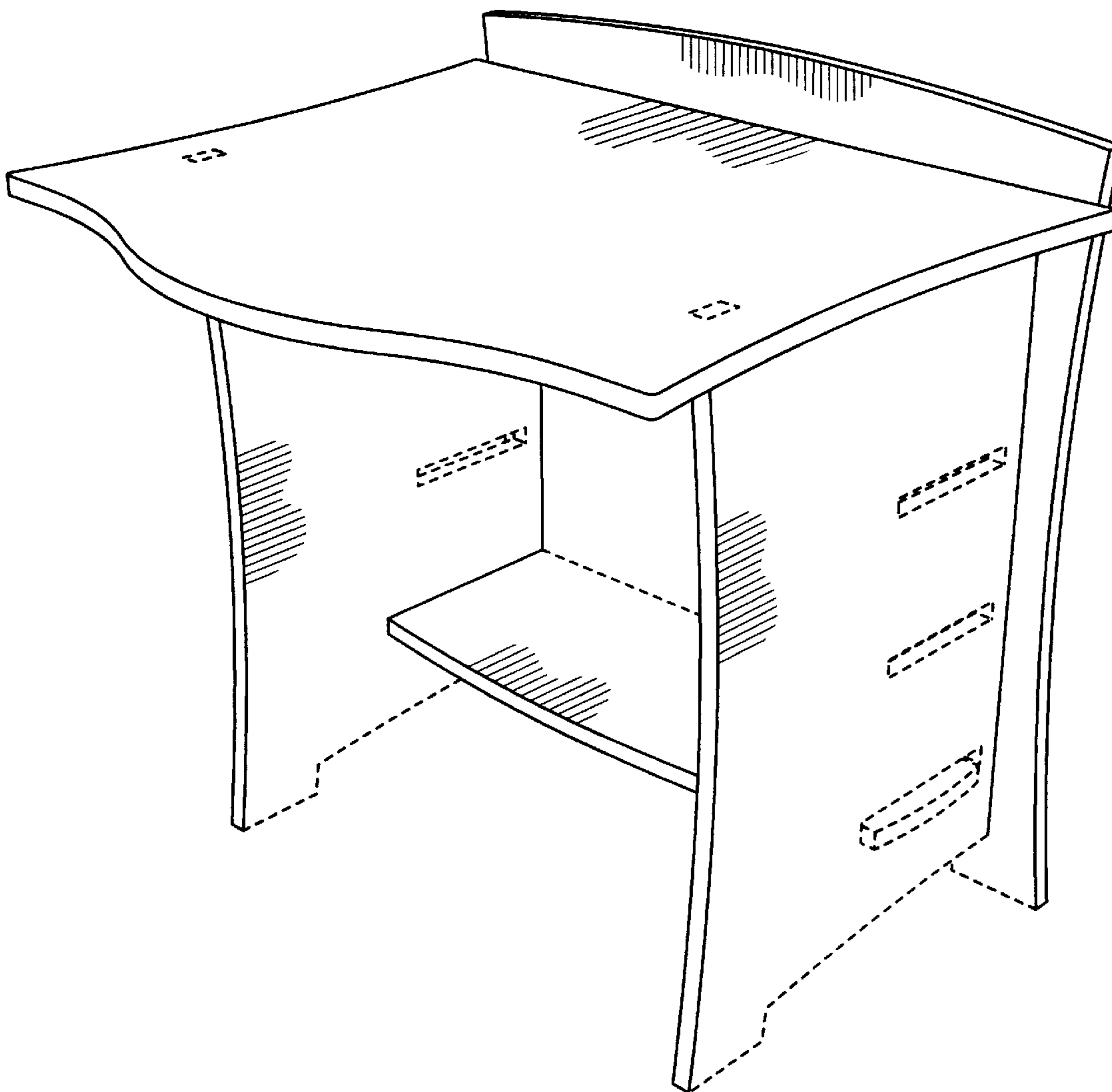
FIG. 2 is a second perspective view of the front of the present invention.

FIG. 3 is a perspective view of the rear of the present invention; and,

FIG. 4 is a perspective view from beneath the front of the present invention.

The broken line structure shown in FIGS. 1, 2, 3, and 4 is for illustrative purposes only and forms no part of the claimed design.

**1 Claim, 4 Drawing Sheets**



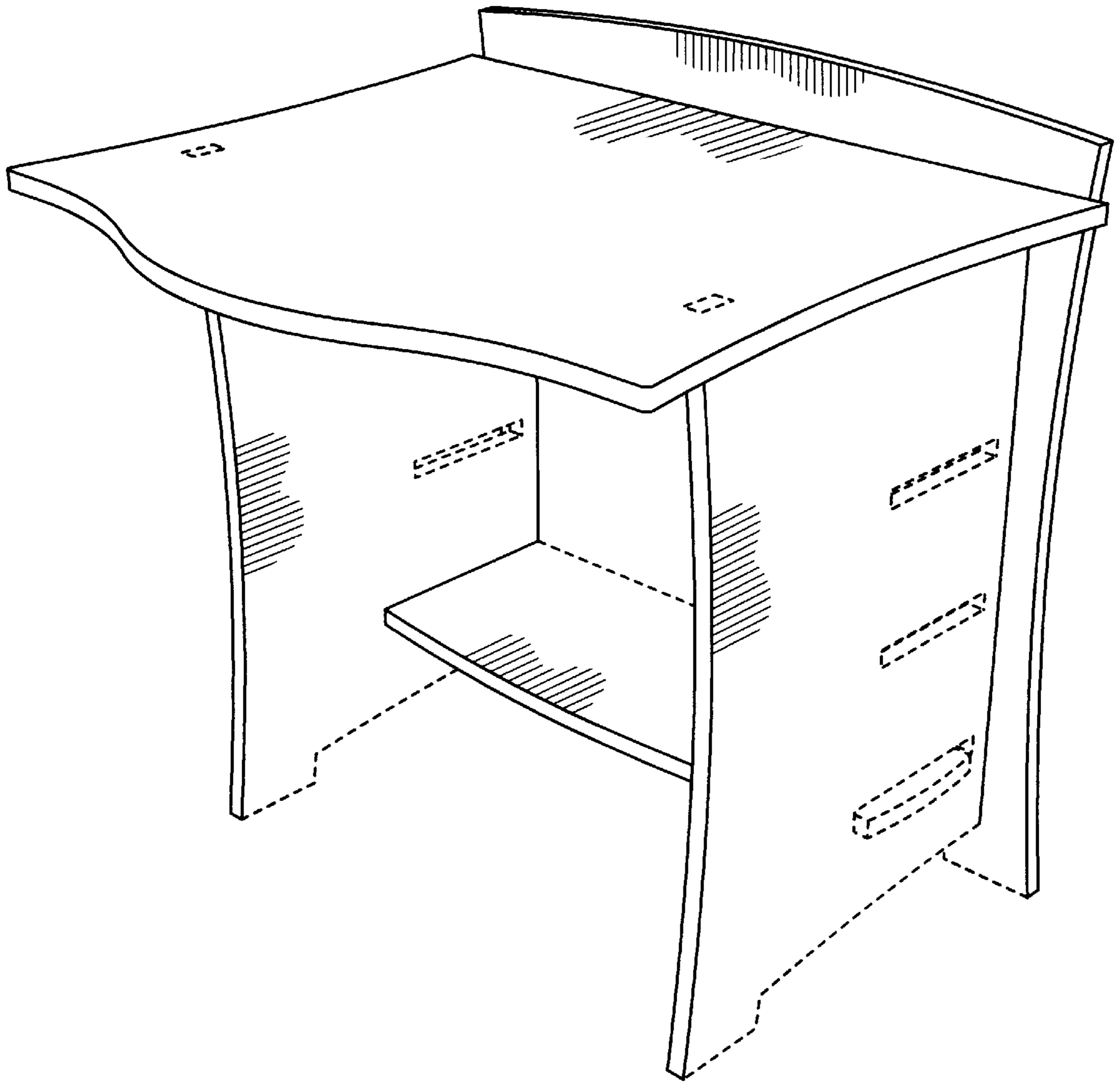


FIG. 1

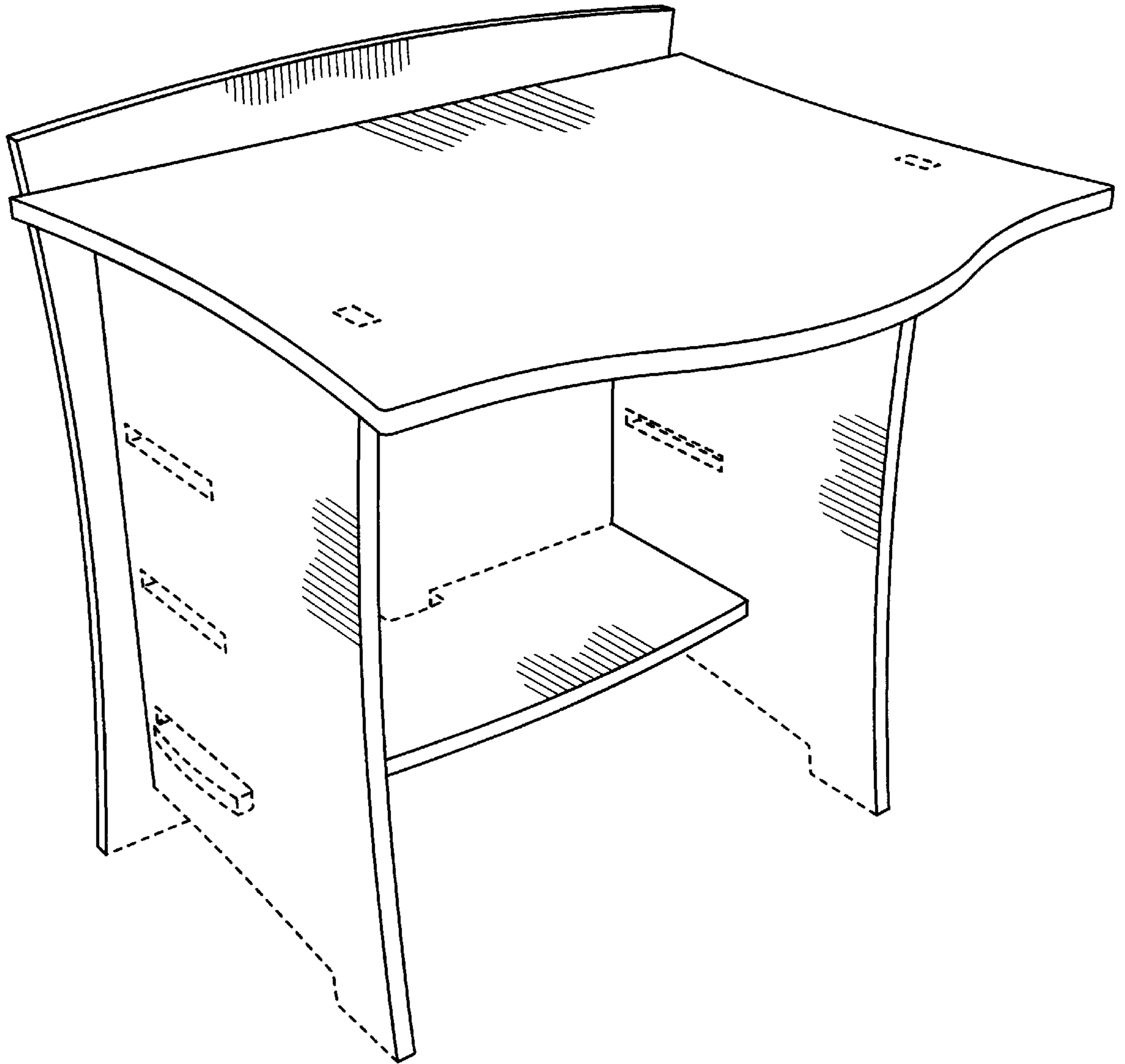


FIG. 2

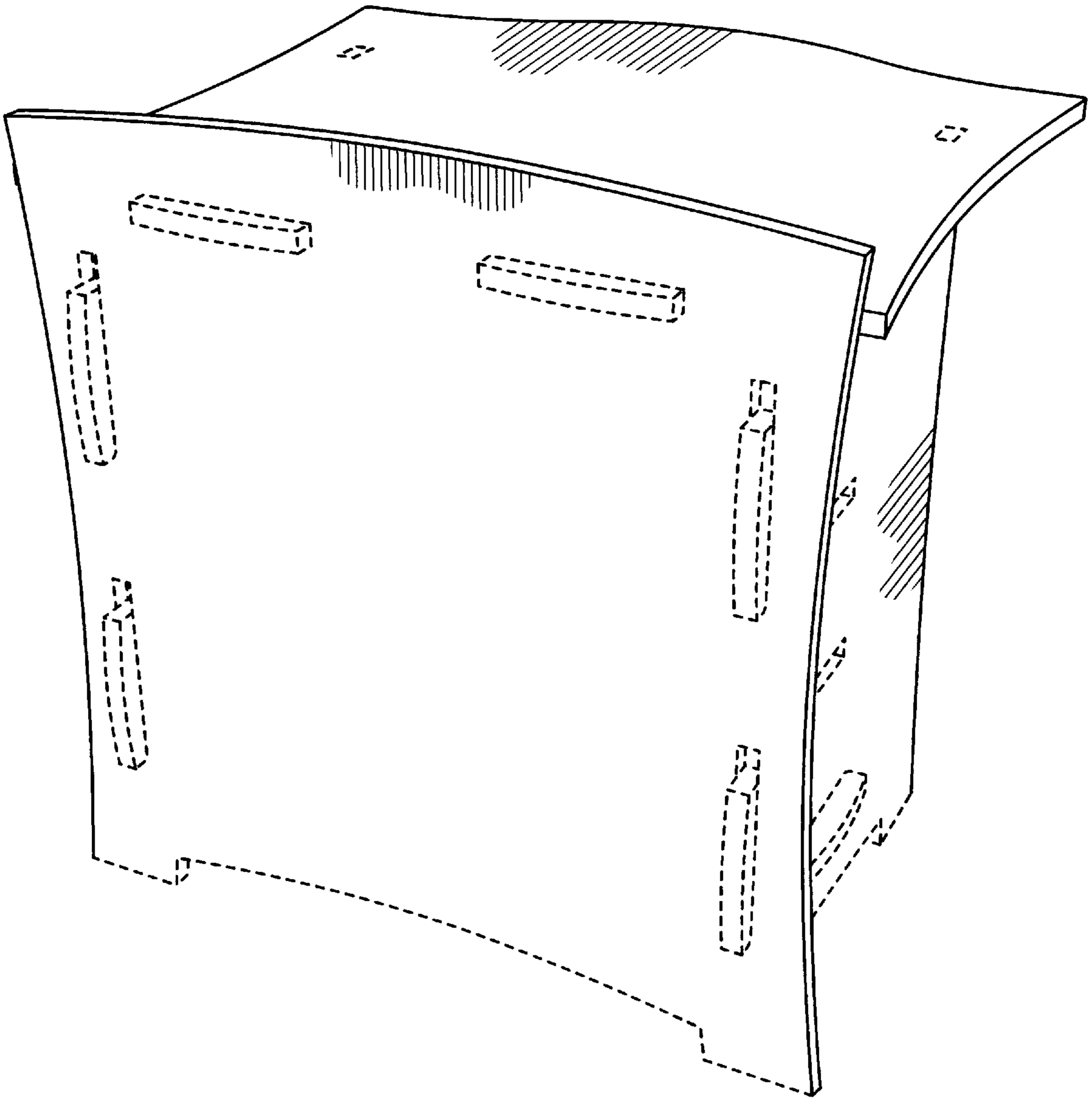


FIG. 3

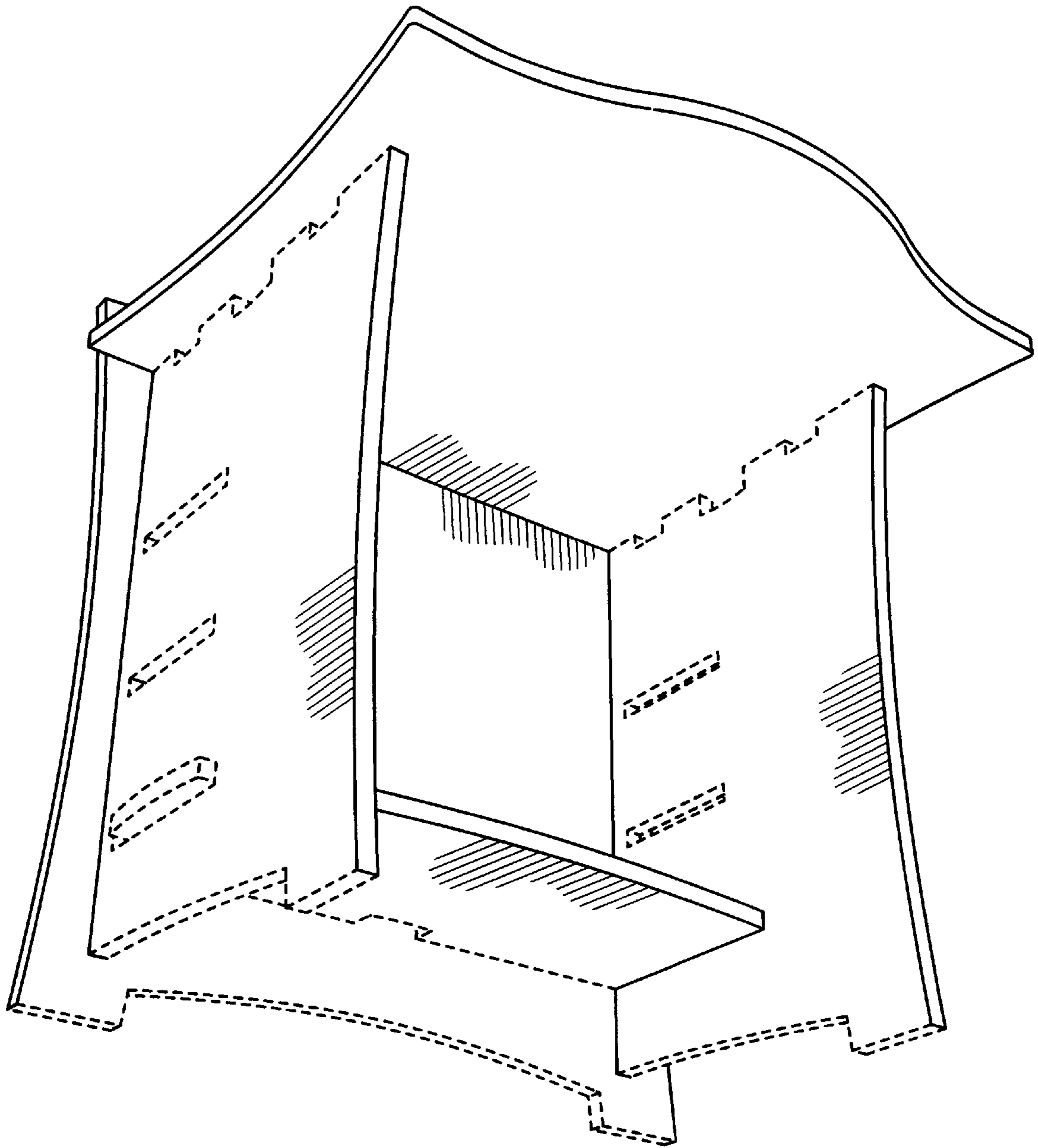


FIG. 4