



US00D429423S

United States Patent [19]

Van Rhienen

[11] Patent Number: **Des. 429,423**

[45] Date of Patent: **** Aug. 15, 2000**

[54] **STACKABLE CHAIR WITH ENCLOSED SIDES**

[75] Inventor: **Alphons Van Rhienen**, Schoten, Belgium

[73] Assignee: **Euro United Corporation**, Oakville, Canada

[**] Term: **14 Years**

[21] Appl. No.: **29/104,925**

[22] Filed: **May 13, 1999**

Related U.S. Application Data

[62] Division of application No. 29/094,202, Sep. 28, 1998, Pat. No. Des. 413,450.

Foreign Application Priority Data

Aug. 6, 1998 [CA] Canada 1998-1881

[51] **LOC (7) Cl.** **06-01**

[52] **U.S. Cl.** **D6/374; D6/379**

[58] **Field of Search** D6/334, 370, 374, D6/375, 379, 380, 500, 501, 502; 297/239, 411.42, DIG. 2

References Cited

U.S. PATENT DOCUMENTS

D. 117,267 10/1939 Goldberg D6/374

D. 141,648	6/1945	Bannister	D6/374
D. 234,064	1/1975	Node et al.	D6/379
D. 234,240	2/1975	Node et al.	D6/379
D. 274,770	7/1984	Massonnet	D6/375
D. 311,460	10/1990	Greene	D6/379
D. 331,324	12/1992	Grosfillex	D6/375
D. 332,531	1/1993	Guion	D6/379
D. 352,613	11/1994	Kelly	D6/370
D. 356,697	3/1995	Kelly et al.	D6/370
D. 360,537	7/1995	VanSkiver	D6/370
D. 362,977	10/1995	Battaglia	D6/375
D. 373,255	9/1996	Gresens	D6/379
D. 413,450	9/1999	Van Rhienen	D6/370

Primary Examiner—Gary D. Watson
Attorney, Agent, or Firm—Barrigar & Moss

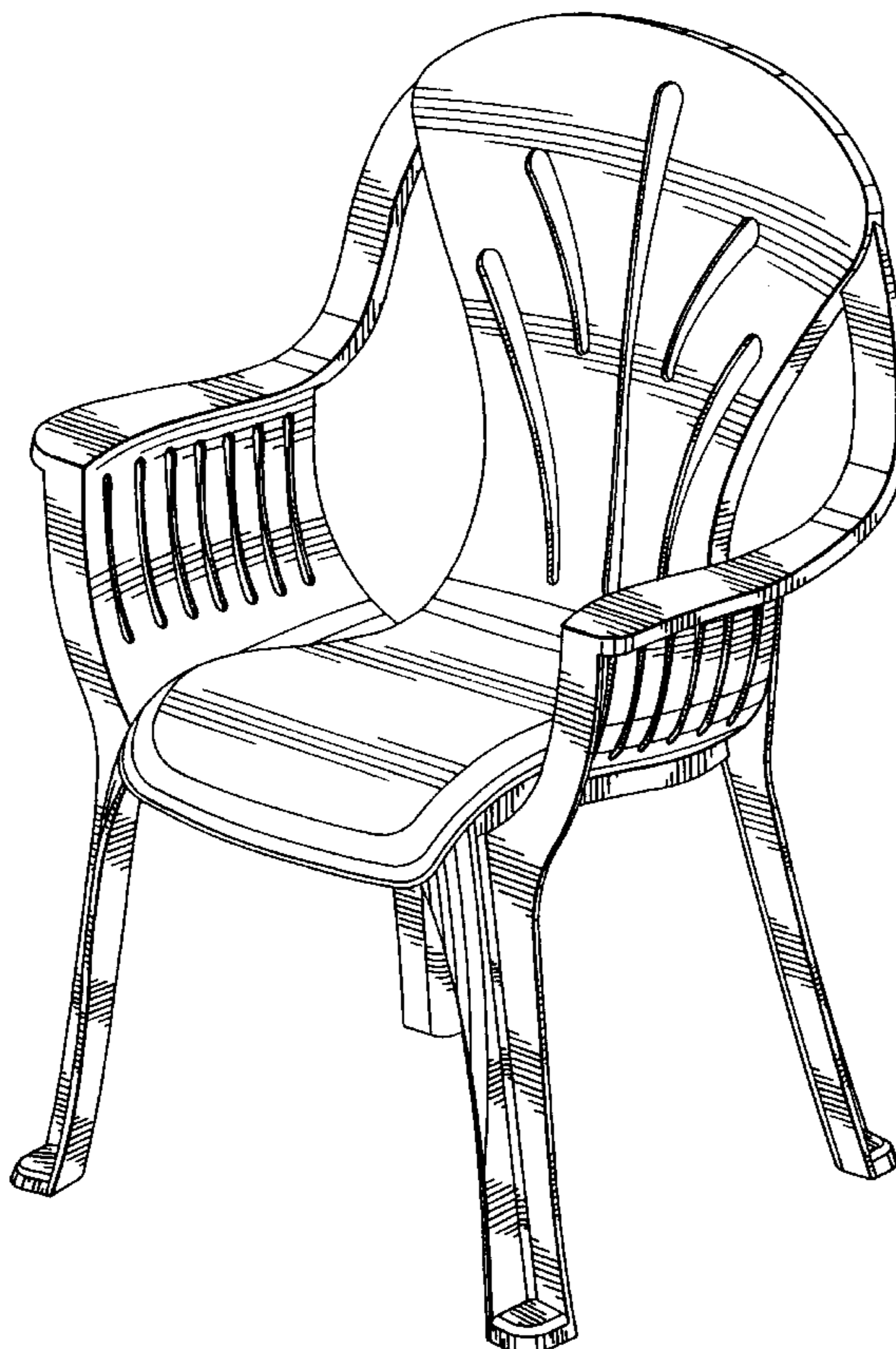
[57] CLAIM

The ornamental design for stackable chair with enclosed sides, as shown and described.

DESCRIPTION

FIG. 1 is a perspective view of a stackable chair with enclosed sides taken from above and showing the left side thereof; FIG. 2 is a front view of the chair of FIG. 1; FIG. 3 is a rear view of the chair of FIG. 1; FIG. 4 is a right side view of the chair of FIG. 1; and, FIG. 5 is a top plan view of the chair of FIG. 1. FIGS. 2 through 5 have been shown on a reduced scale with respect to FIG. 1.

1 Claim, 3 Drawing Sheets



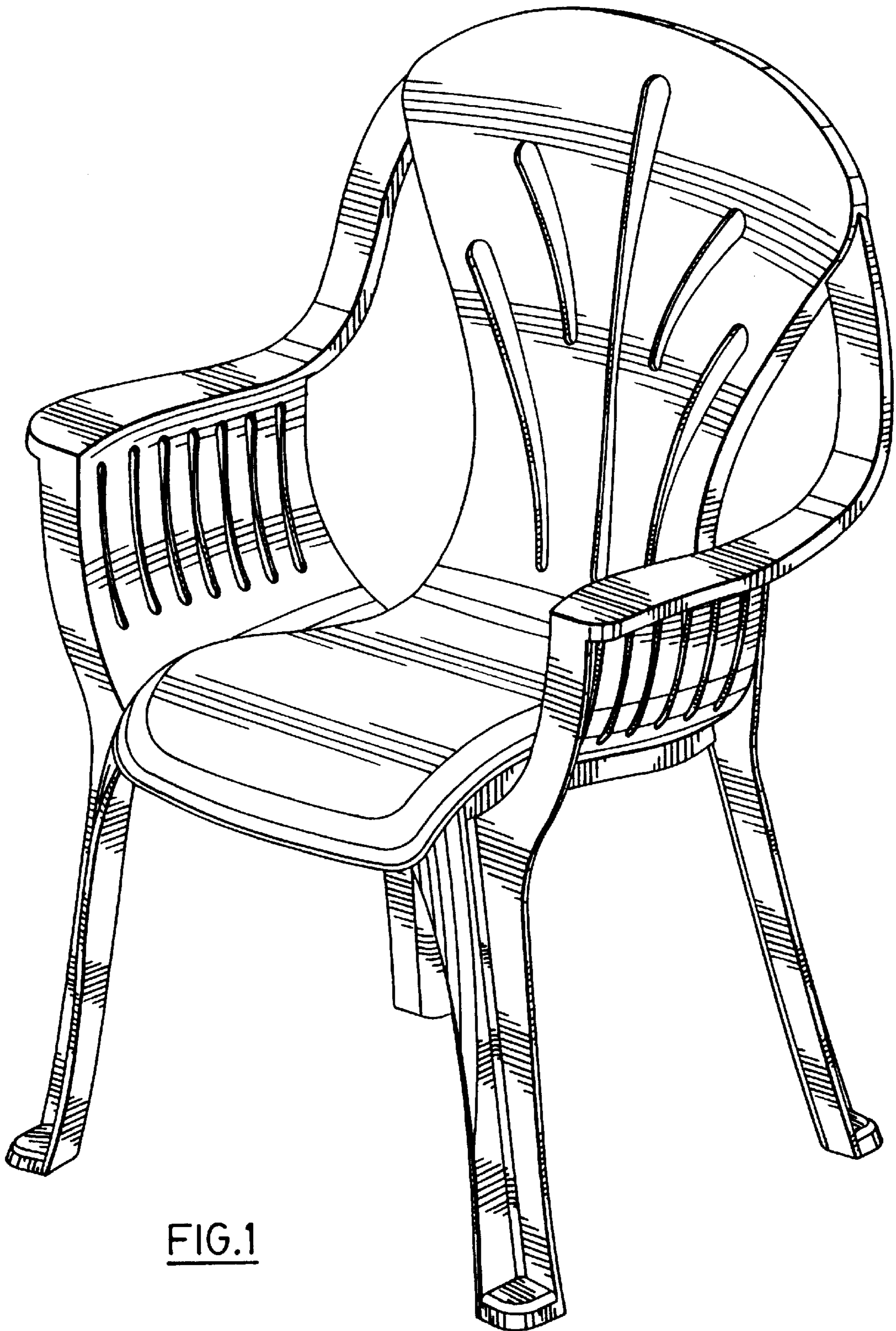
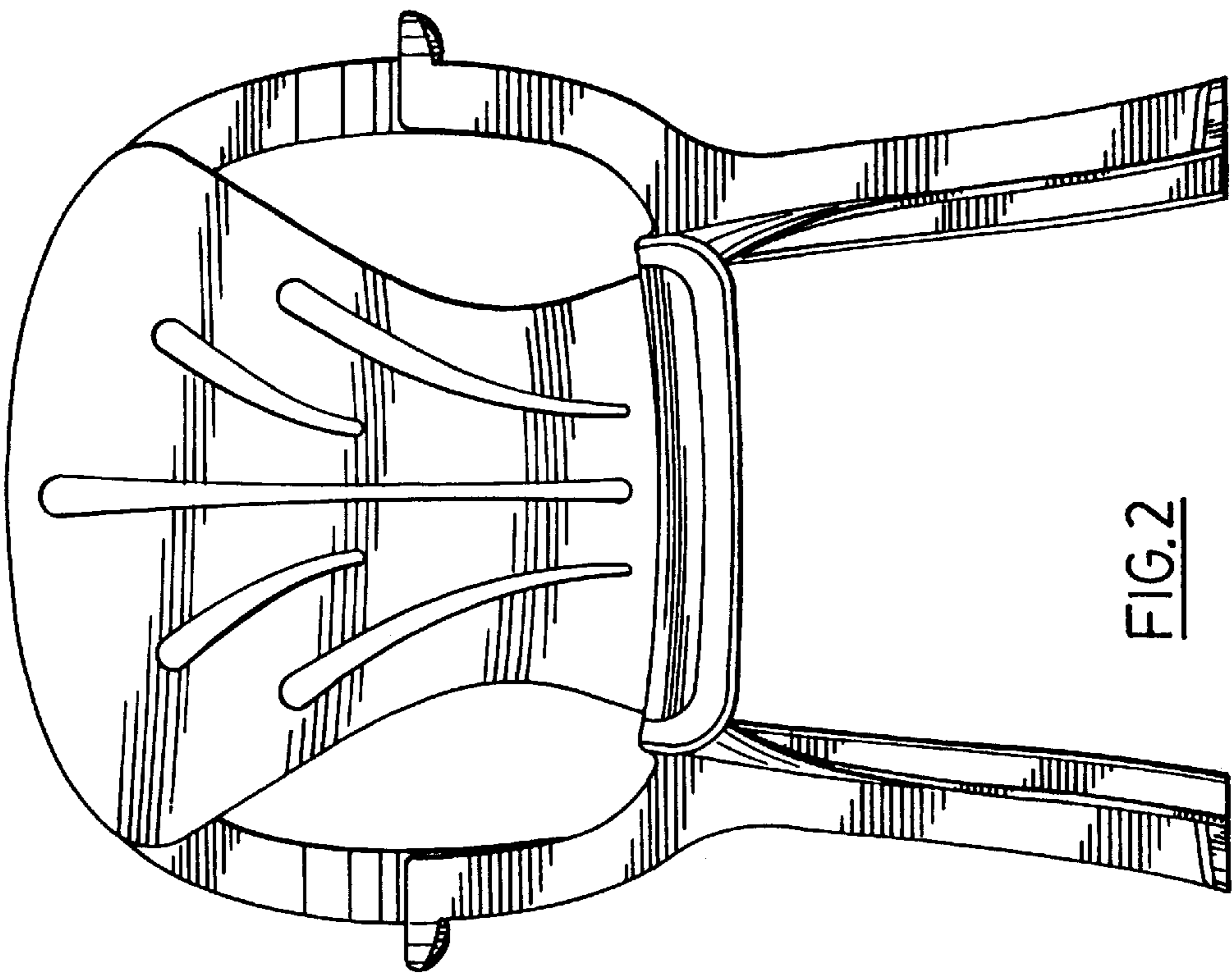
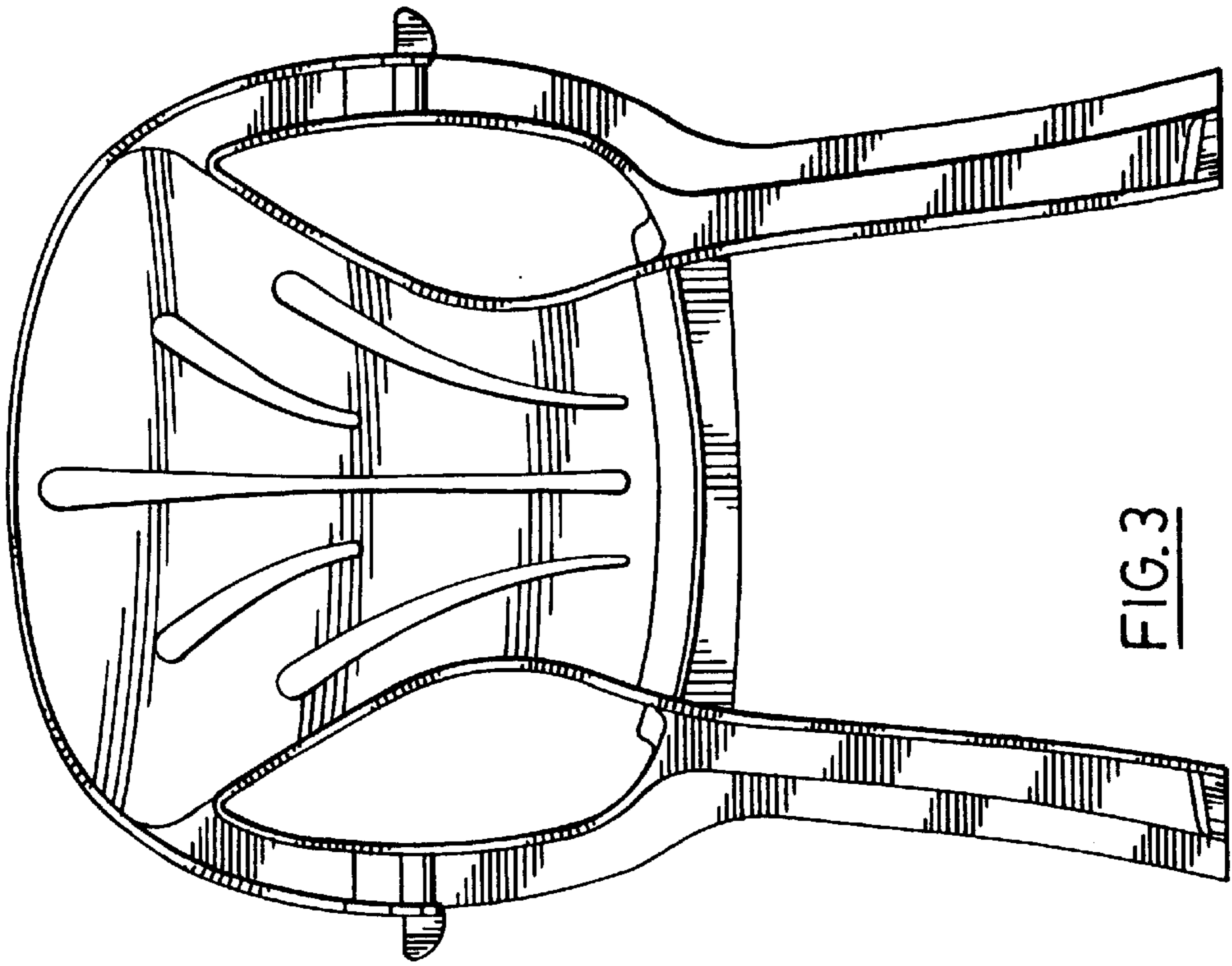


FIG. 1



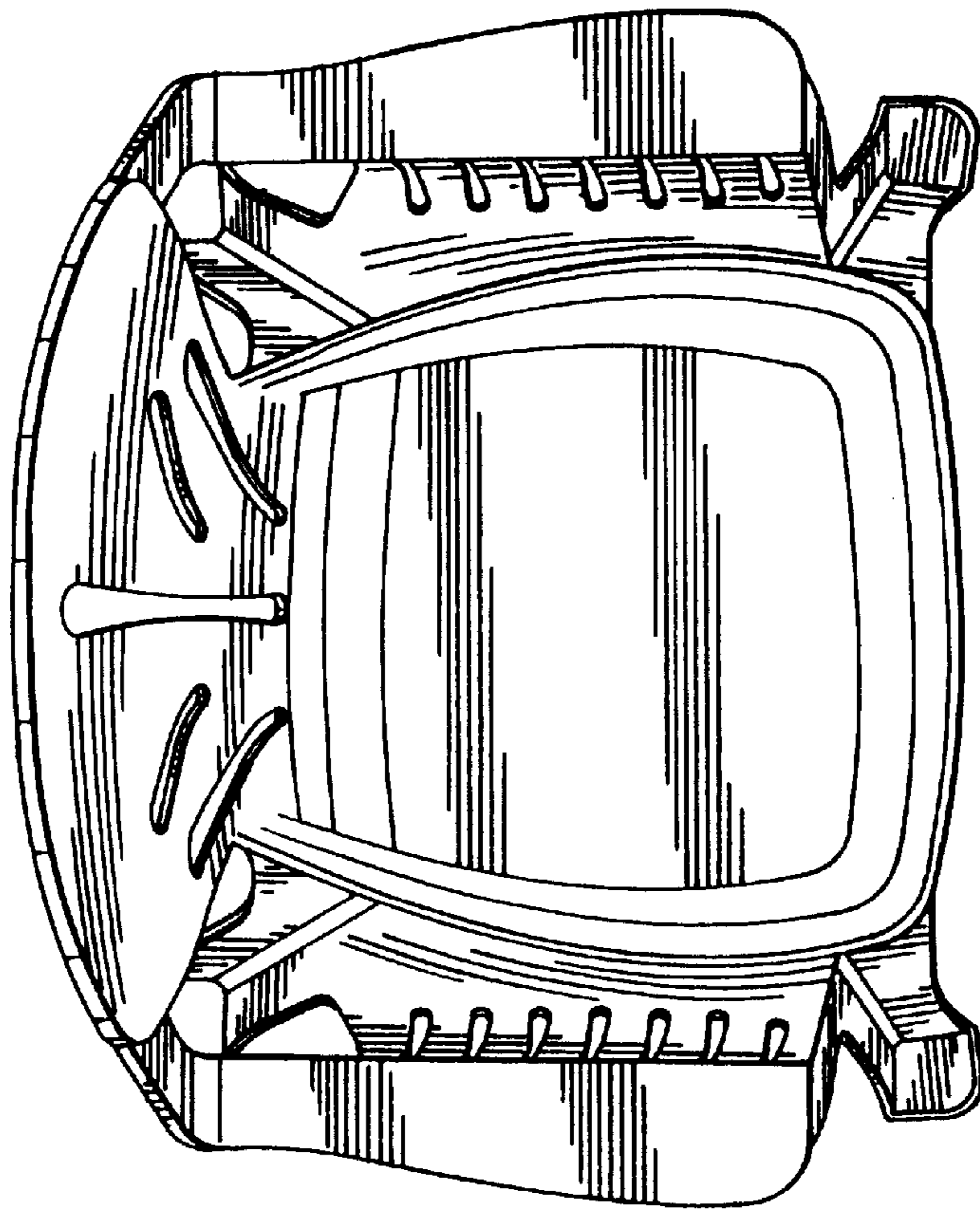


FIG. 5

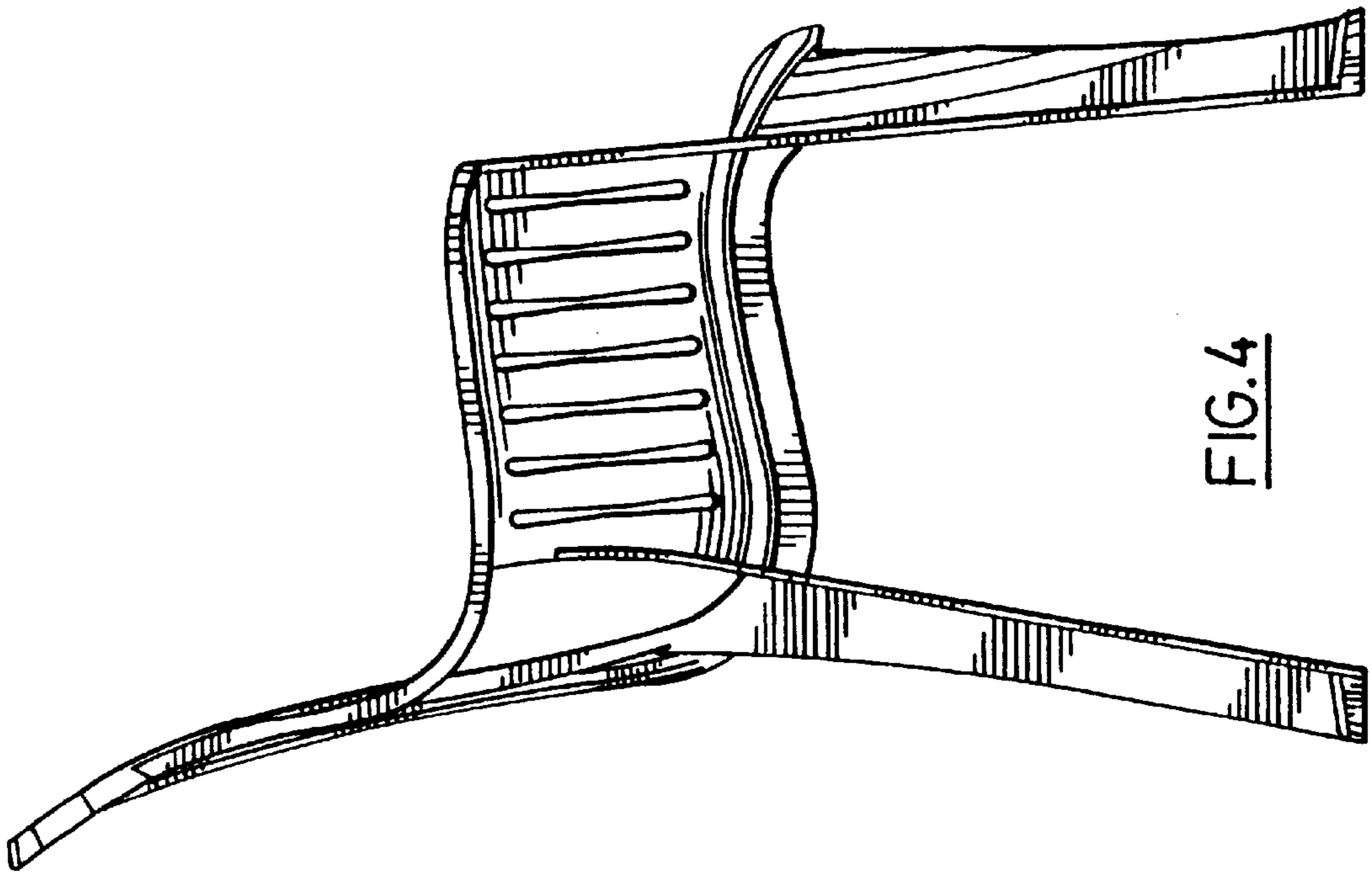


FIG. 4