



US00D429422S

# United States Patent [19]

De Lucchi et al.

[11] Patent Number: Des. 429,422

[45] Date of Patent: \*\* Aug. 15, 2000

[54] CHAIR

[75] Inventors: **Michele De Lucchi**, Angera, Italy;  
**Gerhard Reichert**, Meersburg,  
Germany

[73] Assignee: **Mauser Office GmbH**, Korbach,  
Germany

[\*\*] Term: 14 Years

[21] Appl. No.: 29/103,591

[22] Filed: Apr. 16, 1999

### [30] Foreign Application Priority Data

Oct. 21, 1998 [DE] Germany ..... 498 10 600

[51] LOC (7) Cl. .... 06-01

[52] U.S. Cl. .... D6/366

[58] Field of Search ..... D6/334, 335, 364,  
D6/365, 366, 367, 500, 501, 502; 297/411.2,  
411.27

### [56] References Cited

#### U.S. PATENT DOCUMENTS

D. 274,769 7/1984 Klier ..... D6/366

D. 308,605	6/1990	Vecker et al. ....	D6/366
D. 328,980	9/1992	Buchacz .....	D6/366
D. 345,866	4/1994	Barker .....	D6/366
D. 358,944	6/1995	Citterio .....	D6/366
D. 388,258	12/1997	Ambasz .....	D6/366
D. 410,799	6/1999	Meda .....	D6/366
D. 418,316	1/2000	Vogtherr .....	D6/366

Primary Examiner—Gary D. Watson  
Attorney, Agent, or Firm—Herbert Dubno

### [57] CLAIM

The ornamental design for a chair, as shown and described.

### DESCRIPTION

FIG. 1 is a top front left side perspective view of a chair showing our new design;  
FIG. 2 is a left side perspective view thereof, the right side being mirror symmetrical thereto;  
FIG. 3 is a front perspective view thereof;  
FIG. 4 is a rear perspective view thereof;  
FIG. 5 is a top perspective view thereof; and,  
FIG. 6 is a bottom perspective view thereof.

1 Claim, 6 Drawing Sheets

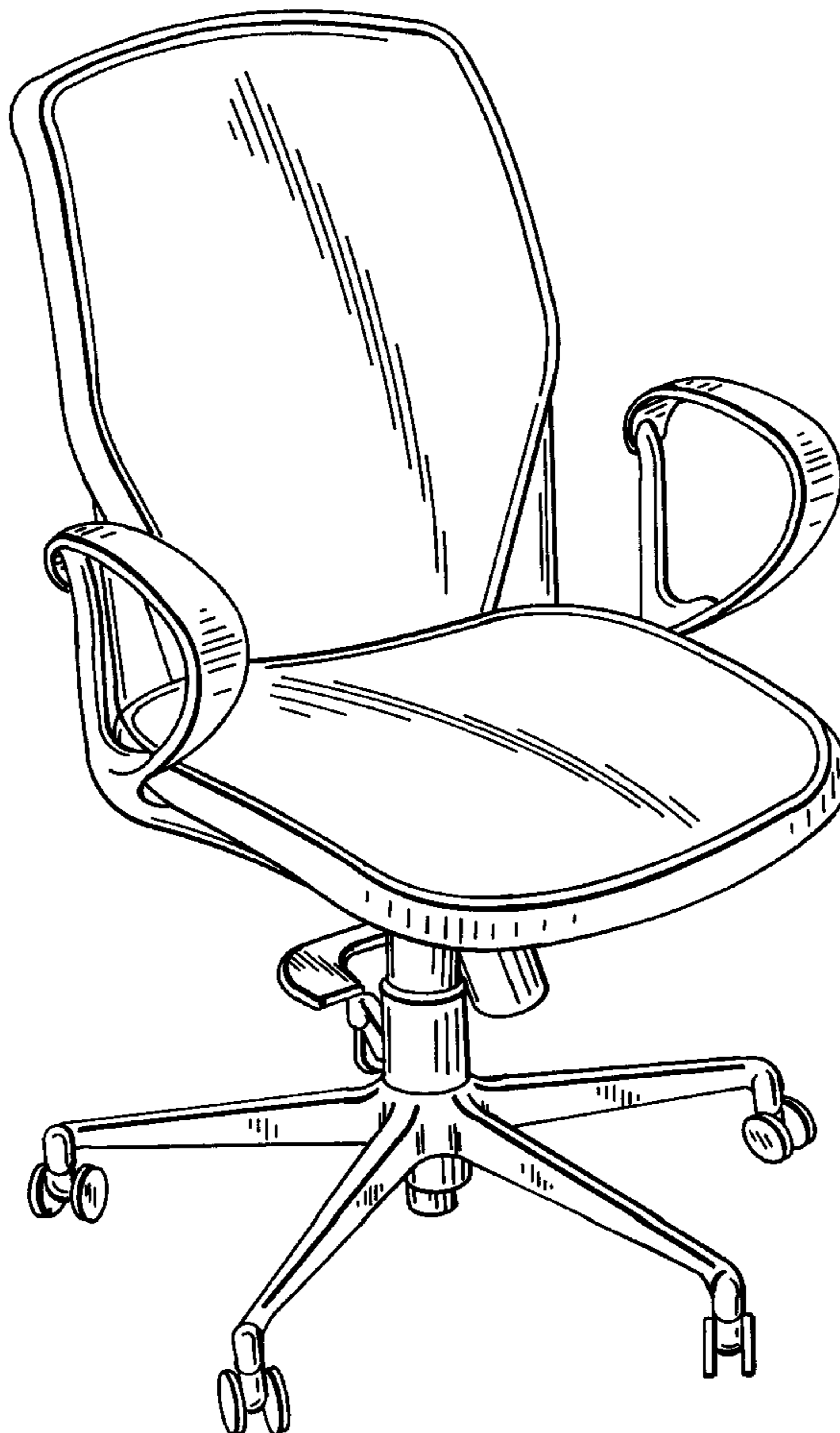


FIG. 1

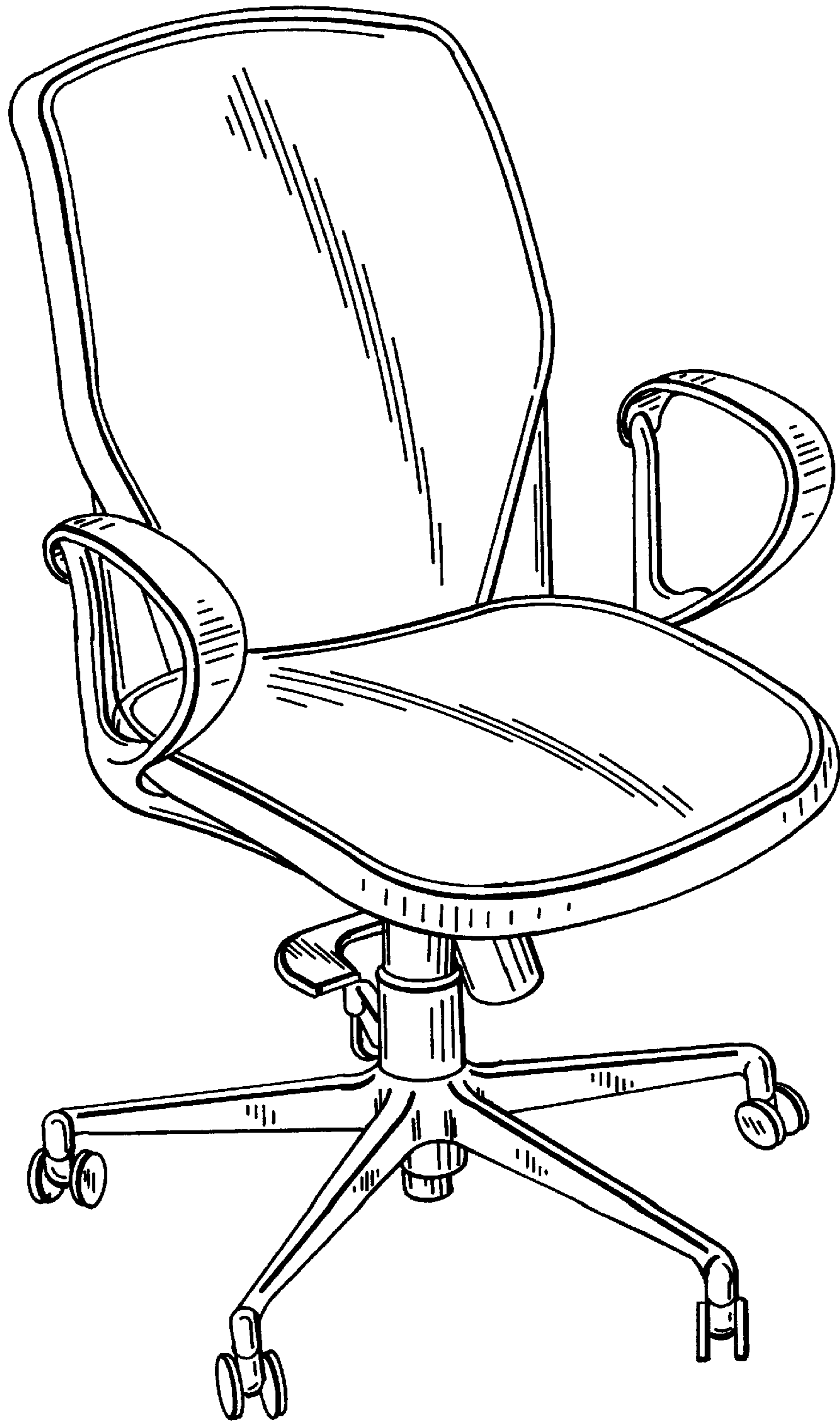


FIG. 2

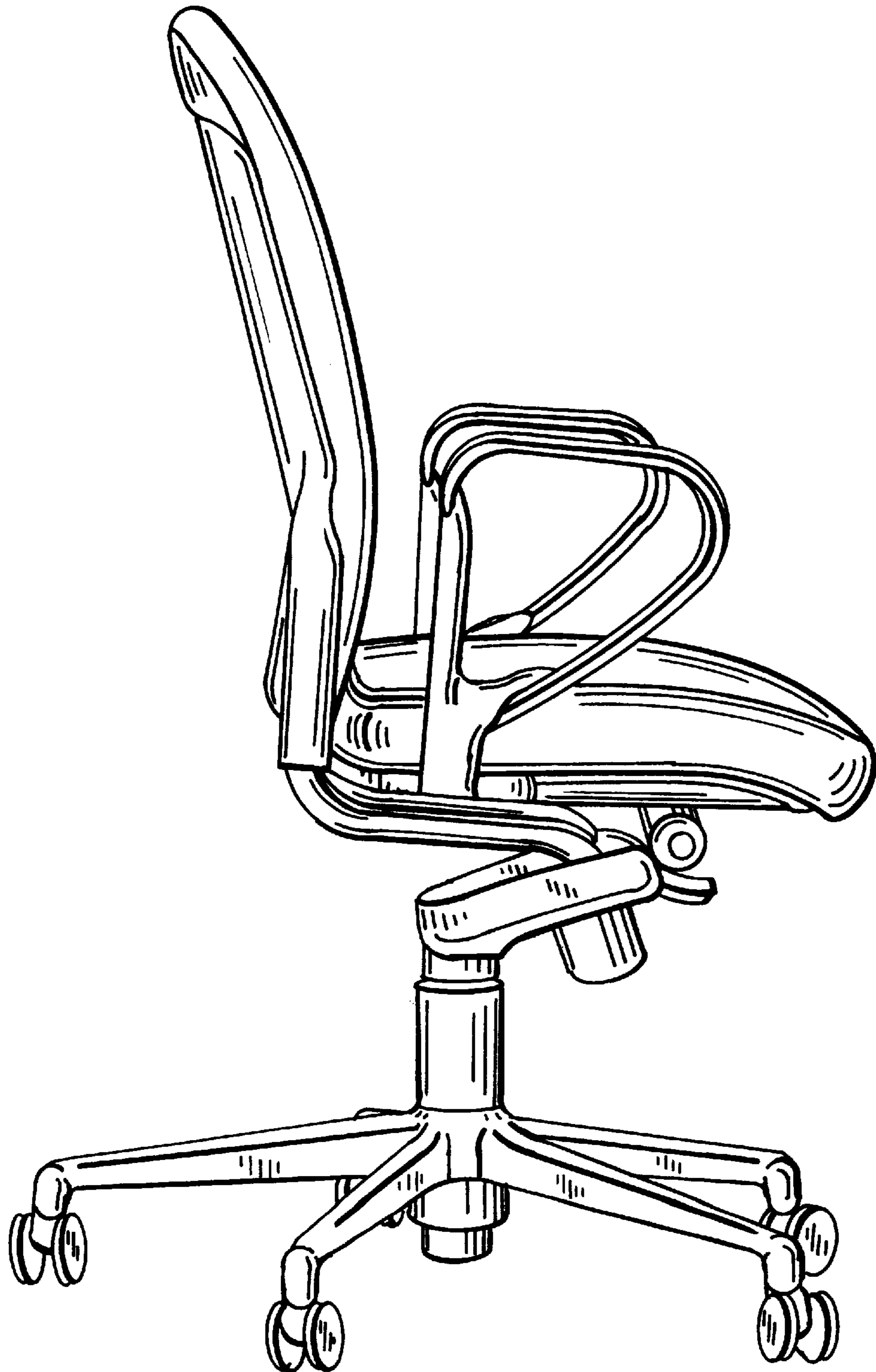


FIG. 3

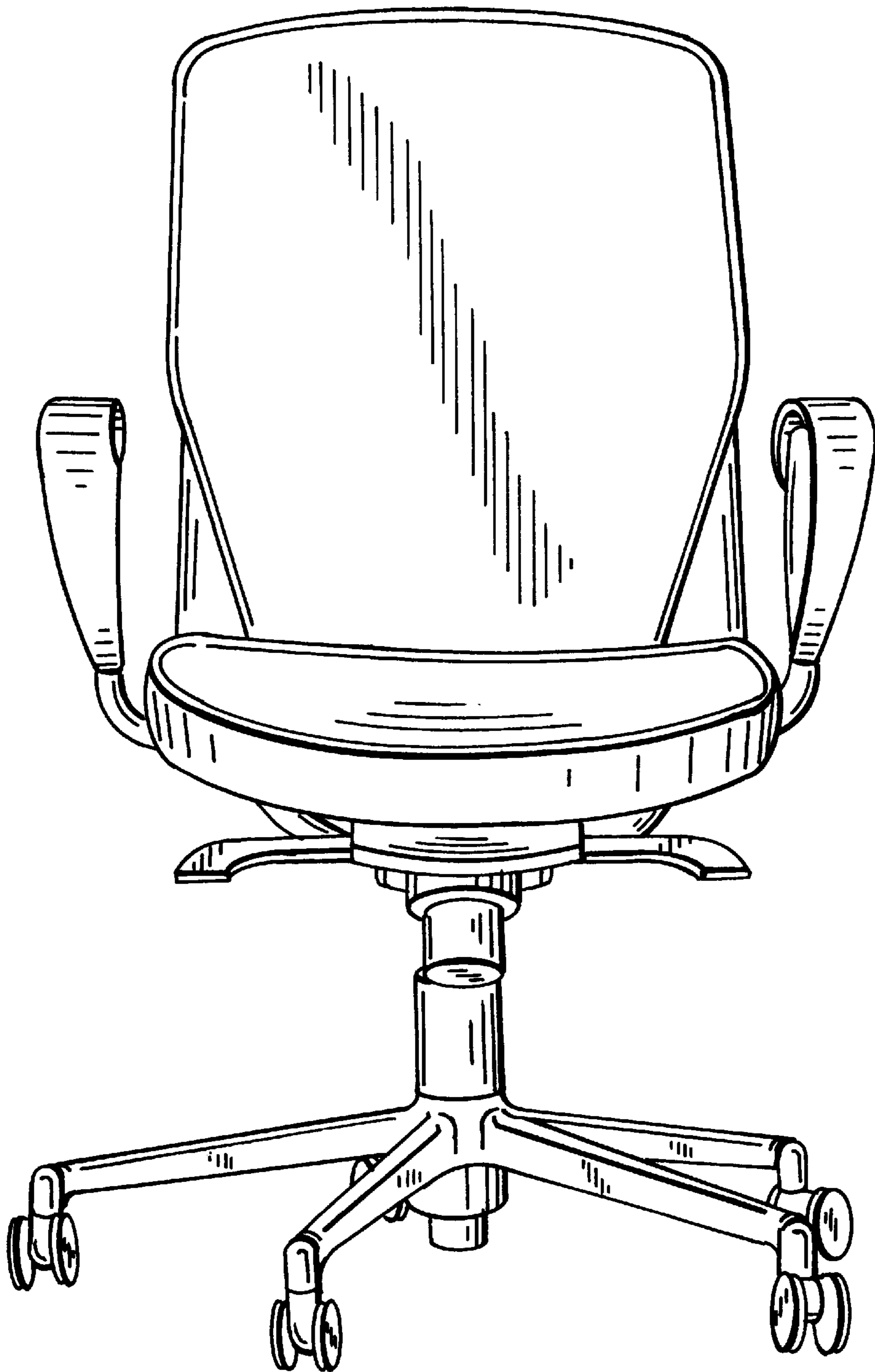


FIG. 4

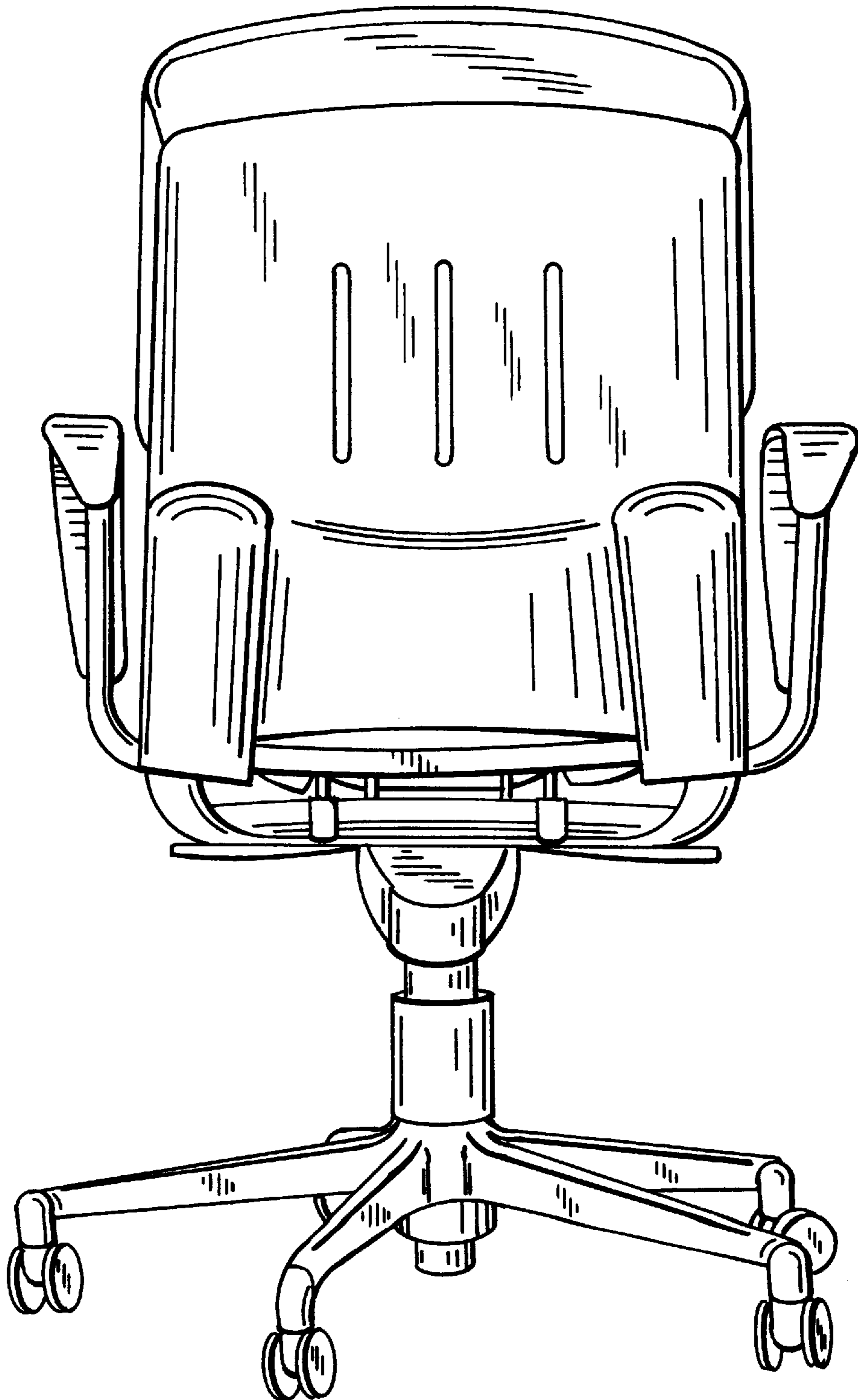


FIG. 5

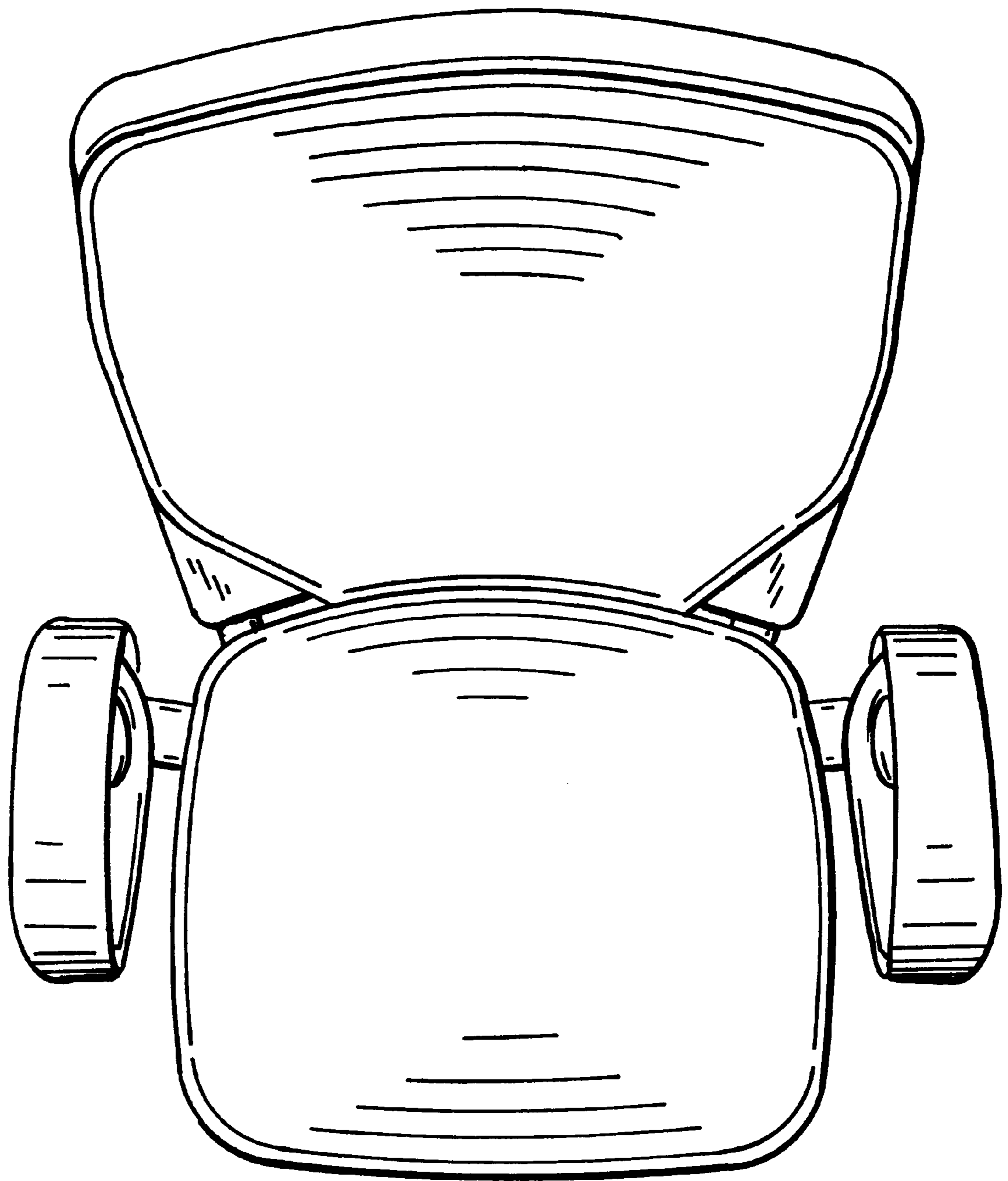


FIG. 6

