



US00D429419S

# United States Patent [19] Barraco

[11] Patent Number: Des. 429,419

[45] Date of Patent: \*\* Aug. 15, 2000

[54] SUITCASE COVER

[76] Inventor: Anne P. Barraco, 25050 23 Mile Rd.,  
Chesterfield, Mich. 48051

[\*\*] Term: 14 Years

[21] Appl. No.: 29/104,816

[22] Filed: May 10, 1999

[51] LOC (7) Cl. .... 03-99

[52] U.S. Cl. .... D3/318

[58] Field of Search ..... D3/318, 321, 290;  
150/154; 224/250; 190/119, 124-127; 428/102,  
76, 81; 52/5

[56] **References Cited**

U.S. PATENT DOCUMENTS

D. 316,483	4/1991	Haack	.....	D3/321
D. 316,485	4/1991	Seber	.....	D3/105
D. 338,559	8/1993	Mainwaring et al.	.....	D3/318
D. 340,580	10/1993	Hirschy	.....	D3/321
D. 387,905	12/1997	Powell	.....	D3/281
2,436,237	2/1948	Brandt	.....	150/154
2,455,237	11/1948	Davis	.....	150/154
3,901,360	8/1975	Cook	.	
4,180,284	12/1979	Ashley	.	
4,307,765	12/1981	Davis	.	
4,674,797	6/1987	DeVera	.....	150/154

4,682,447	7/1987	Osborn	.	
4,700,818	10/1987	Orwin	.	
4,881,684	11/1989	Chinman	.....	190/119
5,058,959	10/1991	Miles et al.	.	
5,255,765	10/1993	Schrecongost	.	
5,547,051	8/1996	Bartscht et al.	.	
5,707,082	1/1998	Murphy	.	
5,810,223	9/1998	Heim	.....	224/250
5,817,393	10/1998	Stahl	.....	428/102

Primary Examiner—Louis S. Zarfaz  
Assistant Examiner—Robert A. Delehanty  
Attorney, Agent, or Firm—Gifford, Krass, Groh, Sprinkle,  
Anderson & Citkowski, P.C.

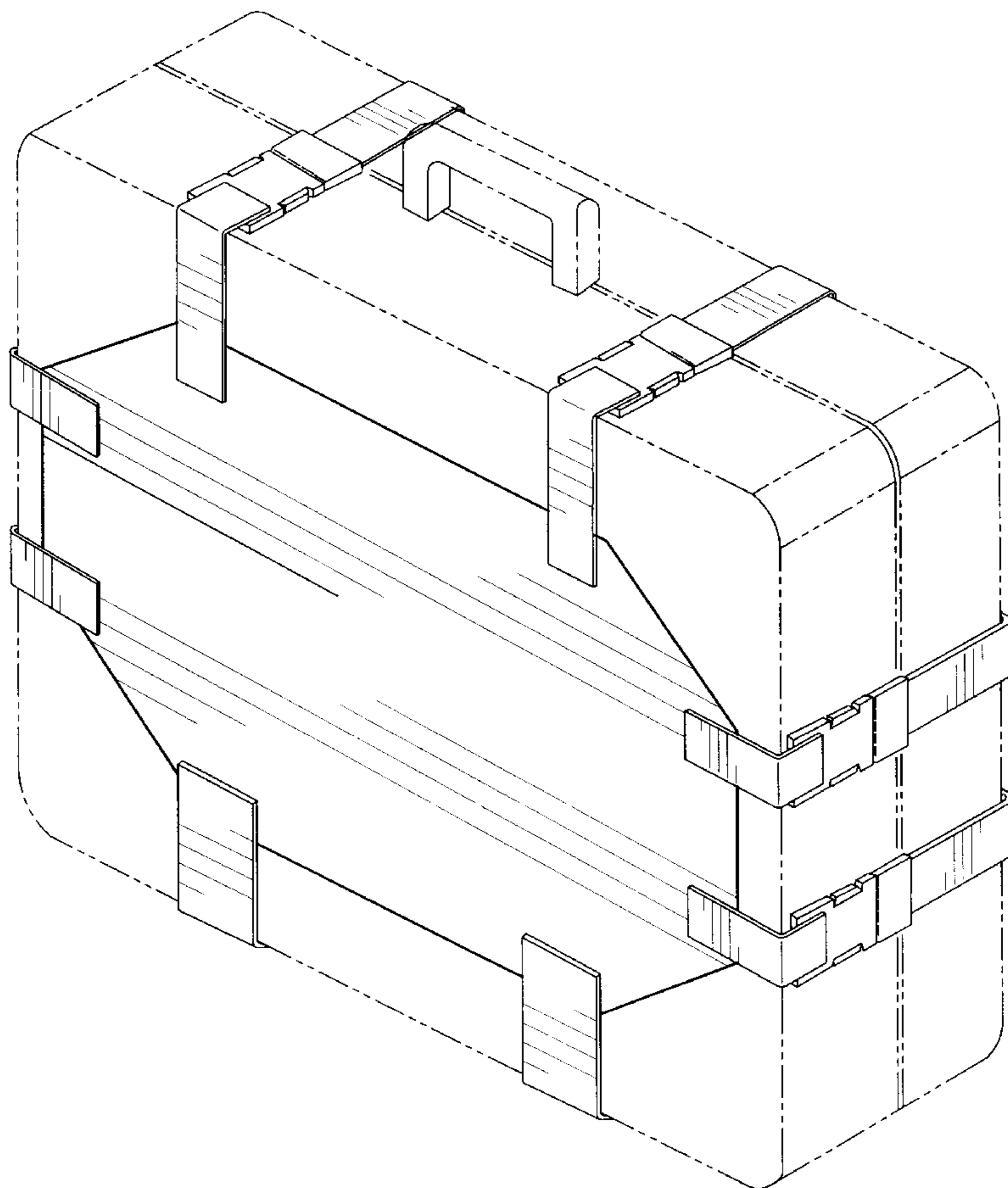
[57] **CLAIM**

The ornamental design for a suitcase cover, as shown and described.

**DESCRIPTION**

FIG. 1 is a top plan view of the suitcase cover according to the present design; and,  
FIG. 2 is a perspective view of a suitcase cover shown on an enlarged scale in condition of use, it being understood that the broken line showing of a suitcase is for illustrative purposes only and forms no part of the claimed design.  
The bottom surface of the suitcase cover shown in FIGS. 1 and 2 forms no part of the claimed design.

1 Claim, 2 Drawing Sheets



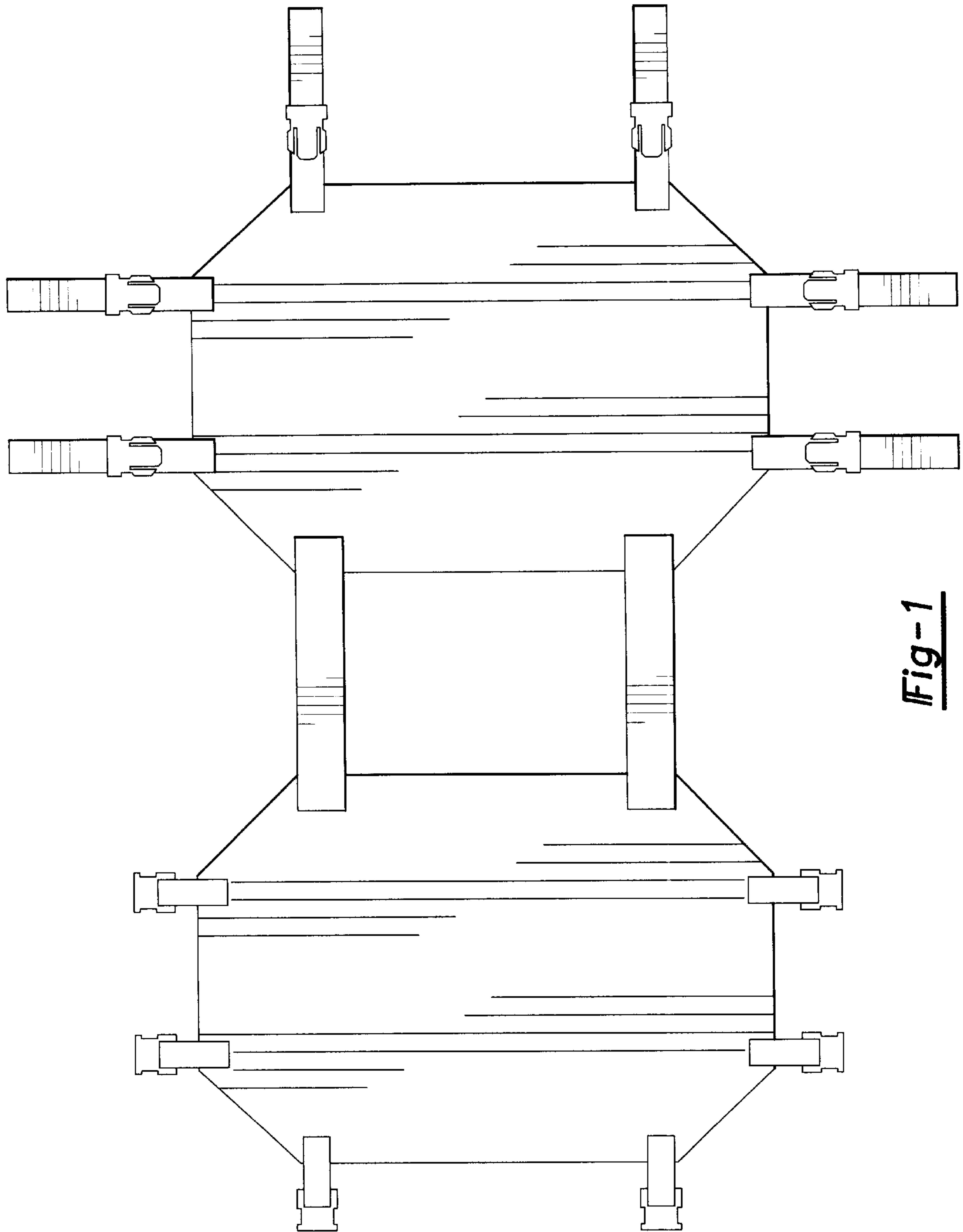


Fig-1

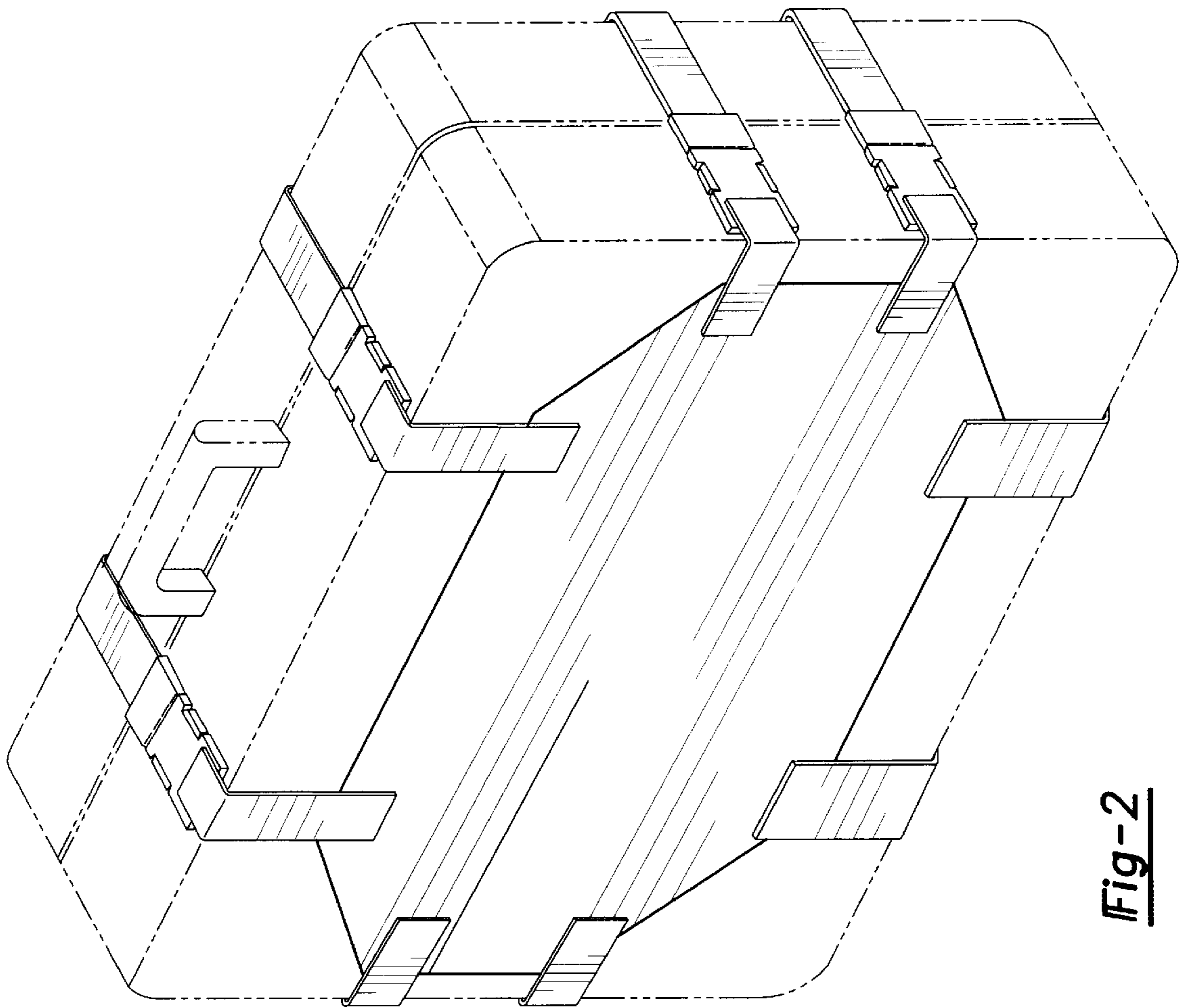


Fig-2