



US00D429418S

United States Patent [19]

[11] Patent Number: **Des. 429,418**

Tisbo et al.

[45] Date of Patent: **** Aug. 15, 2000**

[54] DECK BOX

OTHER PUBLICATIONS

[75] Inventors: **Thomas A. Tisbo**, Barrington Hills;
Michael G. Uffner, Naperville;
Torrence C. Anderson, Aurora, all of Ill.

Southern Patio Catalog (2 pages), Southern Patio Company of Atlanta, Georgia.

Kinsman Company Catalog (1 page).

Emsco Group Catalog (1 page), Emsco Group of Girard, Pennsylvania.

[73] Assignee: **Suncast Corporation**, Batavia, Ill.

L.L. Home Outdoor Living Catalog (3 pages including pp. 7, 8 & 9), L.L. Bean™ Company of Freeport, Maine.

Gardener's Supply Company (1 page), Gardener's Supply Company of Burlington, Vermont.

[**] Term: **14 Years**

[21] Appl. No.: **29/111,153**

Primary Examiner—Philip S. Hyder

Attorney, Agent, or Firm—Welsh & Katz, Ltd.

[22] Filed: **Sep. 21, 1999**

[51] **LOC (7) Cl.** **03-01**

[57] CLAIM

[52] **U.S. Cl.** **D3/272; D6/440; D25/16; D3/273**

The ornamental design for a deck box, as shown and described.

[58] **Field of Search** D3/273, 272, 294, D3/905; D6/432, 440; D9/420, 423, 424; 206/503, 508, 515, 518, 349; 312/203, 204, 226; D25/16, 15

DESCRIPTION

[56] References Cited

U.S. PATENT DOCUMENTS

D. 251,153	2/1979	Thompson	D9/424
D. 321,090	10/1991	Dickinson	D3/272
D. 321,091	10/1991	Dickinson	D3/272
D. 365,154	12/1995	Maple	D25/16
D. 367,958	3/1996	Tisbo et al.	D3/273
D. 376,259	12/1996	Dickinson et al.	D3/273
D. 381,512	7/1997	Green	D3/273
D. 389,646	1/1998	Sankey et al.	D3/294
D. 393,724	4/1998	Sagol	D25/16
D. 399,654	10/1998	Mandell	D3/273

FIG. 1 is a front perspective view of a deck box embodying the principles of the present invention;

FIG. 2 is a rear perspective view of the deck box;

FIG. 3 is a side view of the deck box as taken from the right-hand side of FIG. 1, the left-hand side being a mirror image thereof;

FIG. 4 is a top view of the deck box;

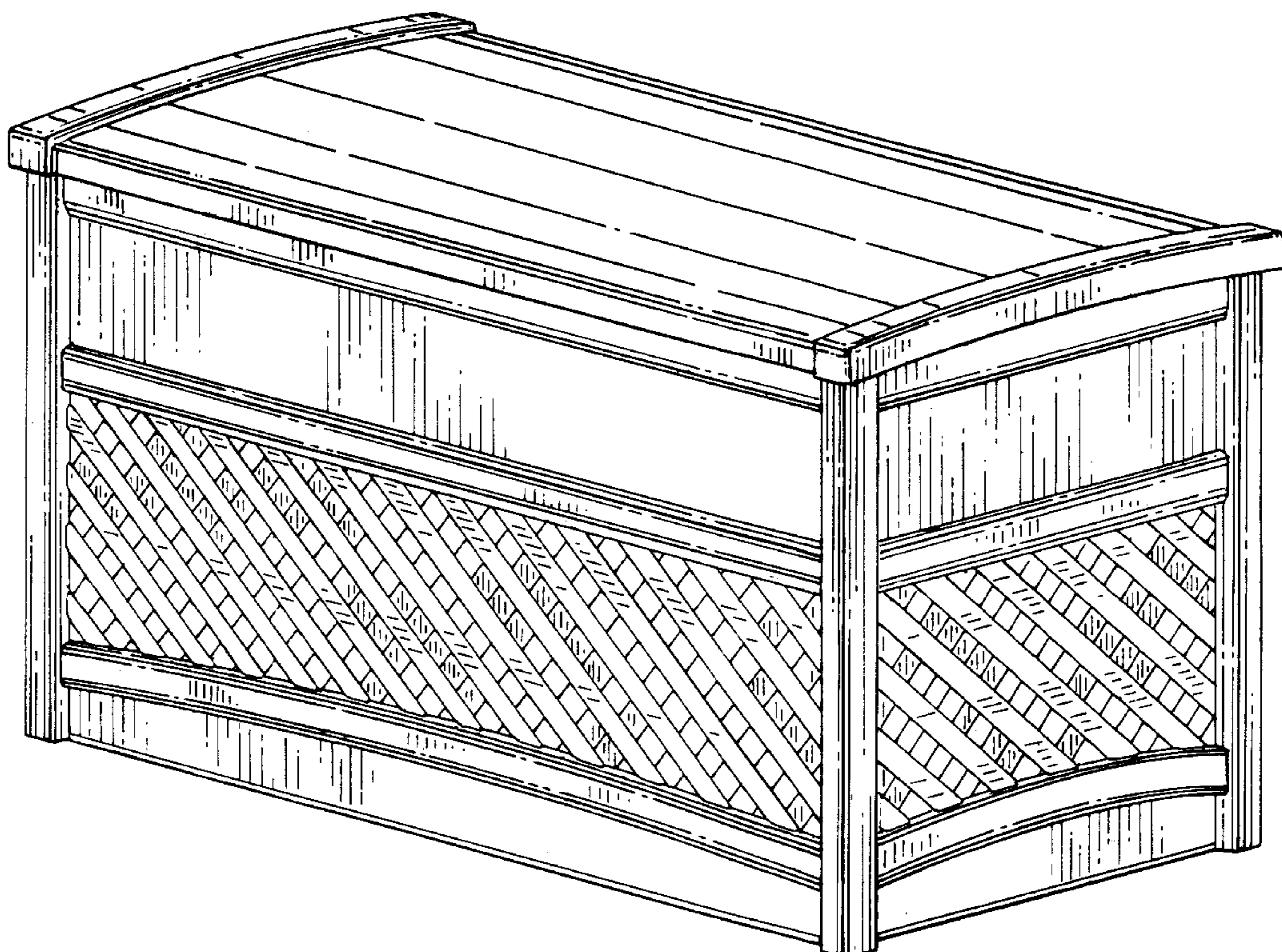
FIG. 5 is a front view of the deck box;

FIG. 6 is a rear view of the deck box;

FIG. 7 is a bottom view of the deck box; and,

FIG. 8 is a front perspective view of the deck box similar to FIG. 1, with the box shown in the opened position.

1 Claim, 8 Drawing Sheets



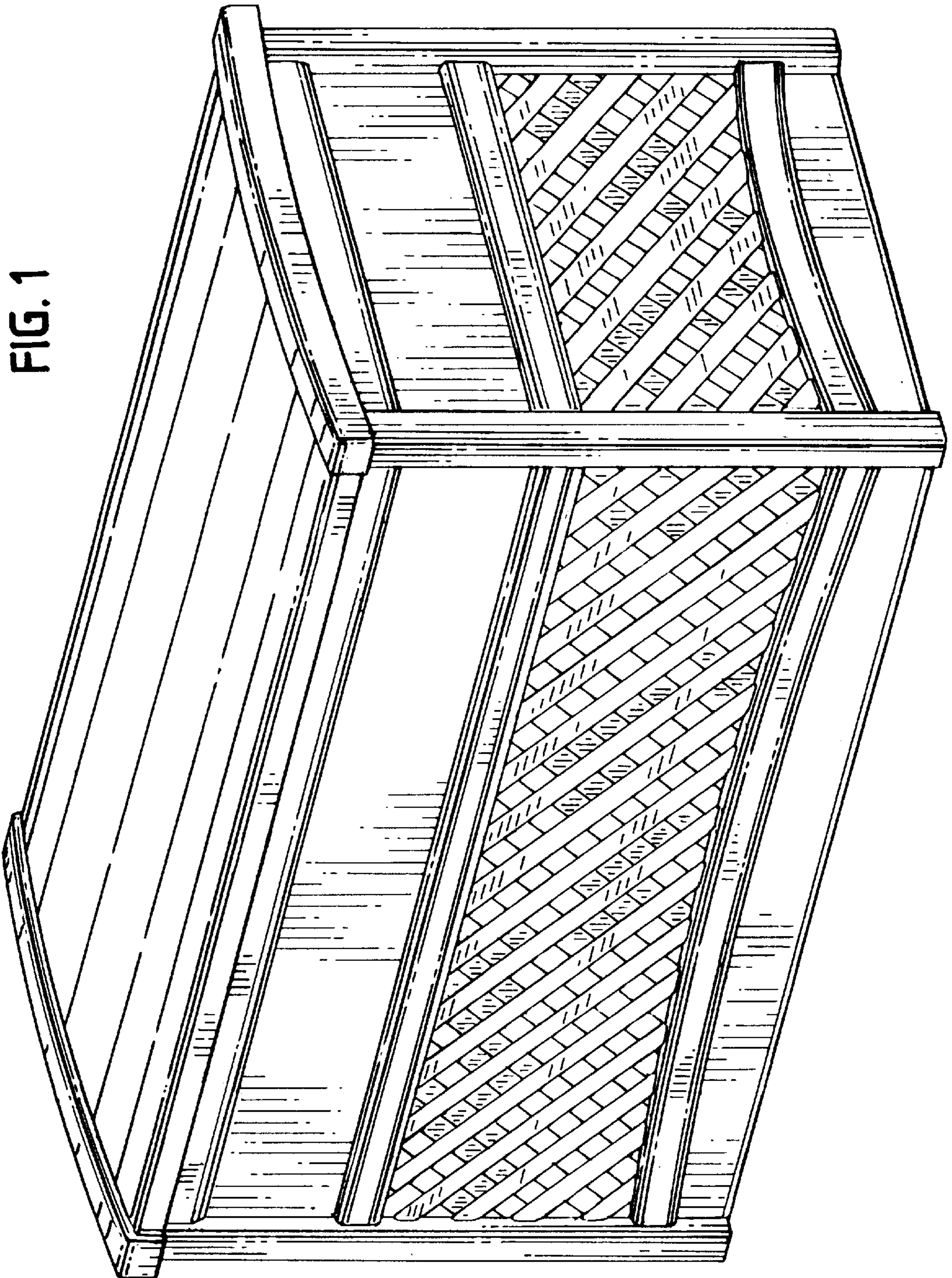


FIG. 1

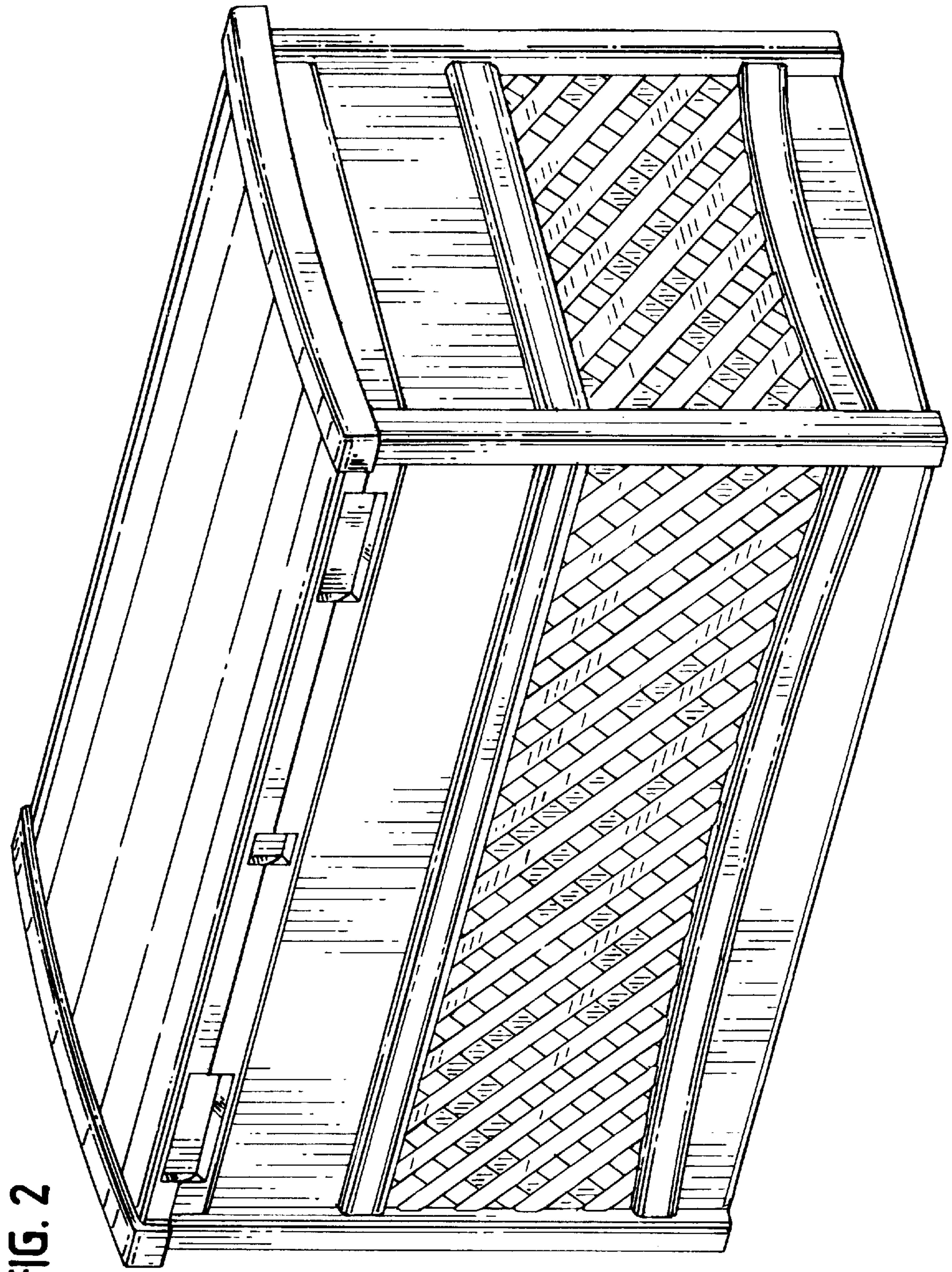


FIG. 2

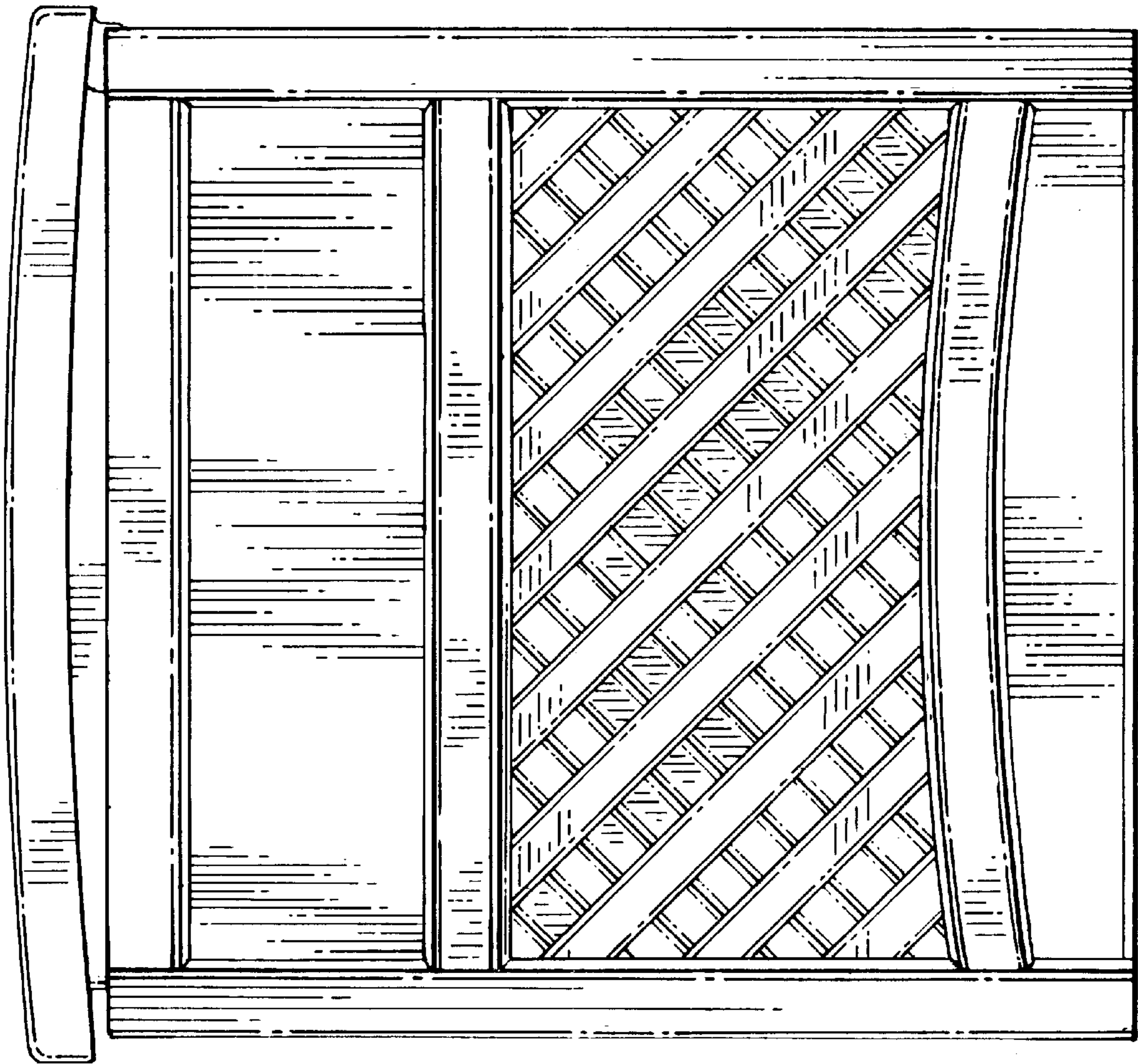


FIG. 3

FIG. 4

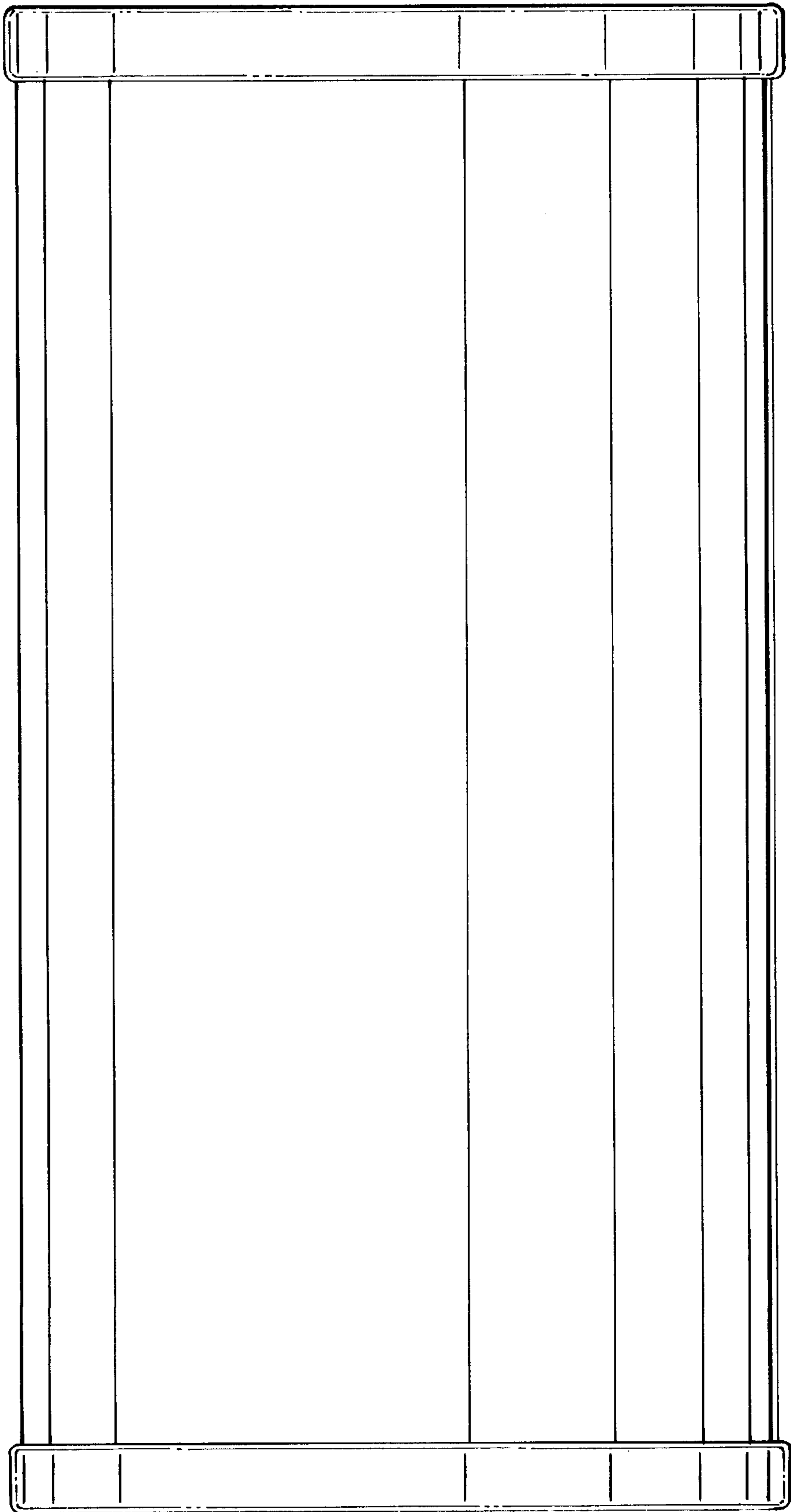


FIG. 5

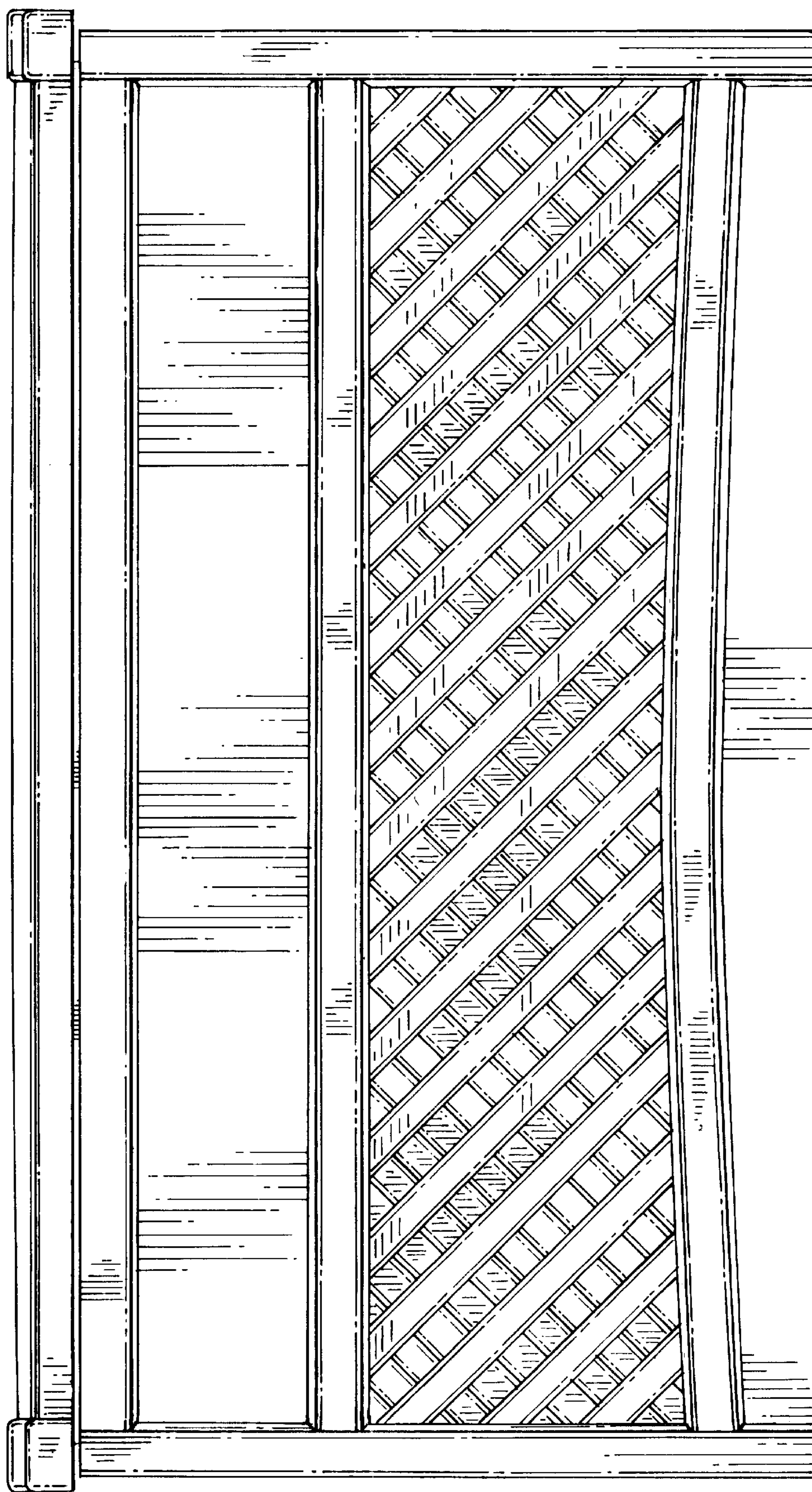
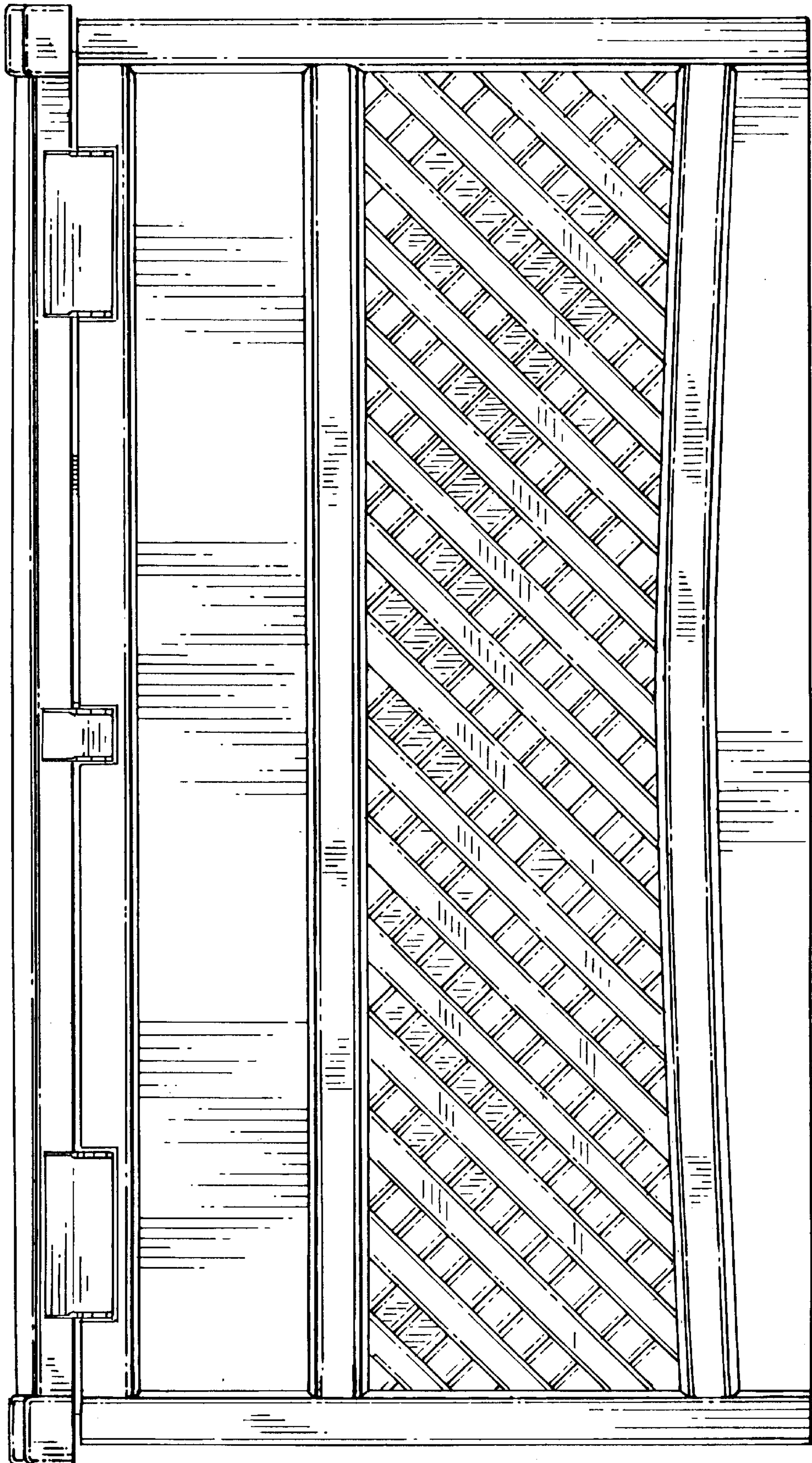


FIG. 6



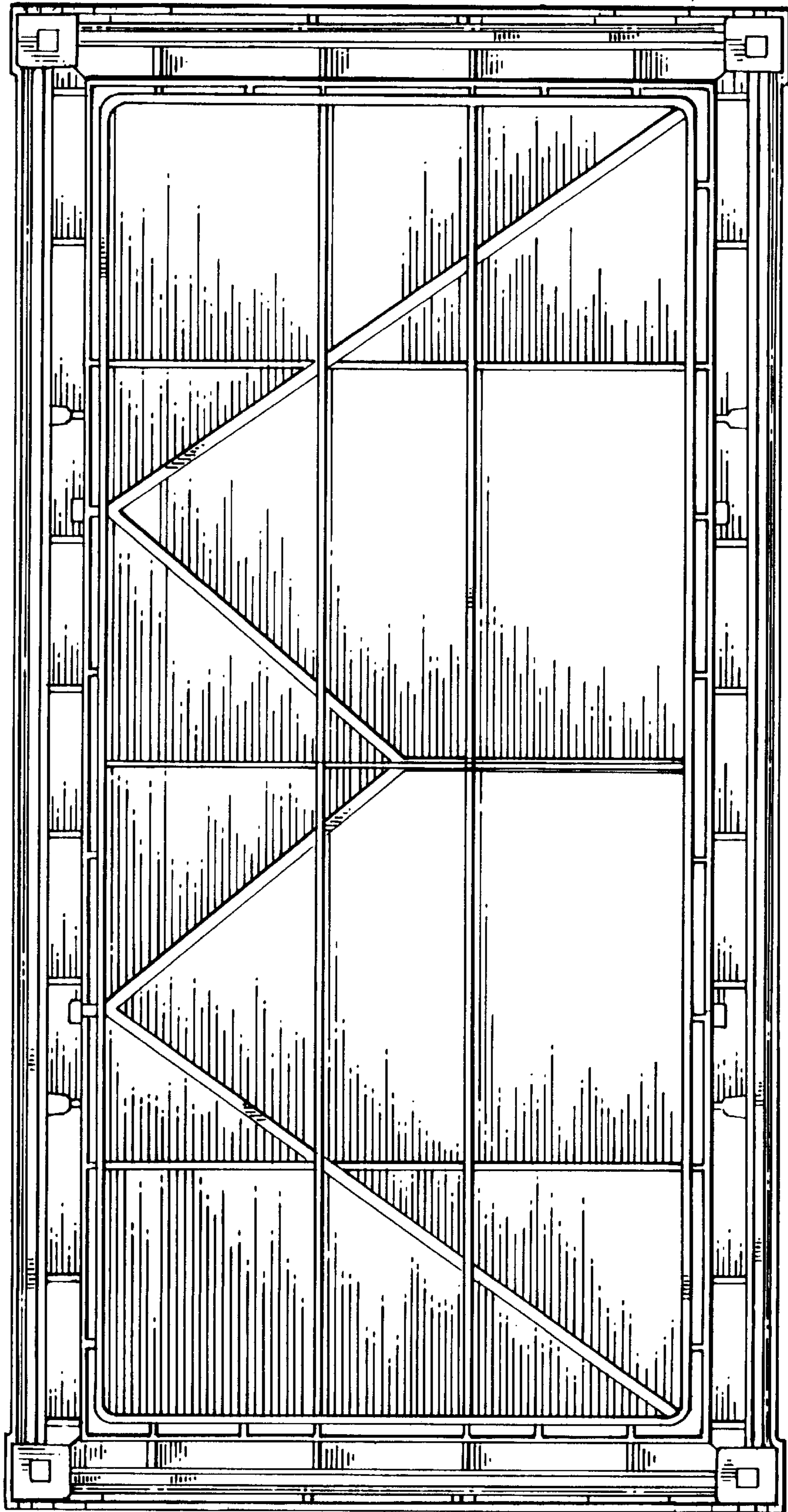


FIG. 7

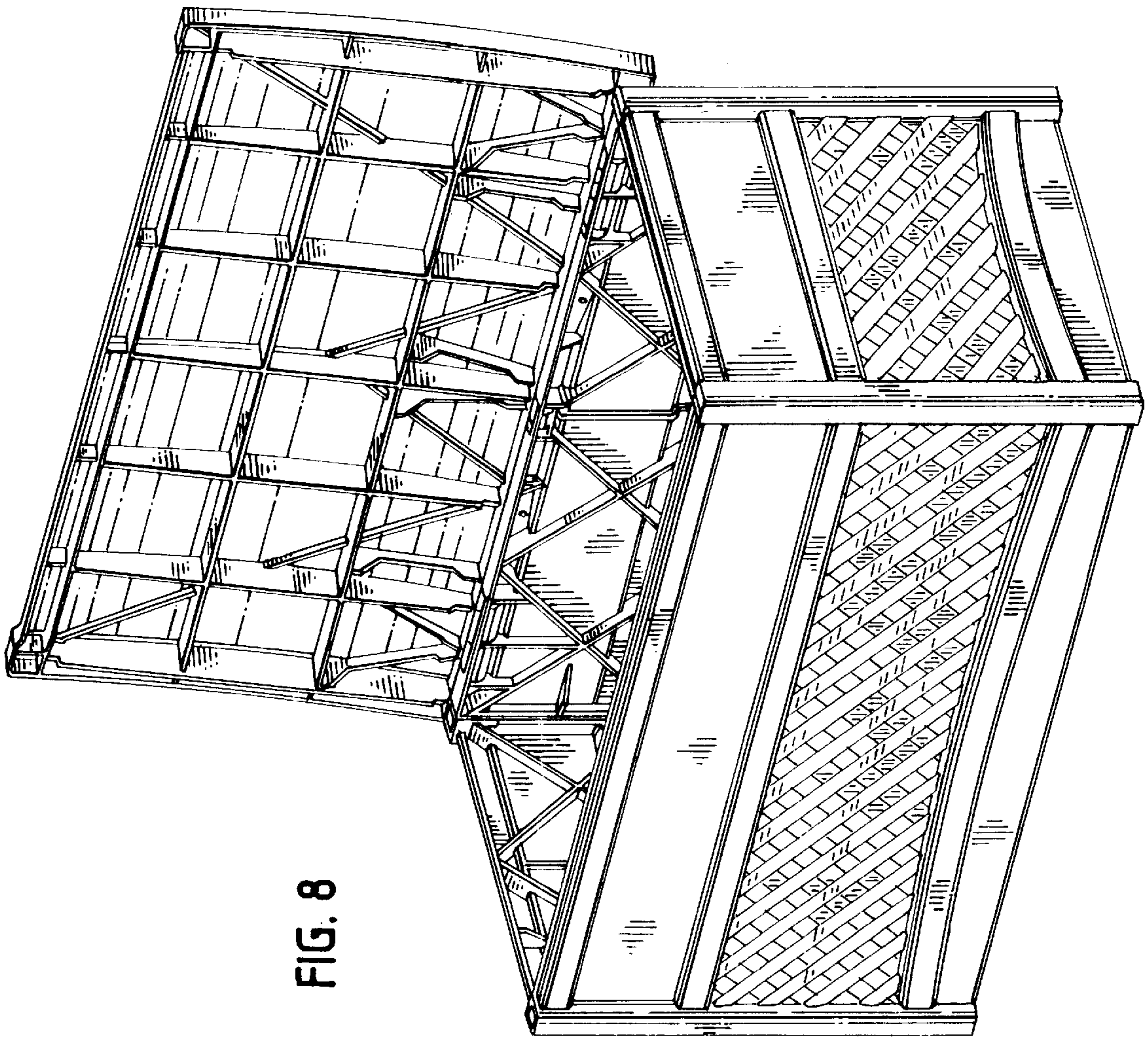


FIG. 8