



US00D429417S

# United States Patent [19]

Liebers et al.

[11] Patent Number: **Des. 429,417**

[45] Date of Patent: **\*\* Aug. 15, 2000**

[54] **EYEGLASS DISPLAY TRAY**

[75] Inventors: **Steven B. Liebers**, Norristown, Pa.;  
**Boris B. Liebers**, Alfe Menashe, Israel

[73] Assignee: **Diversified Products, Inc.**, Norristown, Pa.

[\*\*] Term: **14 Years**

3,195,731 7/1965 Bomar, Jr. .  
4,204,602 5/1980 Dunchock .  
4,976,532 12/1990 Nyman .  
5,056,668 10/1991 Berger .  
5,069,416 12/1991 Ennis ..... 248/231.81  
5,100,006 3/1992 Forrester .  
5,316,252 5/1994 Charnow et al. .... 248/224.51  
5,861,941 1/1999 Liebers .

[21] Appl. No.: **29/117,563**

[22] Filed: **Jan. 27, 2000**

*Primary Examiner*—Celia Murphy  
*Attorney, Agent, or Firm*—Caesar, Rivise, Bernstein, Cohen & Pokotilow, Ltd.

[51] **LOC (7) Cl.** ..... **03-01**

[52] **U.S. Cl.** ..... **D3/266; D3/265**

[58] **Field of Search** ..... D3/265–266, 215,  
D3/219, 268, 201; D6/553, 573; D16/330,  
204; 206/5, 6, 315.1, 316.1, 558; 211/85.1;  
224/250; 248/224.51, 231.81, 214

[57] **CLAIM**

The ornamental design for an eyeglass display tray, as shown and described.

[56] **References Cited**

U.S. PATENT DOCUMENTS

D. 185,746 7/1959 Glover .  
D. 223,784 6/1972 Rios ..... D6/573  
D. 251,596 4/1979 Priestley, Jr. .... D3/266  
D. 298,436 11/1988 Pralutsky ..... D3/266  
D. 314,114 1/1991 Steinman .  
D. 321,444 11/1991 Khantzis .  
D. 374,786 10/1996 Liebers .  
D. 391,759 3/1998 Zudall ..... D3/266  
D. 393,557 4/1998 Guccione ..... D6/553

**DESCRIPTION**

FIG. 1 is a perspective view of an eyeglass display tray, showing our new design; the broken line showing of a pair of eyeglasses being for illustrative purposes and not forming any part of the claimed design;

FIG. 2 is a left side elevational view thereof;

FIG. 3 is a front elevational view thereof;

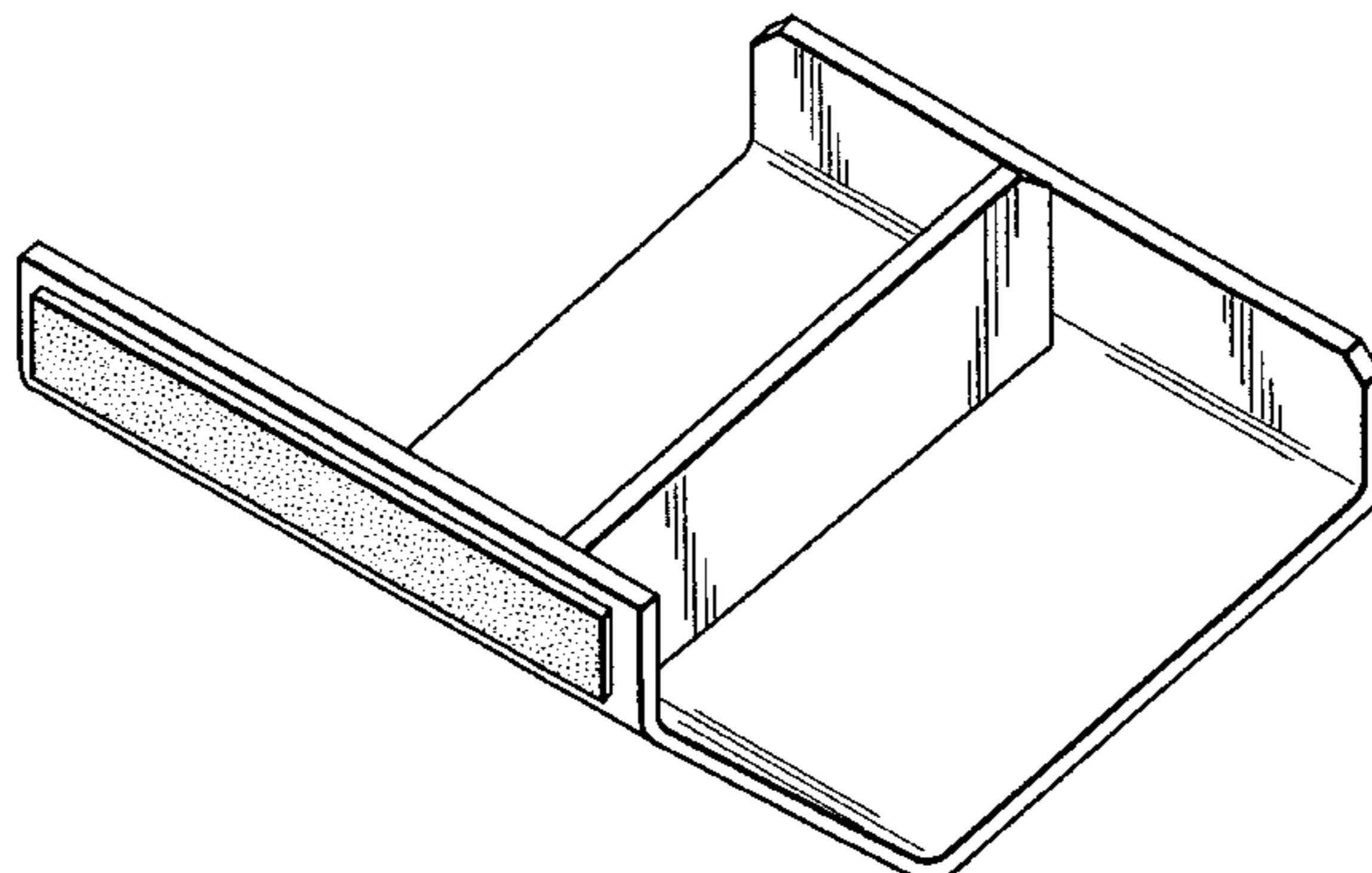
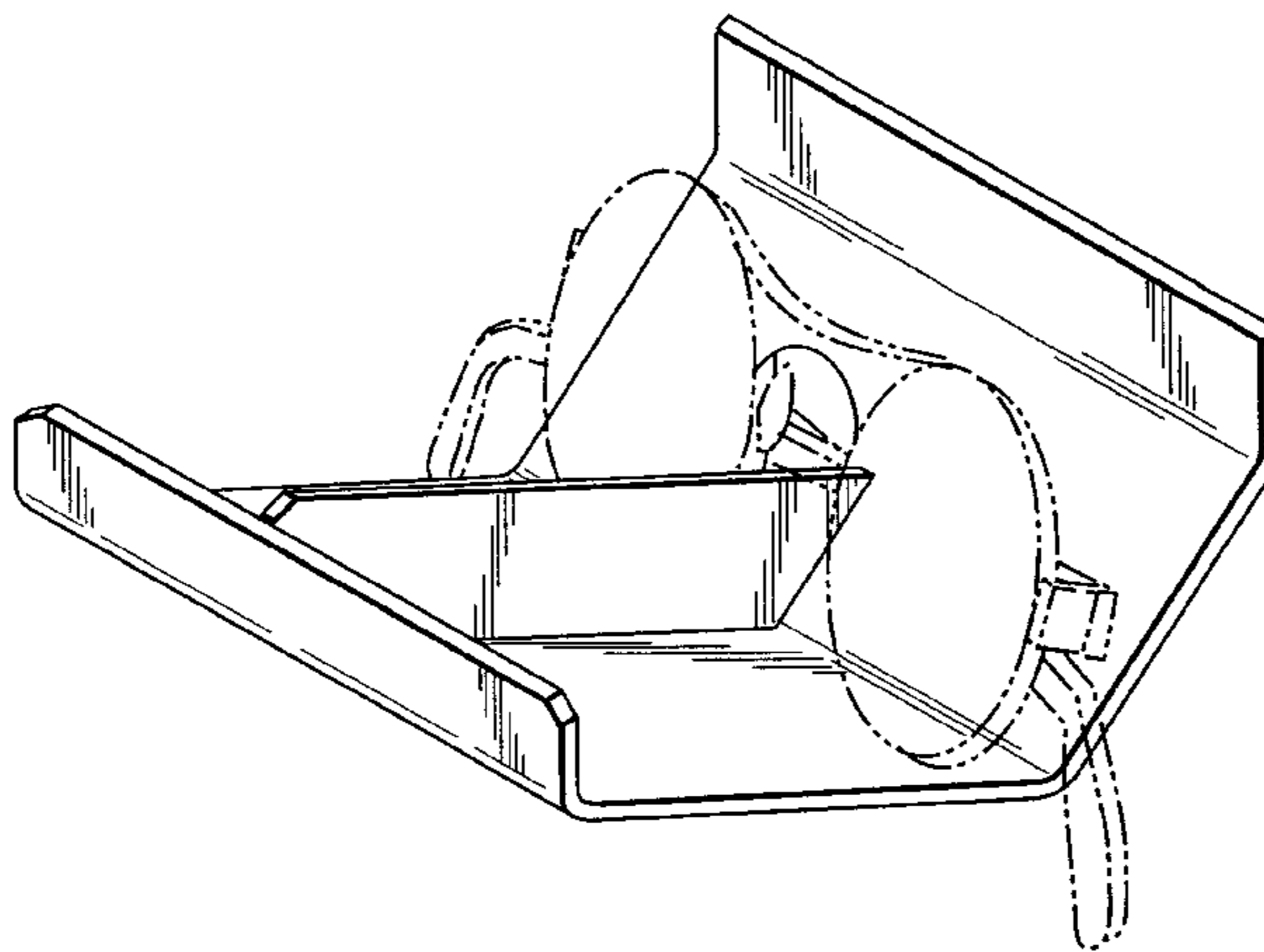
FIG. 4 is a rear elevational view thereof;

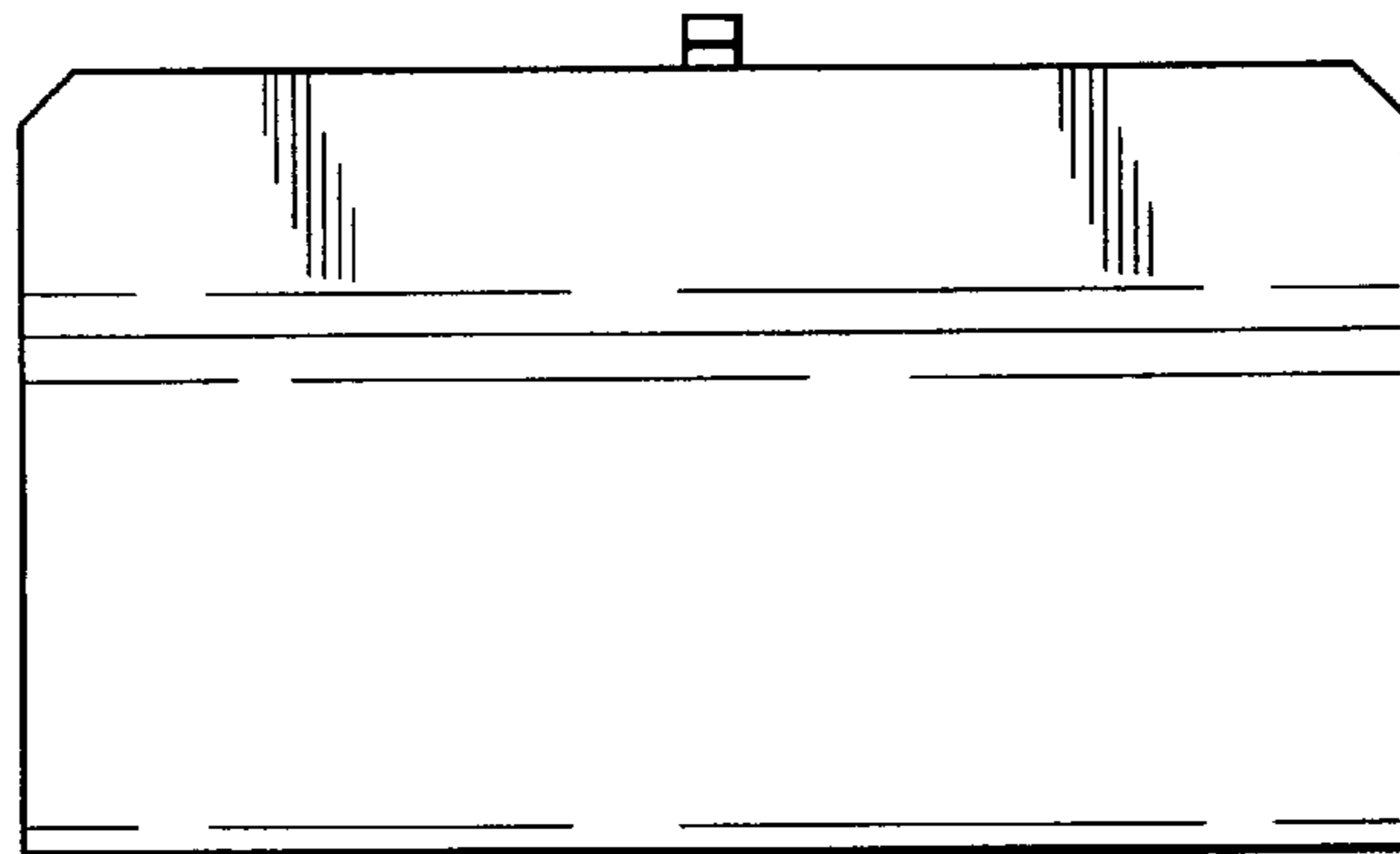
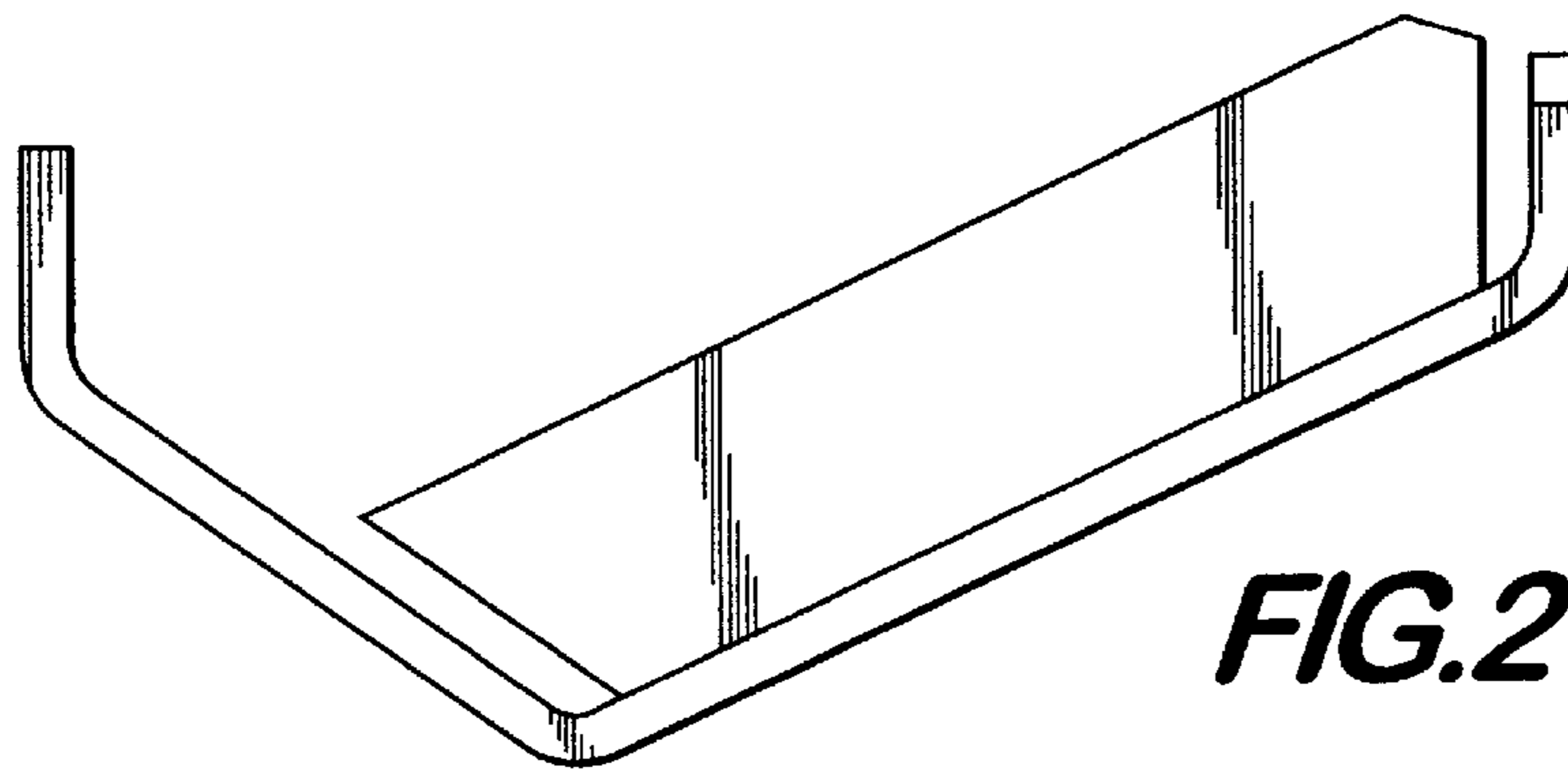
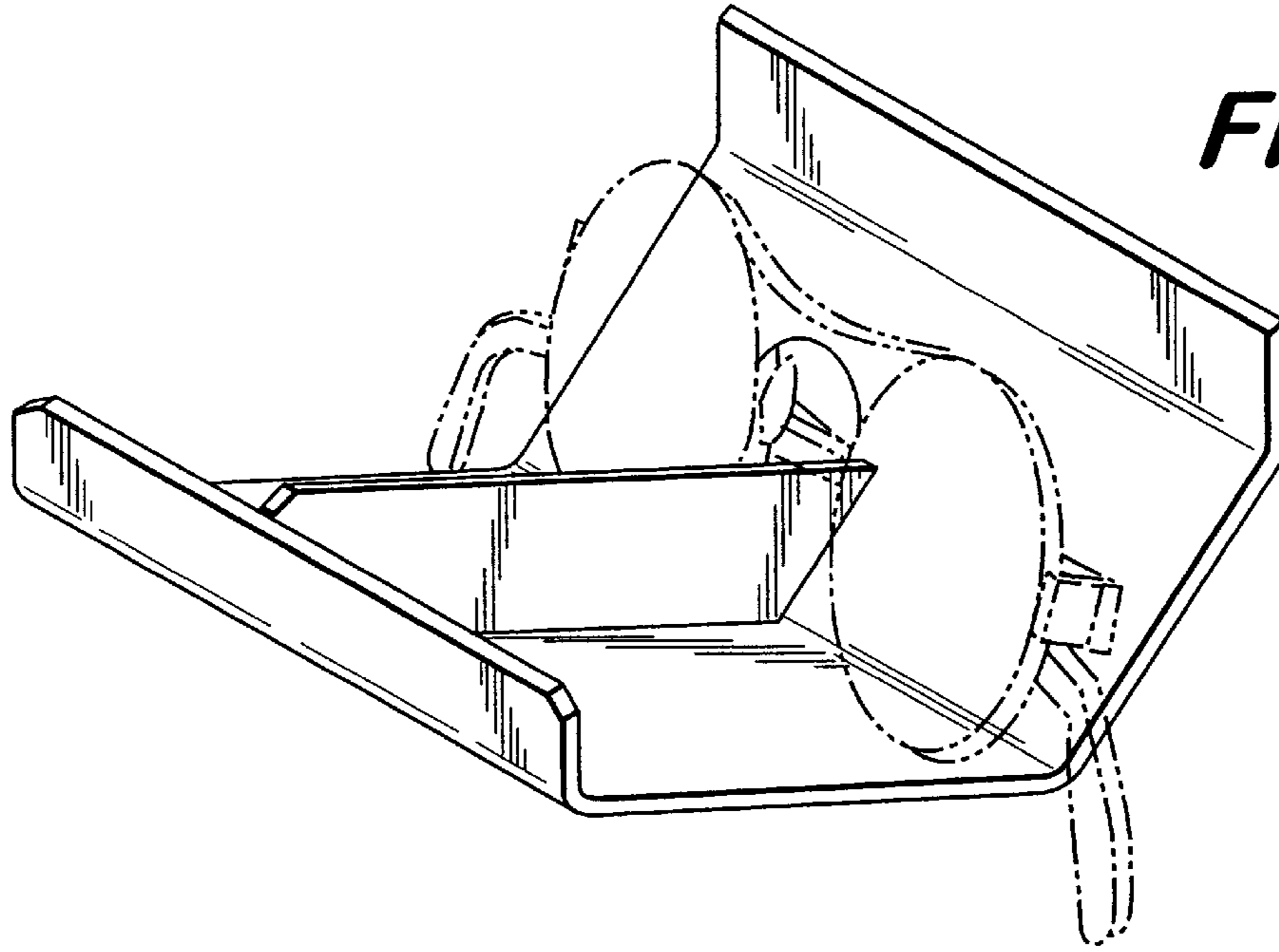
FIG. 5 is a top plan view thereof;

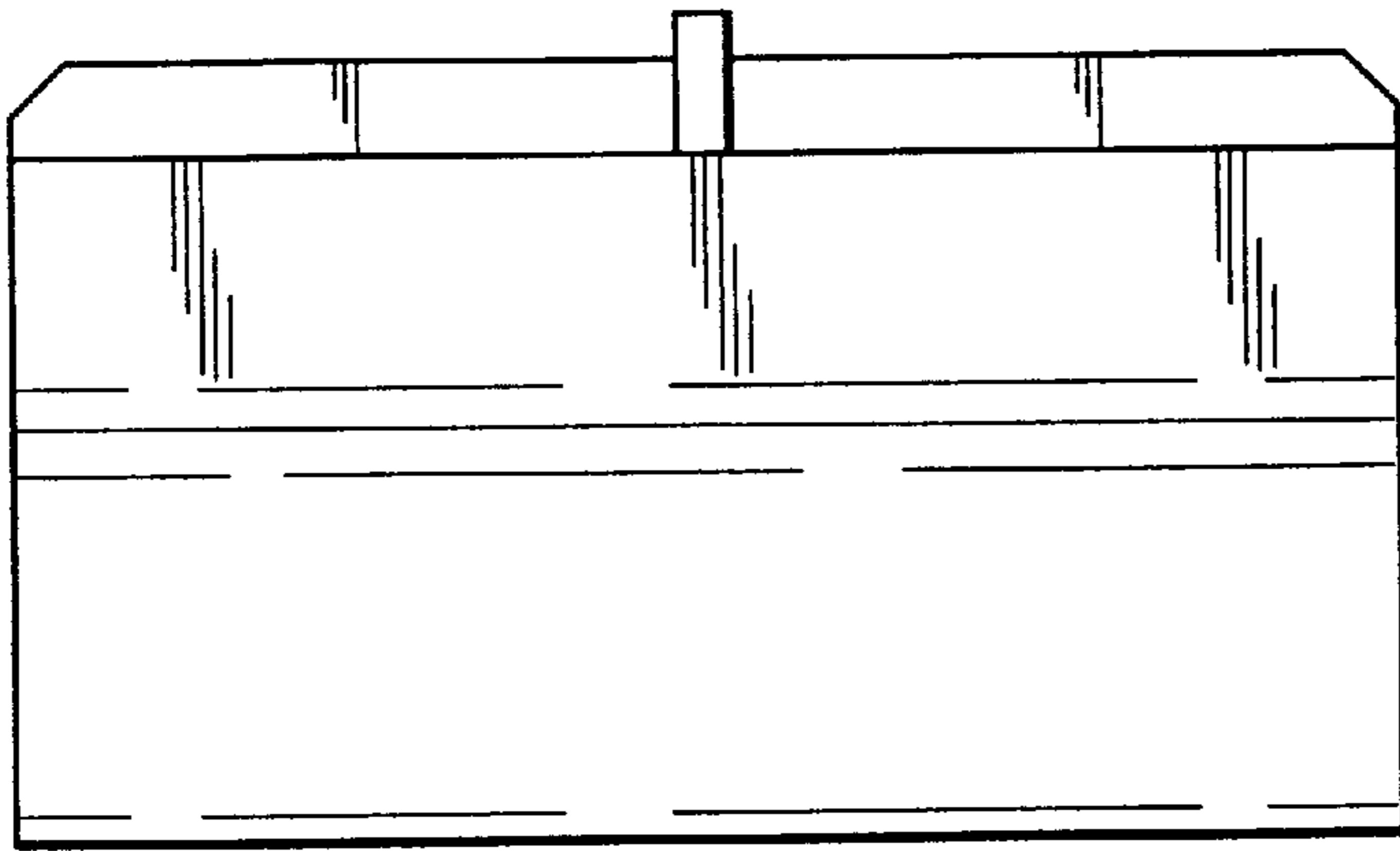
FIG. 6 is a bottom plan view thereof; and,

FIG. 7 is a perspective view of an alternate embodiment of the design shown in FIG. 1; all sides being identical to the first embodiment except for the strip.

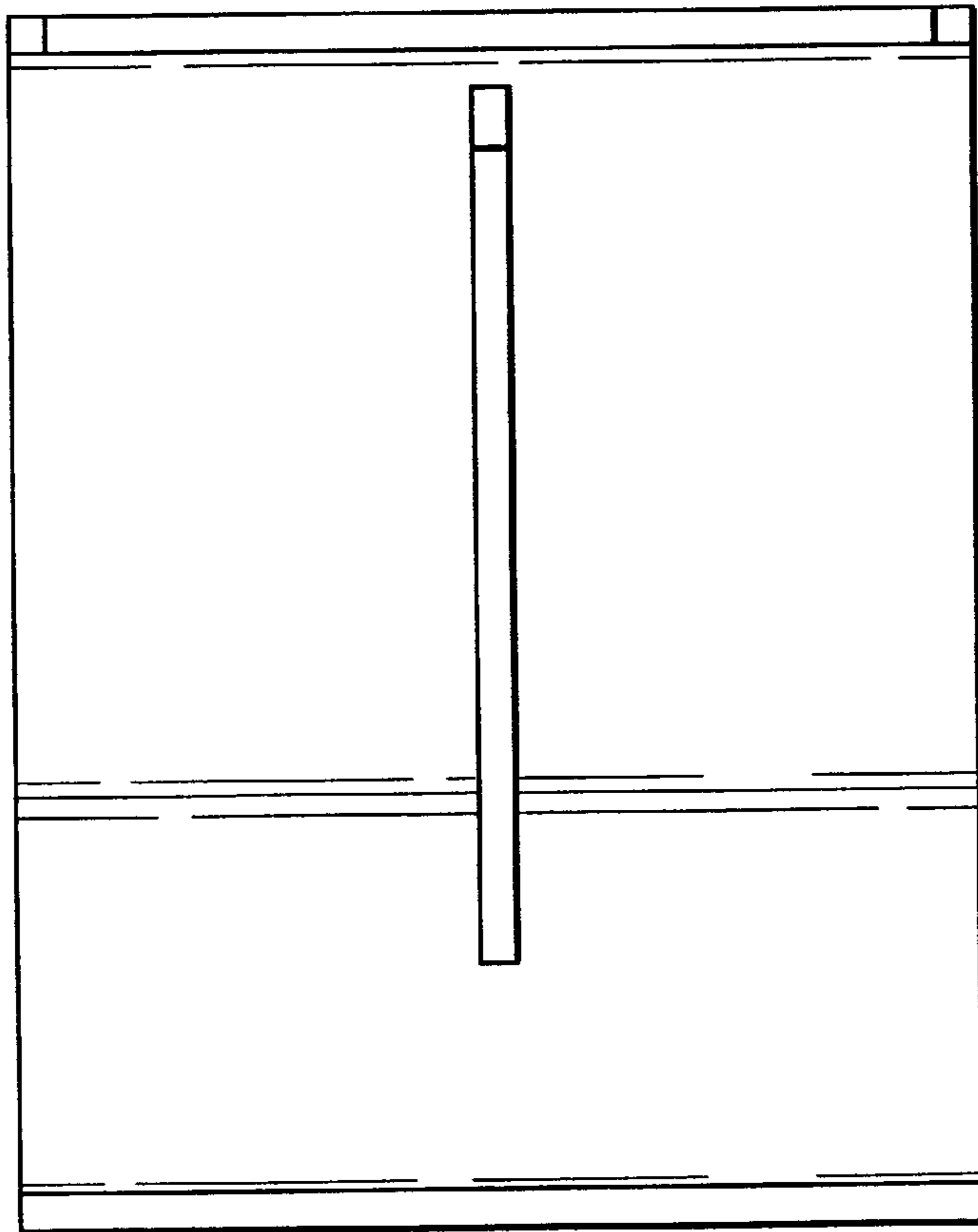
**1 Claim, 3 Drawing Sheets**



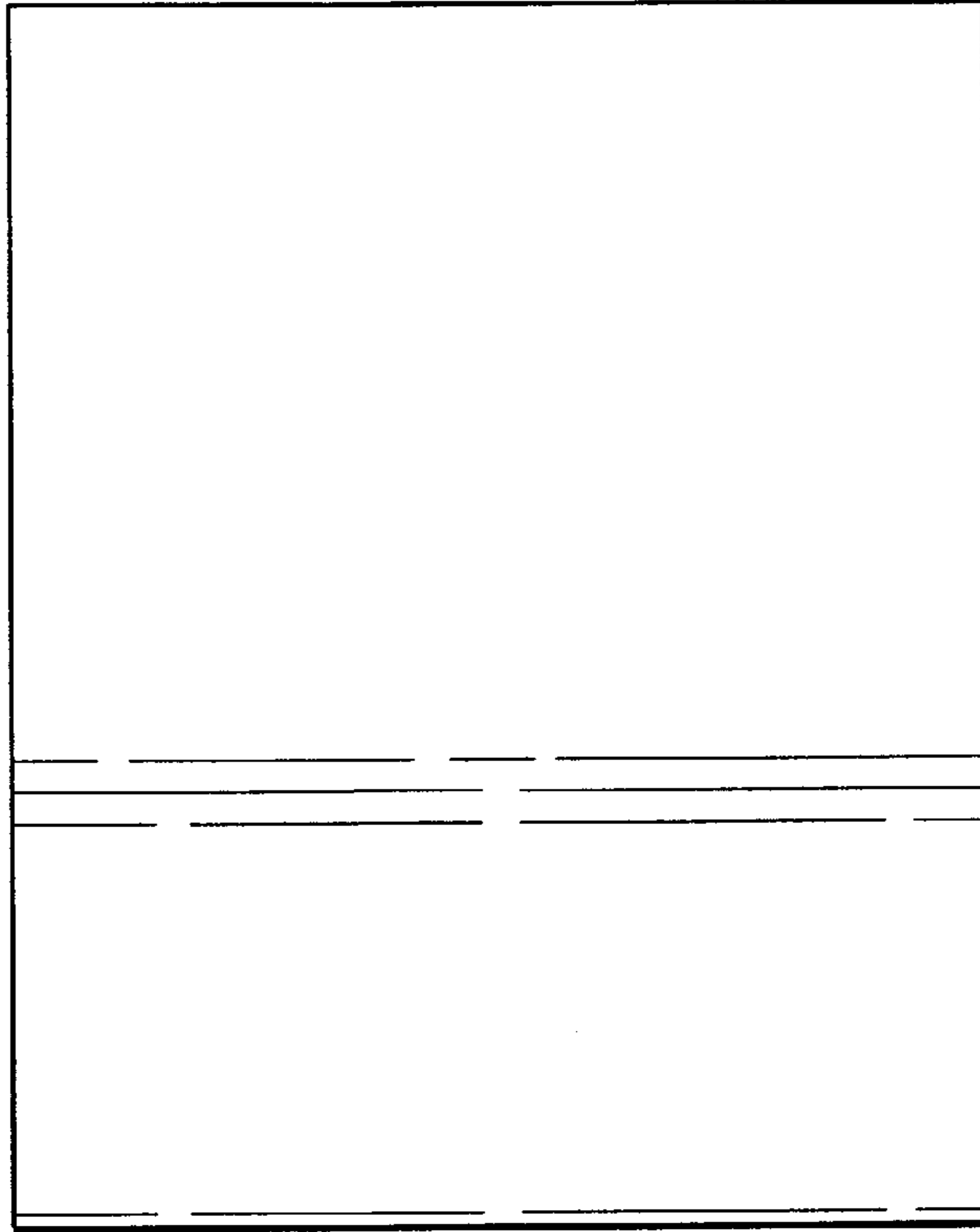




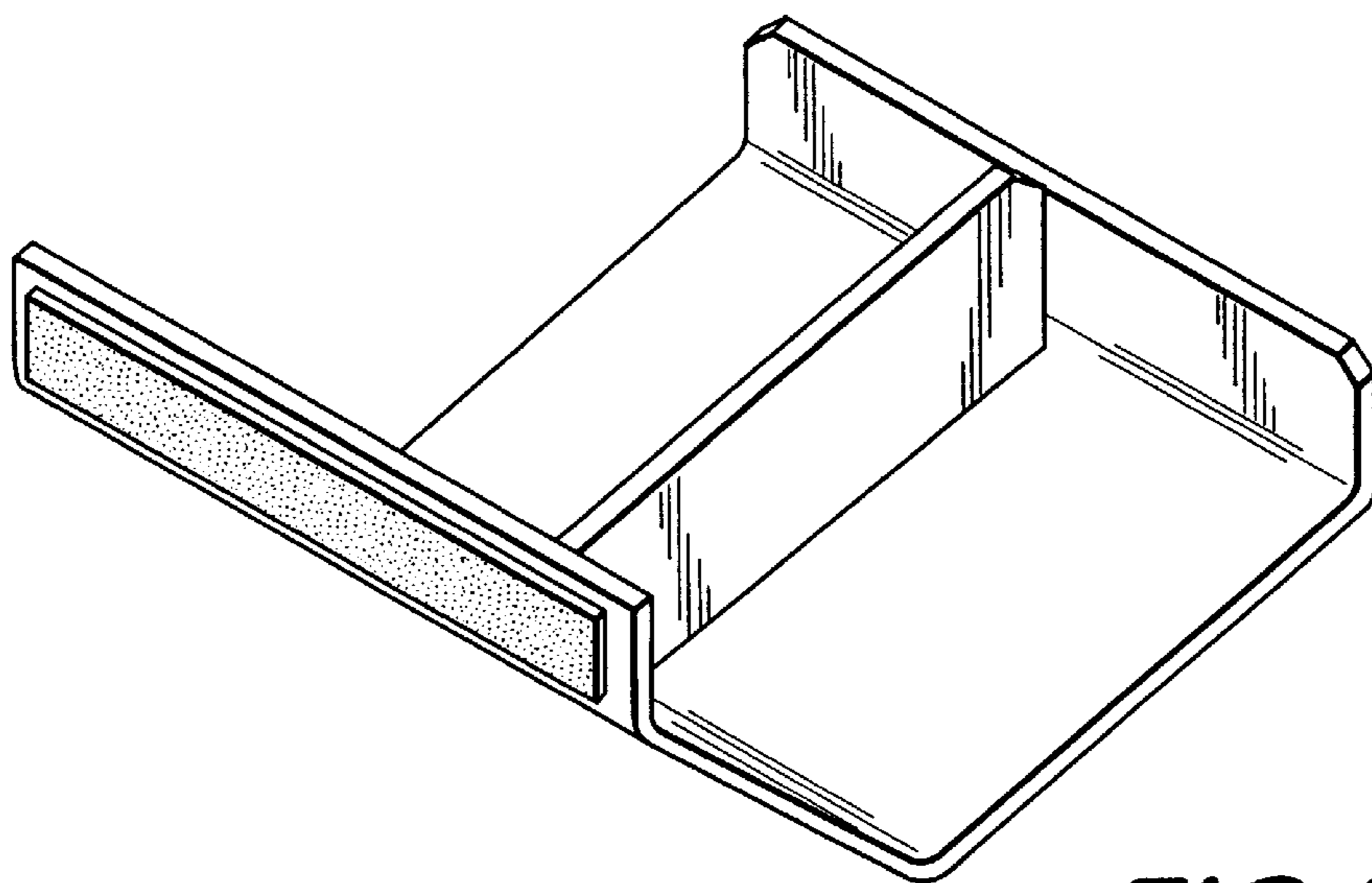
**FIG. 4**



**FIG. 5**



**FIG. 6**



**FIG. 7**