



US00D429404S

United States Patent [19]

DeChambeau

[11] Patent Number: Des. 429,404

[45] Date of Patent: ** Aug. 15, 2000

[54] **BILLED CAP WITH ELASTICIZED SUNGLASS HOLDER**

[76] Inventor: **David DeChambeau**, 134 Peabody St., Gardner, Mass. 01440

[**] Term: **14 Years**

[21] Appl. No.: **29/116,356**

[22] Filed: **Dec. 17, 1999**

[51] **LOC (7) Cl.** **02-03**

[52] **U.S. Cl.** **D2/866**

[58] **Field of Search** D2/865, 866, 872, D2/876, 879, 882, 886; 2/6.3, 6.5, 6.7, 10, 209.13

[56] **References Cited**

U.S. PATENT DOCUMENTS

D. 407,537	4/1999	Simpson .	
D. 412,611	8/1999	Simpson .	
1,082,987	12/1913	Williams	2/209.13
1,083,313	6/1914	Williams	2/209.13
1,108,649	8/1914	Williams	2/209.13
1,228,341	5/1917	Maynard	2/209.13
4,179,753	12/1979	Aronberg et al.	2/209.13
4,386,437	6/1983	Fosher	2/195.1
4,406,040	9/1983	Cannone	2/209.13 X

5,082,225	1/1992	Nespoli .	
5,208,916	5/1993	Kelman	2/209.13
5,615,413	4/1997	Bower	2/209.13
5,689,827	11/1997	Ryder	2/10
5,867,874	2/1999	Simpson .	
5,987,640	11/1999	Ryder	2/10

Primary Examiner—Paula A. Mortimer
Attorney, Agent, or Firm—Mark P. White

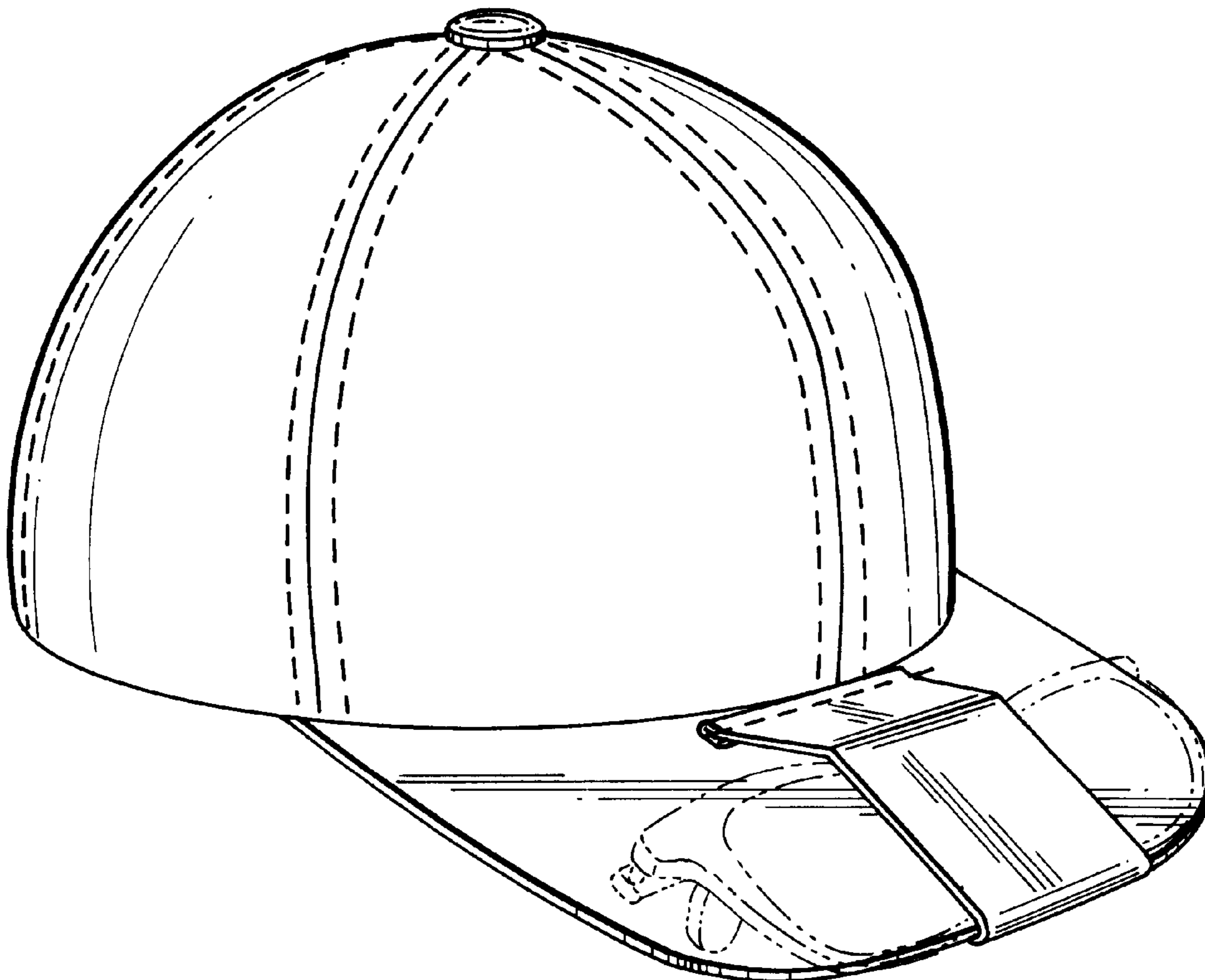
[57] **CLAIM**

The ornamental design for my billed cap with elasticized sunglass holder, as shown and described.

DESCRIPTION

FIG. 1 is a front perspective view of a billed cap with elasticized sunglass holder showing my new design, the broken line showing of the pair of glasses is for illustrative purposes only and forms no part of the claimed design; FIG. 2 is a front elevational view thereof; FIG. 3 is a rear elevation view thereof; FIG. 4 is a side elevation view thereof; FIG. 5 is a side elevation view, thereof, viewed from the side opposite FIG. 4; FIG. 6 is a top plan view thereof; and, FIG. 7 is a bottom plan view thereof.

1 Claim, 7 Drawing Sheets



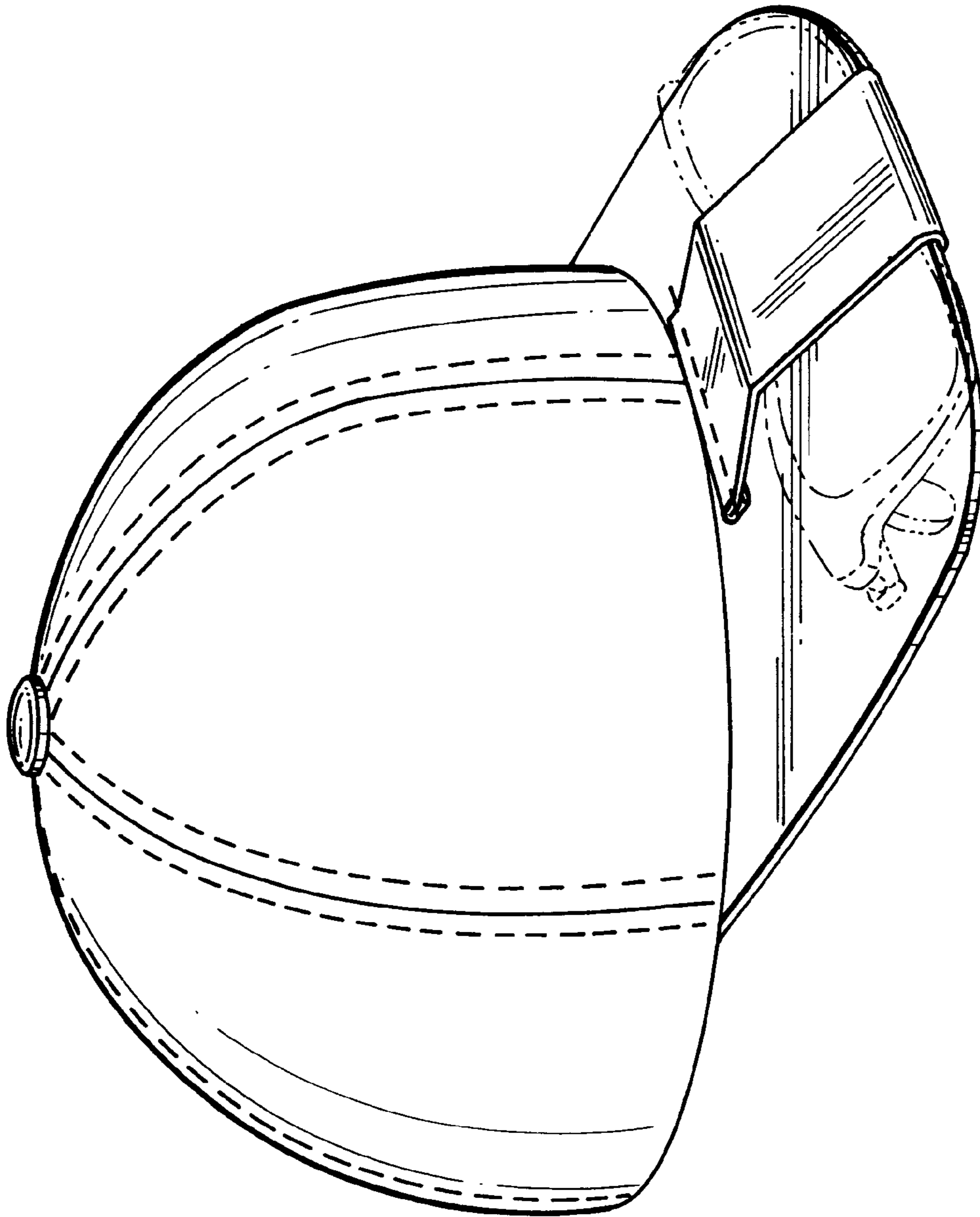


FIG. 1

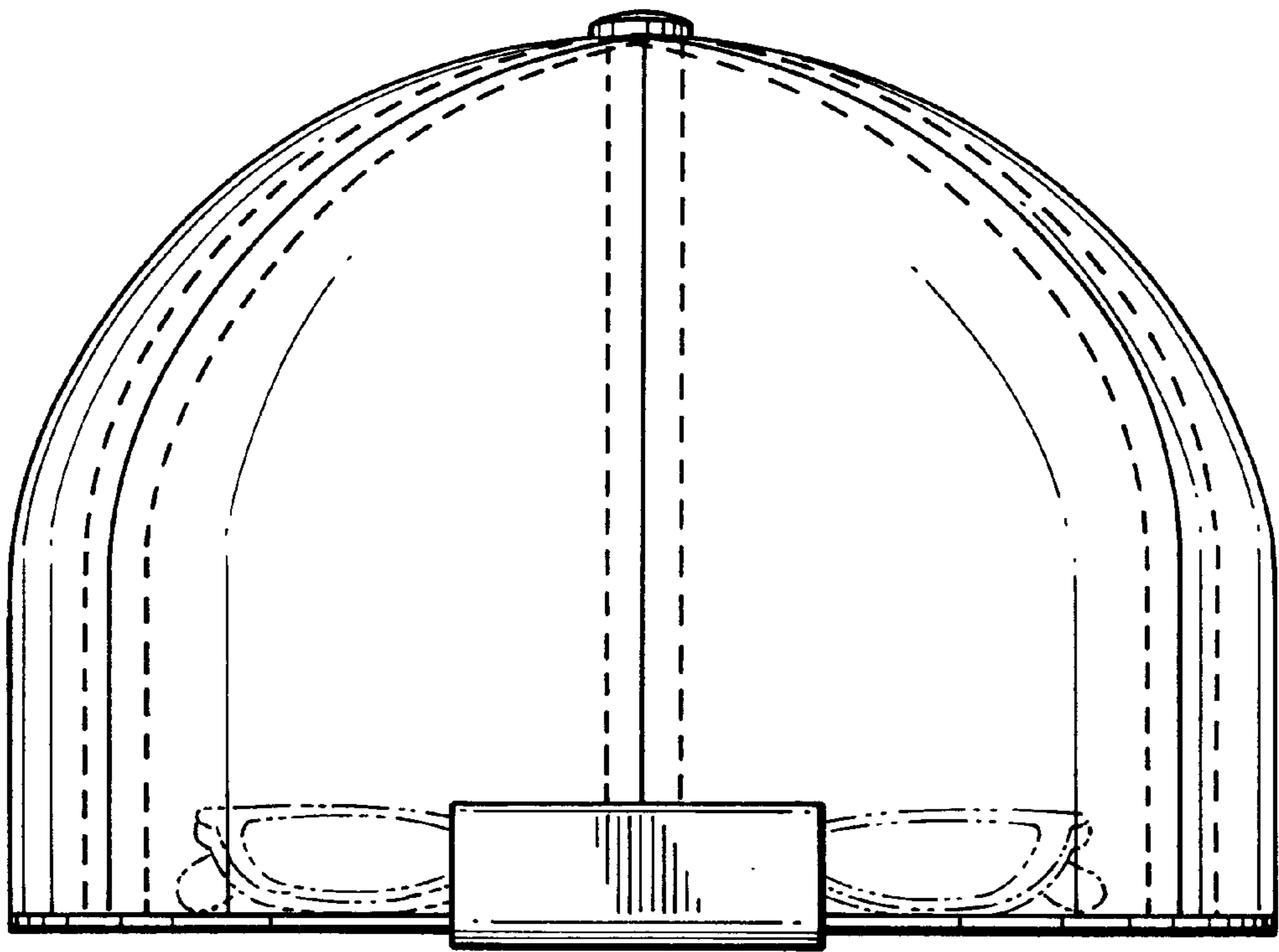


FIG. 2

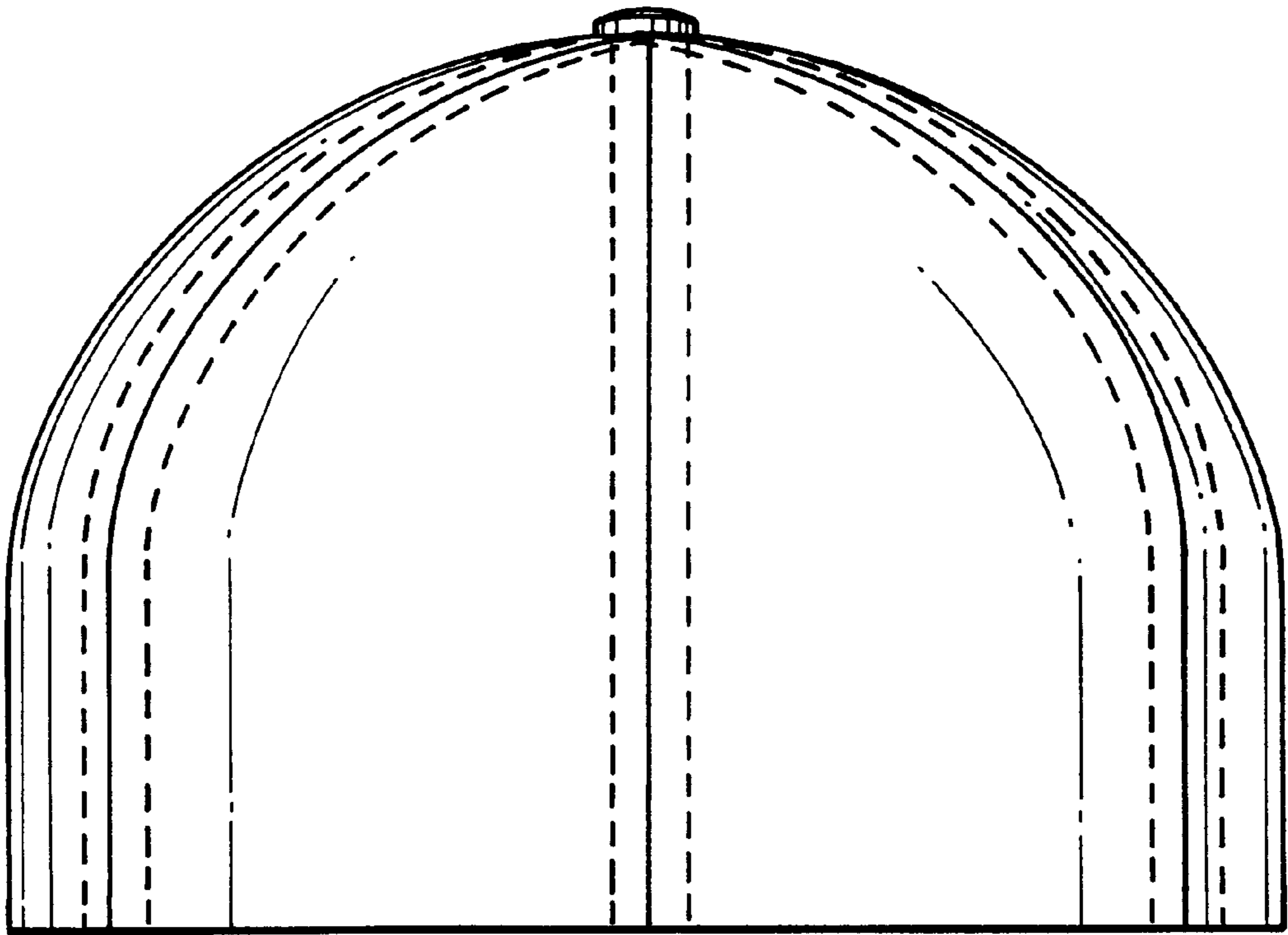


FIG. 3

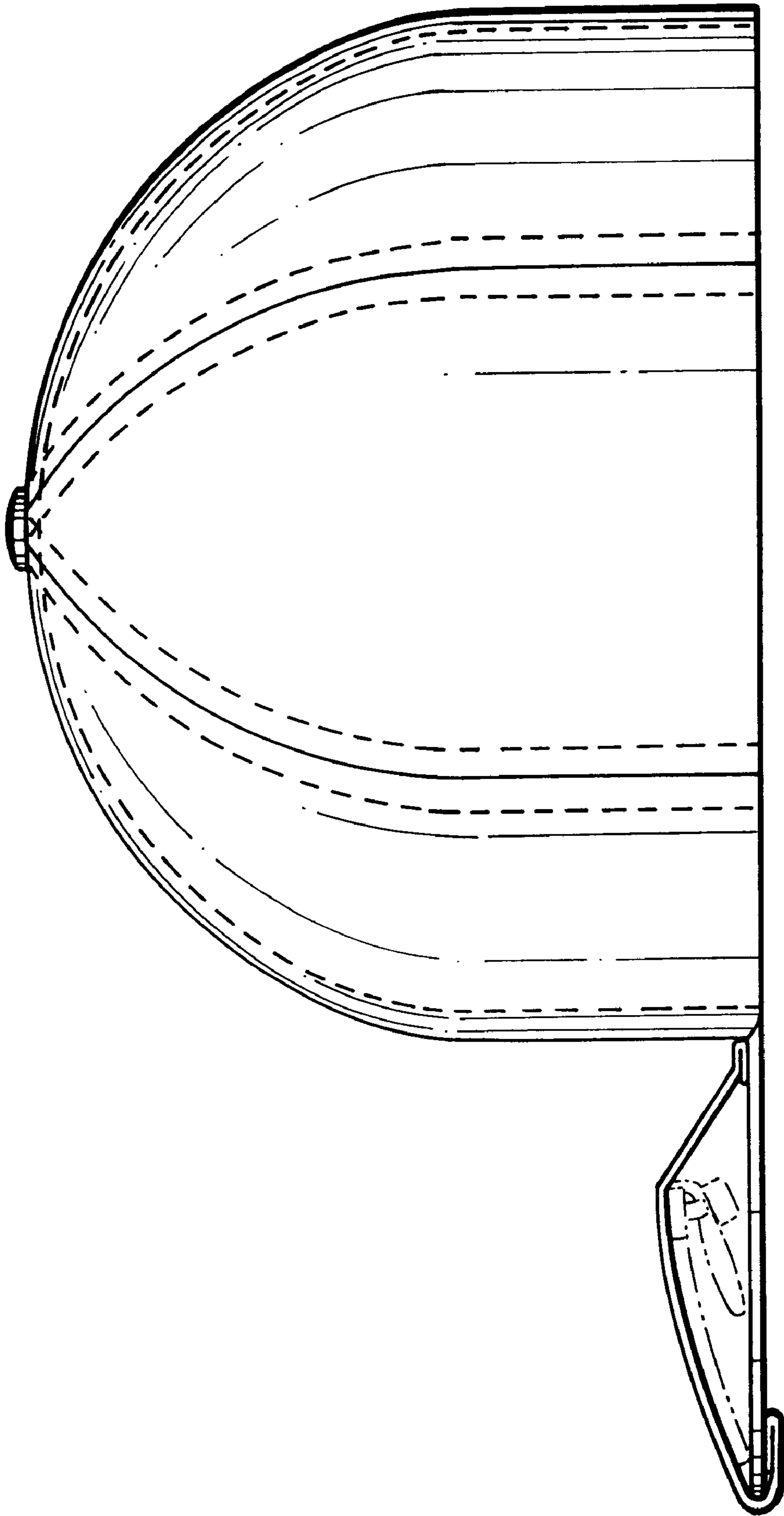


FIG. 4

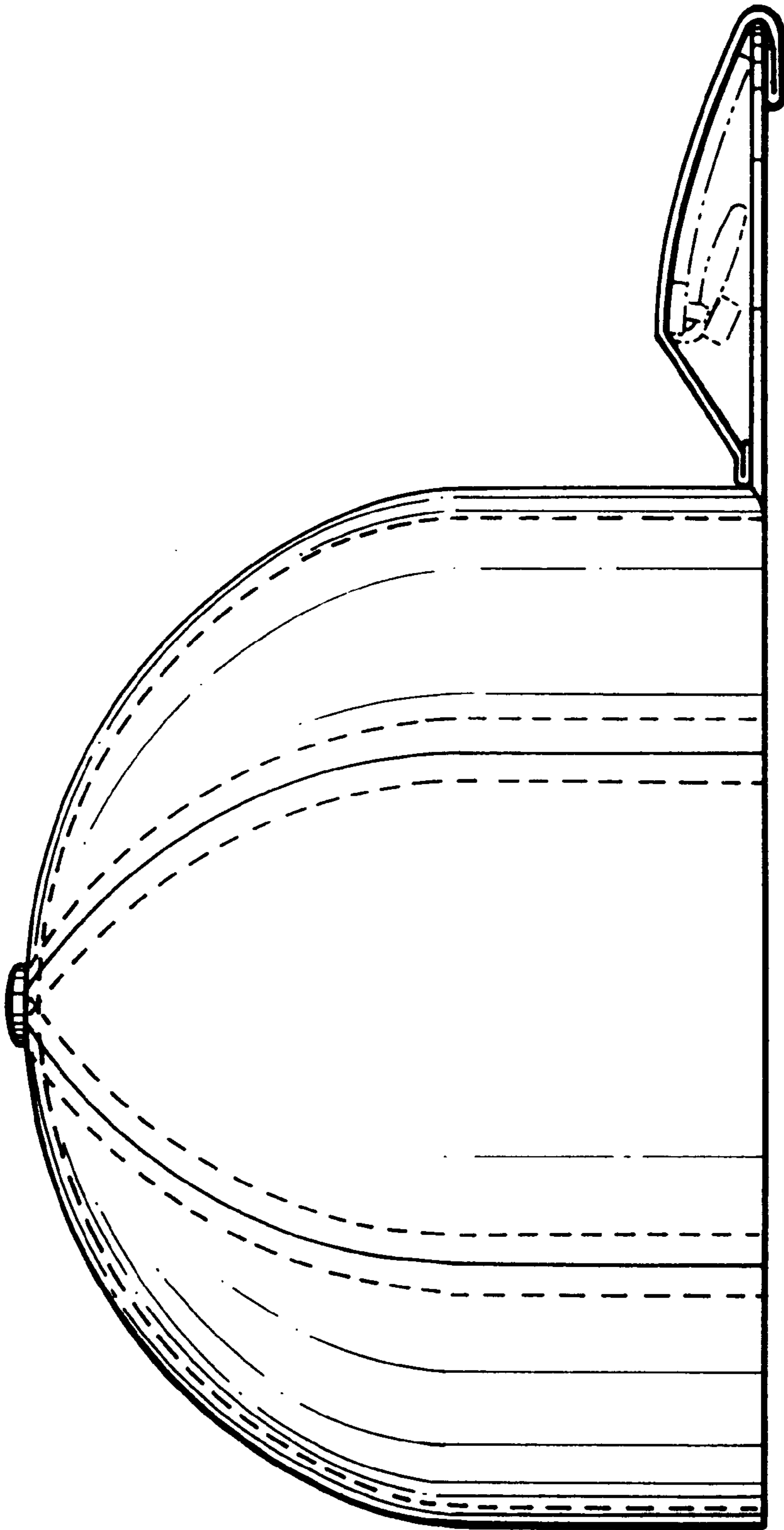


FIG. 5

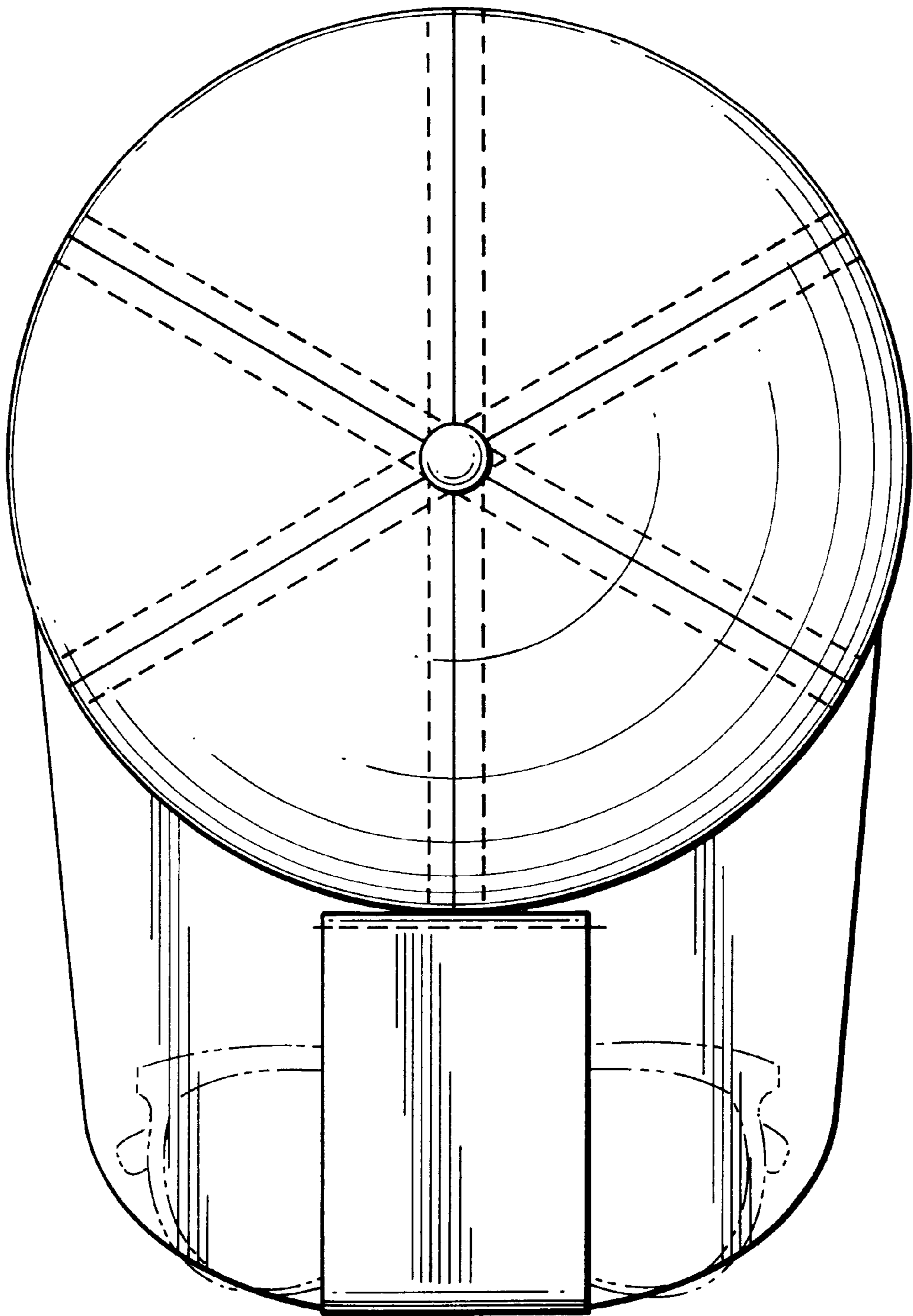


FIG. 6

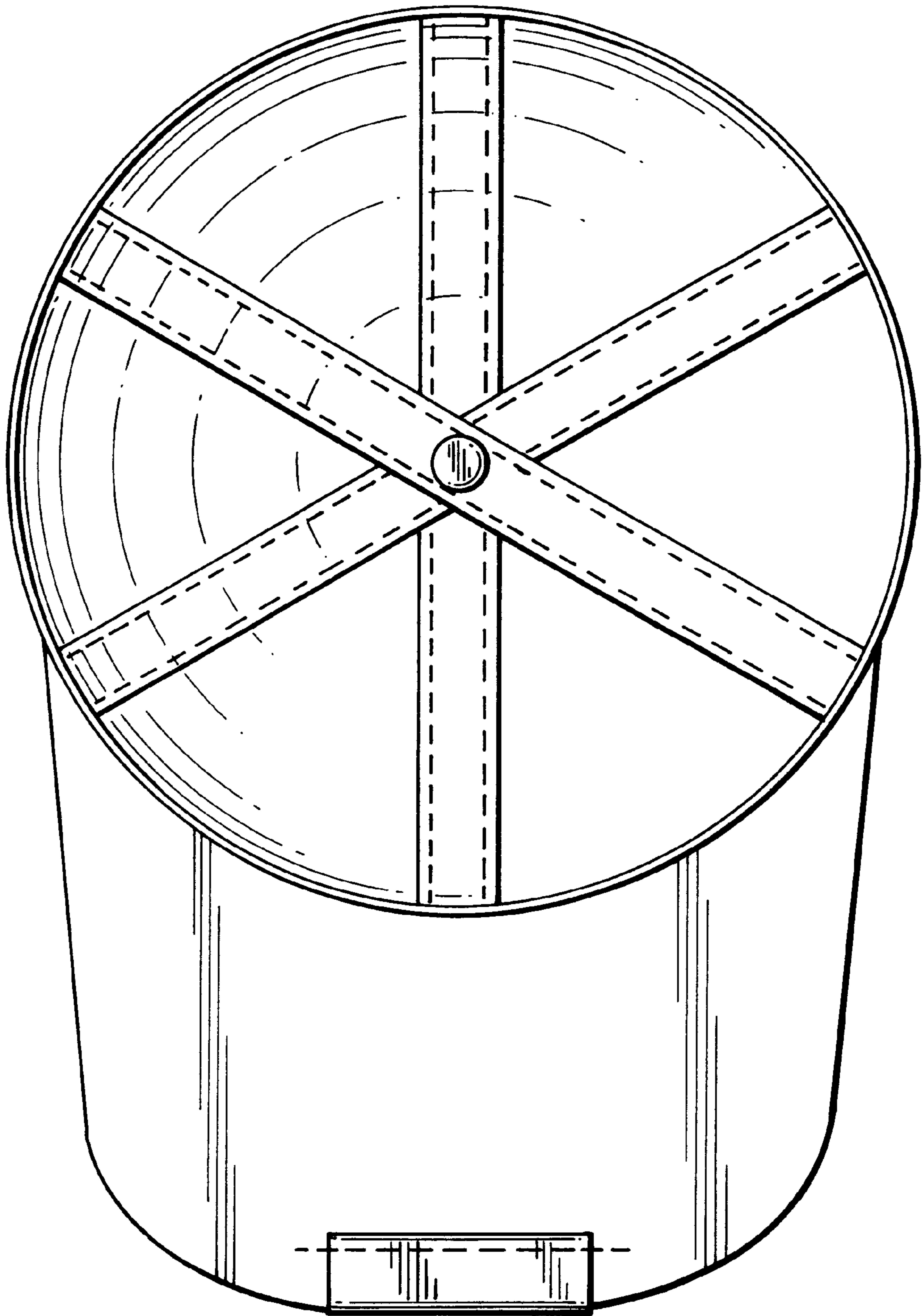


FIG. 7