



US00D429401S

# United States Patent [19]

Sato et al.

[11] Patent Number: **Des. 429,401**

[45] Date of Patent: **\*\* Aug. 8, 2000**

[54] **KIOSK**

[75] Inventors: **Yoko Sato; Yukio Kuroiwa; Tohru Higashihara**, all of Kokubunji; **Shinichi Sarugaku**, Narashino; **Akira Fujishiro**, Narashino; **Kazuyuki Terashima**, Narashino, all of Japan

[73] Assignee: **Hitachi Keiyo Engineering Co., Ltd.**, Chiba, Japan

[\*\*] Term: **14 Years**

[21] Appl. No.: **29/111,506**

[22] Filed: **Sep. 29, 1999**

### [30] Foreign Application Priority Data

Mar. 29, 1999 [JP] Japan ..... 11-7557

[51] **LOC (7) Cl.** ..... **14-02**

[52] **U.S. Cl.** ..... **D99/28**

[58] **Field of Search** ..... D99/28, 34, 35, D99/36, 41, 43; D6/436, 470; 109/1 R, 2, 24.1; D14/100, 102, 103, 104, 113; 235/379, 380

### [56] References Cited

#### U.S. PATENT DOCUMENTS

D. 264,764 6/1982 Freijd ..... D99/28

D. 303,448	9/1989	Noda et al. ....	D99/28
D. 317,071	5/1991	McFadden et al. ....	D99/28
D. 322,966	1/1992	Kasano et al. ....	D14/113
D. 327,766	7/1992	Swaine et al. ....	D99/28
D. 377,170	1/1997	Wilson ....	D14/130
D. 385,675	10/1997	Busby et al. ....	D99/28
D. 389,522	1/1998	Hesselbach et al. ....	D20/10
D. 407,755	4/1999	Isshiki et al. ....	D20/10
D. 410,129	5/1999	Molander et al. ....	D99/28
D. 417,893	12/1999	Hunter et al. ....	D20/10

*Primary Examiner*—Paula A. Mortimer  
*Attorney, Agent, or Firm*—Antonelli, Terry, Stout & Kraus, LLP

### [57] CLAIM

The ornamental design for a kiosk, as shown and described.

### DESCRIPTION

FIG. 1 is a front elevational view of a kiosk showing our new design;  
FIG. 2 is a right side elevational view thereof;  
FIG. 3 is a top plan view thereof;  
FIG. 4 is a bottom plan view thereof;  
FIG. 5 is a left side elevational view thereof;  
FIG. 6 is a rear side elevational view thereof; and,  
FIG. 7 is a front, top, and right side perspective view showing the body thereof tilted forward.

**1 Claim, 4 Drawing Sheets**

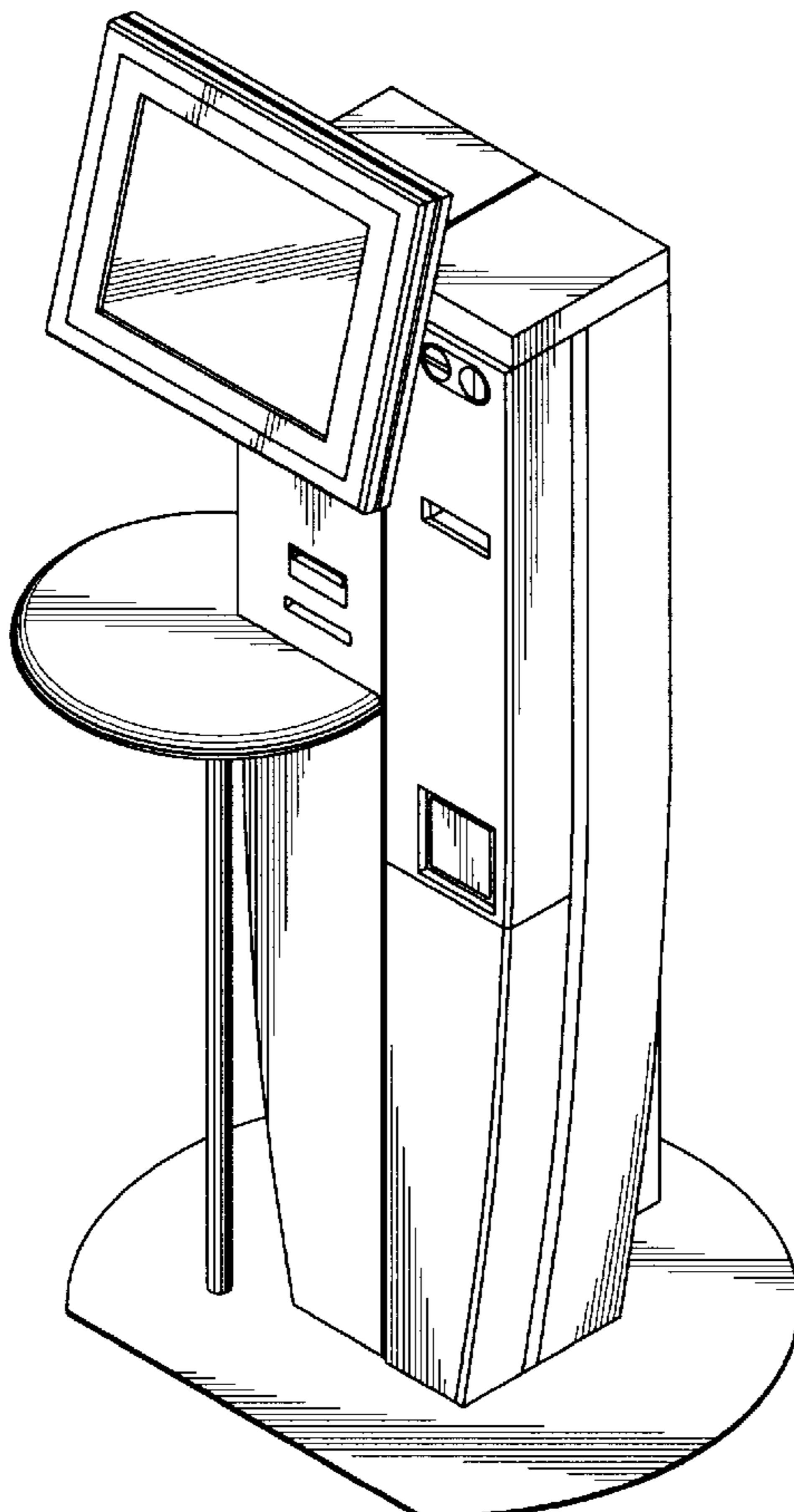


FIG. 1

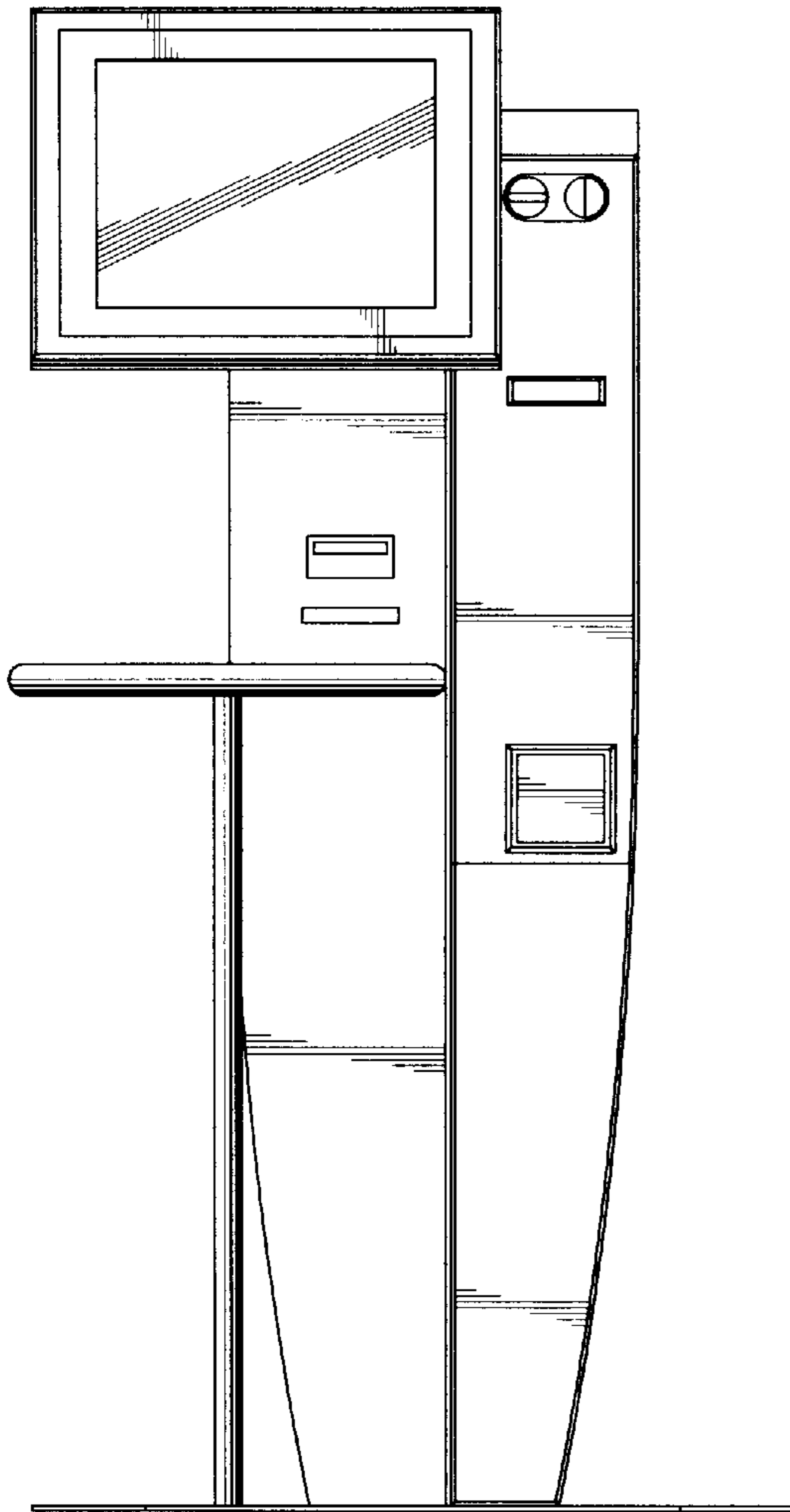


FIG. 2

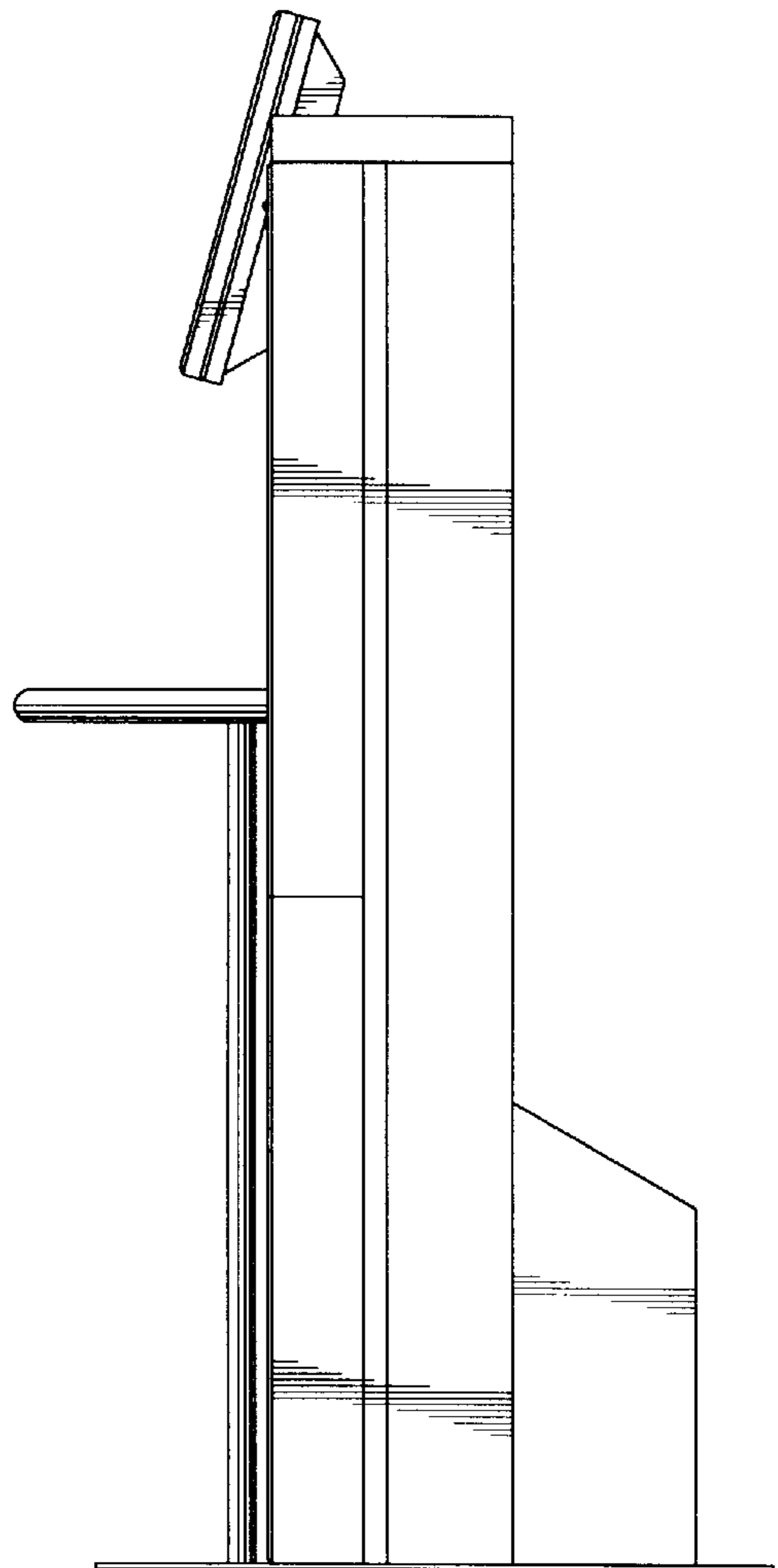


FIG. 3

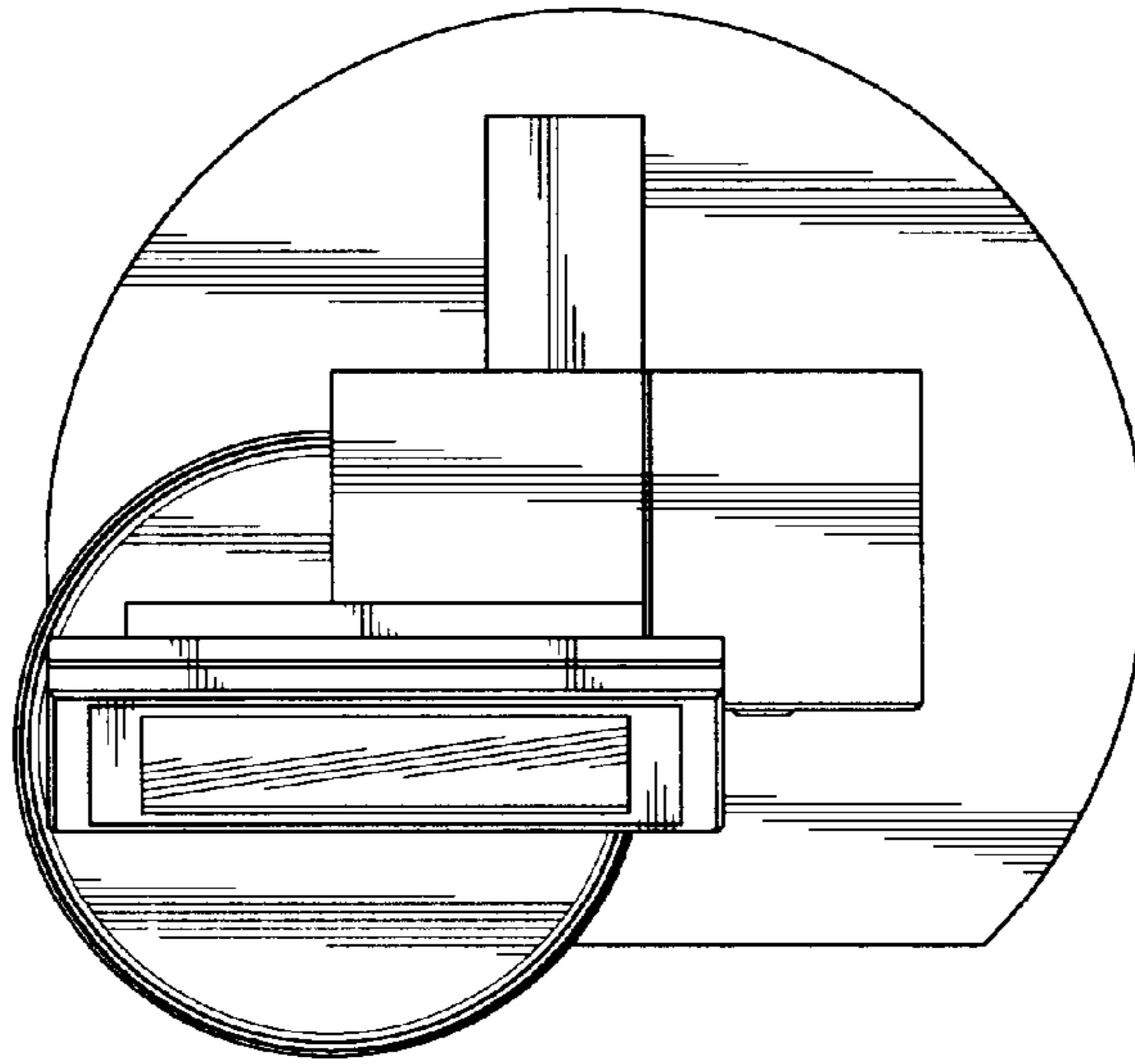


FIG. 4

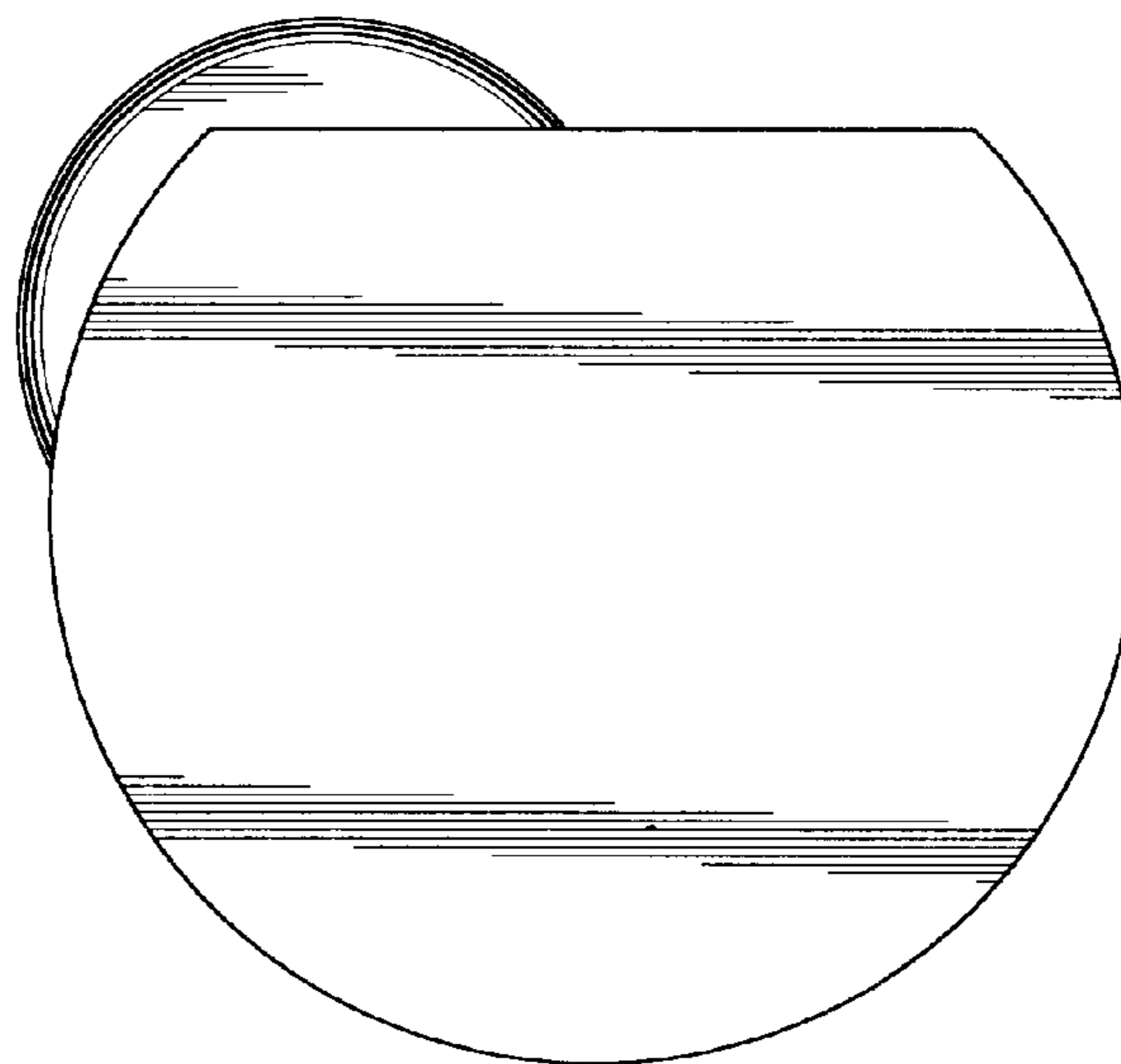


FIG. 5

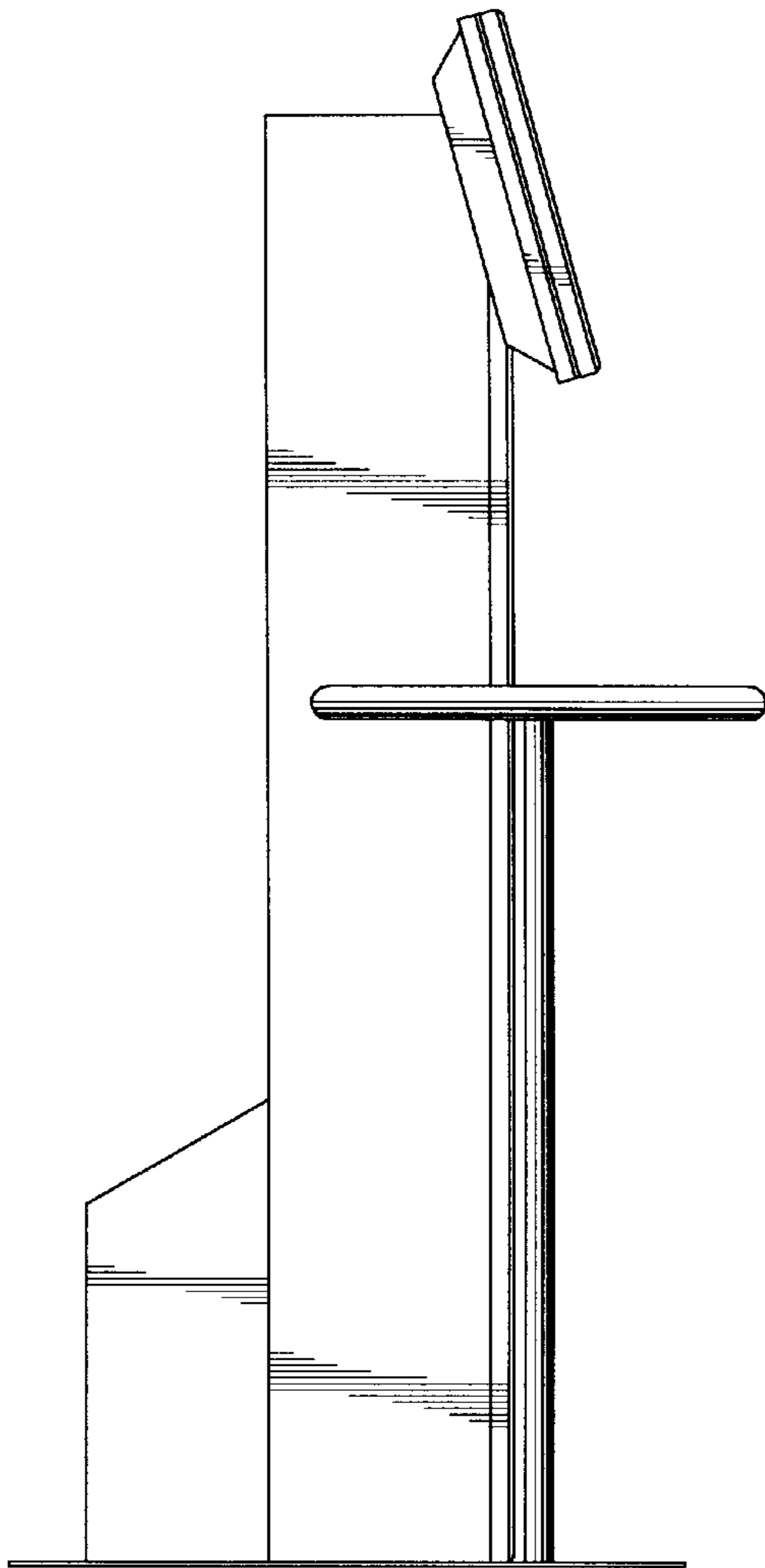


FIG. 6

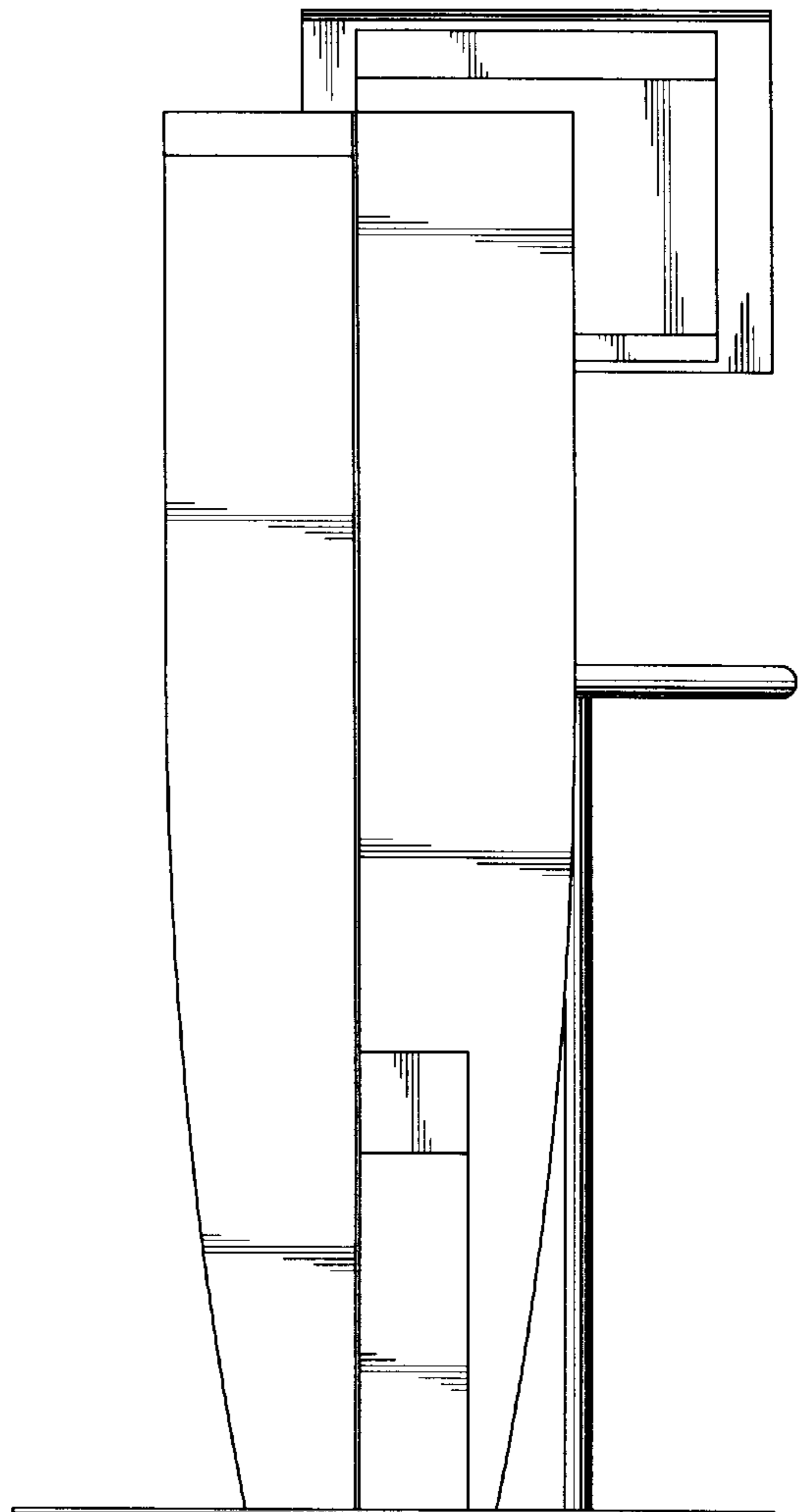


FIG. 7

