



US00D429398S

# United States Patent [19] Wysocki

[11] Patent Number: **Des. 429,398**

[45] Date of Patent: **\*\* Aug. 8, 2000**

[54] **REFUSE CART**  
[75] Inventor: **Edward H. Wysocki**, Kentwood, Mich.  
[73] Assignee: **Cascade Engineering, Inc.**, Grand Rapids, Mich.  
[\*\*] Term: **14 Years**

5,538,158 7/1996 Prout et al. .... 220/908  
5,547,104 8/1996 Parker ..... 220/908  
5,582,322 12/1996 Prout et al. .... 220/908  
5,730,451 3/1998 Walker ..... 220/908

[21] Appl. No.: **29/110,780**  
[22] Filed: **Sep. 13, 1999**

*Primary Examiner*—Susan J. Lucas  
*Assistant Examiner*—Cynthia E. Ramirez  
*Attorney, Agent, or Firm*—Rader, Fishman, Grauer & McGarry, An Office of Rader, Fishman & Grauer PLLC

[51] **LOC (7) Cl.** ..... **09-09**  
[52] **U.S. Cl.** ..... **D34/1**  
[58] **Field of Search** ..... D34/1, 5, 6, 7,  
D34/8, 11; 220/908, 909, 910, 911; 232/43.2

### [57] CLAIM

I claim the design for a refuse cart, as shown and described.

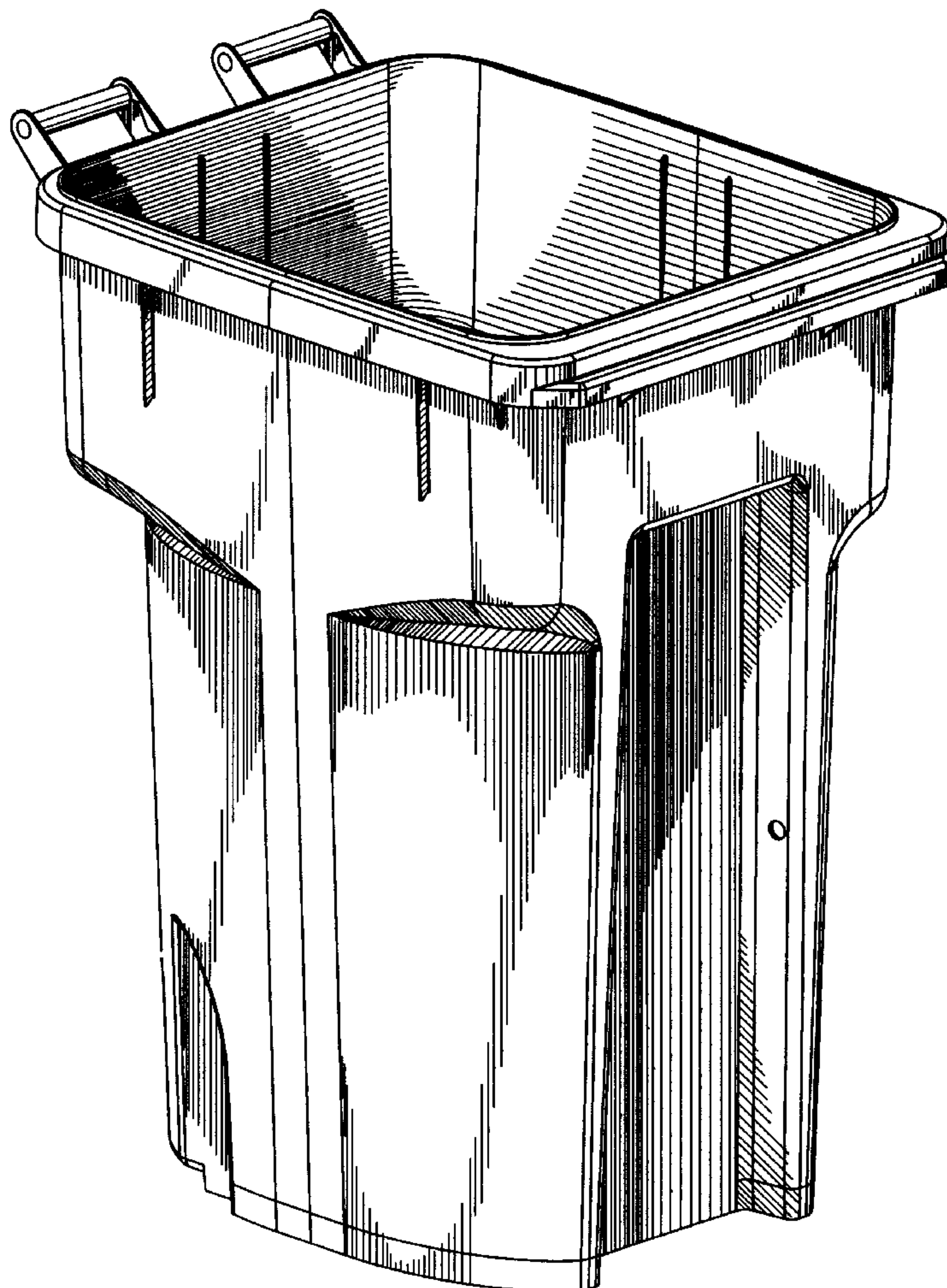
### [56] References Cited U.S. PATENT DOCUMENTS

### DESCRIPTION

D. 332,852 1/1993 Delmerico ..... D34/5  
D. 400,332 10/1998 Sanden, Jr. .... D34/10  
4,836,394 6/1989 Glomski ..... 220/908  
4,930,653 6/1990 Machado ..... 220/909  
5,251,780 10/1993 Lee ..... 220/908  
5,356,027 10/1994 Craft et al. .... 220/908

FIG. 1 is a front perspective view of a refuse cart embodying my new design;  
FIG. 2 is a rear perspective view thereof;  
FIG. 3 is a left elevation view thereof; the right elevation view being a mirror image thereof;  
FIG. 4 is a front elevation view thereof;  
FIG. 5 is a rear elevation view thereof;  
FIG. 6 is a top view thereof; and,  
FIG. 7 is a bottom view thereof.

**1 Claim, 6 Drawing Sheets**



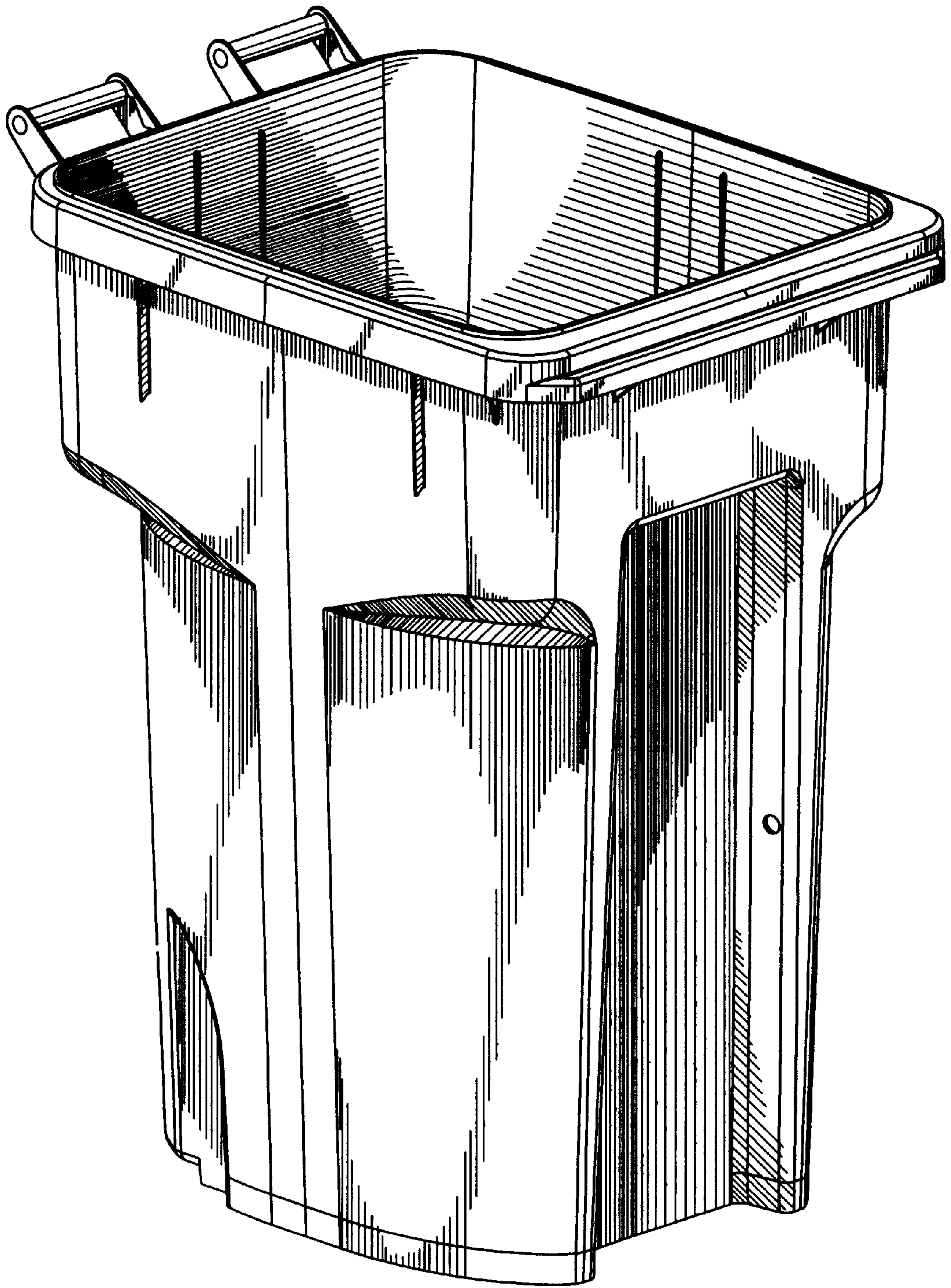


Fig. 1



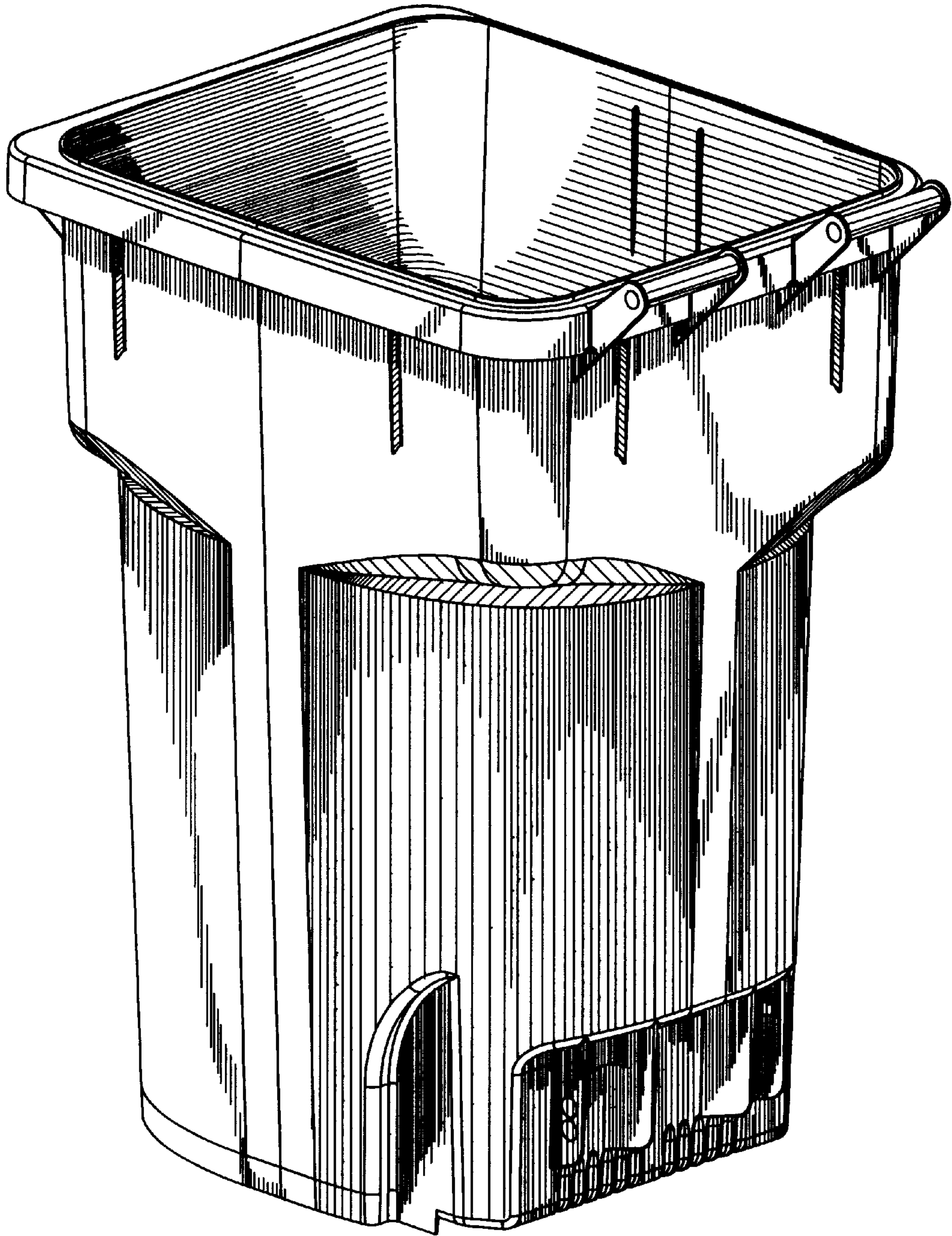


Fig 2

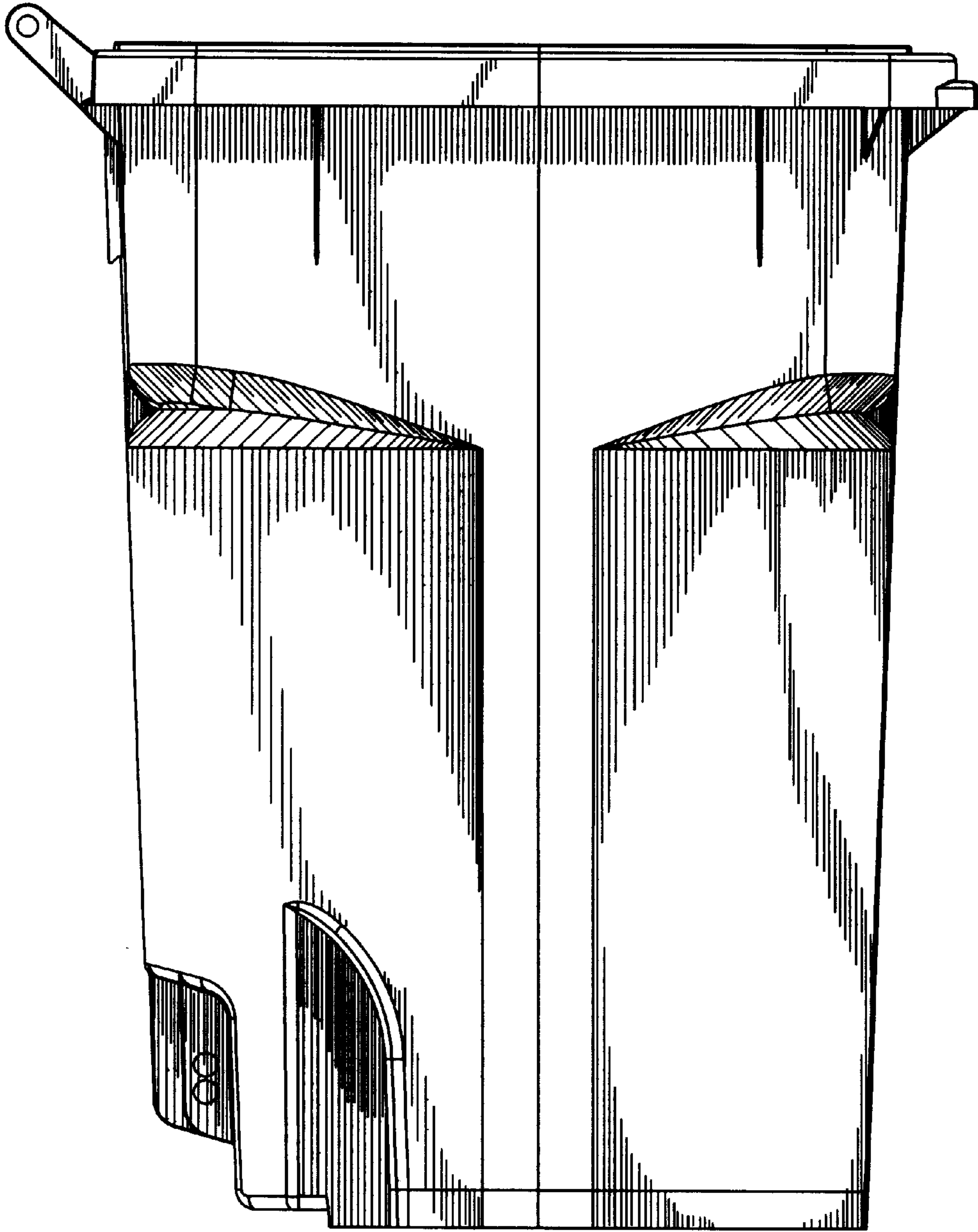
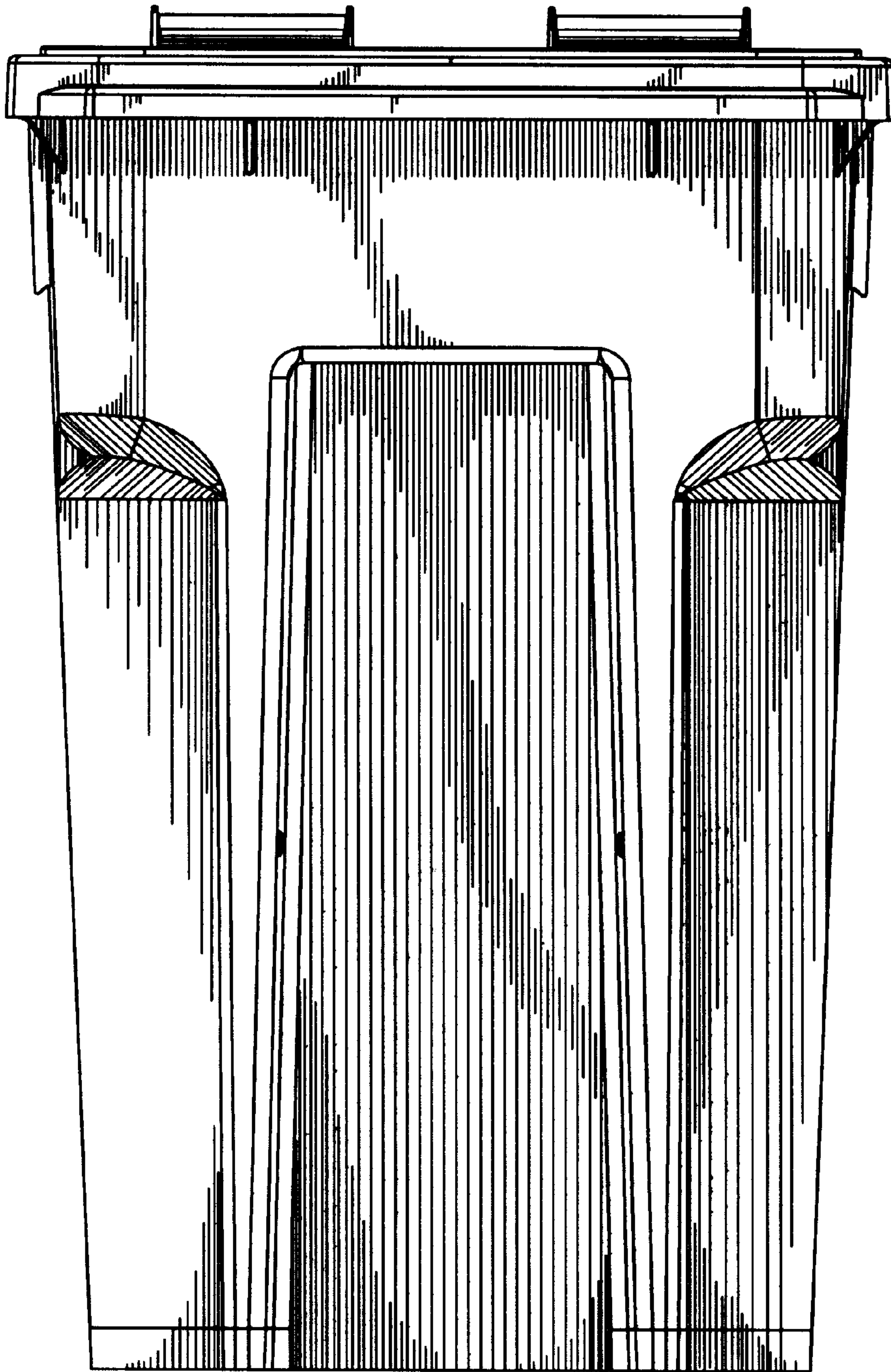
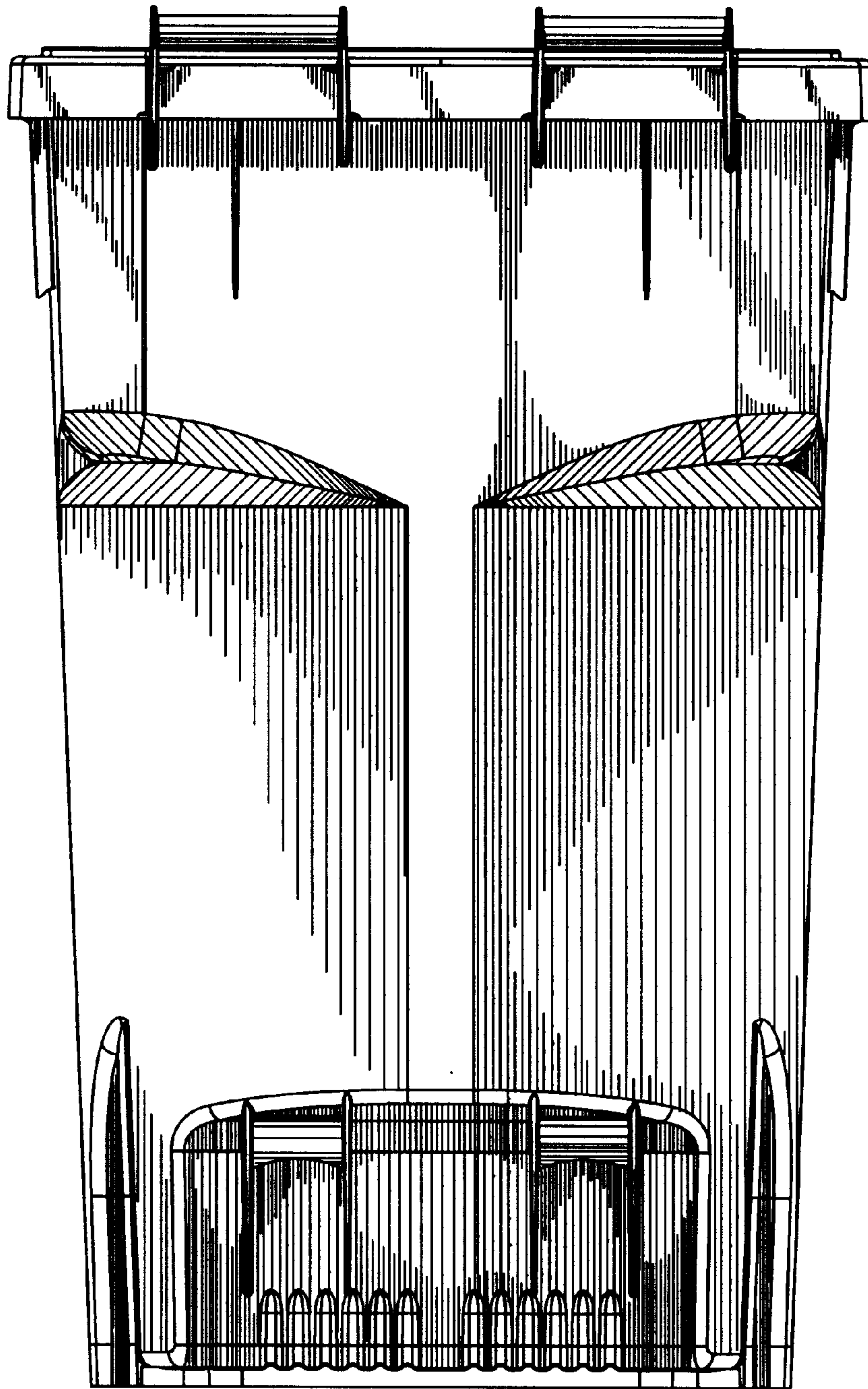


Fig. 3



**Fig. 4**



**Fig 5**



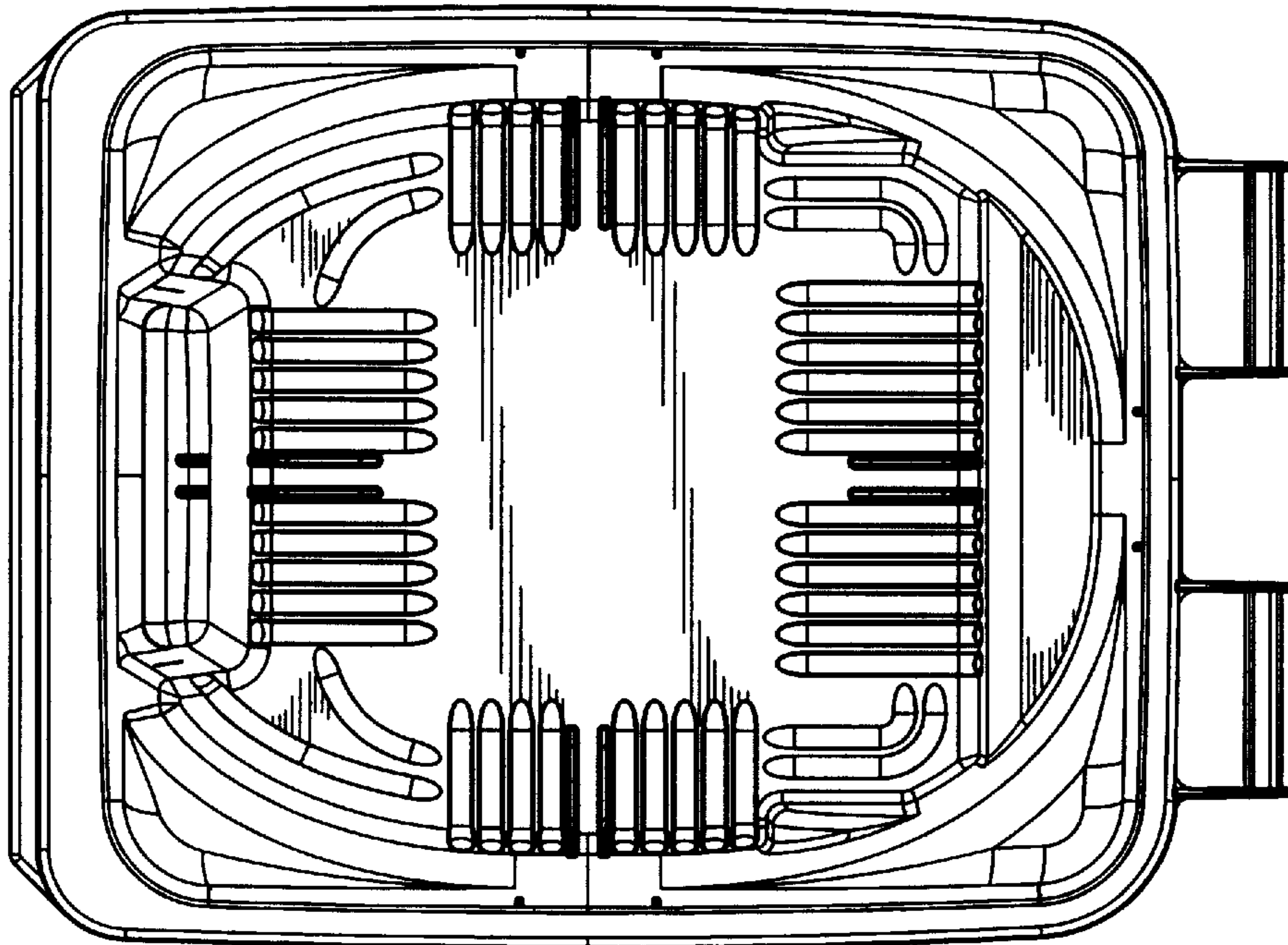


Fig. 6

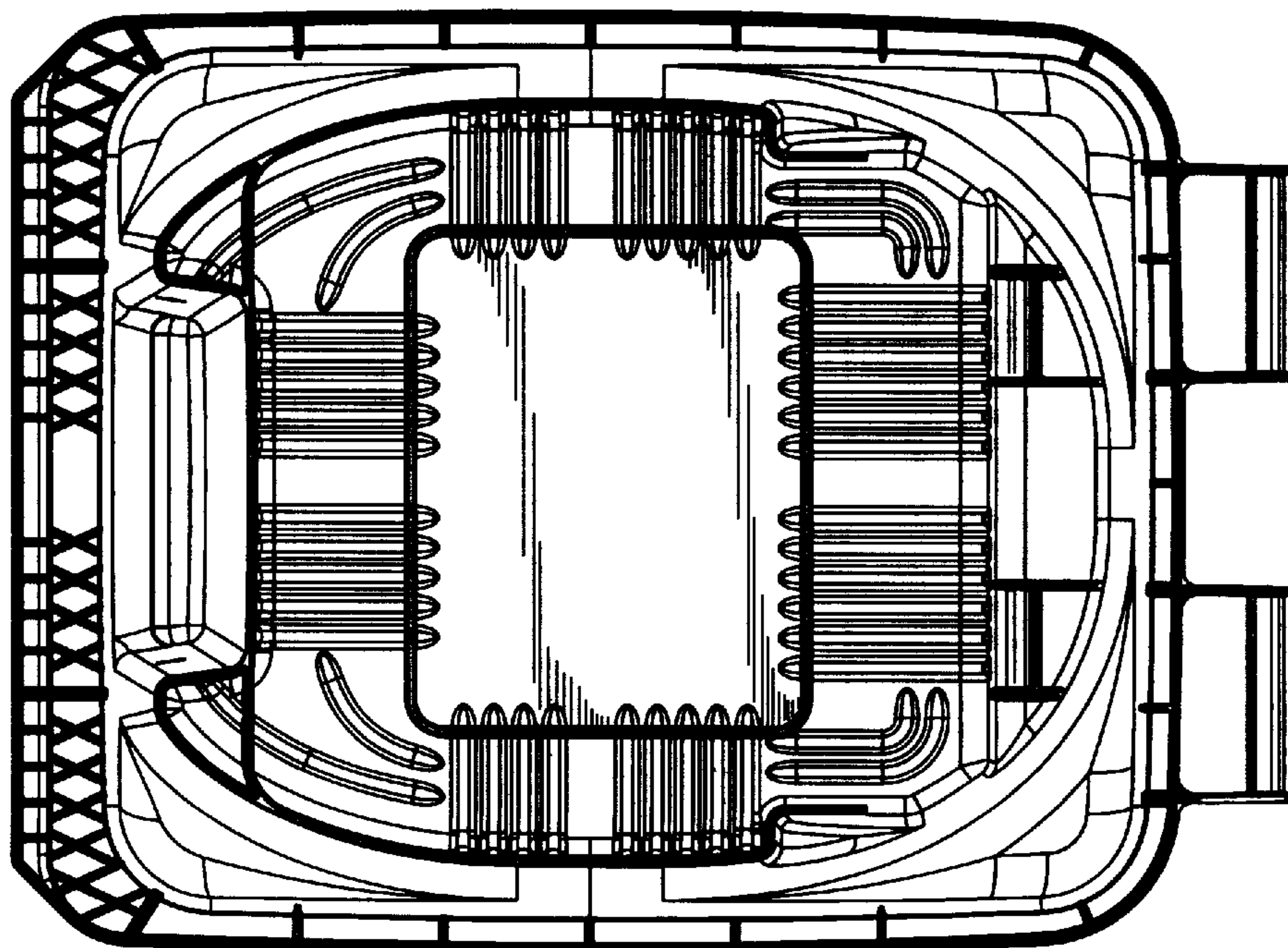


Fig. 7