



US00D429397S

United States Patent [19]
Axhamre

[11] **Patent Number: Des. 429,397**

[45] **Date of Patent: ** Aug. 8, 2000**

[54] **PAINT RECEPTACLE HAVING REMOVABLE INSERTS**

5,386,922 2/1995 Jordan 220/23.83
5,890,614 4/1999 Dancyger 220/528

[76] Inventor: **Lennart Axhamre**, Box 205 S-430 30, Frillesåas, Sweden

Primary Examiner—Robin V. Taylor
Attorney, Agent, or Firm—Howson & Howson

[**] Term: **14 Years**

[57] **CLAIM**

[21] Appl. No.: **29/115,836**

The ornamental design for a paint receptacle having removable inserts, as shown and described.

[22] Filed: **Dec. 22, 1999**

DESCRIPTION

Related U.S. Application Data

[62] Division of application No. 29/094,583, Oct. 5, 1998.

FIG. 1 is a perspective view of a paint receptacle showing my new design;

[51] **LOC (7) Cl.** **07-07**

FIG. 2 is a top plan view of the inserts of FIG. 1; and,

[52] **U.S. Cl.** **D32/53**

FIG. 3 is a perspective view showing the paint receptacle of FIG. 1 with the cover.

[58] **Field of Search** D32/53, 53.1, D32/54; 220/505, 528-9, 4.27, 23.87, 23.88

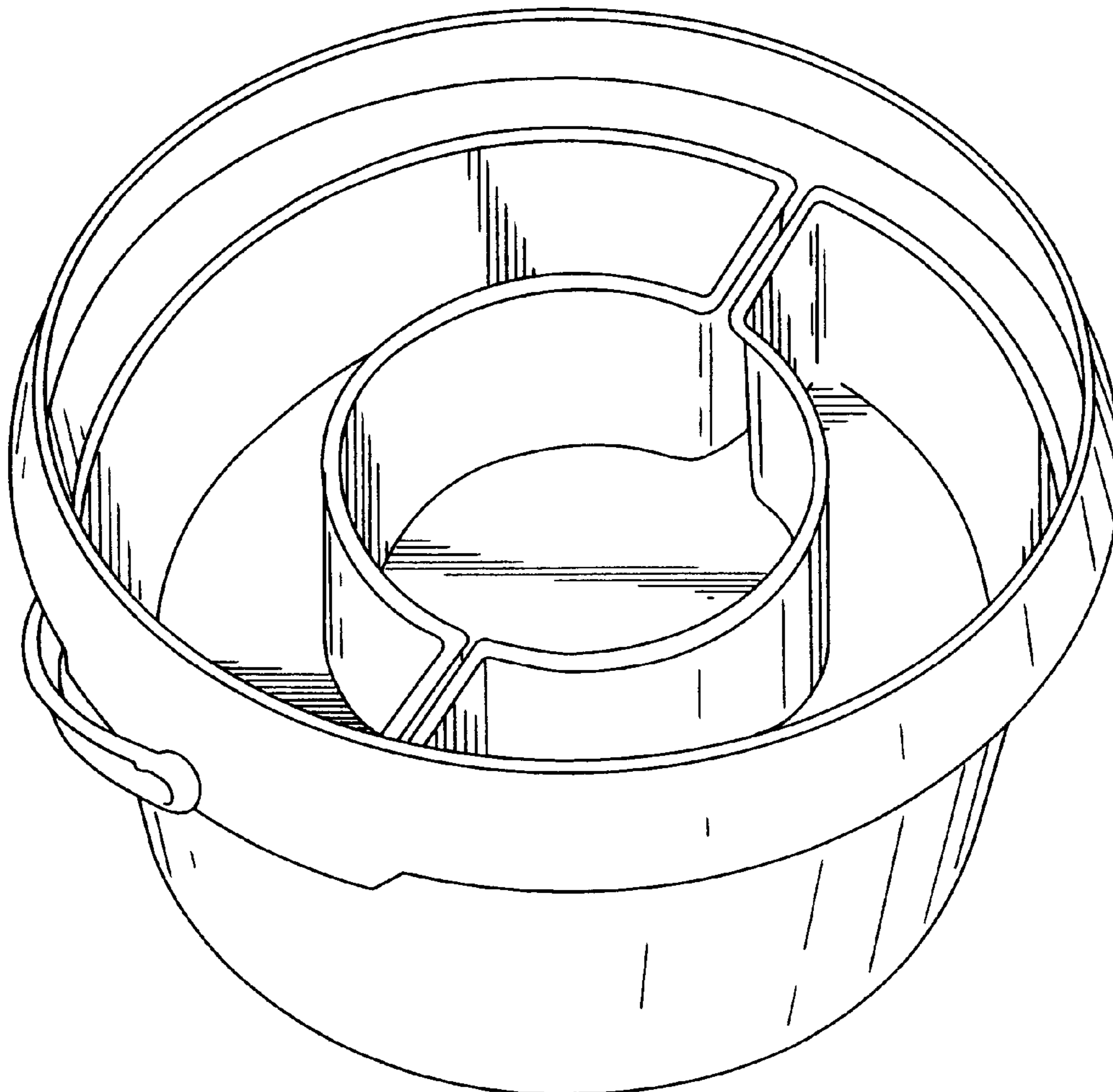
The surface(s) or portion(s) of the article not shown in the drawing or described in the specification form(s) no part of the claimed design.

[56] **References Cited**

U.S. PATENT DOCUMENTS

D. 171,578 3/1954 Brucker D32/53

1 Claim, 3 Drawing Sheets



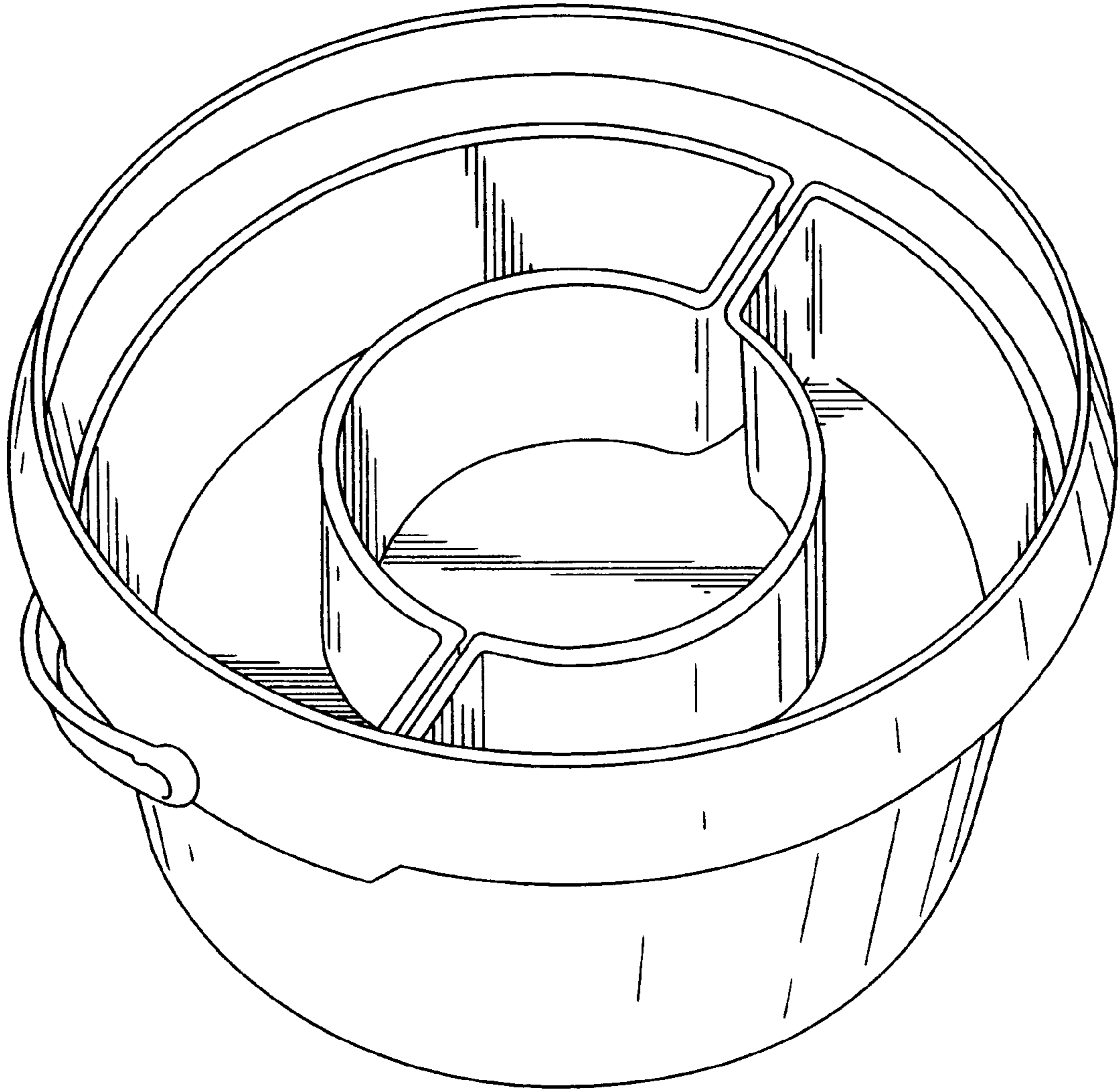


Fig 1

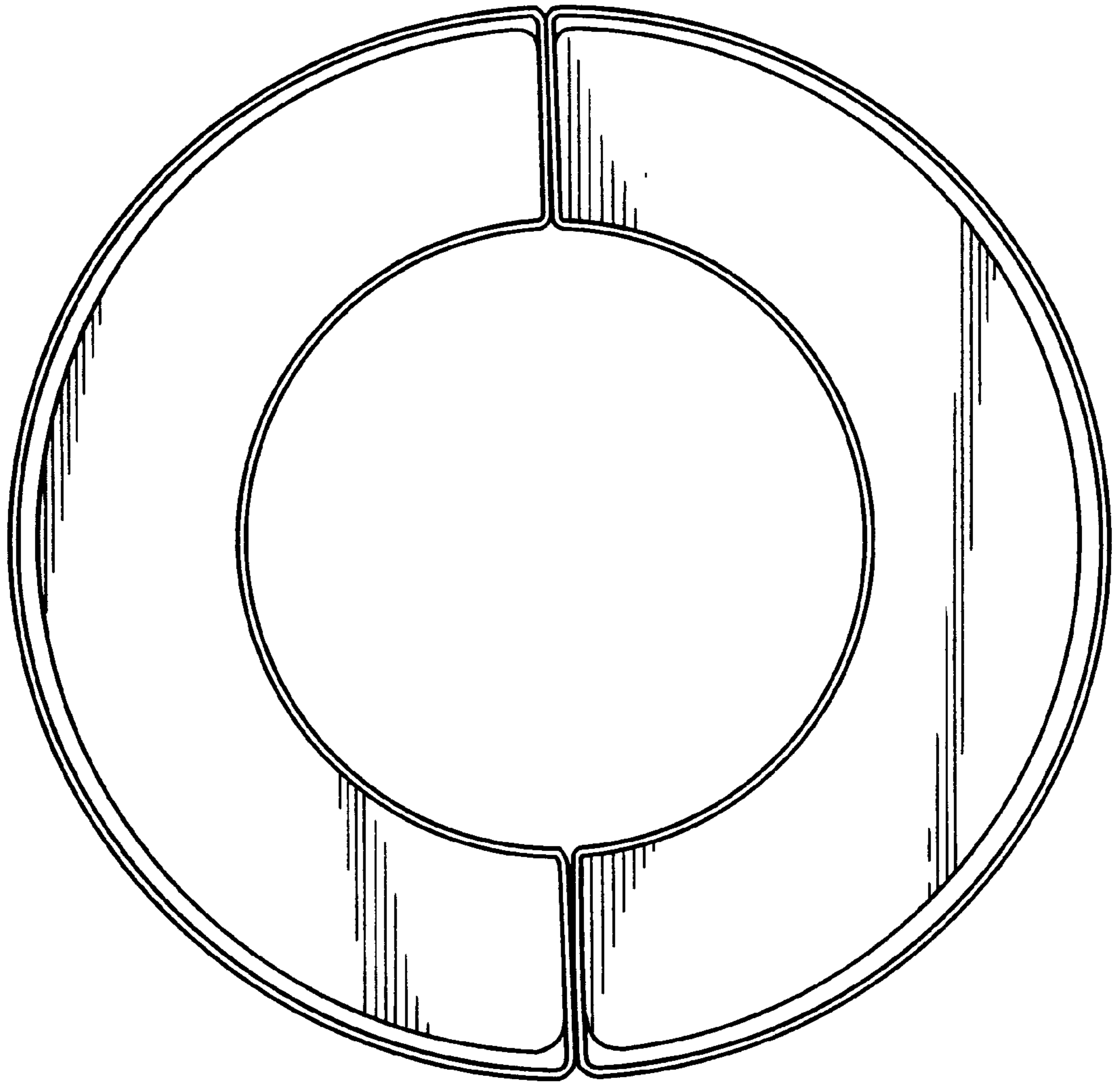


Fig 2

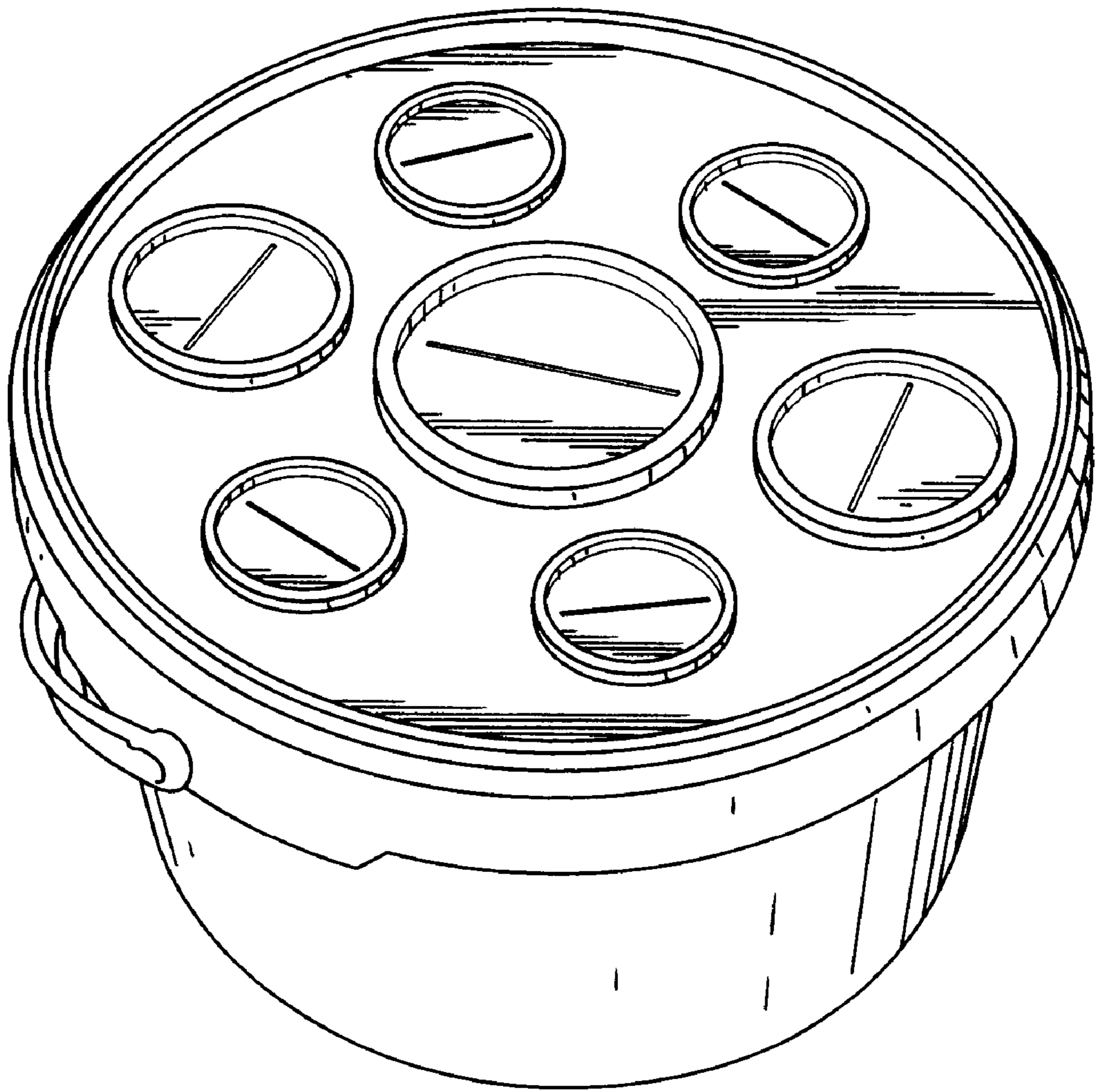


Fig. 3