



US00D429396S

United States Patent [19]
Houry et al.

[11] **Patent Number: Des. 429,396**

[45] **Date of Patent: ** Aug. 8, 2000**

[54] **MOP BUCKET**

[75] Inventors: **Robert L. Houry; Richard H. Brooks,**
both of Chesterfield, Mo.

[73] Assignee: **Contico International, LLC,** St. Louis,
Mo.

[**] Term: **14 Years**

[21] Appl. No.: **29/111,924**

[22] Filed: **Oct. 6, 1999**

[51] **LOC (7) Cl.** **07-07**

[52] **U.S. Cl.** **D32/53**

[58] **Field of Search** D32/53, 53.1,
D32/54; 15/260, 262, 264; 220/904

[56] **References Cited**

U.S. PATENT DOCUMENTS

- D. 236,796 9/1975 Deuschle D32/53
- D. 417,051 11/1999 Dickinson et al. D32/53

Primary Examiner—Robin V. Taylor
Attorney, Agent, or Firm—Howell & Haferkamp, L.C.

[57] **CLAIM**

The ornamental design for a mop bucket, as shown and described.

DESCRIPTION

FIG. 1 is a perspective view of a mop bucket showing our new design;

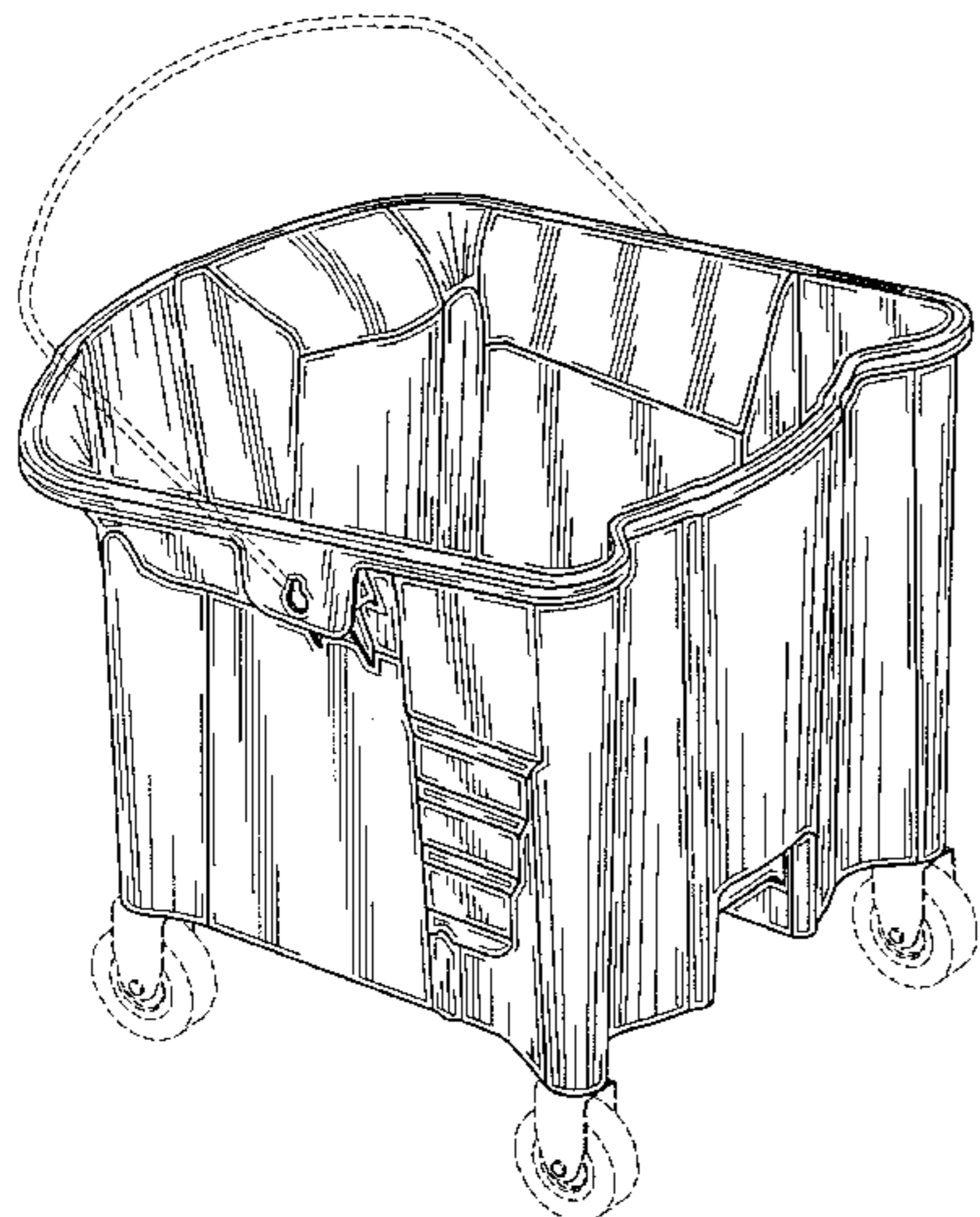


FIG. 2 is another perspective view of the mop bucket of FIG. 1;

FIG. 3 is a front elevation view of the mop bucket of FIG. 1;

FIG. 4 is a rear elevation view of the mop bucket of FIG. 1;

FIG. 5 is a left side elevation view of the mop bucket of FIG. 1, the right side elevation view being a mirror image thereof;

FIG. 6 is a top plan view of the mop bucket of FIG. 1;

FIG. 7 is a bottom plan view of the mop bucket of FIG. 1;

FIG. 8 is a perspective view of a second embodiment of a mop bucket showing our new design;

FIG. 9 is another perspective view of the mop bucket of FIG. 8;

FIG. 10 is a front elevation view of the mop bucket of FIG. 8;

FIG. 11 is a rear elevation view of the mop bucket of FIG. 8;

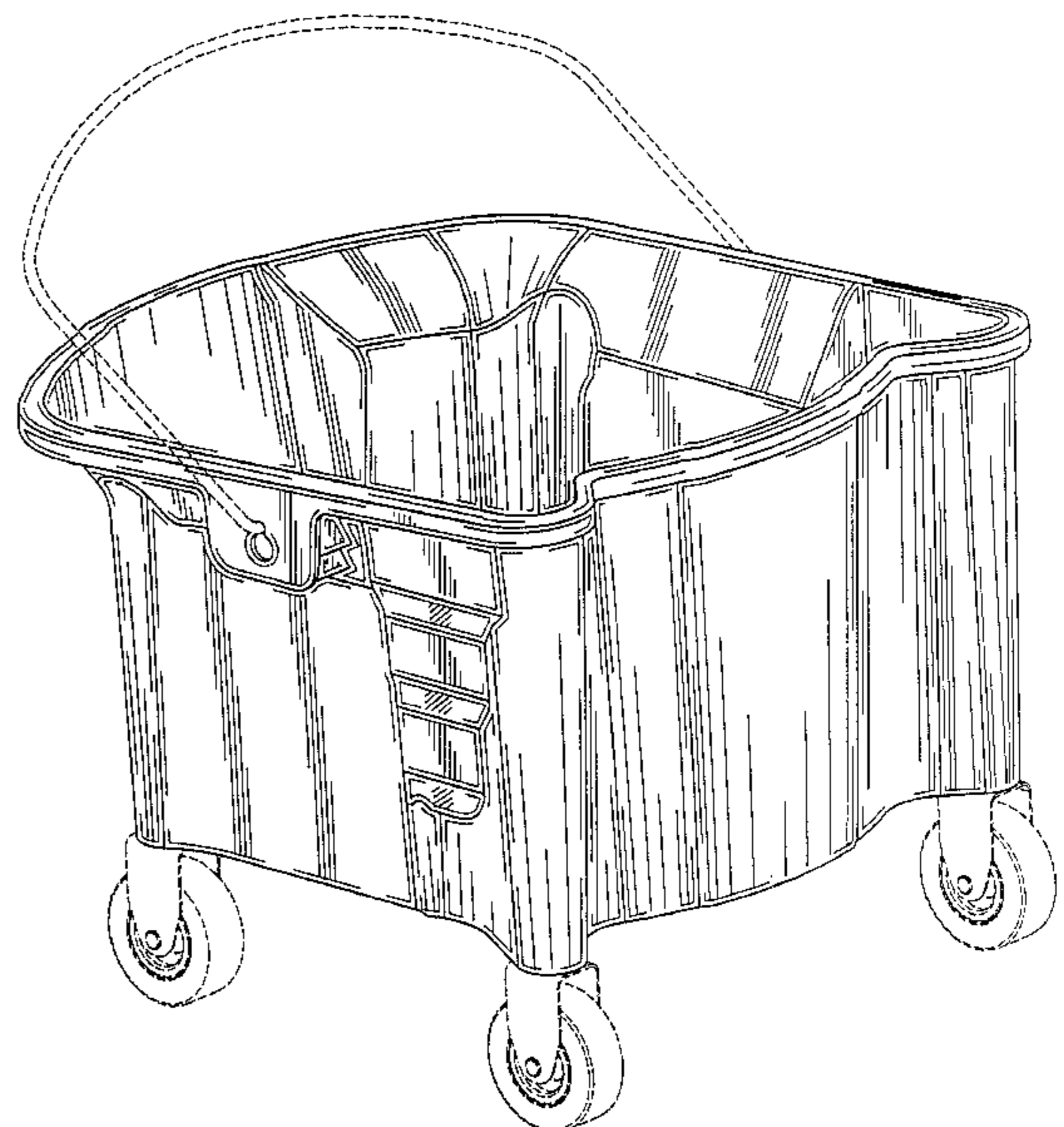
FIG. 12 is a left side elevation view of the mop bucket of FIG. 8, the right side elevation view being a mirror image thereof;

FIG. 13 is a top plan view of the mop bucket of FIG. 8; and,

FIG. 14 is a bottom plan view of the mop bucket of FIG. 8.

The broken line representation of the wheels, the drain spigot, and the handle are for illustrative purposes only and form no part of the claimed design.

1 Claim, 14 Drawing Sheets



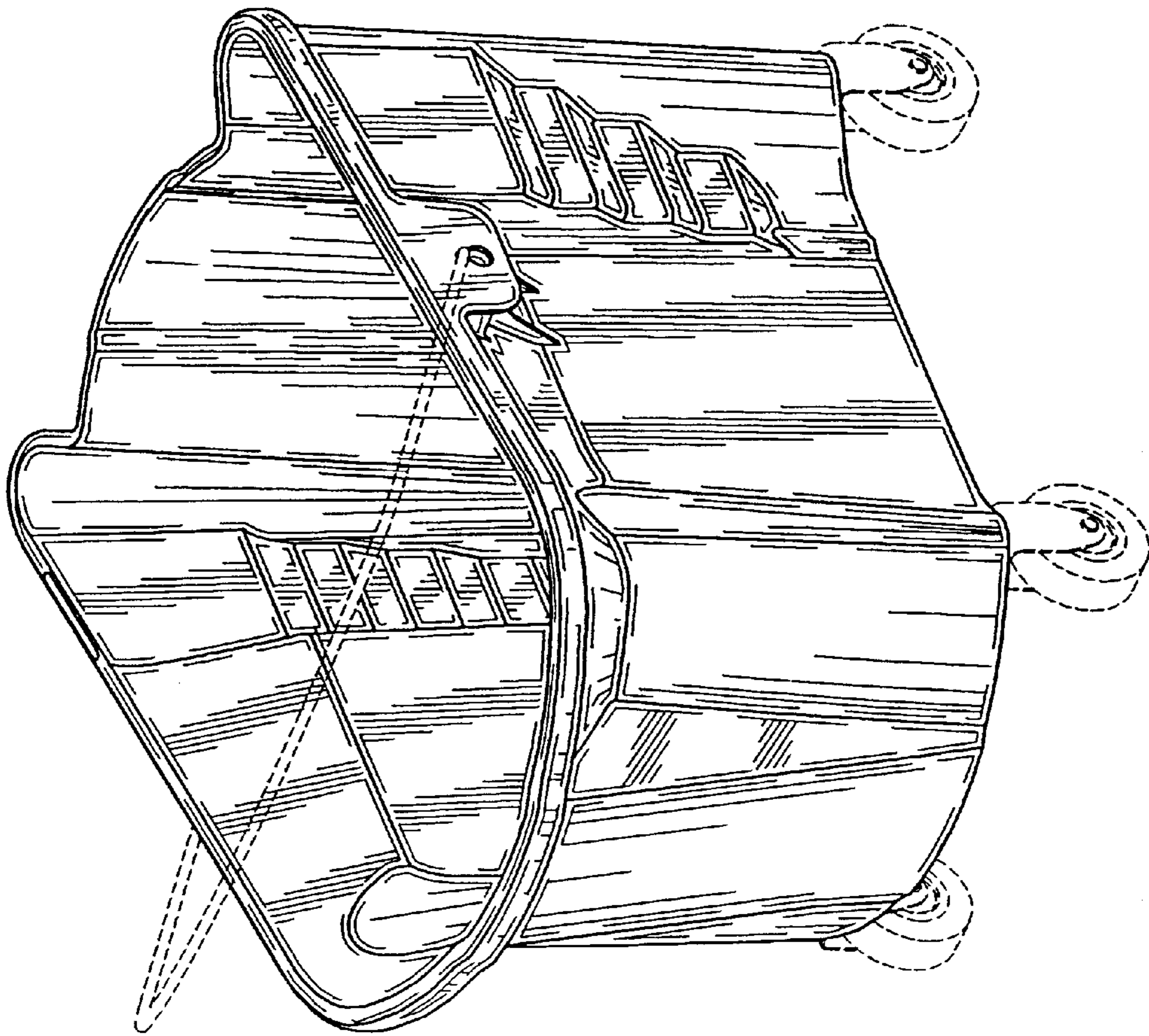


Fig. 1

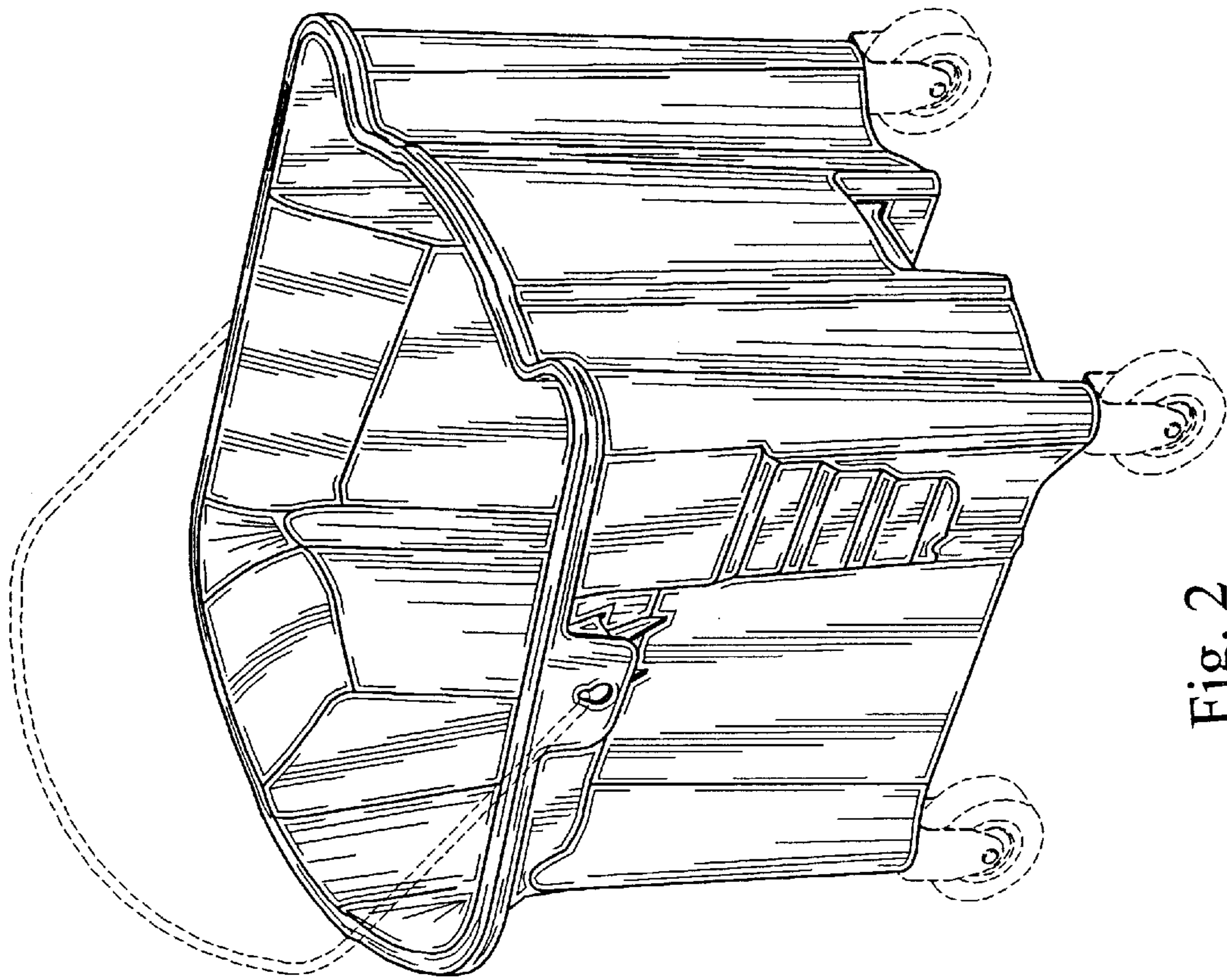


Fig. 2

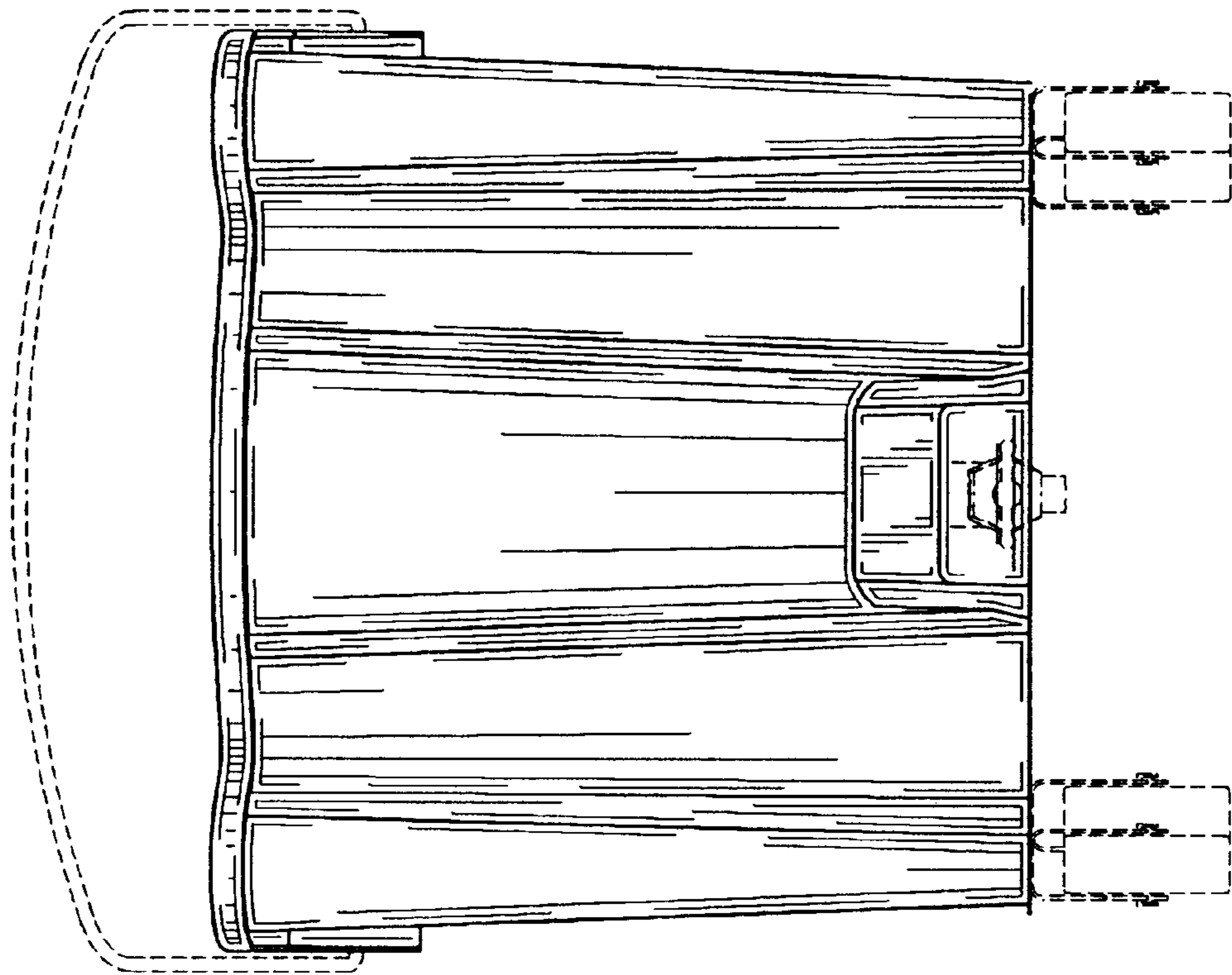


Fig. 3

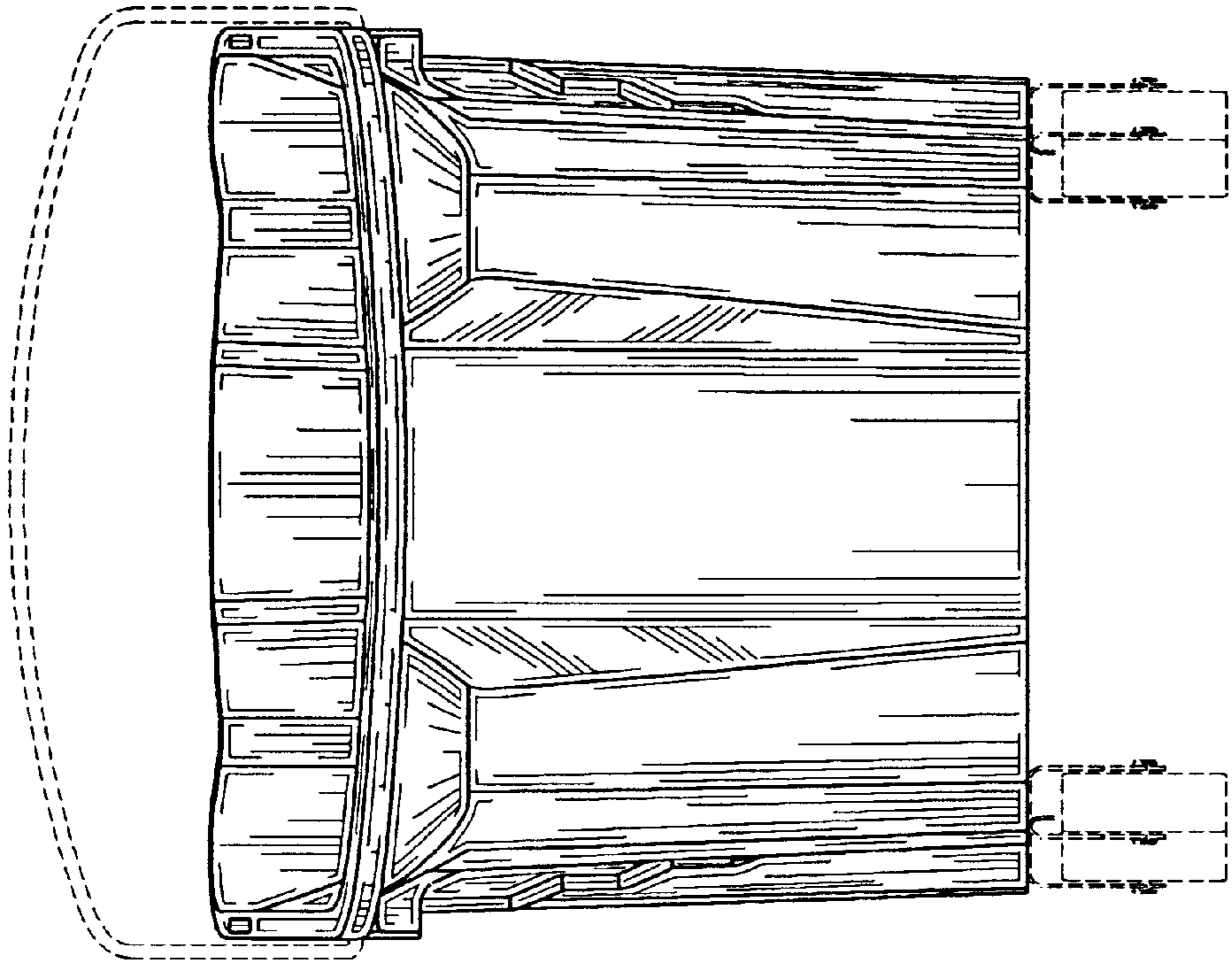


Fig. 4

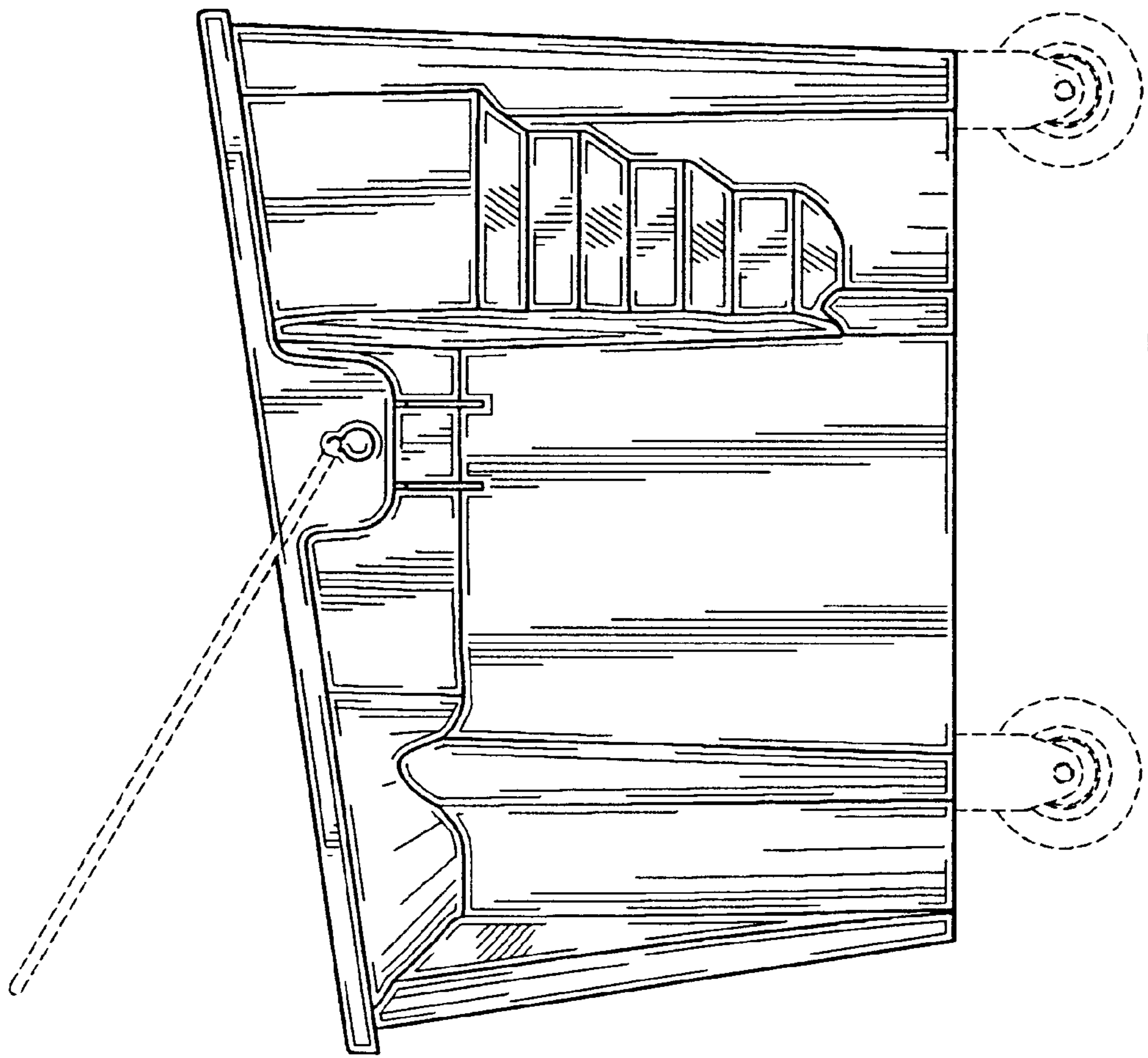


Fig. 5

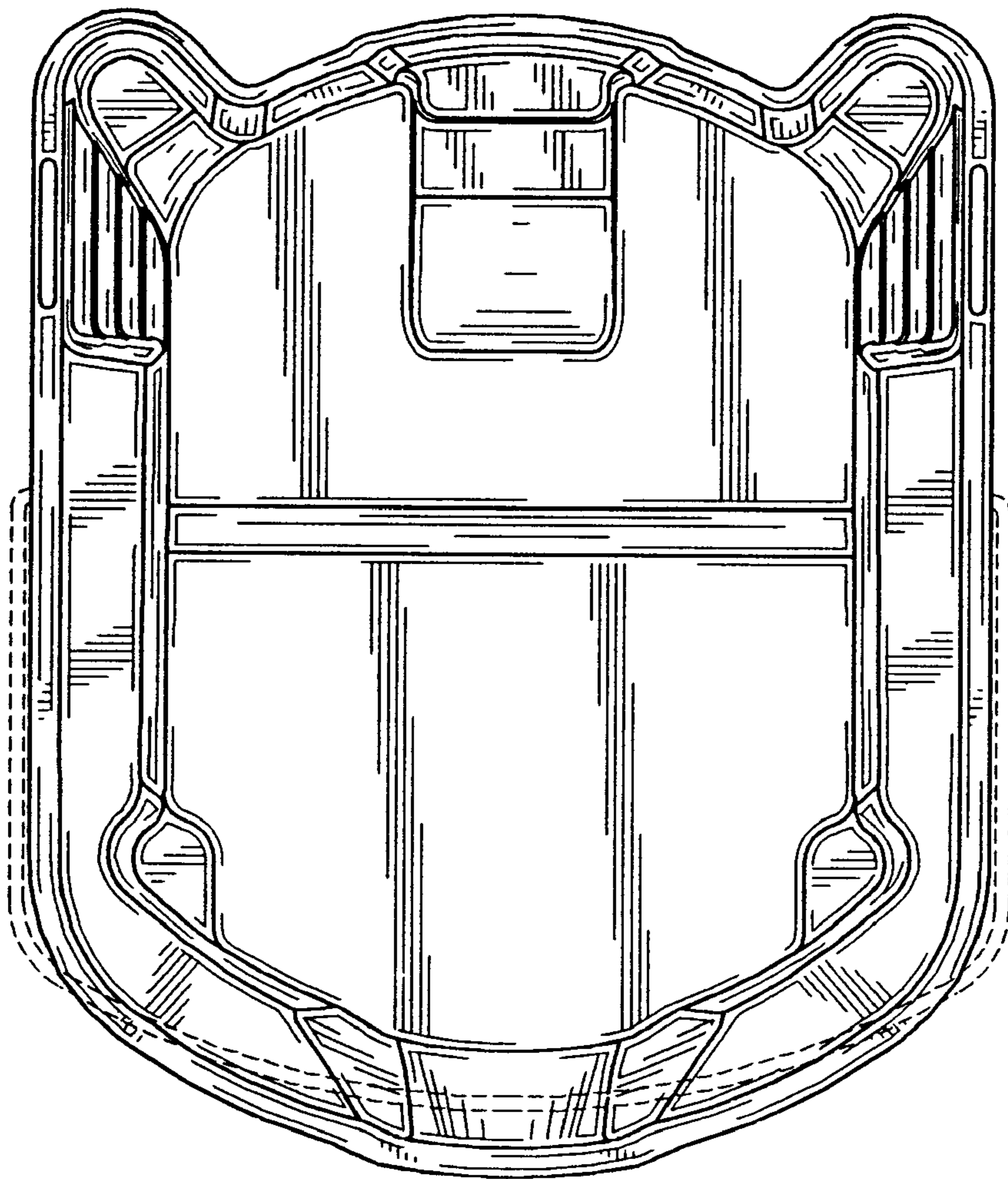


Fig. 6

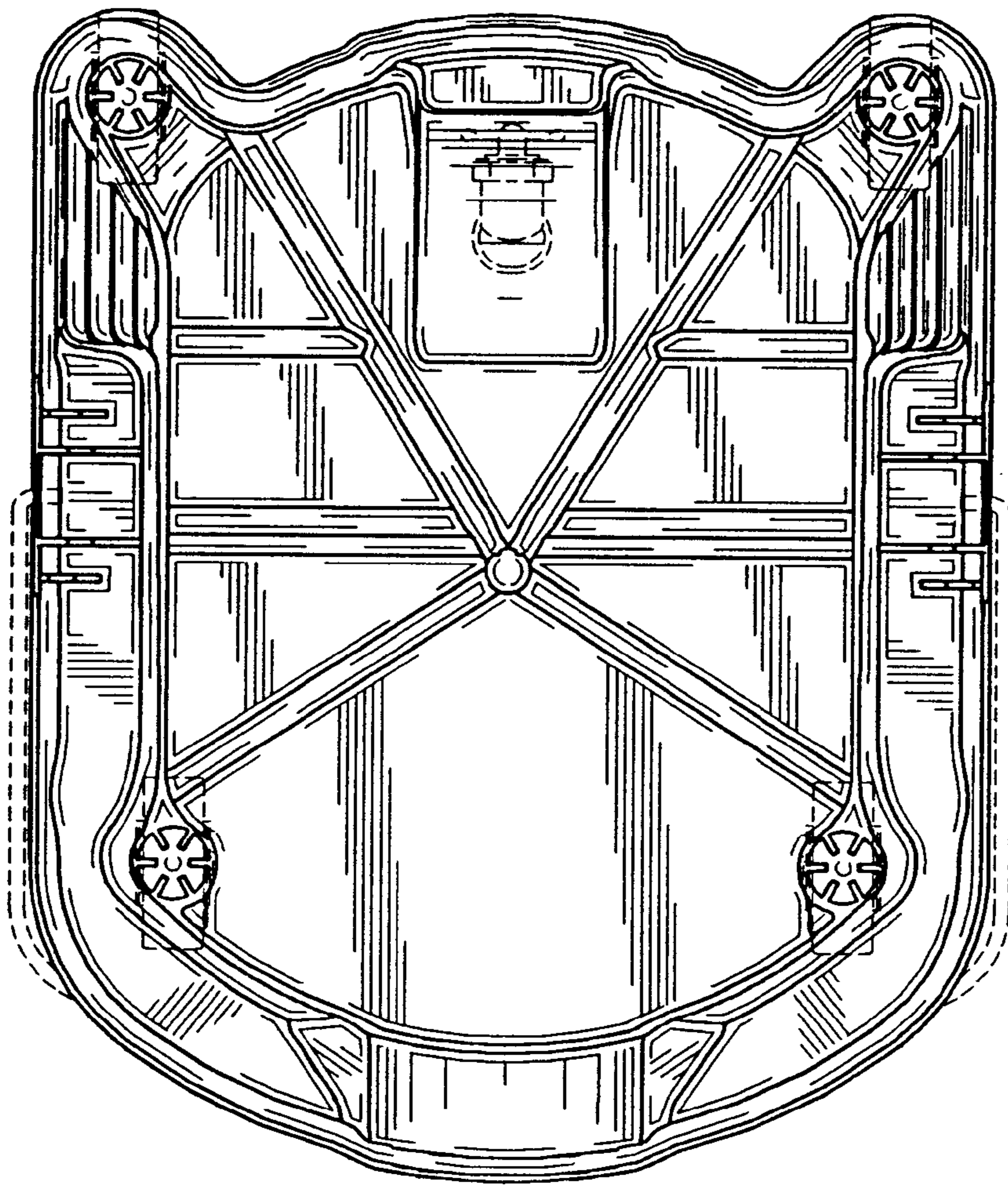


Fig. 7

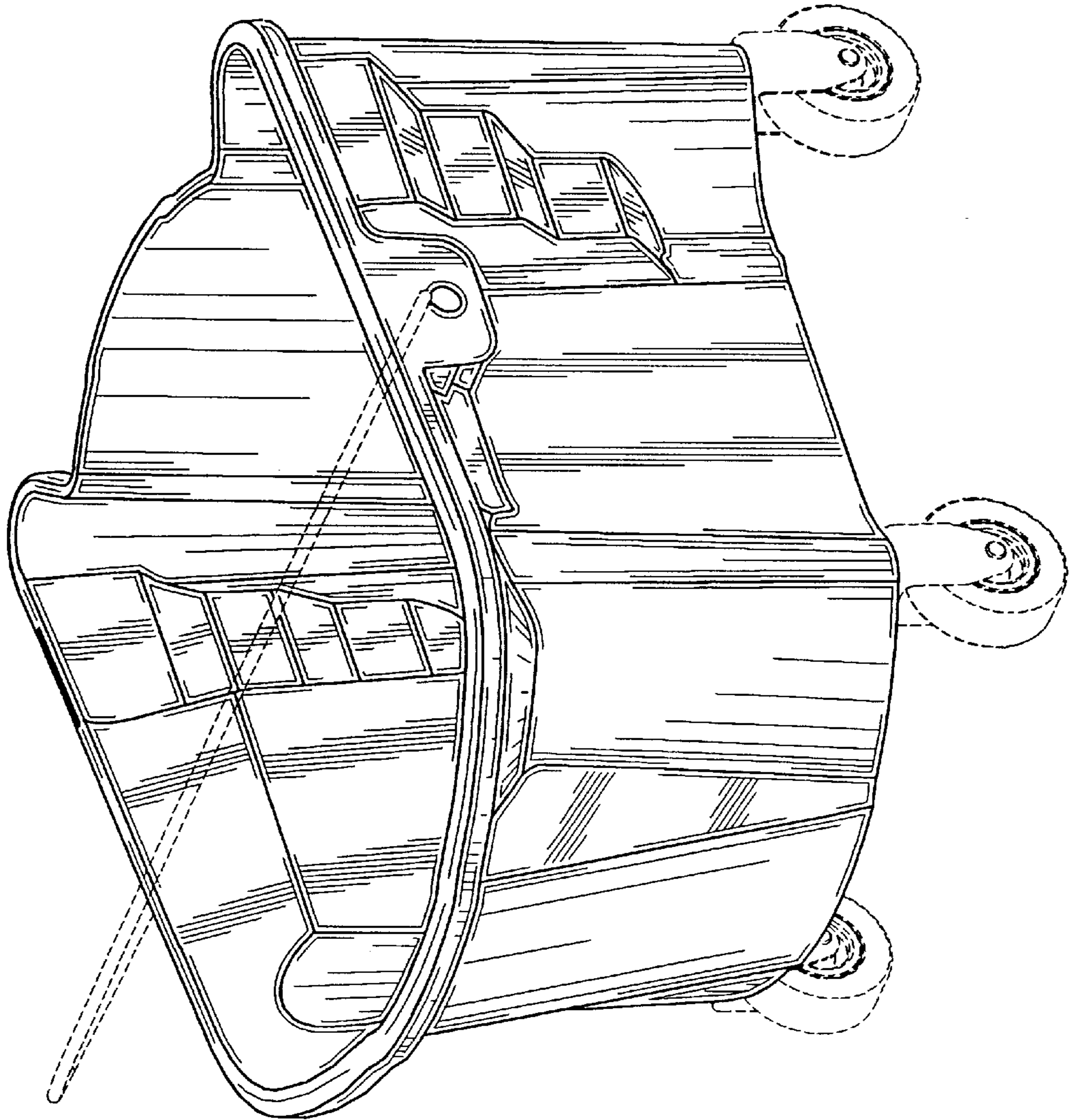


Fig. 8

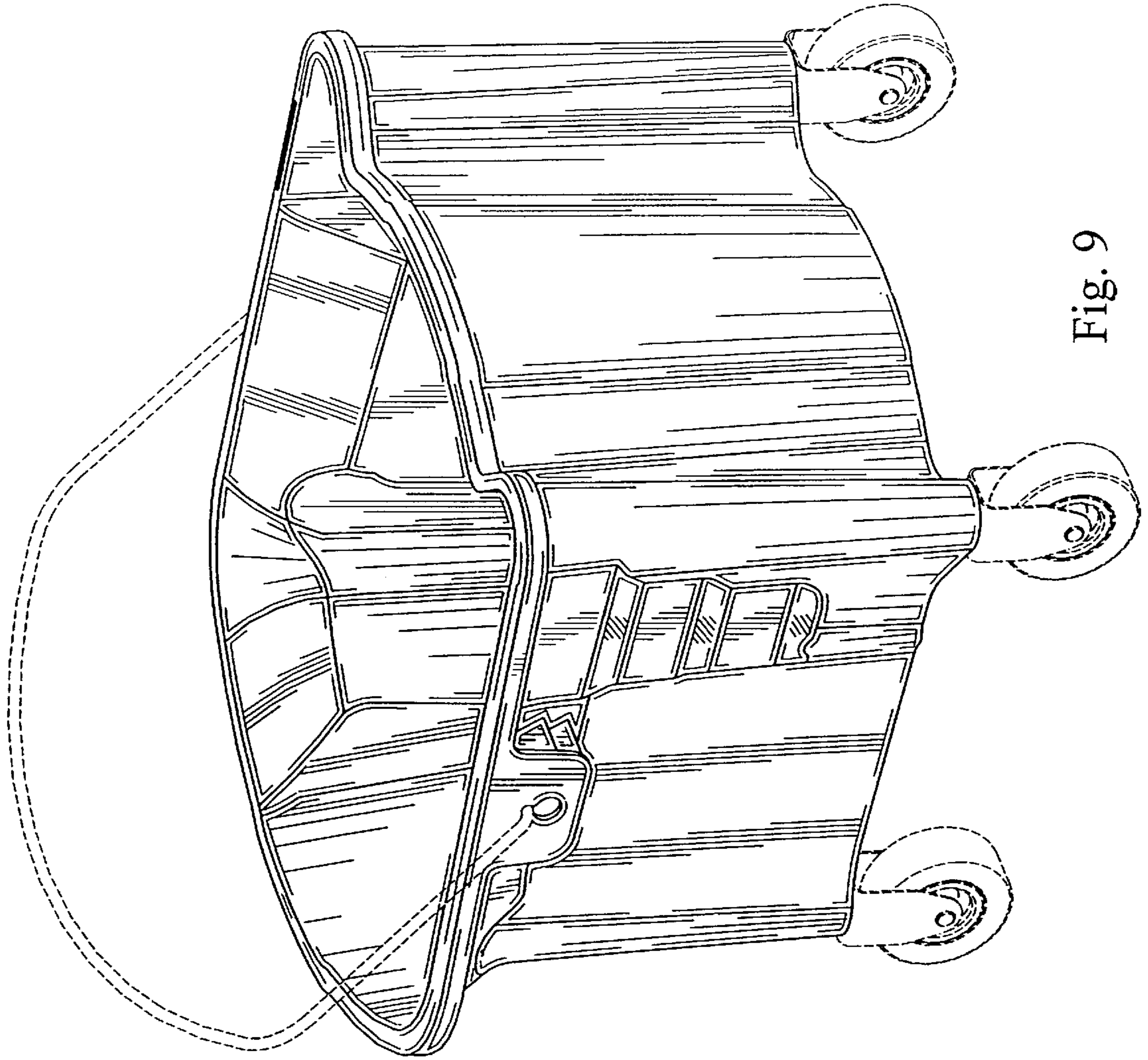


Fig. 9

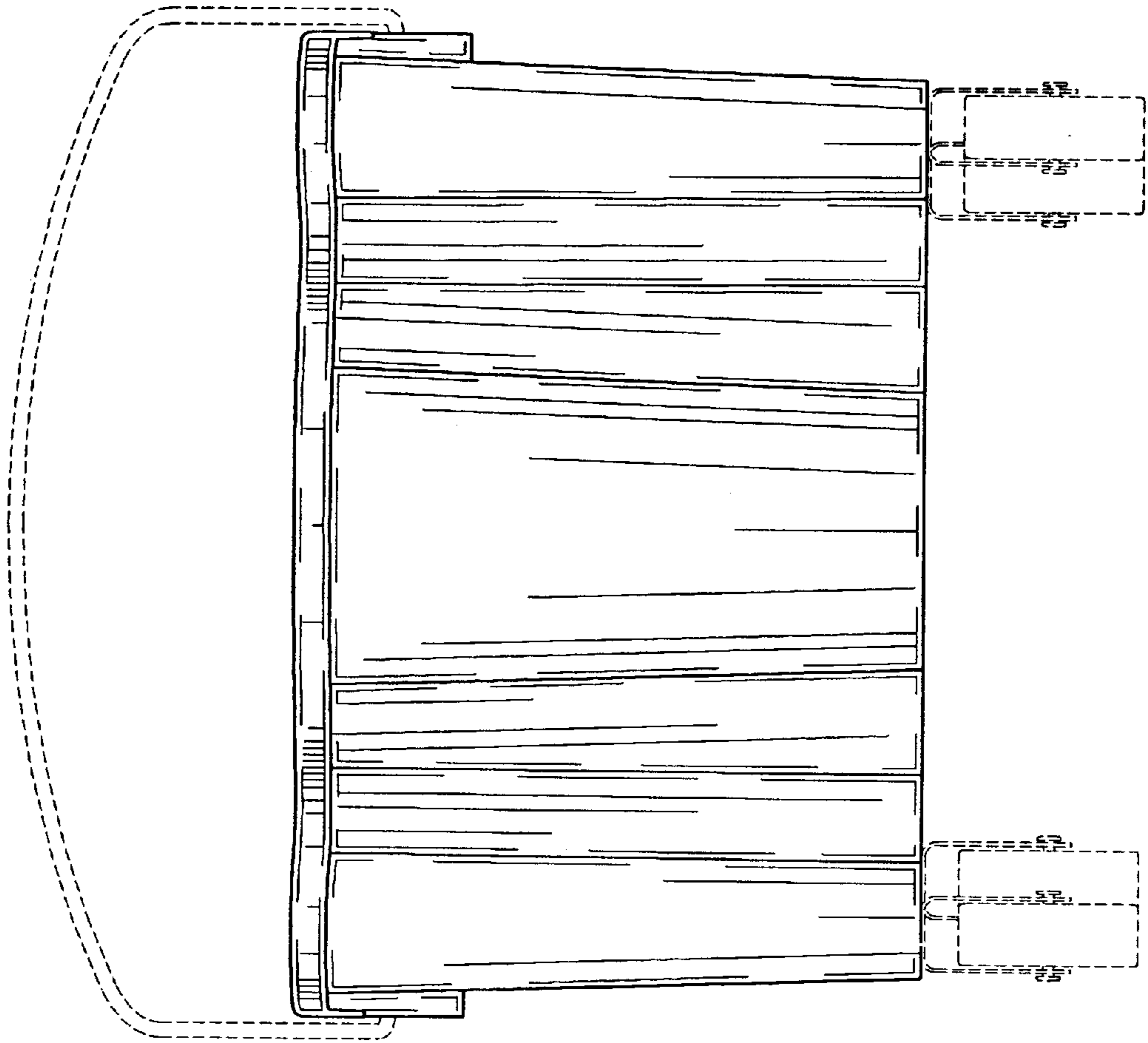


Fig. 10

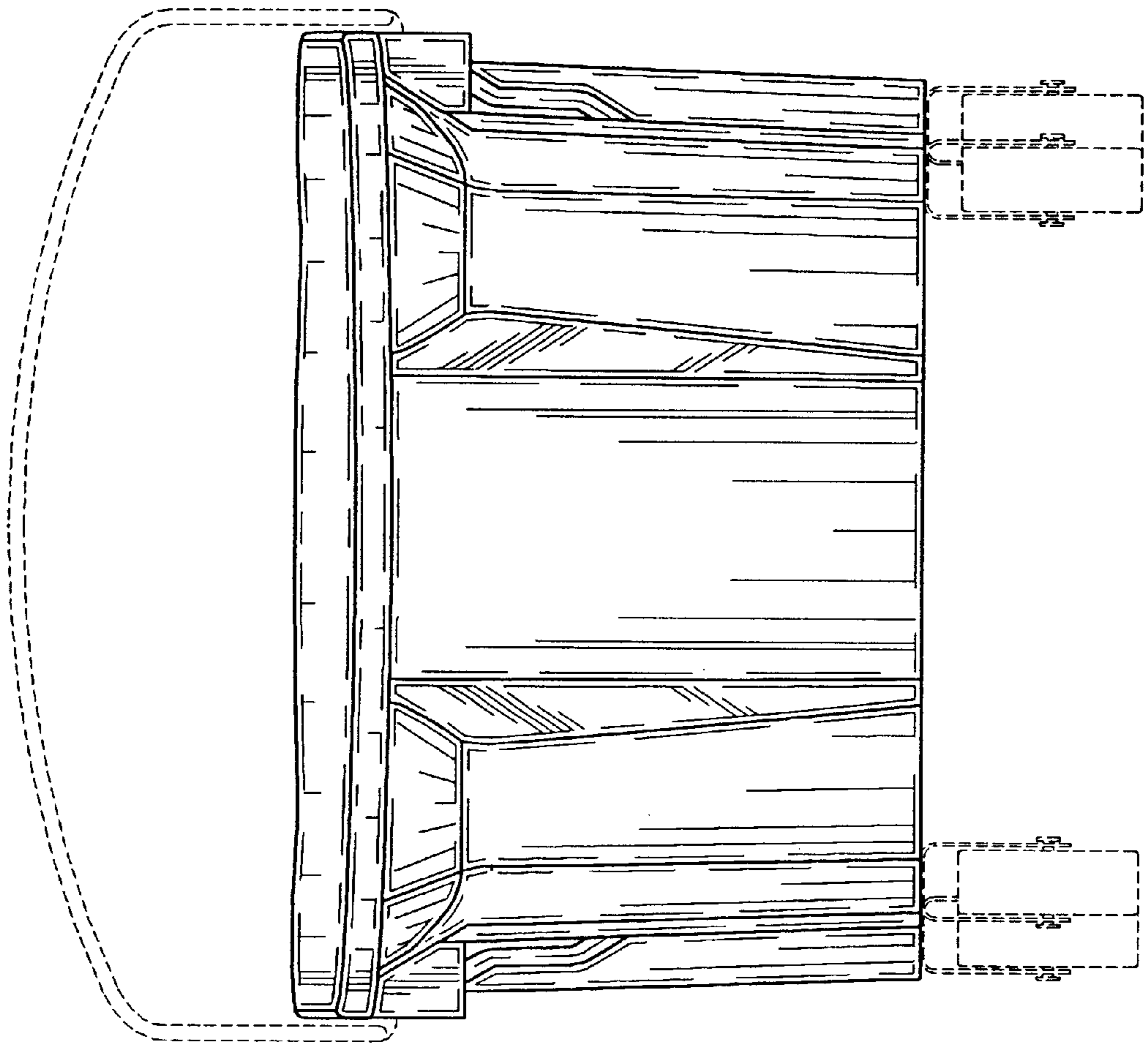


Fig. 11

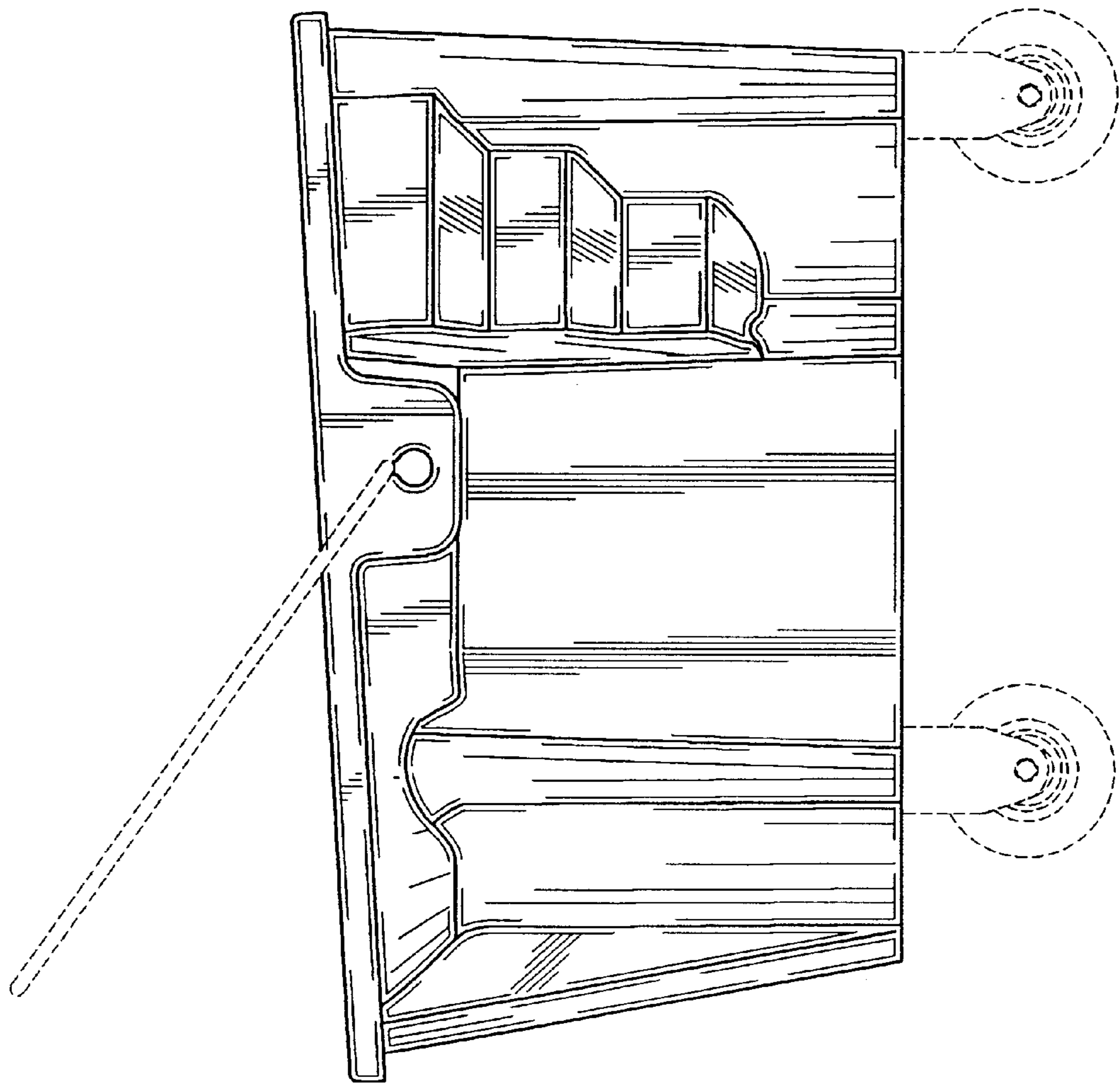


Fig. 12

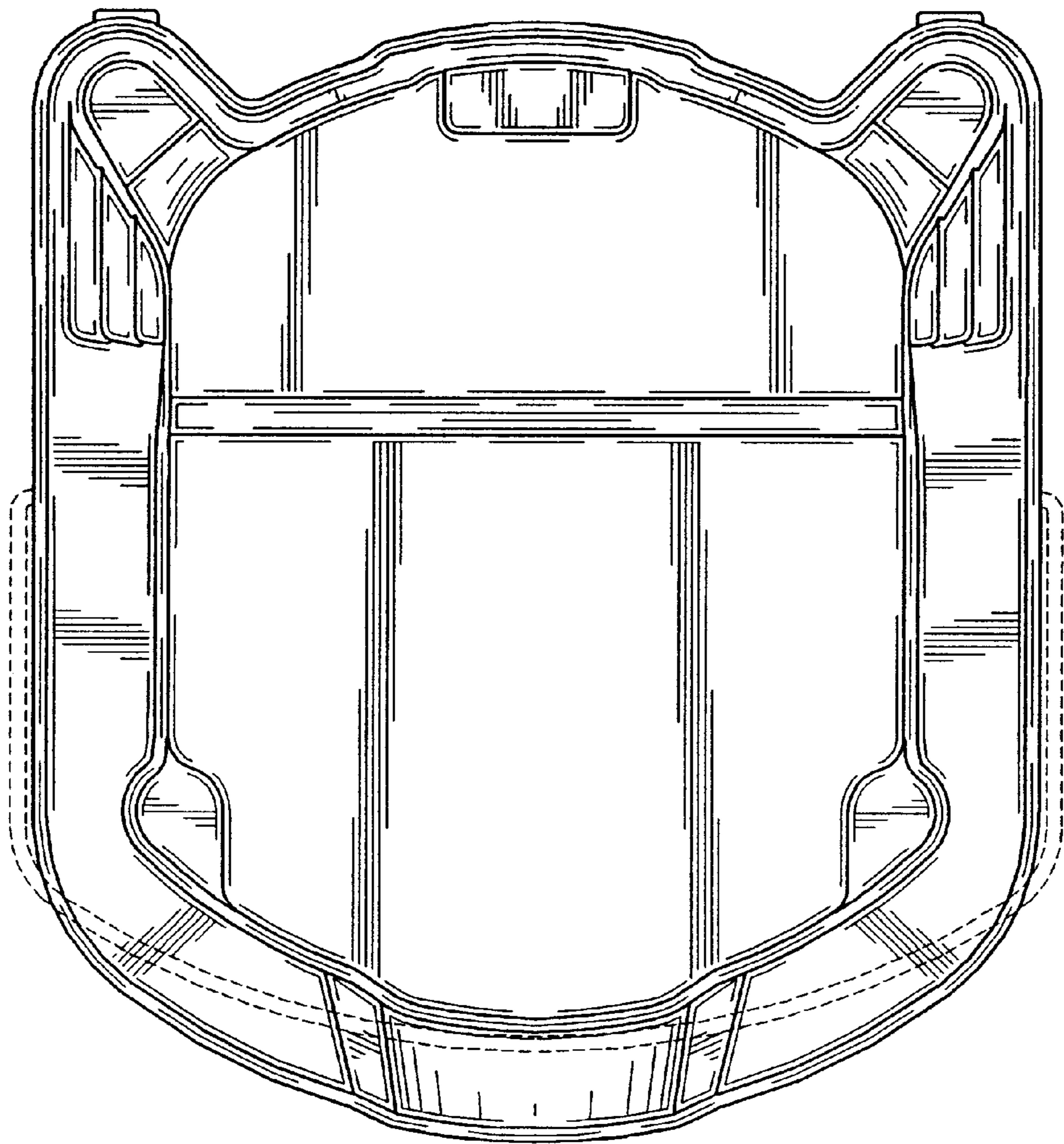


Fig. 13

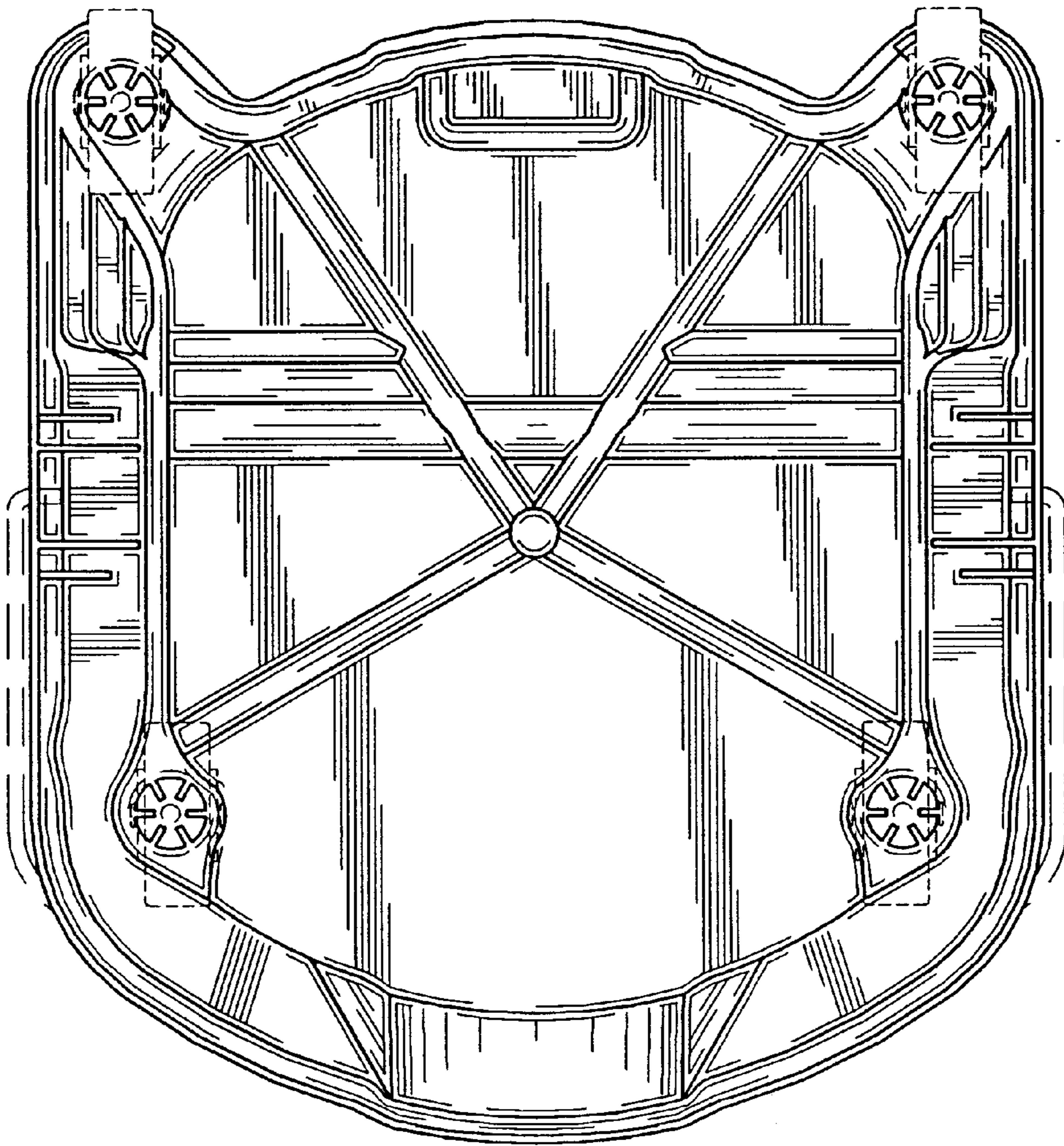


Fig. 14