



US00D429395S

# United States Patent [19]

[11] **Patent Number: Des. 429,395**

**Kiern et al.**

[45] **Date of Patent: \*\* Aug. 8, 2000**

[54] **HANDLE FOR A VACUUM CLEANER OR OTHER DEVICE**

OTHER PUBLICATIONS

[75] Inventors: **Bruce M. Kiern**, Metairie, La.; **Chris M. Paterson**, Long Beach, Miss.

Oreck Product Brochure for Celoc® Hypo-Allergenic 8 lb. Hotel Upright. Jun. 1985.  
1997 Oreck Product Catalog.

[73] Assignee: **Oreck Holdings, LLC**, Cheyenne, Wyo.

*Primary Examiner*—Ruth McInroy  
*Attorney, Agent, or Firm*—Seed IP Law Group PLLC

[\*\*] Term: **14 Years**

[57] **CLAIM**

[21] Appl. No.: **29/103,851**

The ornamental design for a handle for a vacuum cleaner or other device, as shown and described.

[22] Filed: **Apr. 22, 1999**

**DESCRIPTION**

[51] **LOC (7) Cl.** ..... **15-05**

[52] **U.S. Cl.** ..... **D32/34**

[58] **Field of Search** ..... D32/15-16, 19-22, D32/25, 31, 34; D15/9.1, 18; D8/8, 67-69; 15/320-321, 331, 332, 334, 335, 377, 410, 49.1, 98, 50.1; 439/191; 285/7; D34/27; D12/133

A portion of this disclosure contains material to which a claim for copyright is made. The inventors or their assignee (copyright owner) have no objection to the facsimile reproduction by anyone of the patent document or the patent disclosure, as it appears in the Patent and Trademark Office files or records, but reserve all other copyright rights whatsoever.

FIG. 1 is a left-front isometric view of a handle for a vacuum cleaner or other device showing our new design;

FIG. 2 is a right elevational view thereof;

FIG. 3 is a left elevational view thereof;

FIG. 4 is a front elevational view thereof;

FIG. 5 is a rear elevational view thereof;

FIG. 6 is a top plan view thereof; and,

FIG. 7 is a bottom plan view thereof.

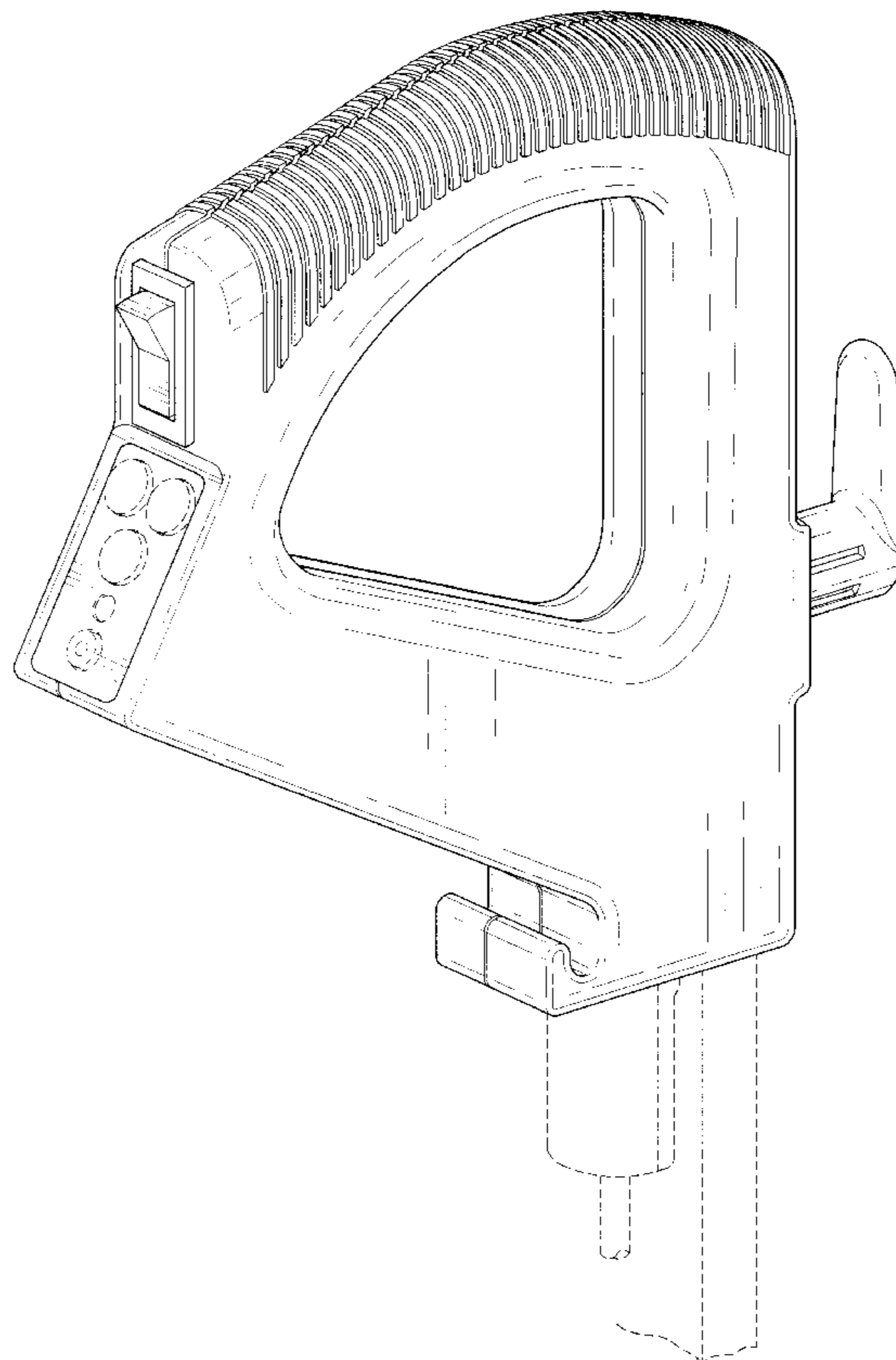
The broken lines in the figures are for illustrative purposes only and form no part of the claimed design.

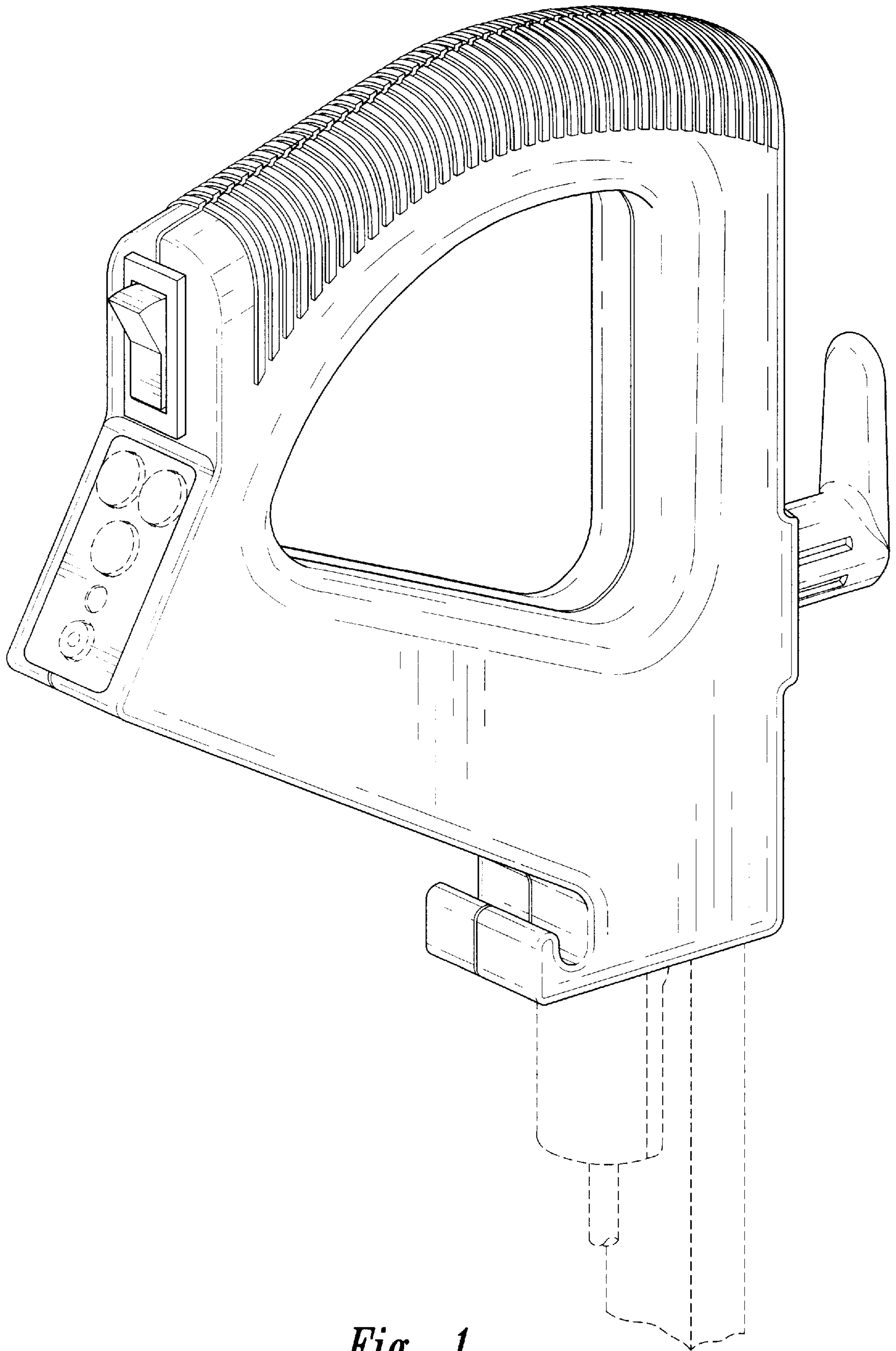
[56] **References Cited**

**U.S. PATENT DOCUMENTS**

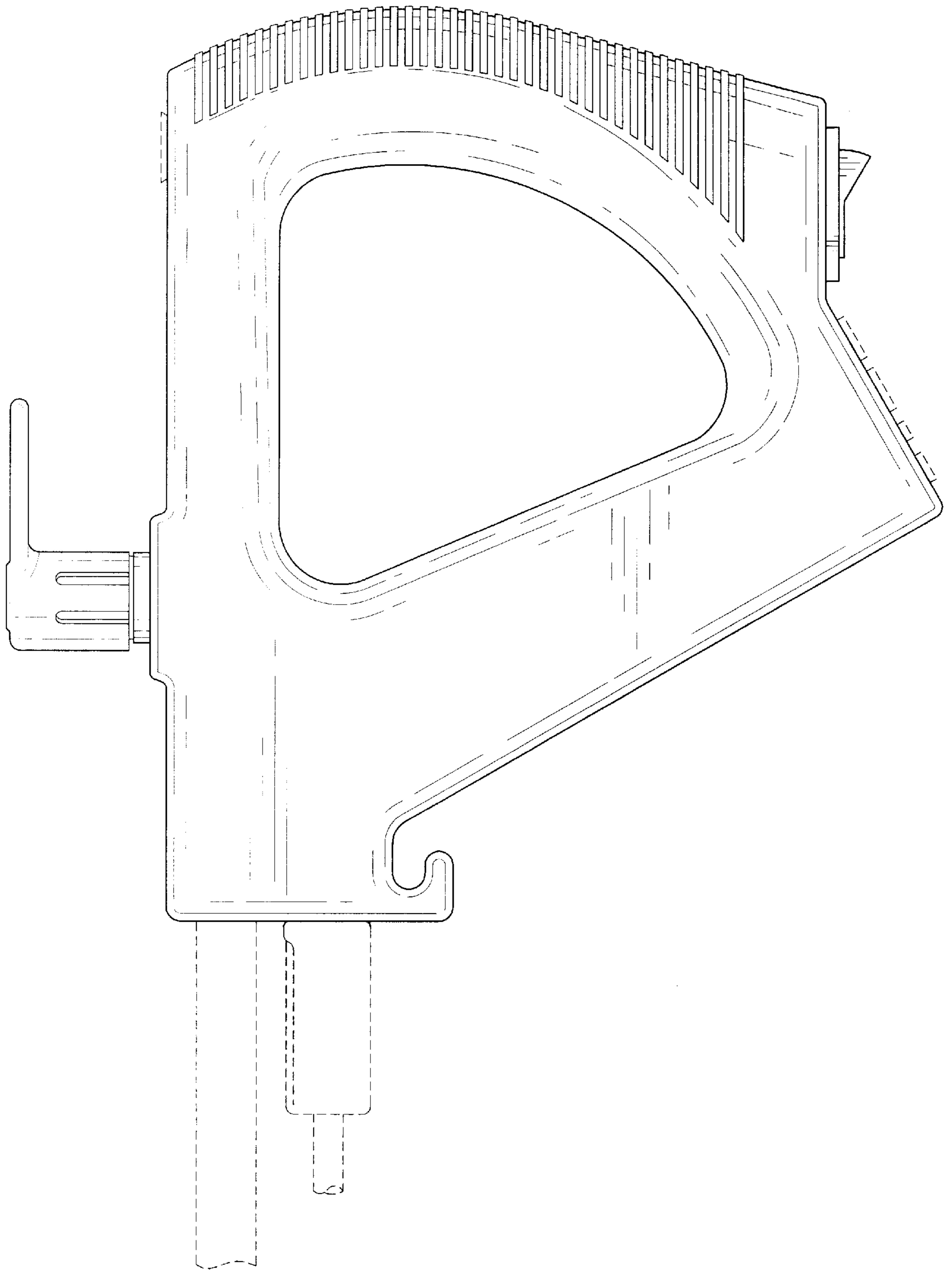
D. 294,988	3/1988	Goodrich	.....	D32/34
D. 333,023	2/1993	Herron, Jr.	.....	D32/34
D. 334,447	3/1993	Rohn	.....	D32/34
D. 381,479	7/1997	Worwag	.....	D32/22
D. 406,422	3/1999	Burchard et al.	.....	D32/34
D. 413,698	9/1999	Dyson	.....	D32/22
D. 415,324	10/1999	Wang et al.	.....	D32/22
5,016,315	5/1991	Bledsoe et al.	.....	15/410
5,109,568	5/1992	Rohn et al.	.....	15/410

**1 Claim, 7 Drawing Sheets**

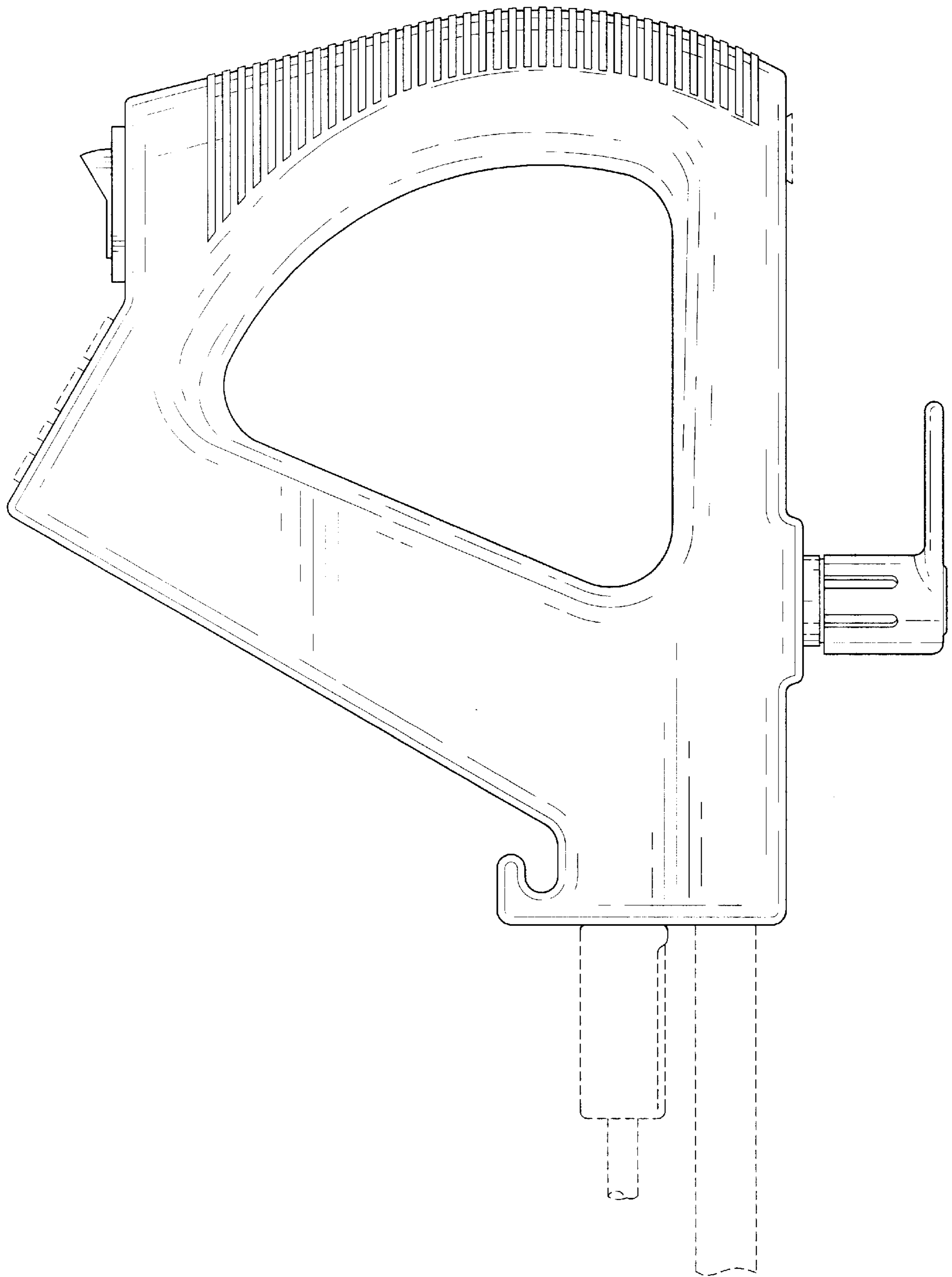




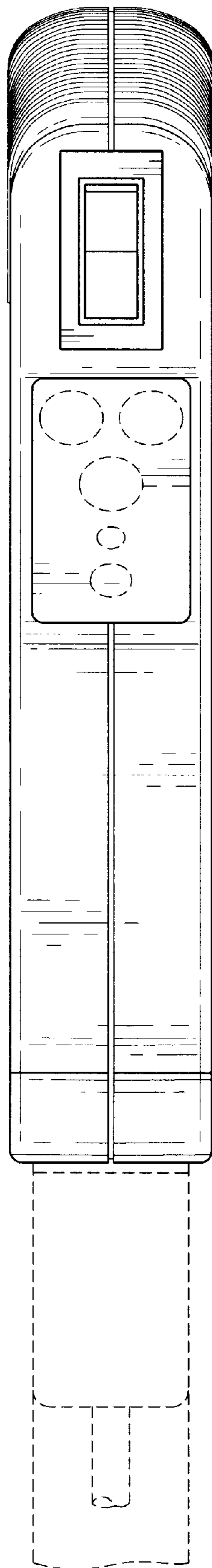
*Fig. 1*



*Fig. 2*

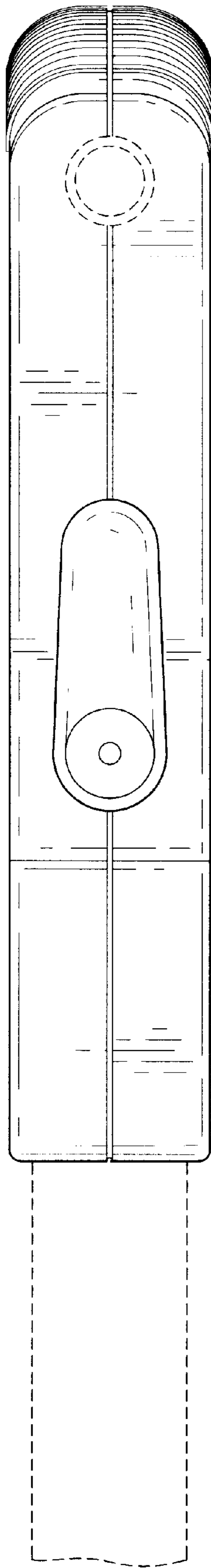


*Fig. 3*

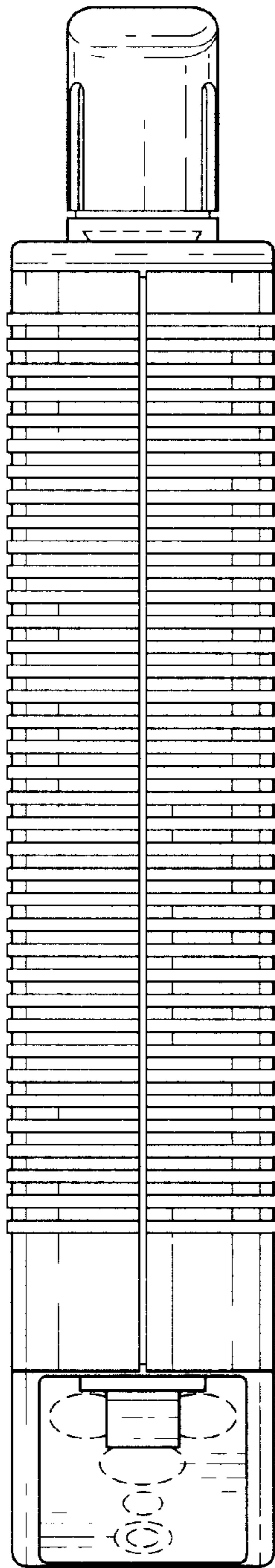


*Fig. 4*

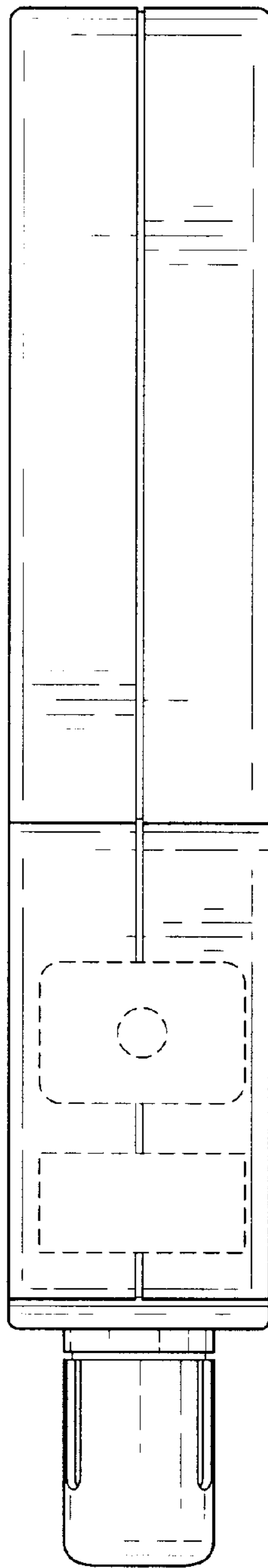




*Fig. 5*



*Fig. 6*



*Fig. 7*