



US00D429394S

United States Patent [19]

[11] **Patent Number: Des. 429,394**

Griffin et al.

[45] **Date of Patent: ** Aug. 8, 2000**

[54] **VACUUM CLEANER TANK**

[75] Inventors: **John Griffin**, Phoenix; **Li H. Liu**, Tucson, both of Ariz.

[73] Assignee: **Shop Vac Corporation**, Williamsport, Pa.

[**] Term: **14 Years**

[21] Appl. No.: **29/097,279**

[22] Filed: **Dec. 3, 1998**

[51] **LOC (7) Cl.** **15-05**

[52] **U.S. Cl.** **D32/31**

[58] **Field of Search** D32/21, 23, 24, D32/25, 31; 15/327.1, 327.2, 327.4, 327.6, 327.7, 320, 321

Shop-Vac Brochure, 707 Series Super Performance Wet/Dry Vacs, Model No. 707-10, dated Mar. 1991.

Shop-Vac Brochure, QSP Series—Quiet Super Power Wet/Dry Vacs, Models 900-86 and 900-87, dated Aug. 1993.

Shop-Vac Brochure, QSP Series—Quiet Super Power Wet/Dry Vacs, Model No. 900-29, dated Aug. 1993.

Shop-Vac Brochure, Series 914—Quiet Super Performance Wet/Dry Vacs, Model Nos. 914-15 and 914-27, dated Apr. 1997.

Shop-Vac Brochure, Floormaster, Wet & Dry Cleaning System, Model No. 909-50, dated Jan. 1989.

Shop-Vac Brochure, The QSP Line of Wet/Dry Vacs from Shop Vac, dated 1994.

Shop-Vac Brochure, All Around Vac, dated 1997.

Shop-Vac Brochure, QSP Pro, dated 1998.

Shop-Vac Brochure, QPV, dated 1997.

Shop-Vac Brochure, 1X1 Wet/Dry Vac, dated 1997.

[56] **References Cited**

U.S. PATENT DOCUMENTS

| | | | | |
|------------|---------|-----------------|-------|--------|
| D. 263,842 | 4/1982 | Pearman, Jr. | | D32/23 |
| D. 286,336 | 10/1986 | Berfield et al. | | D32/23 |
| D. 287,171 | 12/1986 | Berfield et al. | | 32/25 |
| D. 324,930 | 3/1992 | Pino | | D32/23 |
| D. 348,550 | 7/1994 | Cox et al. | | D34/23 |
| D. 358,010 | 5/1995 | Berfield et al. | | 32/23 |
| D. 358,689 | 5/1995 | Wallace | | D32/23 |
| D. 362,091 | 9/1995 | Tomasiak et al. | | D32/23 |
| D. 362,522 | 9/1995 | Kohler | | D32/23 |
| D. 372,567 | 8/1996 | Moine et al. | | D32/23 |
| D. 373,862 | 9/1996 | Stephens et al. | | D32/23 |
| D. 374,523 | 10/1996 | Tomasiak | | D32/31 |
| D. 383,575 | 9/1997 | Griffin | | 32/23 |
| D. 384,448 | 9/1997 | Stephens et al. | | D32/23 |
| D. 388,565 | 12/1997 | Pietrobon | | D32/23 |
| D. 389,962 | 1/1998 | Berfield et al. | | 32/23 |
| D. 395,119 | 6/1998 | Berfield | | 34/23 |
| D. 398,100 | 9/1998 | Stephens et al. | | D32/23 |
| D. 414,305 | 9/1999 | Rohn et al. | | D32/31 |

OTHER PUBLICATIONS

Shop-Vac Brochure, QSP Series—Quiet Super Power Wet/Dry Vacs, Model Nos. 900-80 thru 900-84, dated Aug. 1993.

Primary Examiner—Ruth McInroy
Attorney, Agent, or Firm—Marshall, O’Toole, Gerstein, Murray & Borun

[57] **CLAIM**

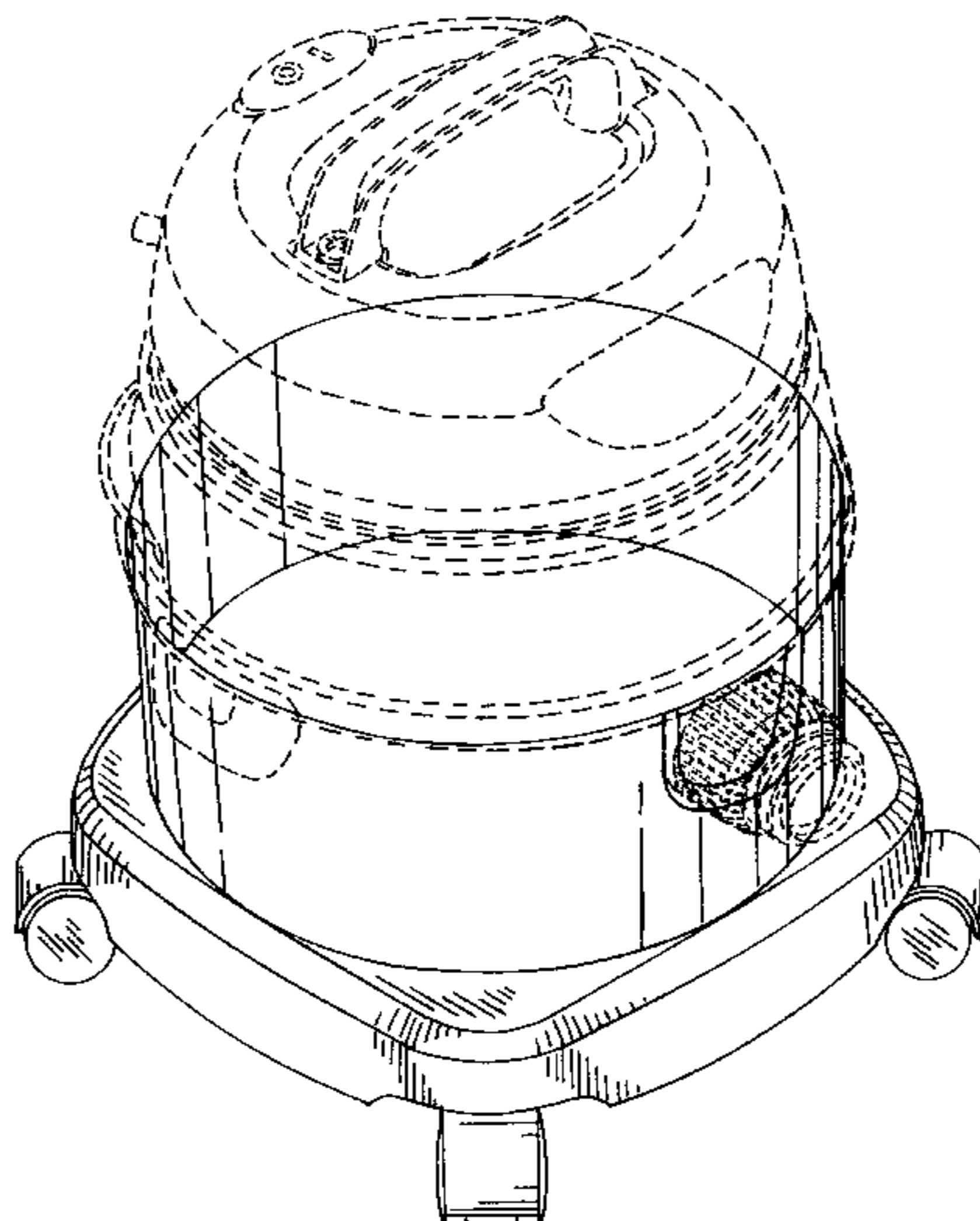
The ornamental design for a vacuum cleaner tank, as shown and described.

DESCRIPTION

FIG. 1 is a perspective view of a vacuum cleaner tank showing our new design;
FIG. 2 is a front elevational view thereof;
FIG. 3 is a back elevational view thereof;
FIG. 4 is a left elevational view thereof;
FIG. 5 is a right elevational view thereof;
FIG. 6 is a plan view thereof; and,
FIG. 7 is a bottom view thereof.

The portion of the vacuum cleaner shown in broken lines in FIGS. 1-7 is for illustrative purposes only and forms no part of the claimed design.

1 Claim, 7 Drawing Sheets



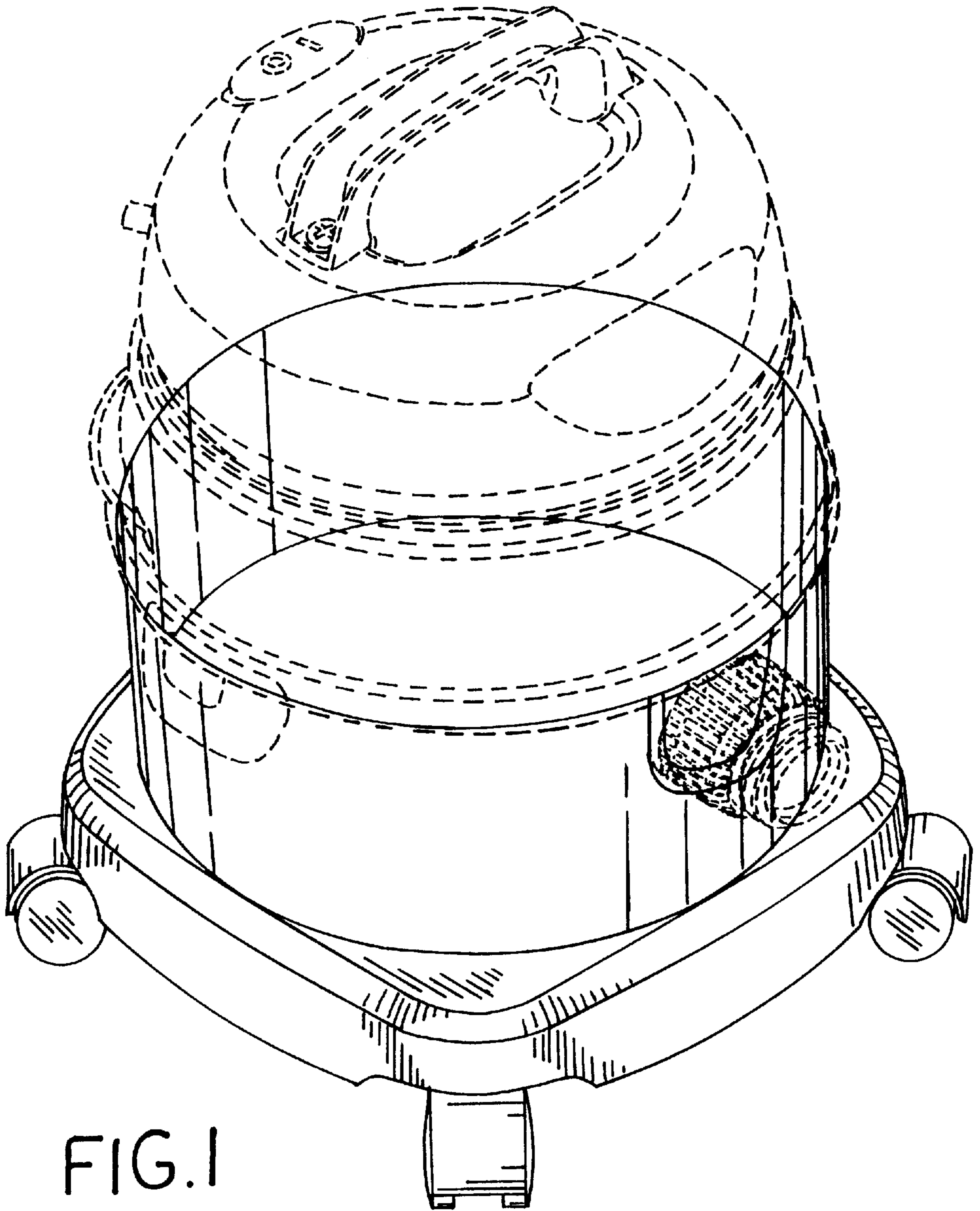


FIG. 1

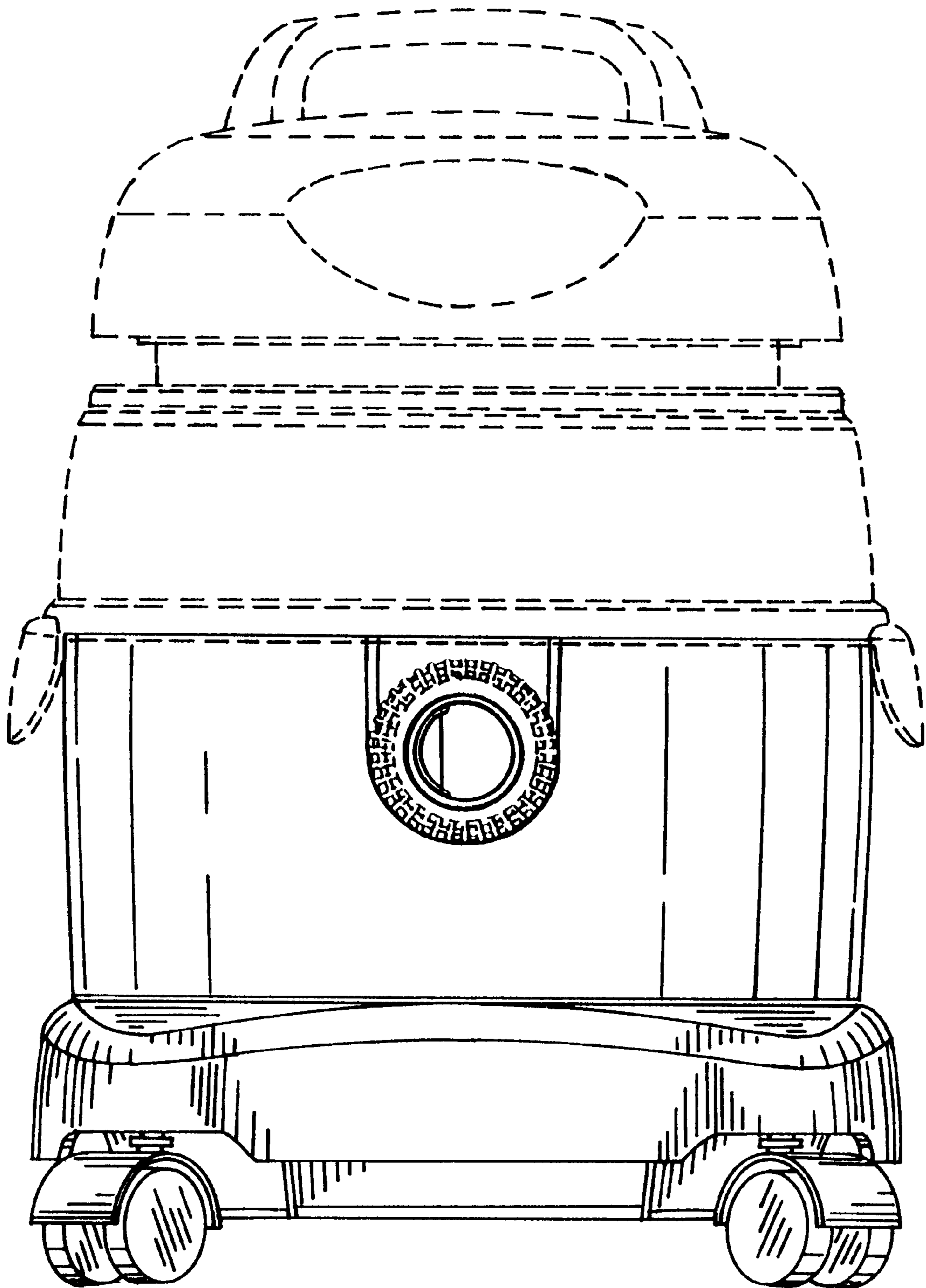


FIG. 2

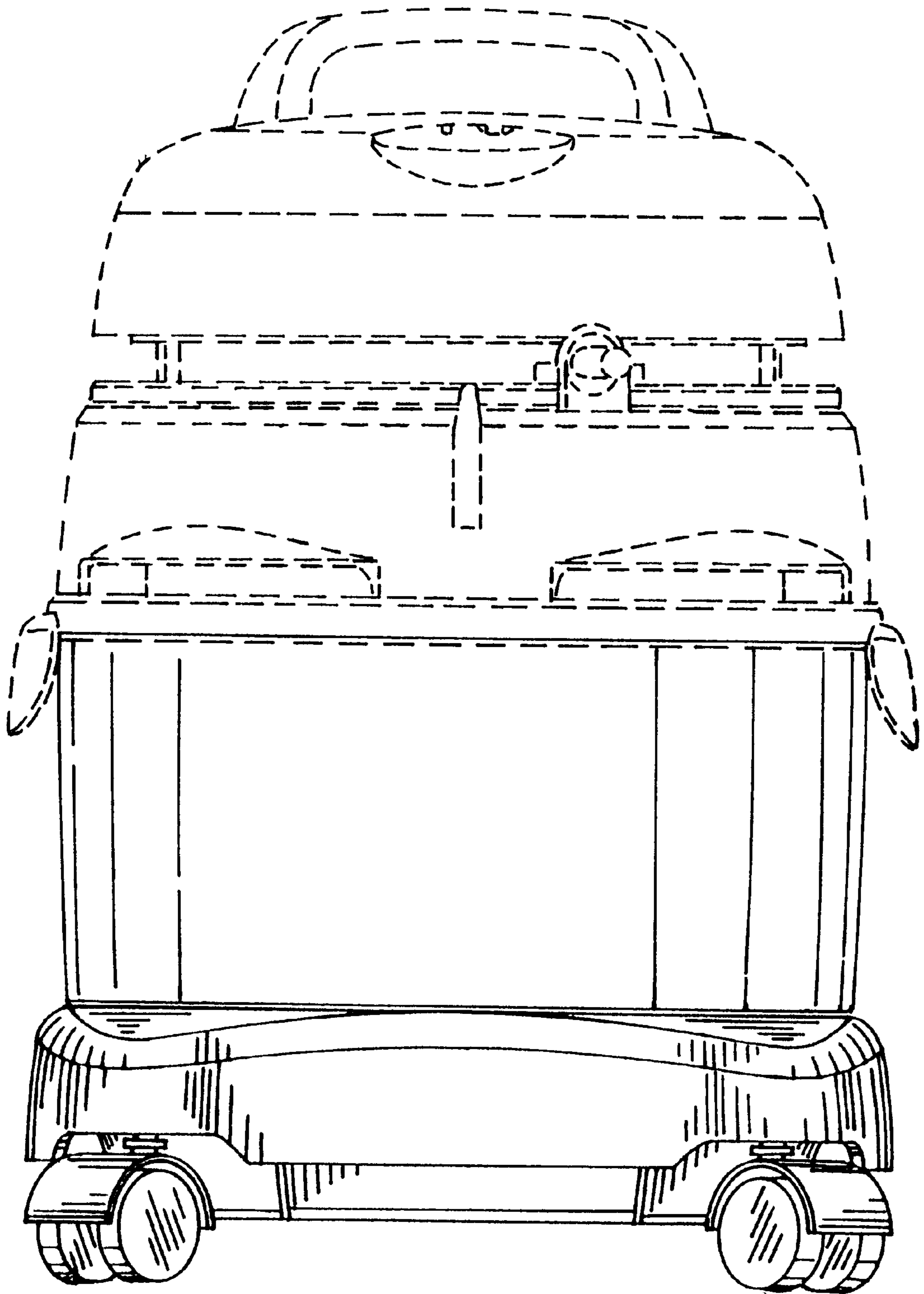


FIG. 3

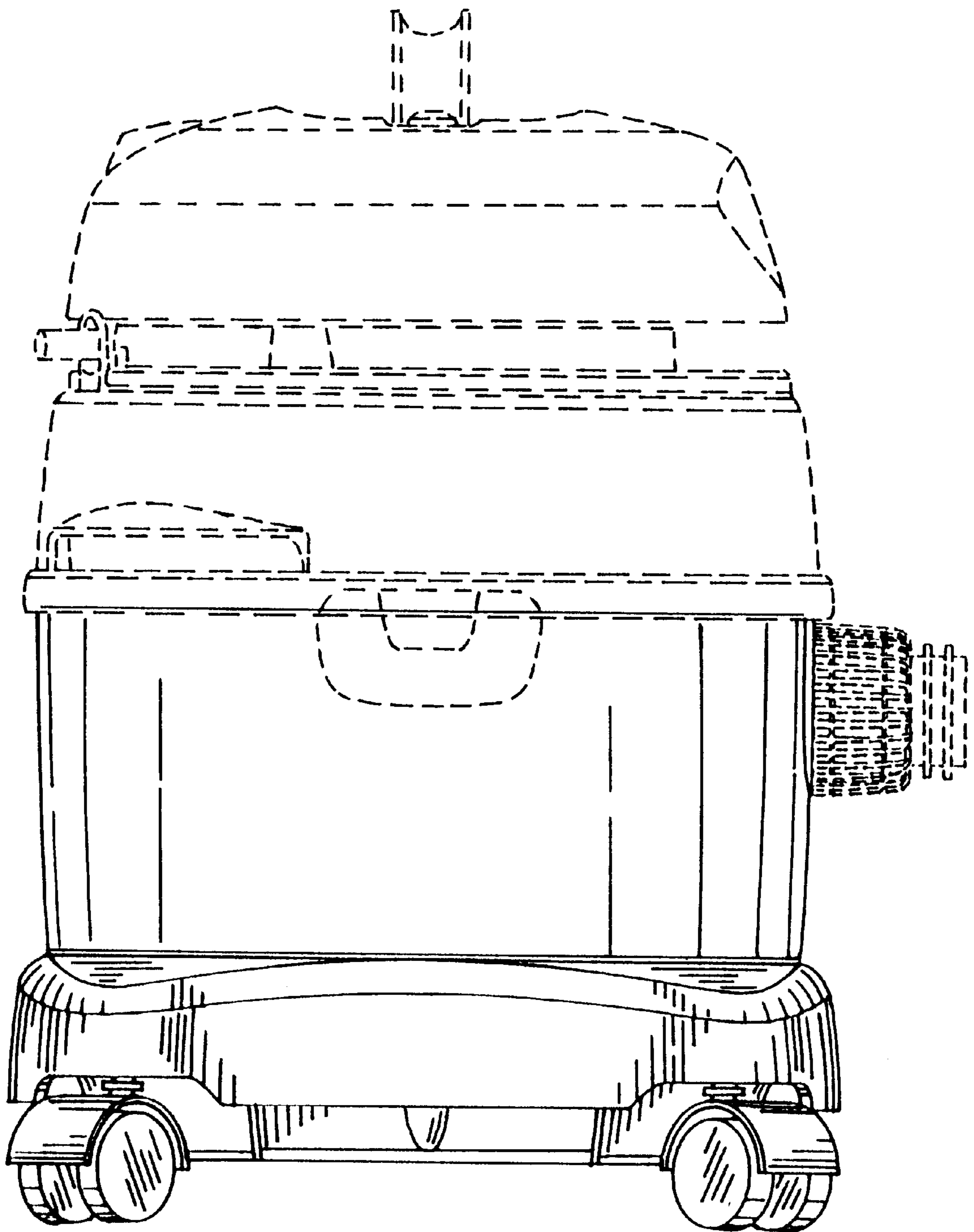


FIG. 4

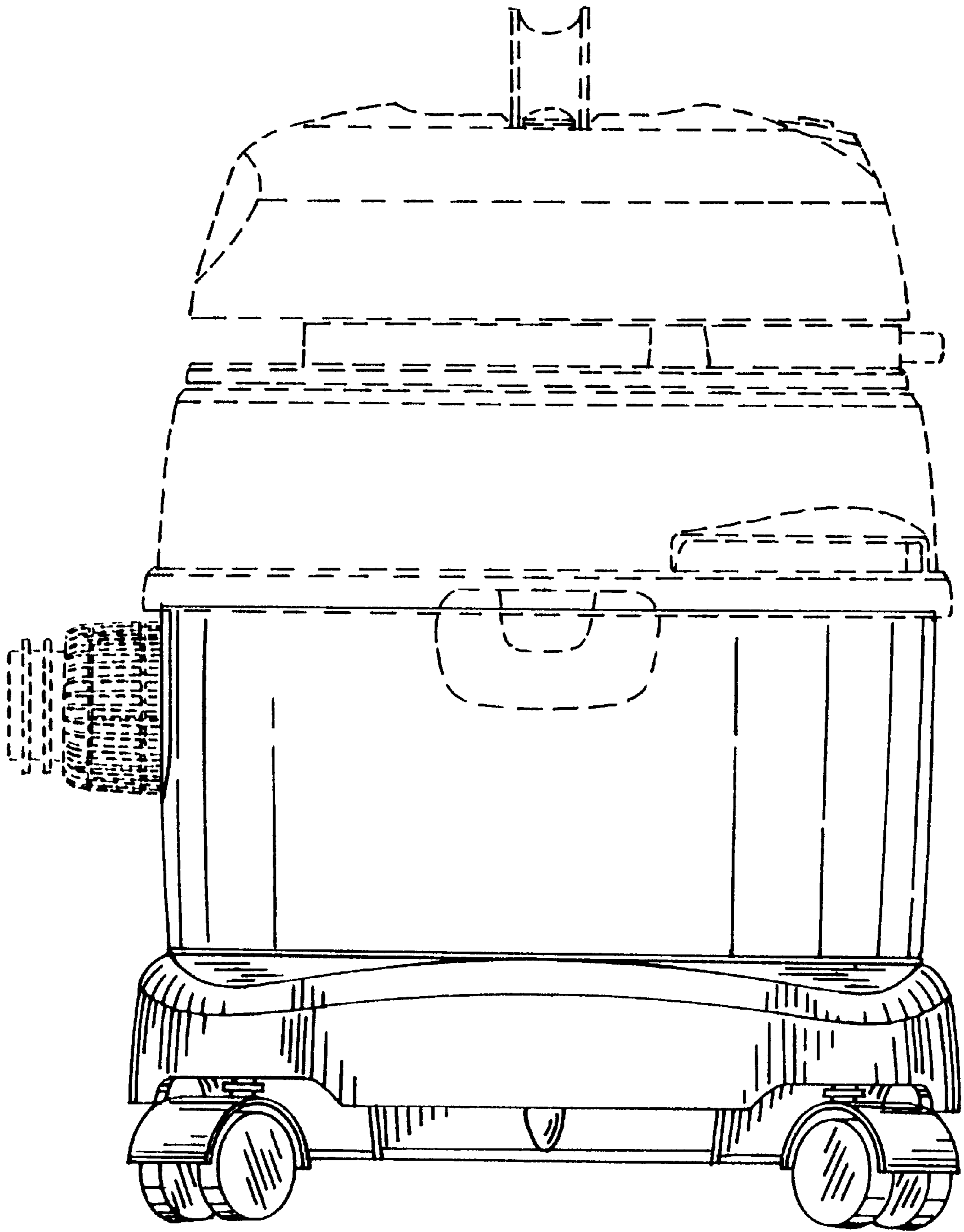


FIG. 5

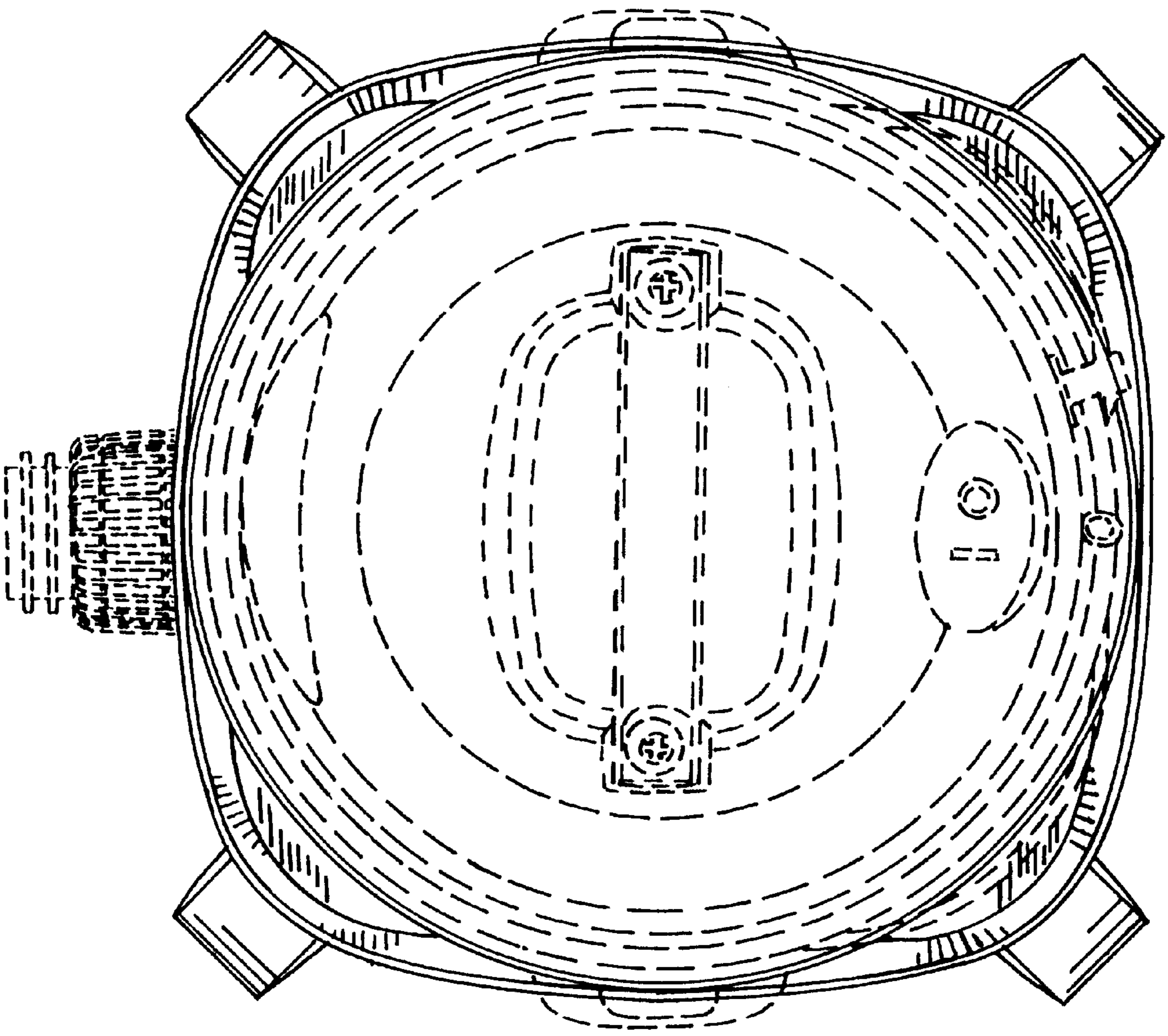


FIG. 6

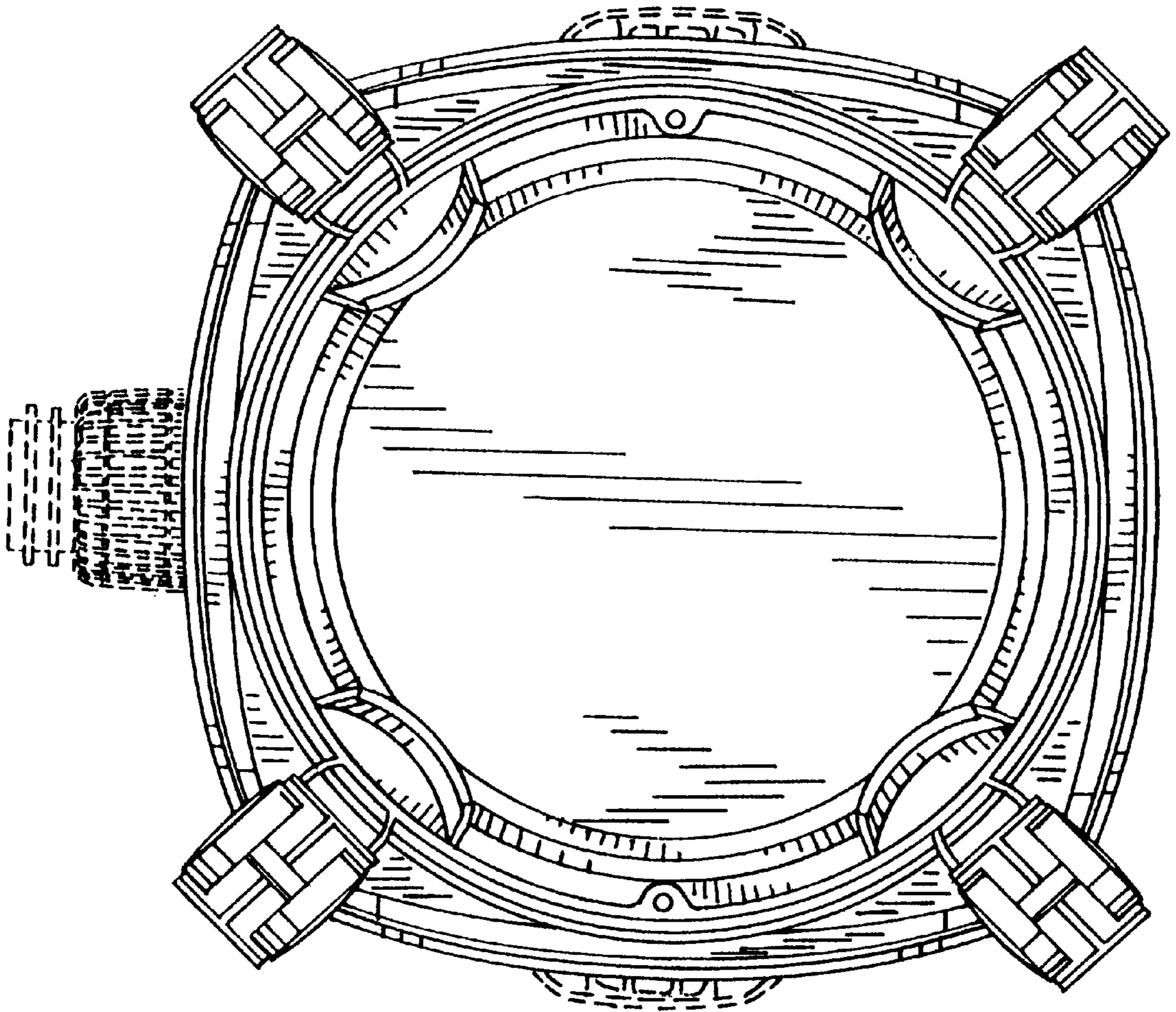


FIG. 7