



US00D429393S

# United States Patent [19]

Rief et al.

[11] Patent Number: **Des. 429,393**

[45] Date of Patent: **\*\* Aug. 8, 2000**

[54] **POOL CLEANER WHEEL**

[76] Inventors: **Dieter J. Rief; Manuela Rief**, both of  
2780 Bardy Rd., Santa Rosa, Calif.  
95404

[\*\*] Term: **14 Years**

[21] Appl. No.: **29/106,261**

[22] Filed: **Jun. 11, 1999**

[51] **LOC (7) Cl.** ..... **15-05**

[52] **U.S. Cl.** ..... **D32/25**

[58] **Field of Search** ..... D32/1, 15-22,  
D32/25, 28, 31-34; 15/1.7; 55/373, 374;  
180/116, 119, 120, 125, 130; 210/169,  
416.2, 460; D15/28, 29, 17; D12/85, 87,  
106, 204, 150, 135; 301/64.7, 86; 305/199;  
193/37

[56] **References Cited**

**U.S. PATENT DOCUMENTS**

D. 396,863	8/1998	Bruns	.....	D15/28
4,210,235	7/1980	Johnson	.....	193/37
4,299,051	11/1981	Pauly et al.	.....	446/471
4,920,599	5/1990	Rief	.....	15/1.7

5,190,363	3/1993	Brittain et al.	.....	305/199
5,197,158	3/1993	Moini	.....	15/1.7
5,351,355	10/1994	Chiniara	.....	15/1.7

*Primary Examiner*—Louis S. Zarfaz  
*Assistant Examiner*—Robert A. Delehanty  
*Attorney, Agent, or Firm*—Larry D. Johnson

[57] **CLAIM**

The ornamental design for a pool cleaner wheel, as shown and described.

**DESCRIPTION**

FIG. 1 is a reduced scale perspective view of my pool cleaner wheel design as attached to a pool cleaner shown in dashed lines;

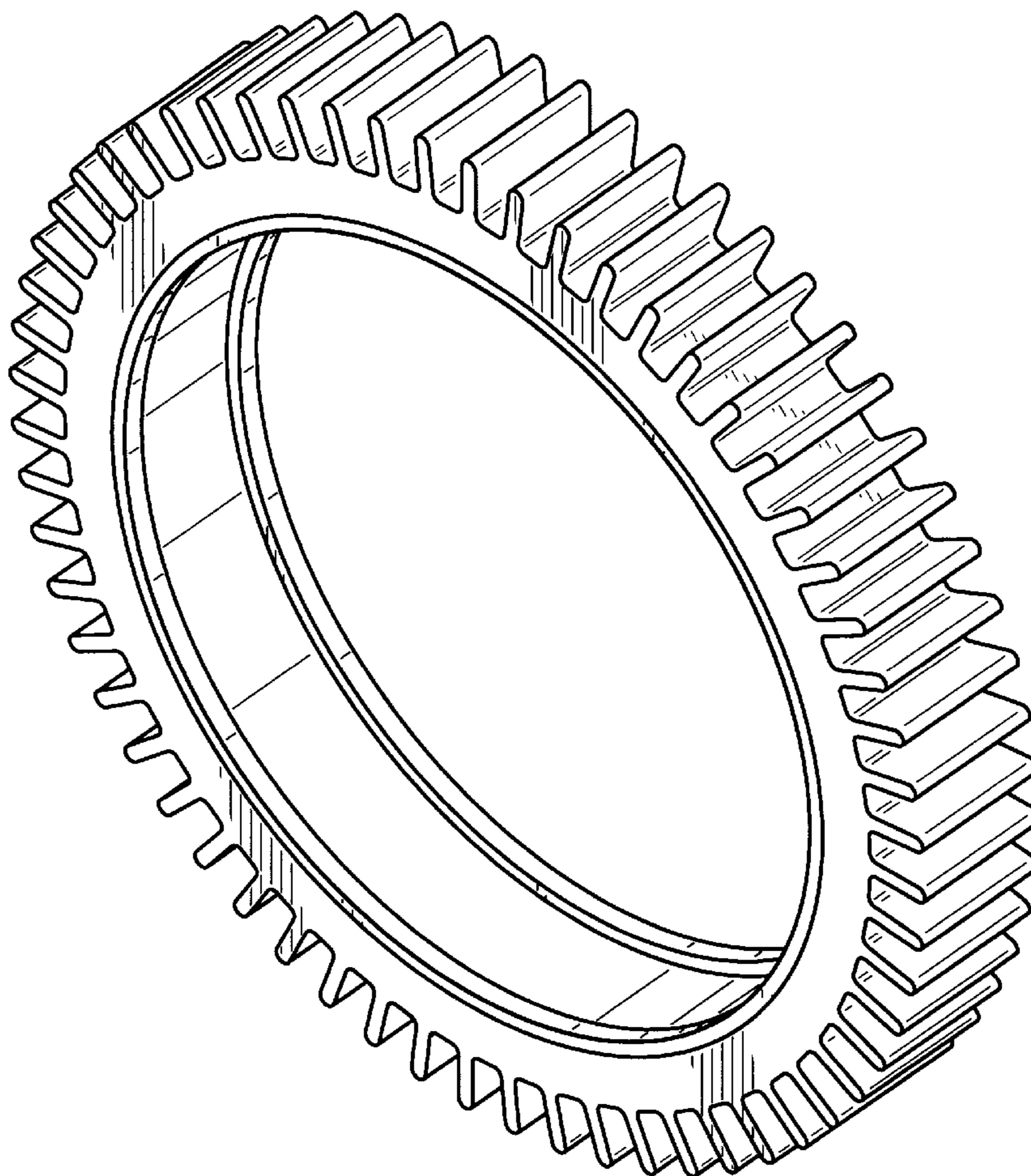
FIG. 2 is a perspective view thereof;

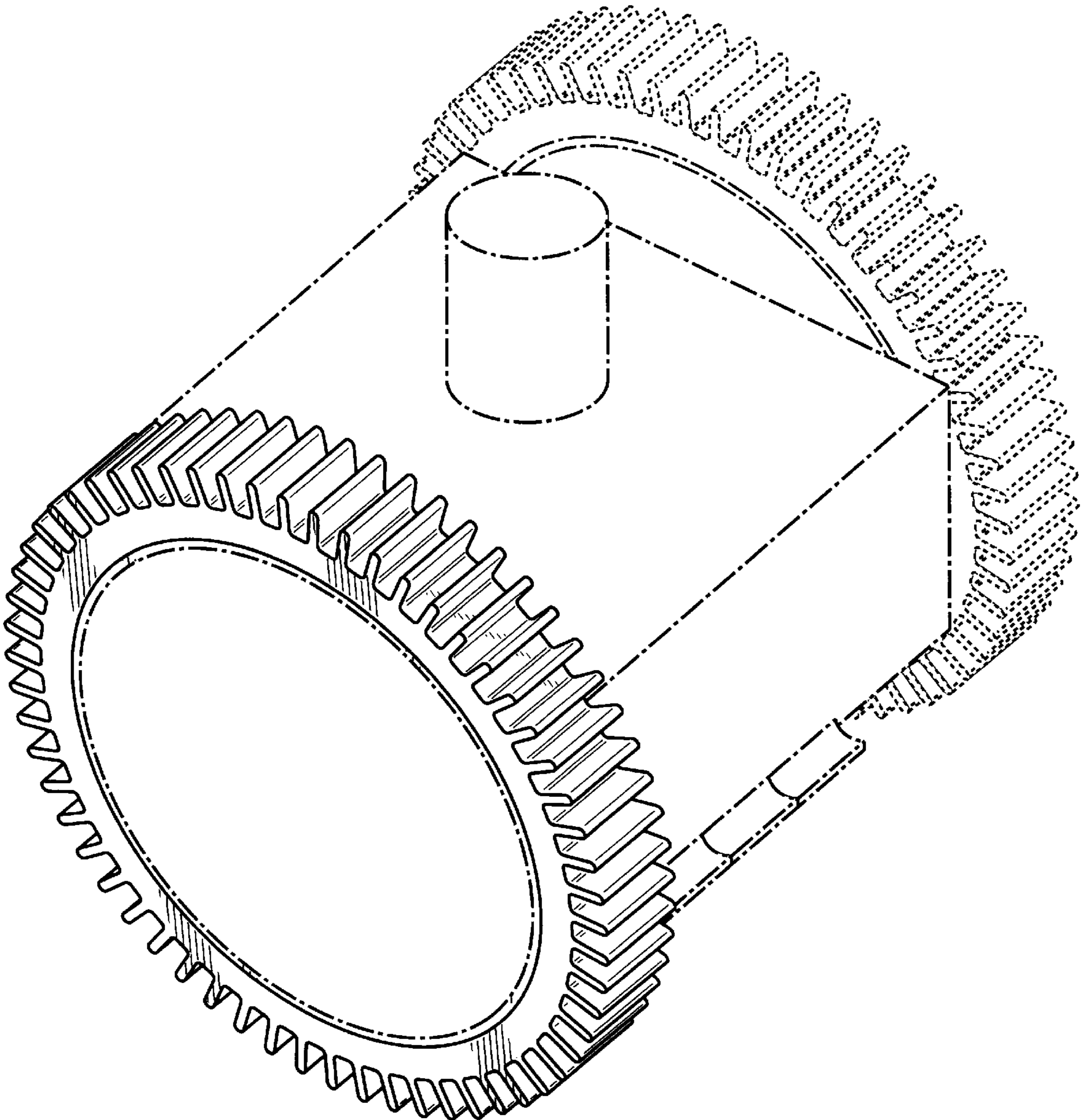
FIG. 3 is a front elevational view thereof, the rear view being identical; and,

FIG. 4 is a side elevational view thereof, the other side, top and bottom plan views being identical.

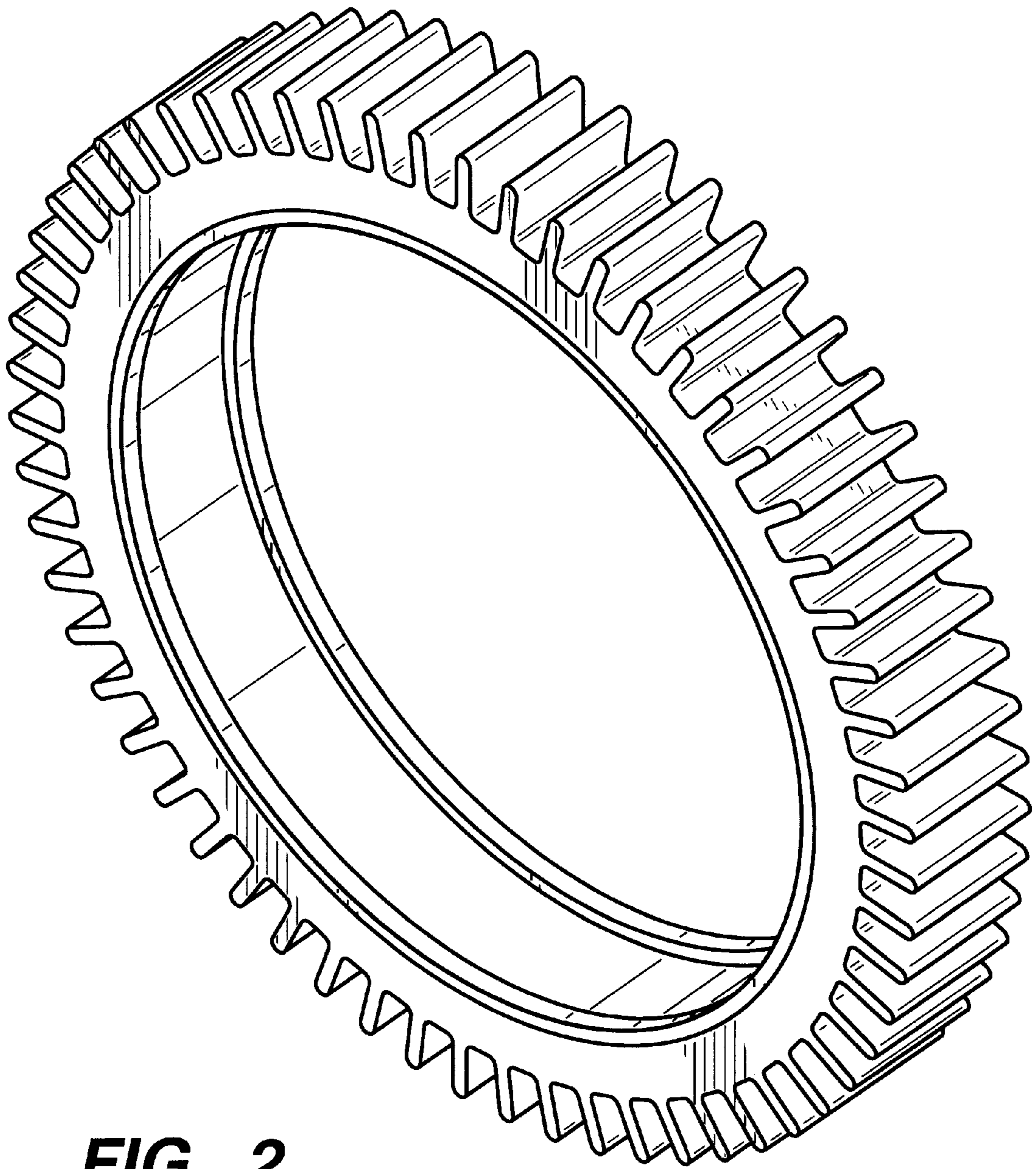
The broken line showing of a pool cleaner body is for illustrative purposes only and forms no part of the claimed design.

**1 Claim, 3 Drawing Sheets**

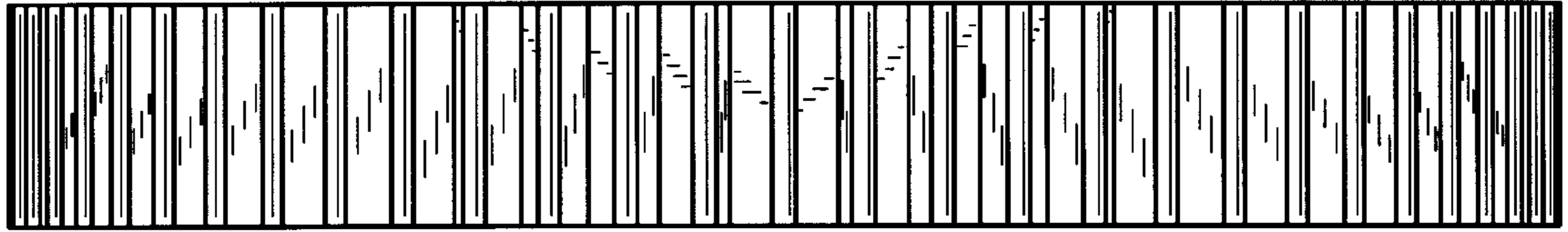




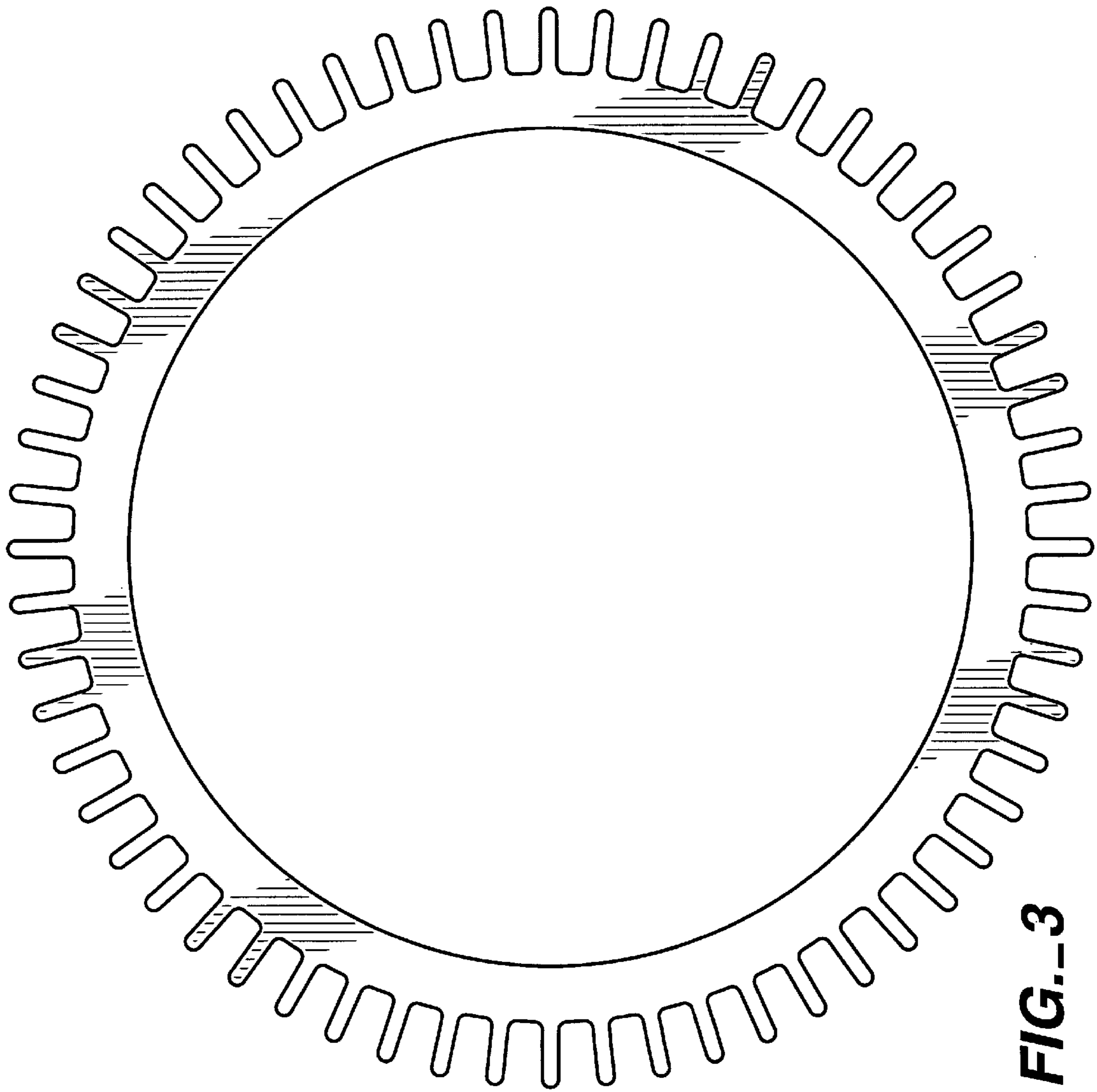
**FIG. 1**



**FIG. 2**



**FIG. 4**



**FIG. 3**