



US00D429391S

United States Patent [19]

Grady et al.

[11] Patent Number: **Des. 429,391**

[45] Date of Patent: **** Aug. 8, 2000**

[54] **DOG BACKPACK**

5,887,772 3/1999 Dooley 224/905 X

[76] Inventors: **Dan Grady; Deb Grady**, both of P.O. Box 509, Nobleford, Alberta, Canada, T0L 1S0

OTHER PUBLICATIONS

Doctors Foster & Smith, Canine Backpack, p. 63, 1997.
R.C. Steele, Sturdy Dog Backpacks, p. 60, 1997.

[**] Term: **14 Years**

Primary Examiner—Louis S. Zarfes
Assistant Examiner—Catherine R. Oliver
Attorney, Agent, or Firm—Patterson & Keough, P.A.

[21] Appl. No.: **29/092,888**

[22] Filed: **Aug. 28, 1998**

[57] CLAIM

[51] **LOC (7) Cl.** **30-04**

The ornamental design for dog backpack, as shown and described.

[52] **U.S. Cl.** **D30/152**

[58] **Field of Search** D30/144, 145, D30/152, 161, 199; D3/216, 217, 231; 224/42.11, 241, 582, 905; 54/44.1; 119/850, 858, 907

DESCRIPTION

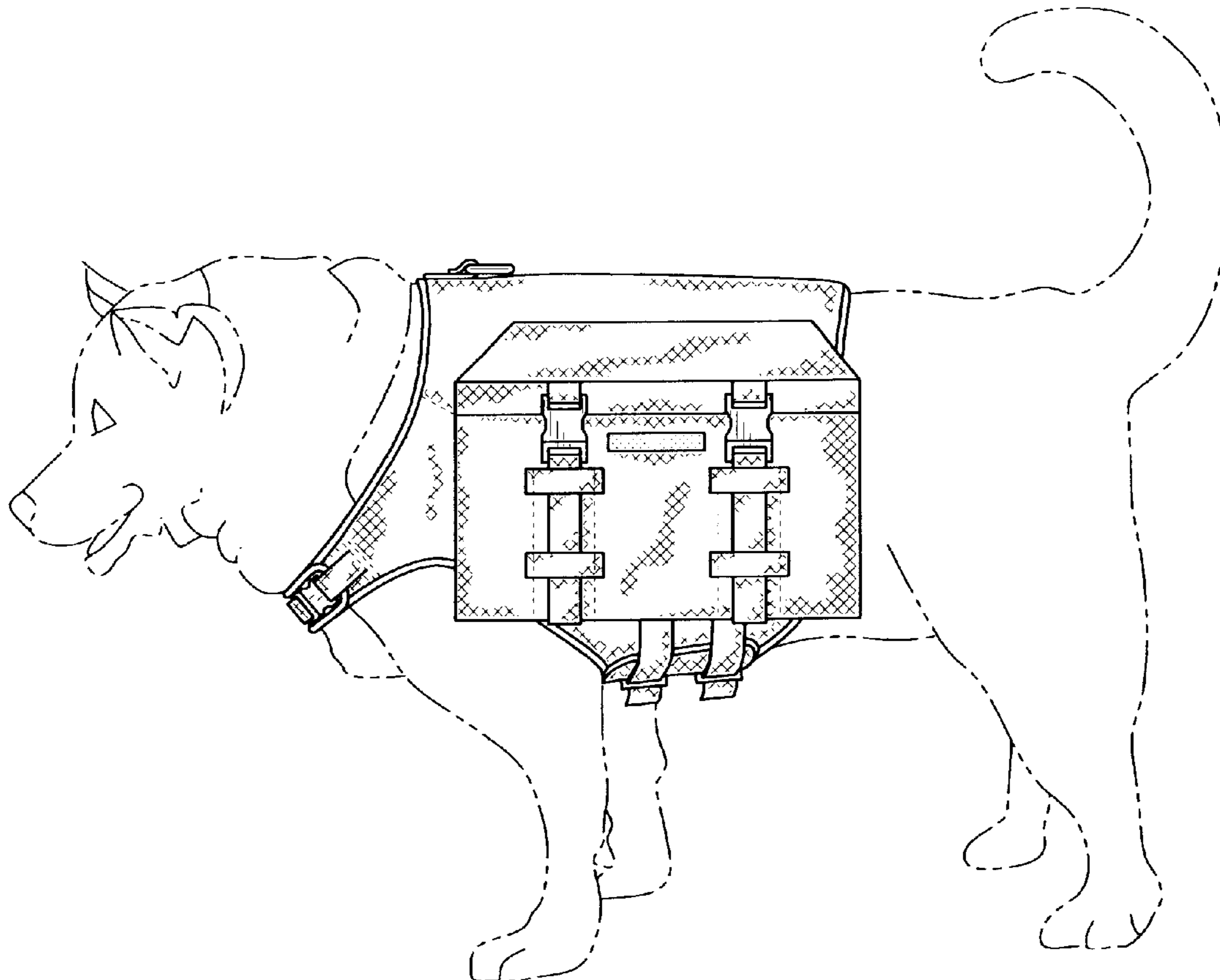
FIG. 1 is a side elevational view of a dog backpack showing our new design in a position of use;
FIG. 2 is a top plan view shown flat;
FIG. 3 is a front elevational view;
FIG. 4 is a side elevational view; and,
FIG. 5 is a bottom plan view shown flat.
The broken line showing of environment in FIG. 1 is for illustrative purposes only and forms no part of the claimed design.

[56] References Cited

U.S. PATENT DOCUMENTS

D. 313,677	1/1991	Hammon et al.	D30/152
D. 383,255	9/1997	Caditz	D30/145
D. 384,780	10/1997	McLaughlin	D30/152
D. 401,056	11/1998	Akutsu	D3/231
5,560,321	10/1996	Hess	119/858

1 Claim, 2 Drawing Sheets



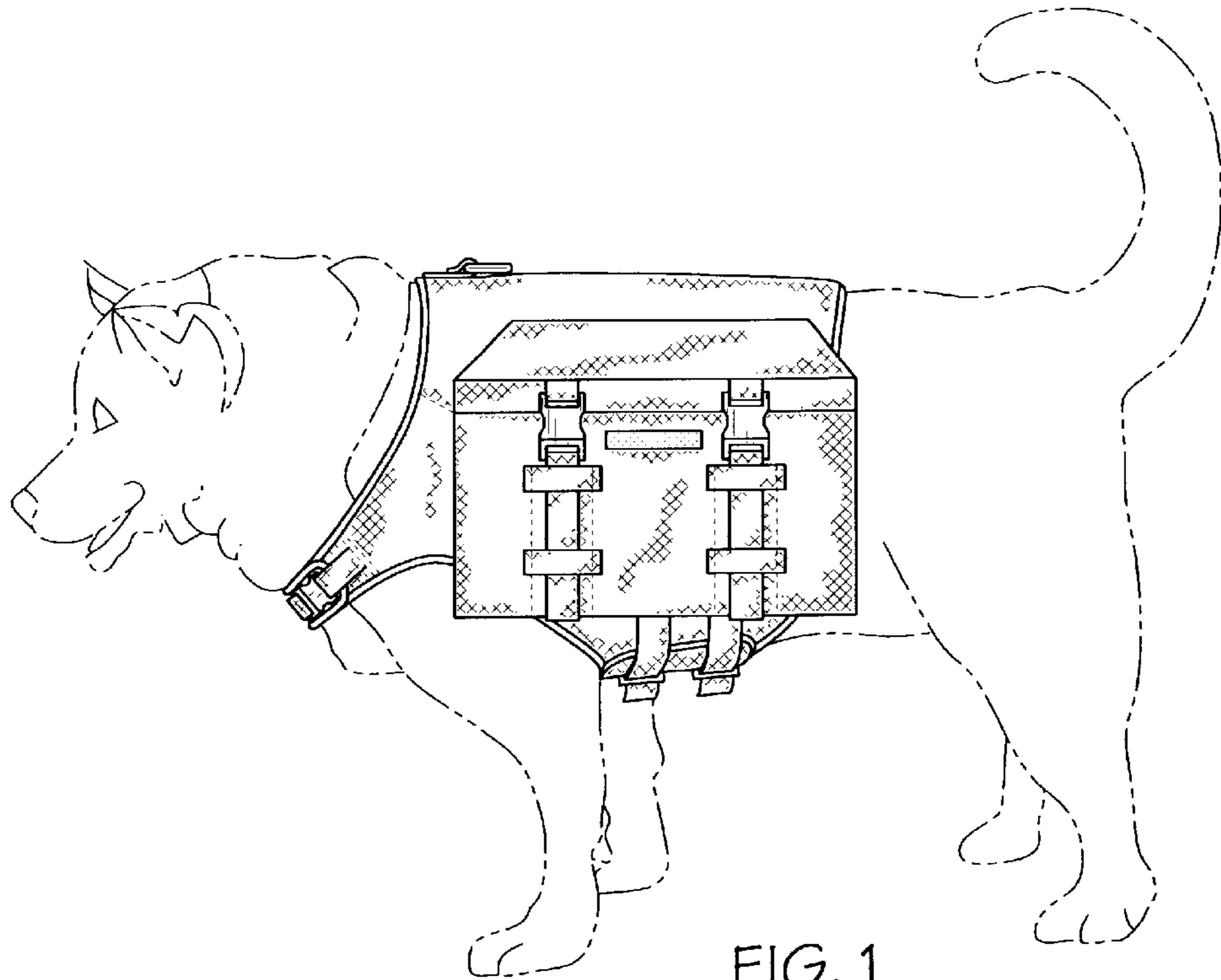


FIG. 1

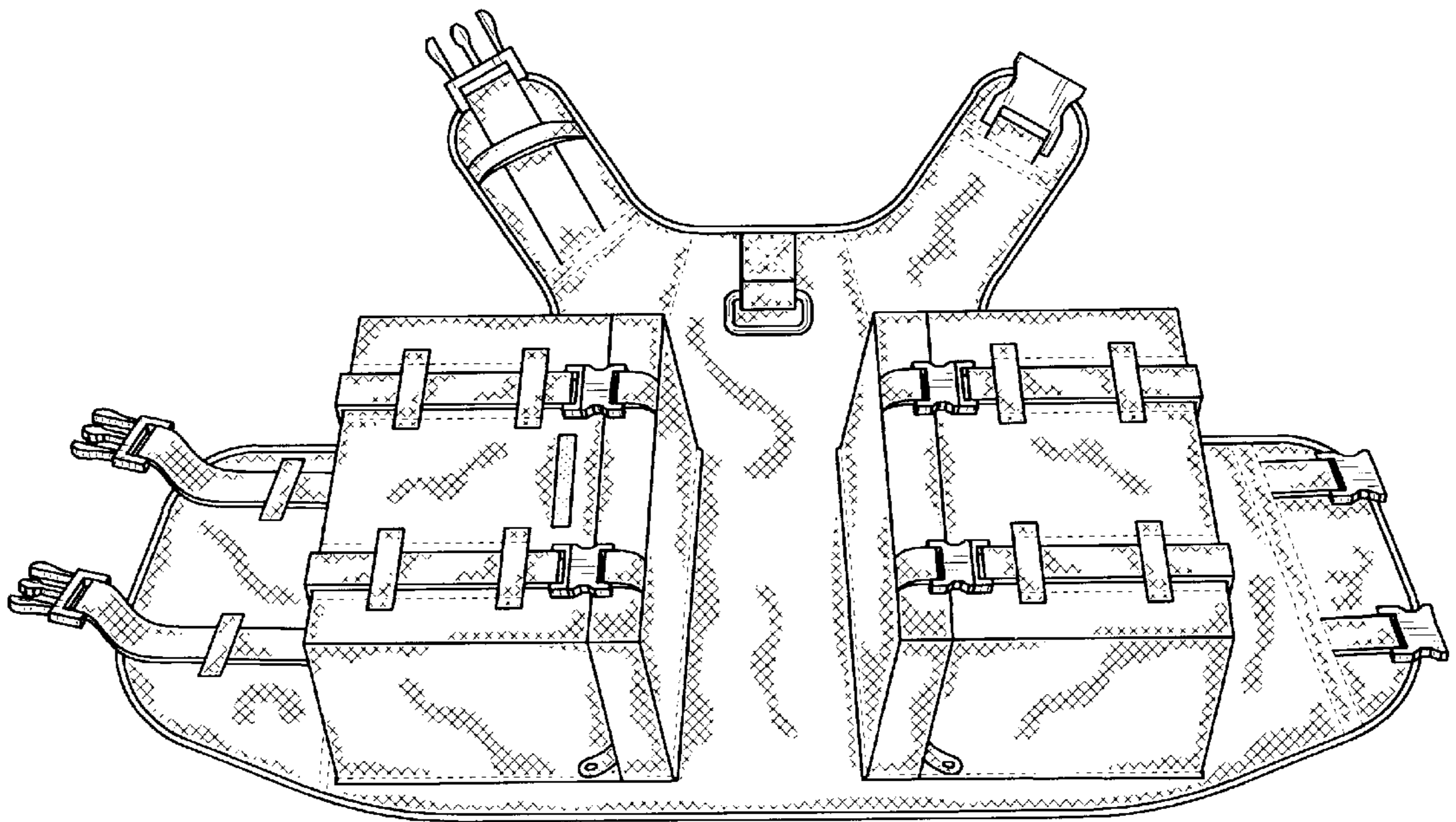


FIG. 2

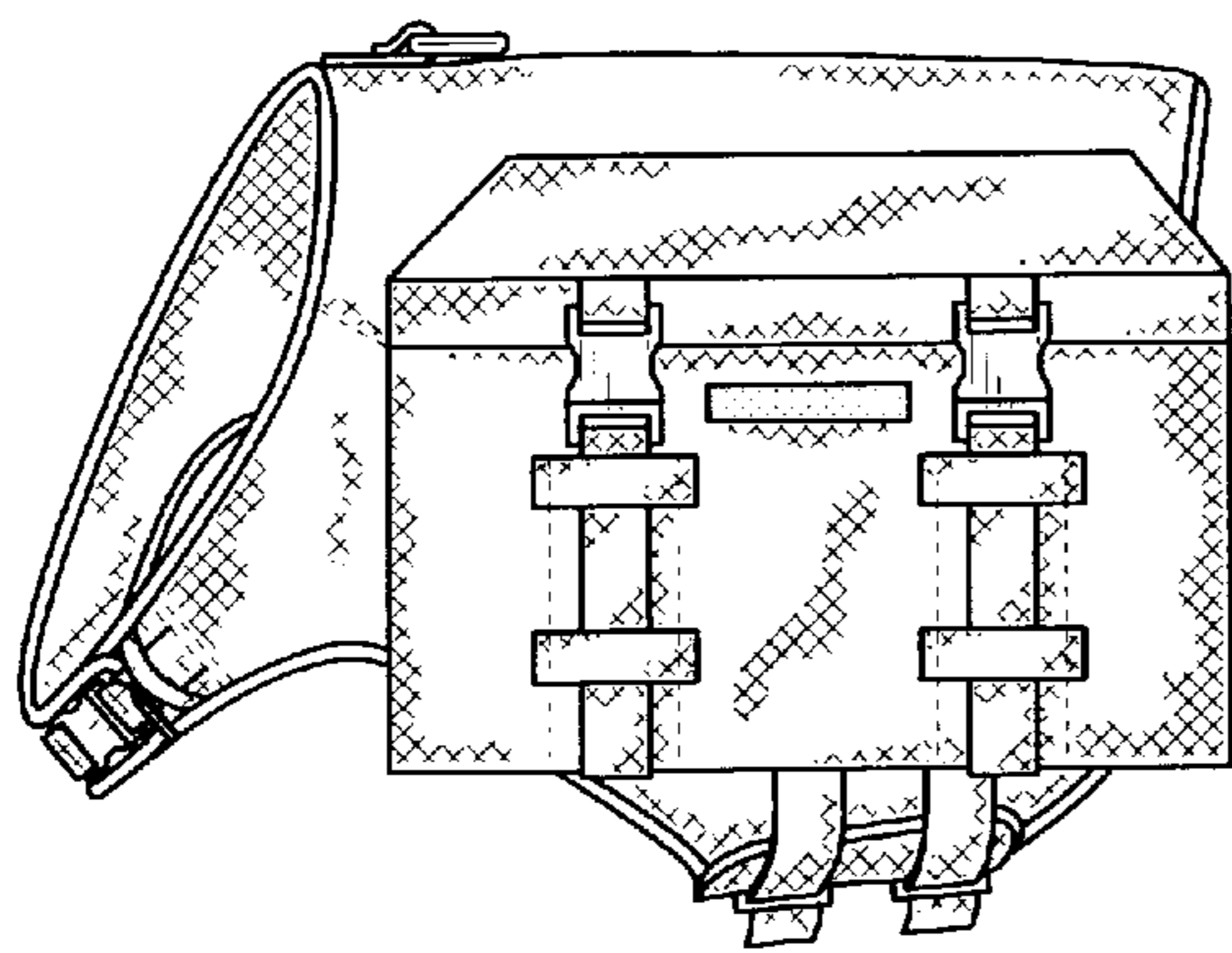


FIG. 3

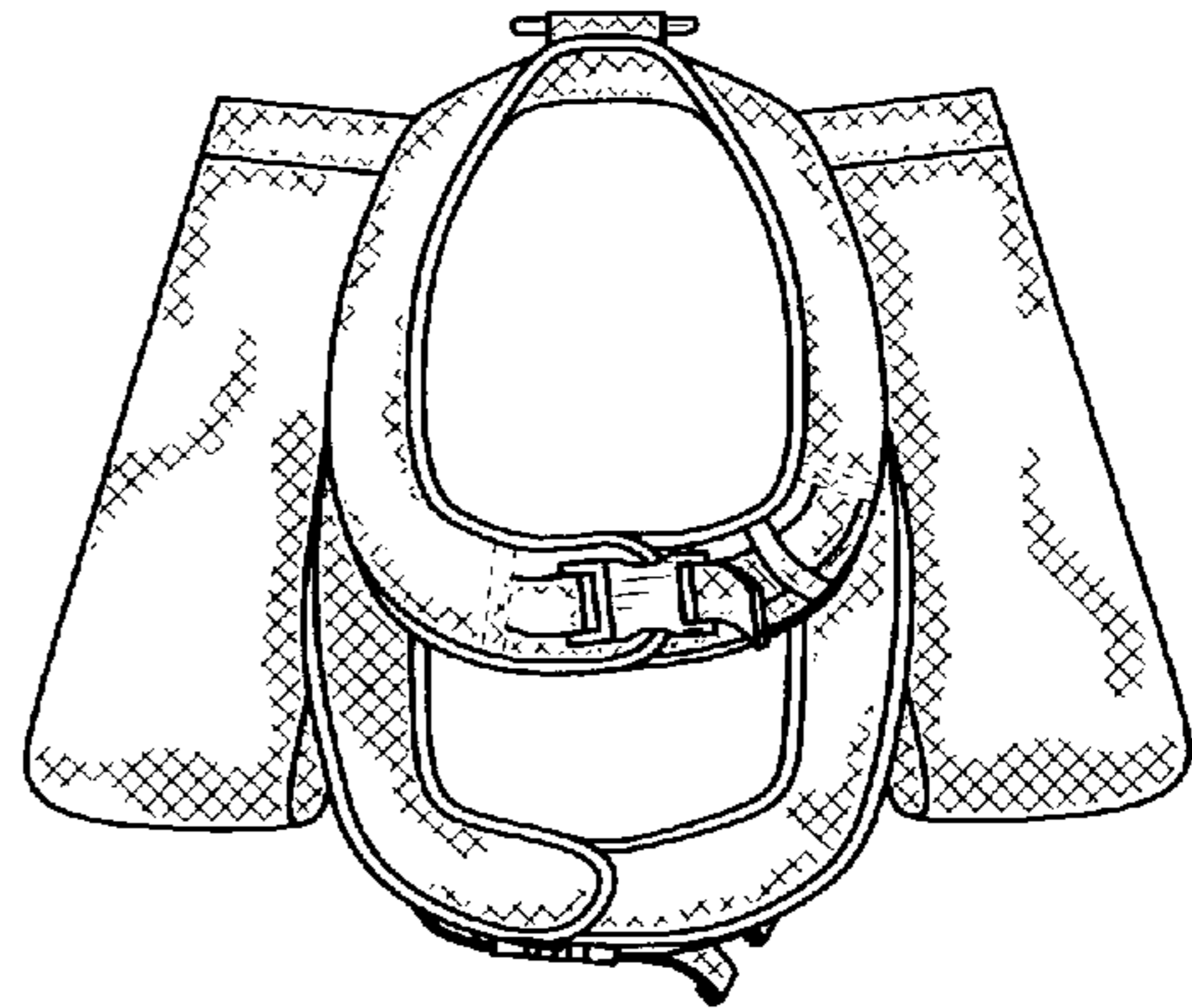


FIG. 4

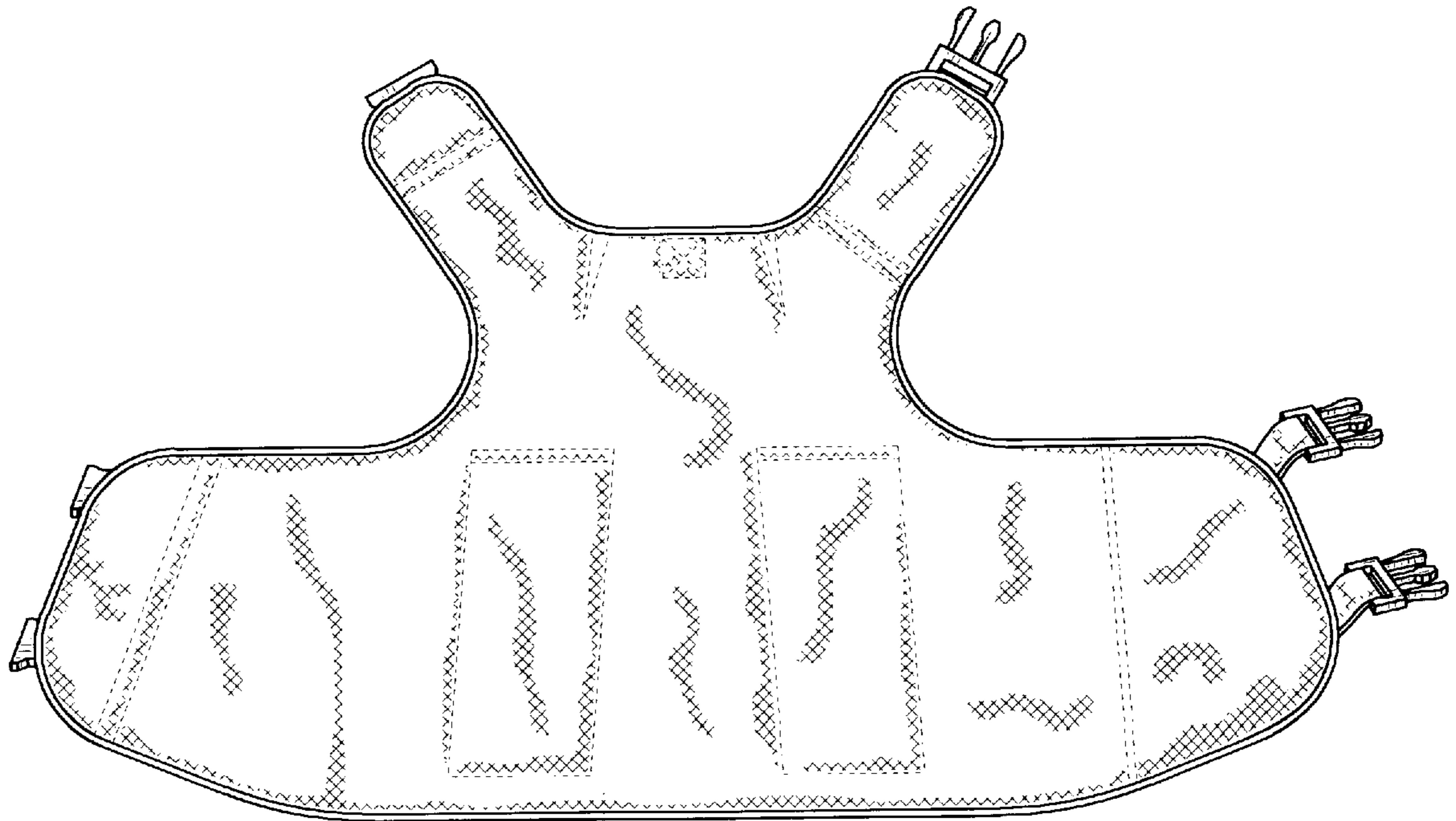


FIG. 5