



US00D429381S

**United States Patent** [19]  
**Pratt**

[11] **Patent Number: Des. 429,381**

[45] **Date of Patent: \*\* Aug. 8, 2000**

[54] **ELECTRICAL NAIL FILE**

[76] **Inventor: Donna Jo Pratt, 1520 N. Indiana Ave., Kokomo, Ind. 46901**

[\*\*] **Term: 14 Years**

[21] **Appl. No.: 29/111,688**

[22] **Filed: Oct. 1, 1999**

[51] **LOC (7) Cl. .... 28-03**

[52] **U.S. Cl. .... D28/58**

[58] **Field of Search ..... D28/58, 59; 132/73, 132/73.6, 76.4; 606/131**

[56] **References Cited**

**U.S. PATENT DOCUMENTS**

- D. 110,010 6/1938 Acocella ..... D28/58
- D. 205,920 10/1966 Baron ..... D28/58
- D. 247,317 2/1978 Mantelet ..... D28/58 X
- D. 314,068 1/1991 Sulik ..... D28/58
- D. 339,214 9/1993 Eckard ..... D28/58

*Primary Examiner*—Dominic Simone

[57] **CLAIM**

The ornamental design for a electrical nail file, as shown and described.

**DESCRIPTION**

FIG. 1 is a top plan view of the electrical nail file of the present invention;

FIG. 2 is a bottom plan view of the electrical nail file of FIG. 1;

FIG. 3 is a left side elevational view of the electrical nail file of FIG. 1;

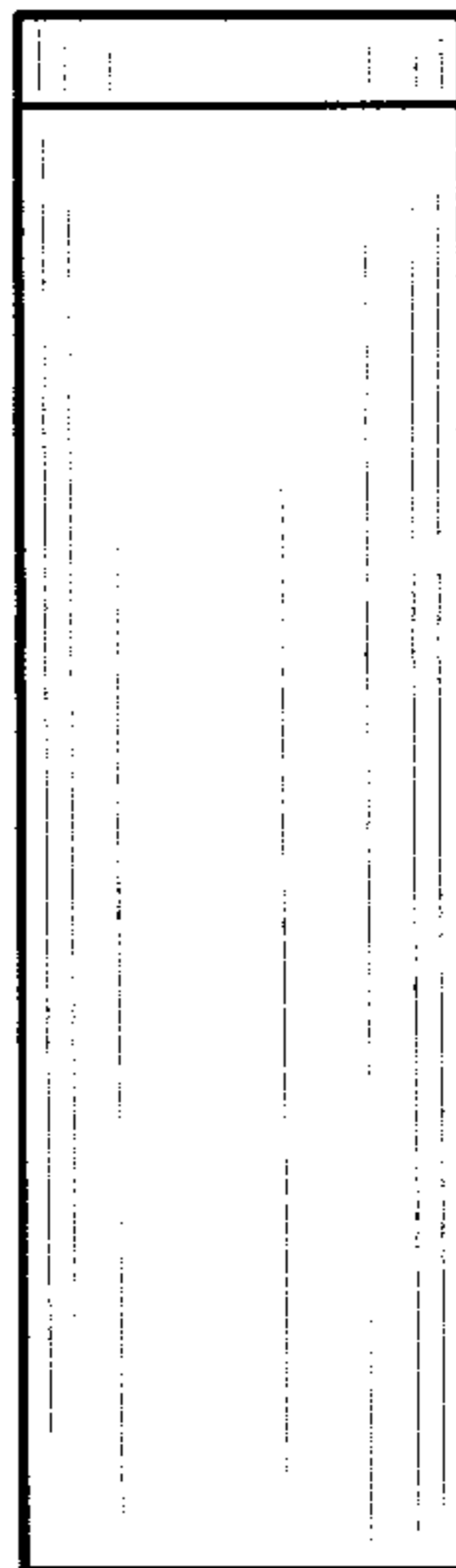
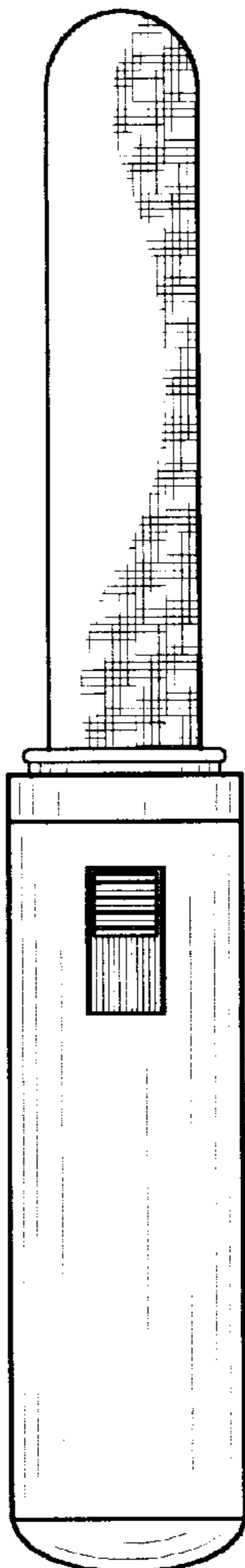
FIG. 4 is a right side elevational view of the electrical nail file of FIG. 1;

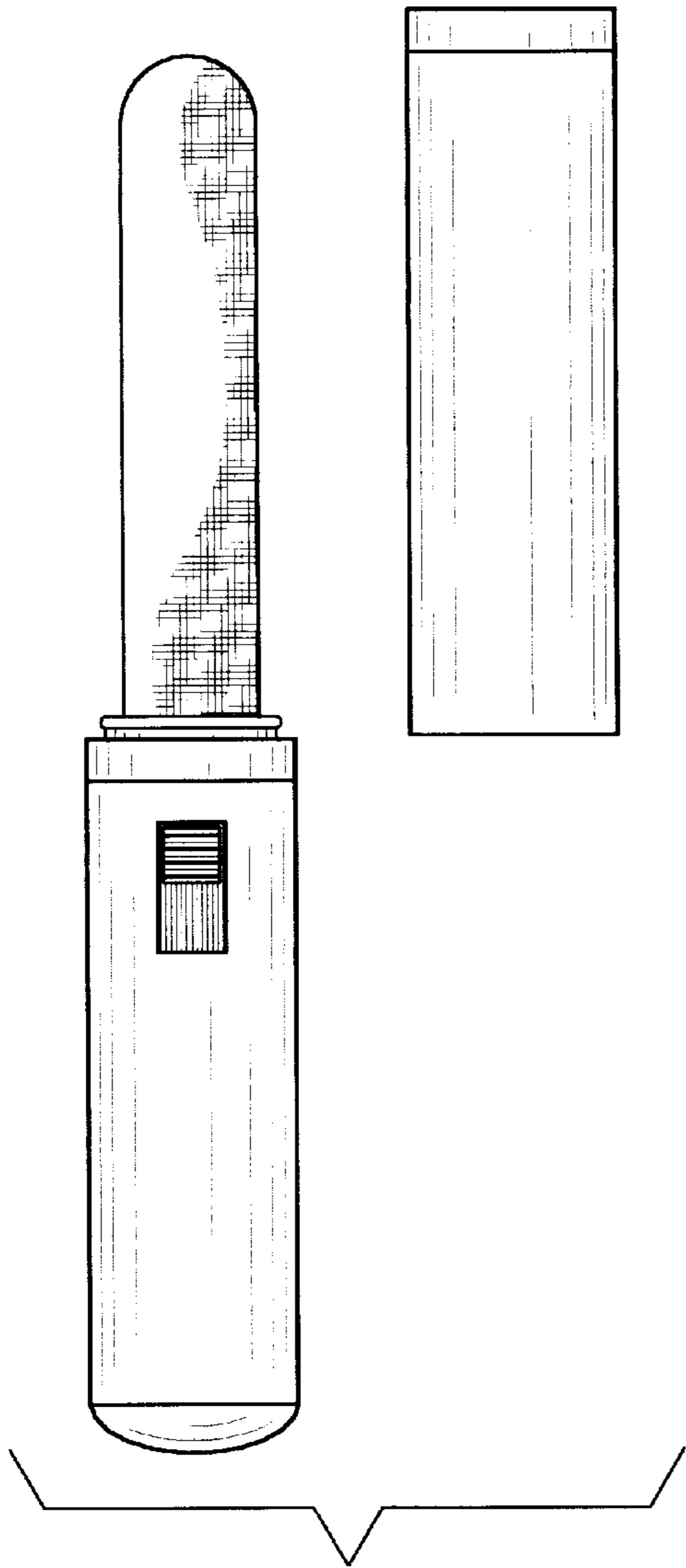
FIG. 5 is a front elevational view of the electrical nail file of FIG. 1;

FIG. 6 is a rear elevational view of the electrical nail file of FIG. 1; and,

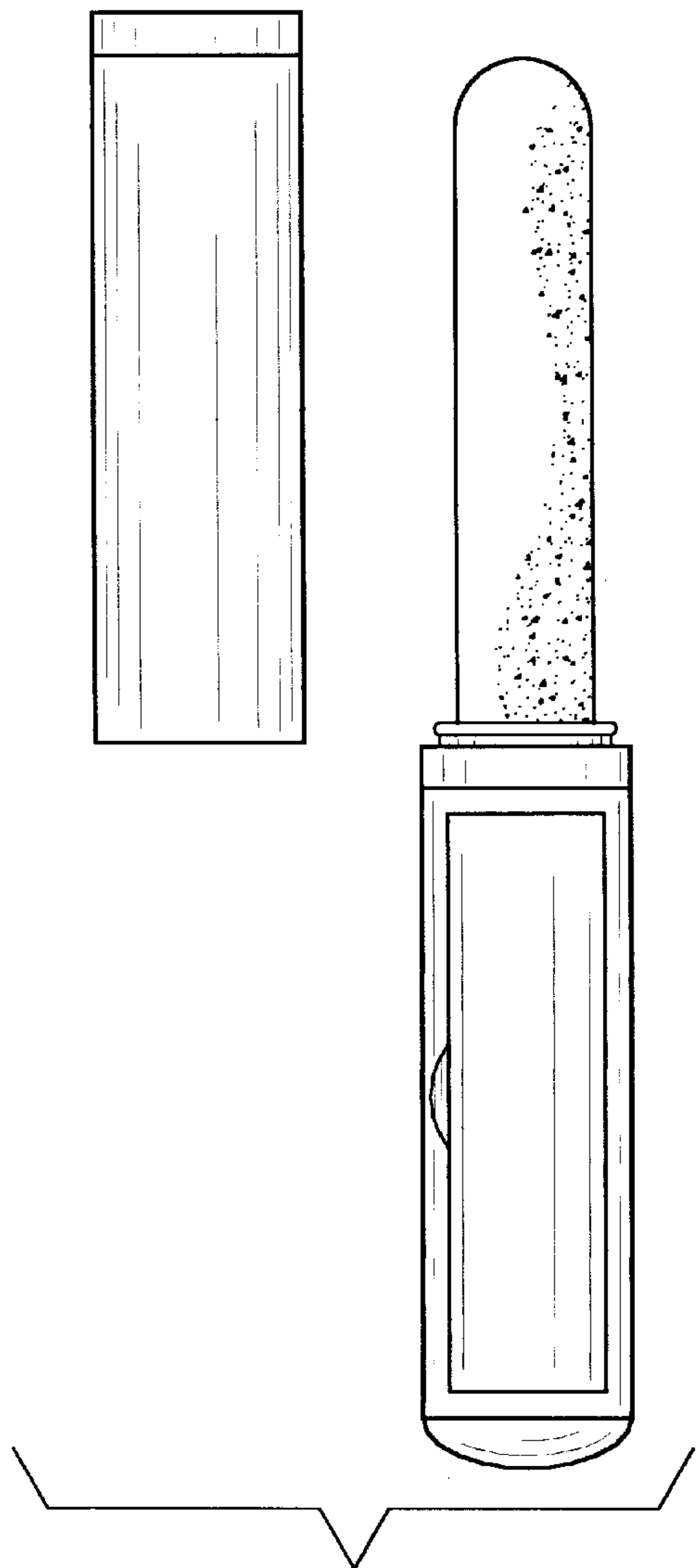
FIG. 7 is an exploded top, front, right side perspective view of the electrical nail file of FIG. 1, shown separate from the cap for ease and clarity of illustration.

**1 Claim, 3 Drawing Sheets**

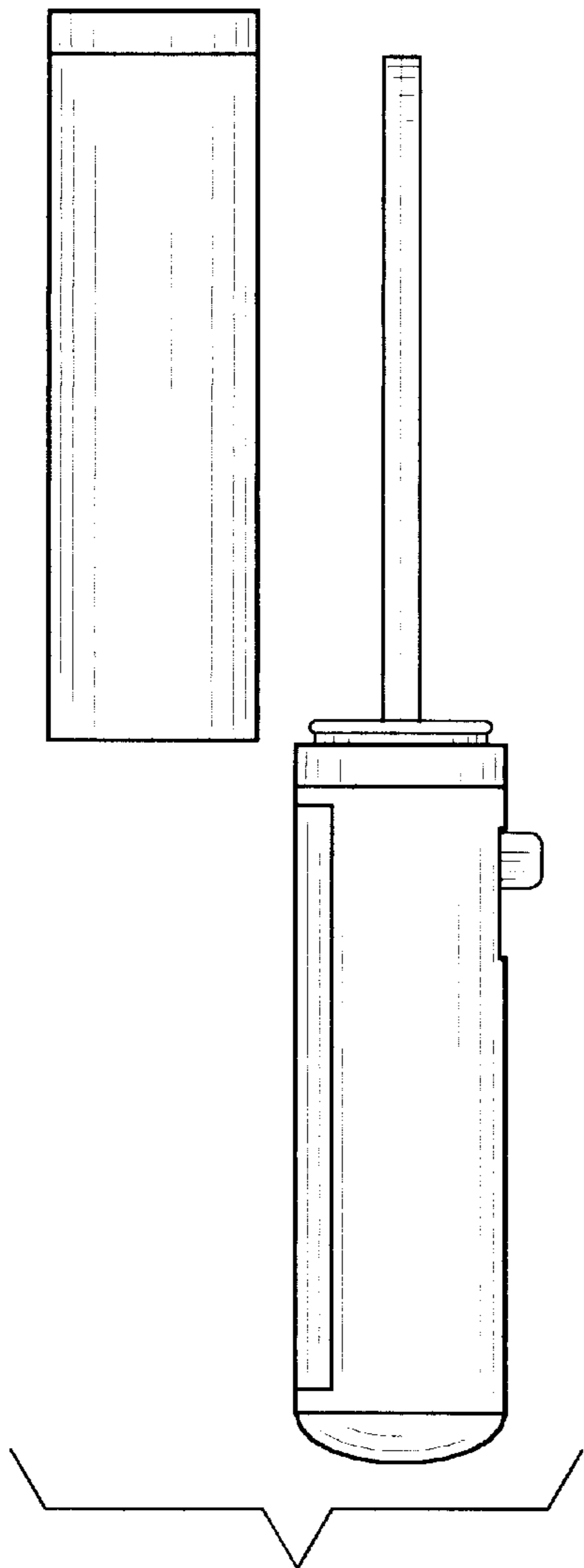




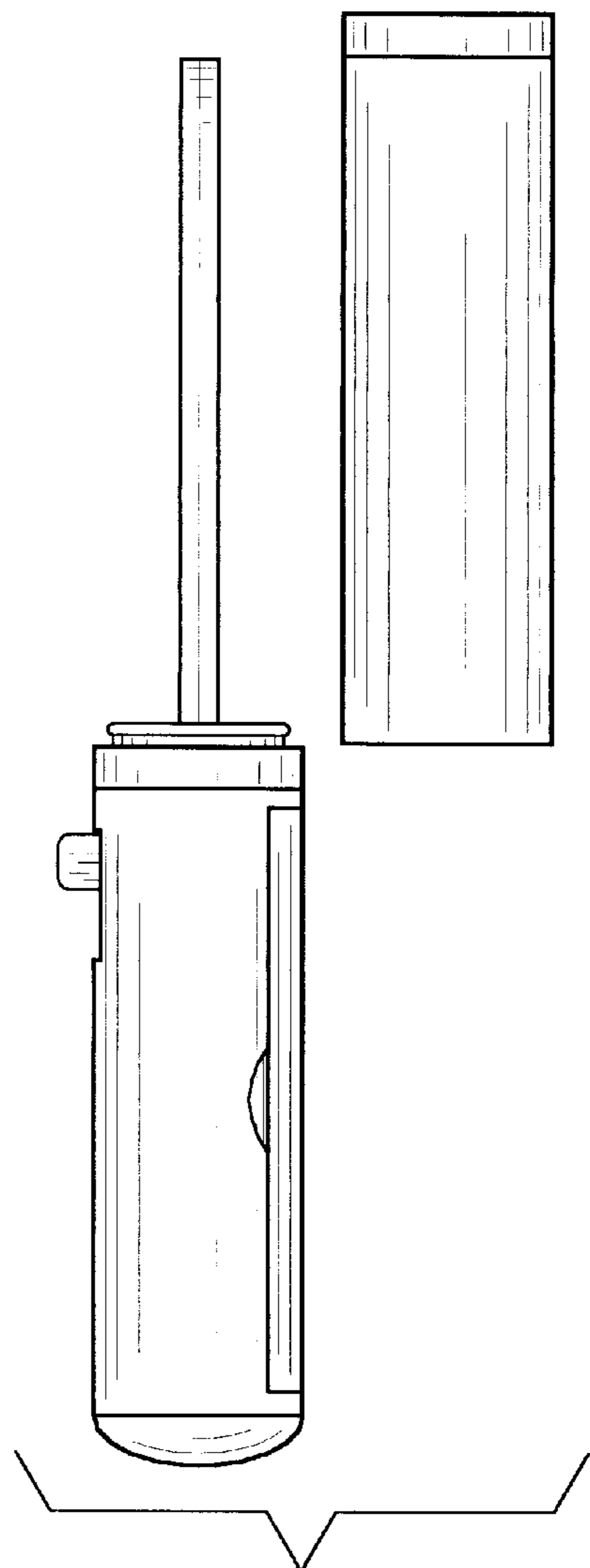
*Fig. 1*



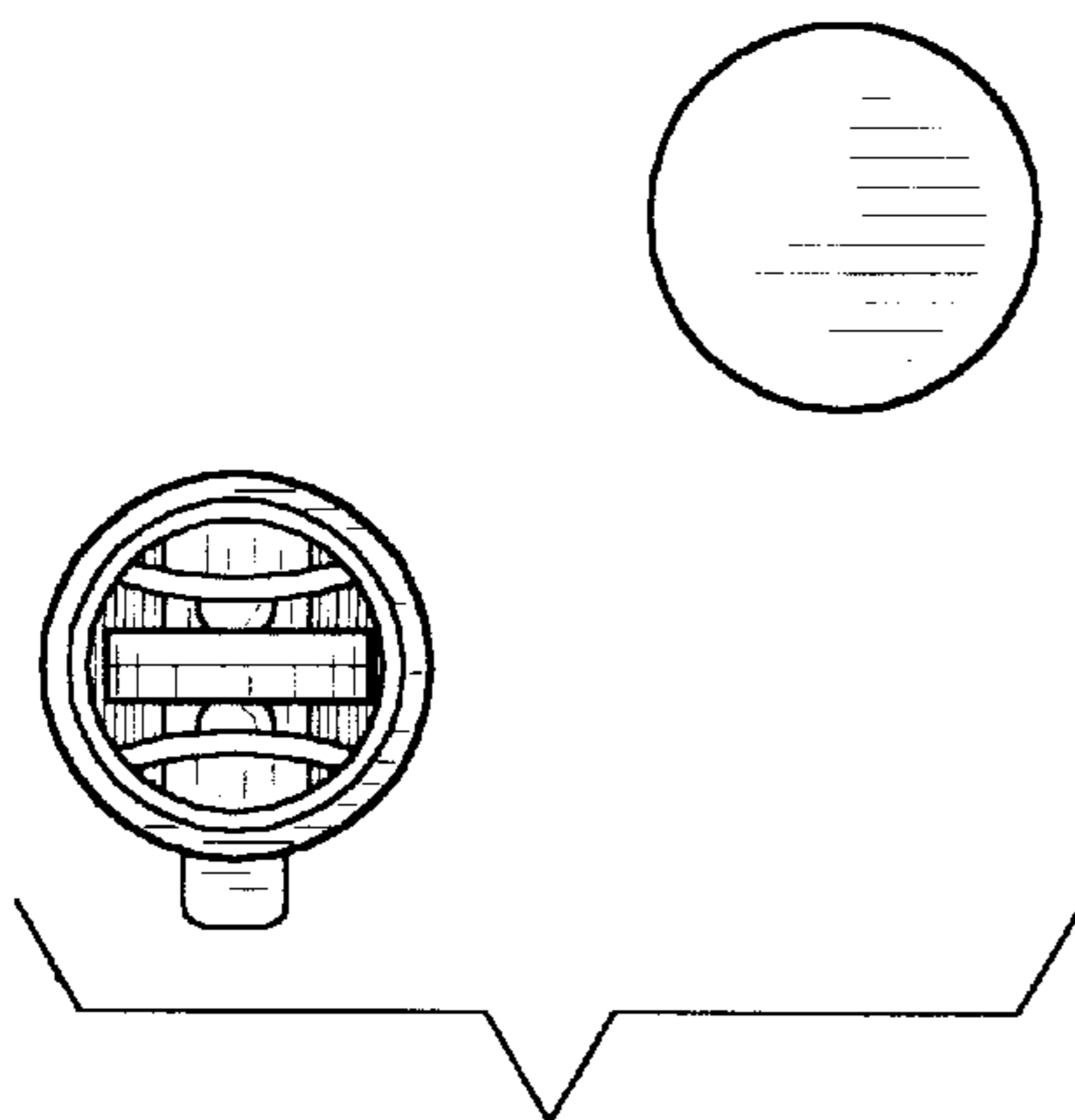
*Fig. 2*



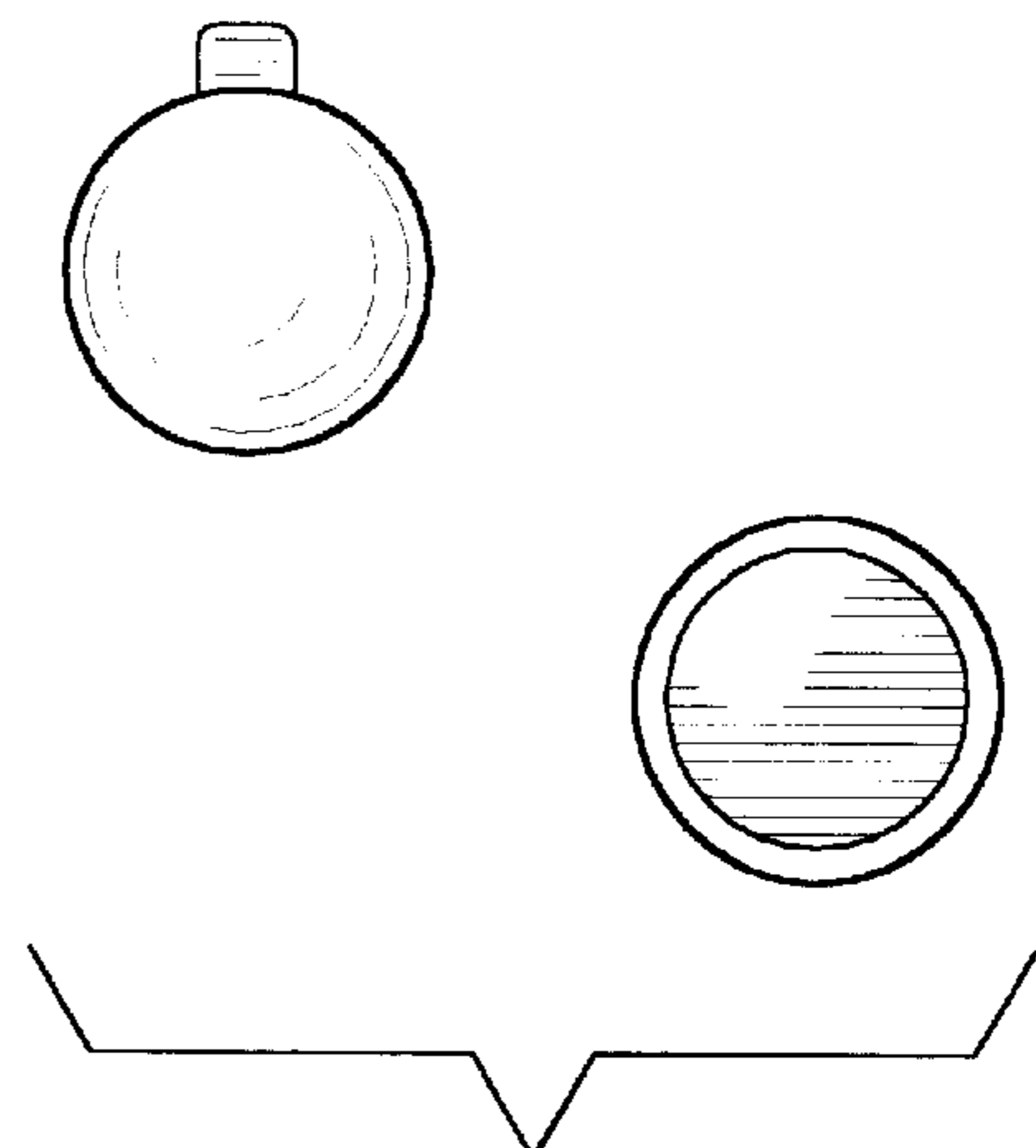
*Fig. 3*



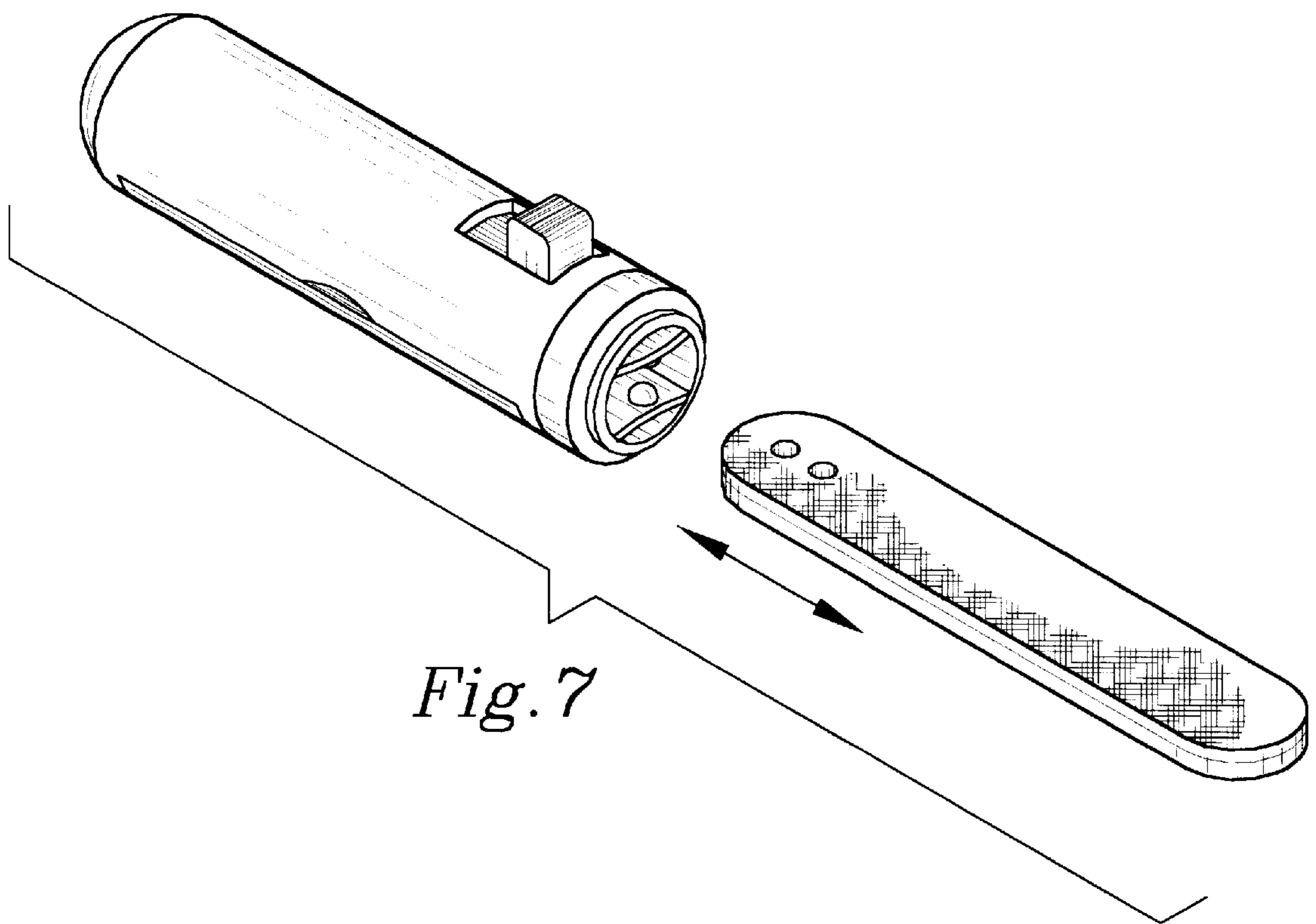
*Fig. 4*



*Fig. 5*



*Fig. 6*



*Fig. 7*