



US00D429379S

# United States Patent [19] Kim

[11] Patent Number: **Des. 429,379**

[45] Date of Patent: **\*\* Aug. 8, 2000**

[54] **PEDICURE SPA**

[76] Inventor: **Yun Ho Kim**, 20 Wheatfield La.,  
Commack, N.Y. 11725

[\*\*] Term: **14 Years**

[21] Appl. No.: **29/100,679**

[22] Filed: **Feb. 16, 1999**

[51] **LOC (7) Cl.** ..... **28-02**

[52] **U.S. Cl.** ..... **D28/56**

[58] **Field of Search** ..... D28/56, 61, 9;  
D24/204, 205; D6/336, 364, 367; 4/574.1,  
622

[56] **References Cited**

**U.S. PATENT DOCUMENTS**

D. 94,081	12/1934	Fullmer	.....	D24/205
233,304	10/1880	Ward	.....	4/574.1
D. 242,292	11/1976	Miller et al.	.....	D24/205
D. 288,729	3/1987	Meyerovich et al.	..	
D. 303,162	8/1989	Meyerovich et al.	..	
D. 412,600	8/1999	Oh et al.	.....	D28/56
1,021,346	3/1912	Wilson	.....	1/574.1

**OTHER PUBLICATIONS**

Korex Brochure.  
Rainbow Formica Design Brochure.  
Pacific Tech International Brochure.

Jekoam Int'l, Inc. Brochure.

European Touch Ltd. Brochure.

Rokman Beauty Supplies, Inc. Brochure.

*Primary Examiner*—Dominic Simone  
*Attorney, Agent, or Firm*—Hedman, Gibson & Costigan,  
P.C.

[57] **CLAIM**

The ornamental design for a pedicure spa, as shown and described.

**DESCRIPTION**

FIG. 1 is a perspective view taken from the top front and left of the pedicure spa;

FIG. 2 is a left side view of the pedicure spa;

FIG. 3 is a right side view of the pedicure spa;

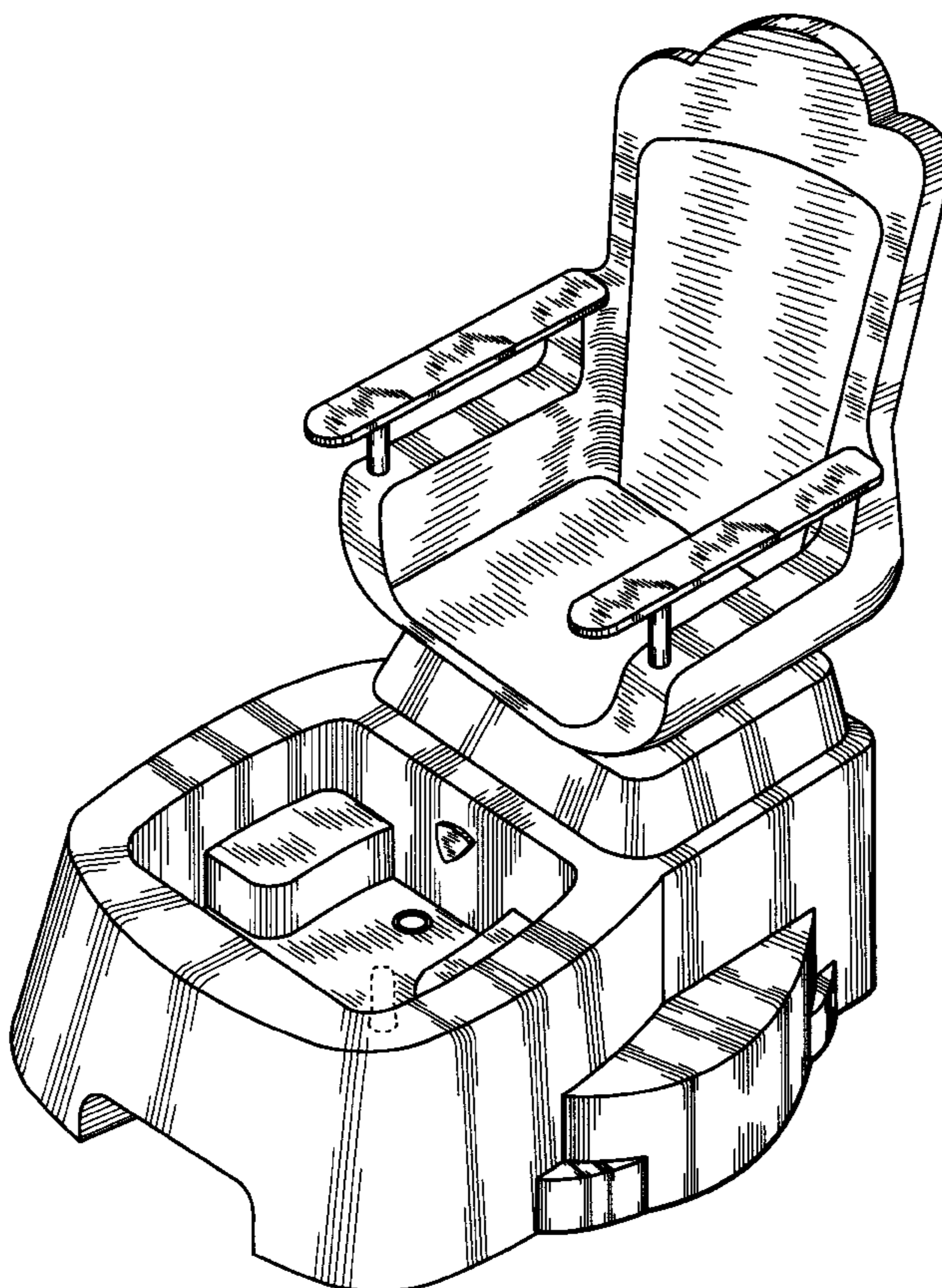
FIG. 4 is a front view of the pedicure spa;

FIG. 5 is a rear view of the pedicure spa;

FIG. 6 is a top plan view of the pedicure spa; and,

FIG. 7 is a bottom plan view of the pedicure spa.

**1 Claim, 5 Drawing Sheets**



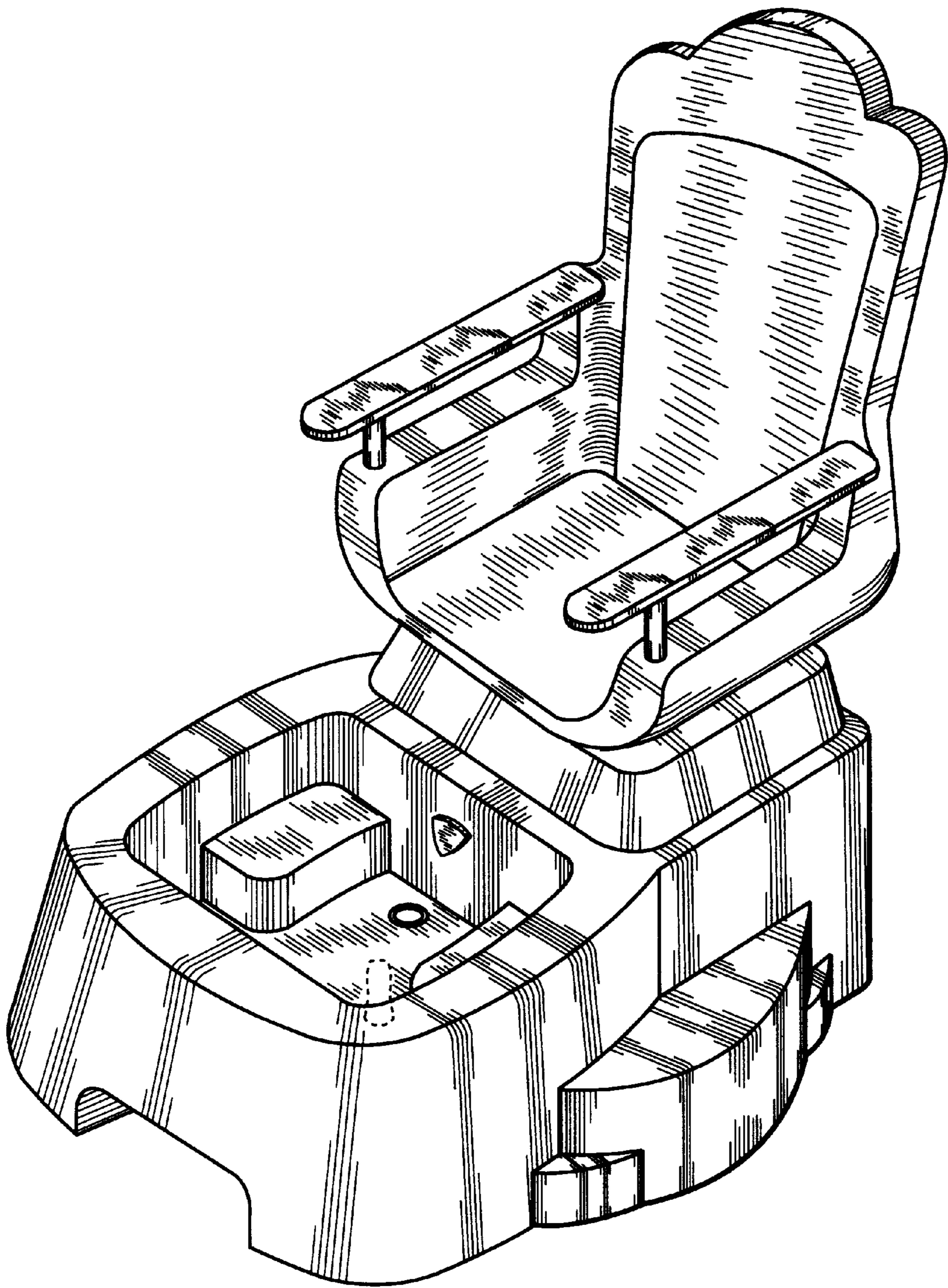


FIG. 1

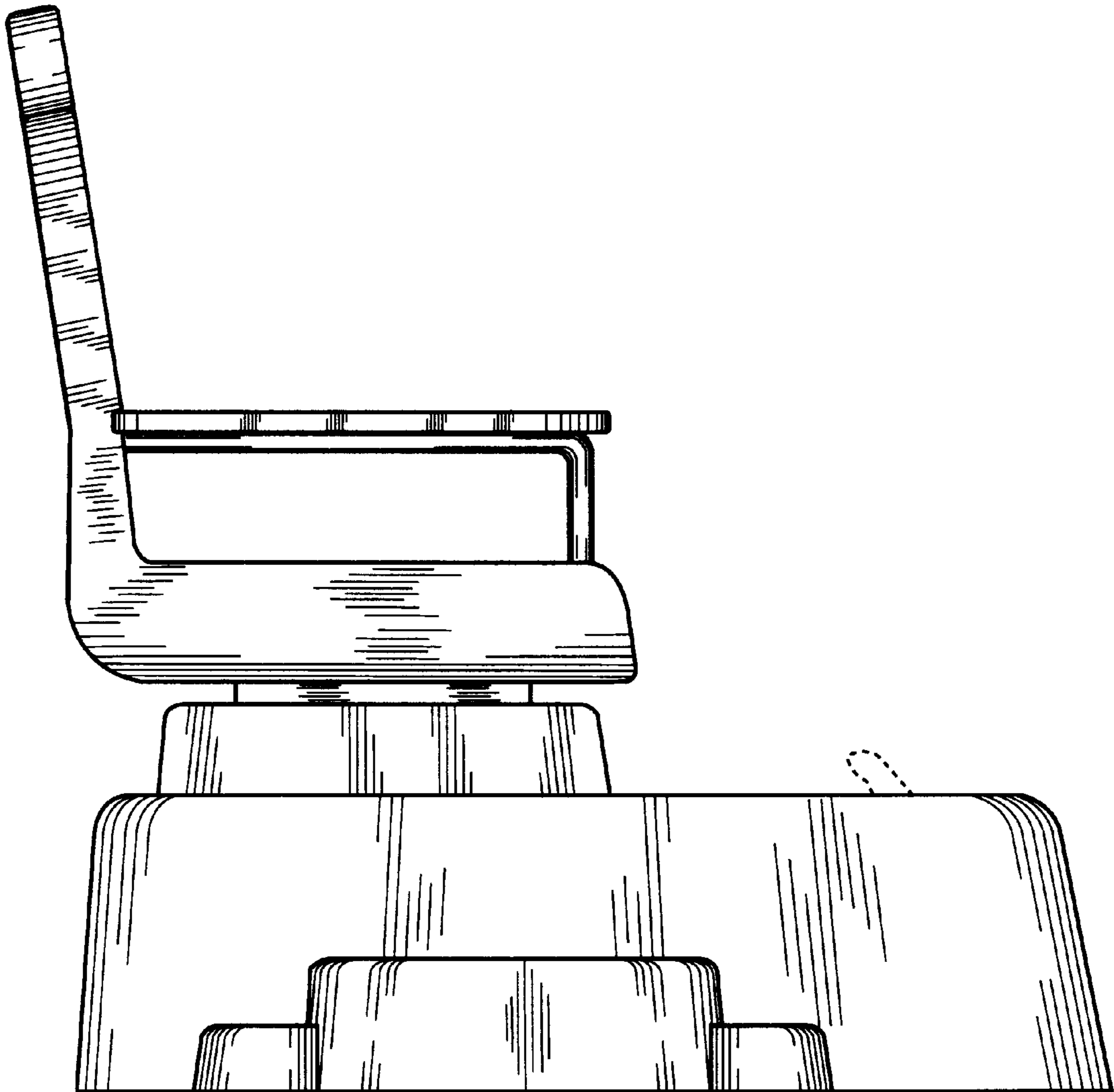


FIG. 2

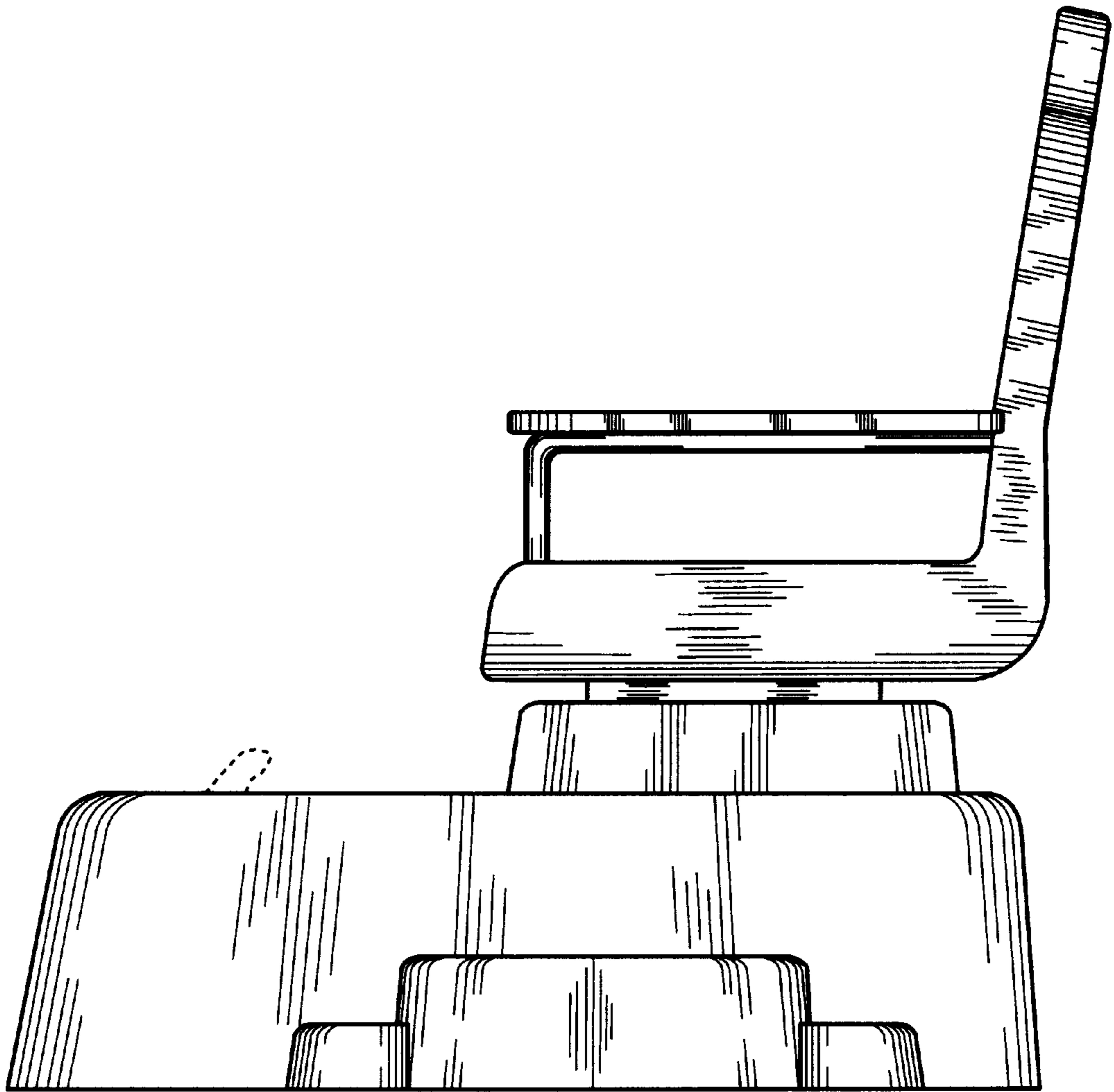


FIG. 3

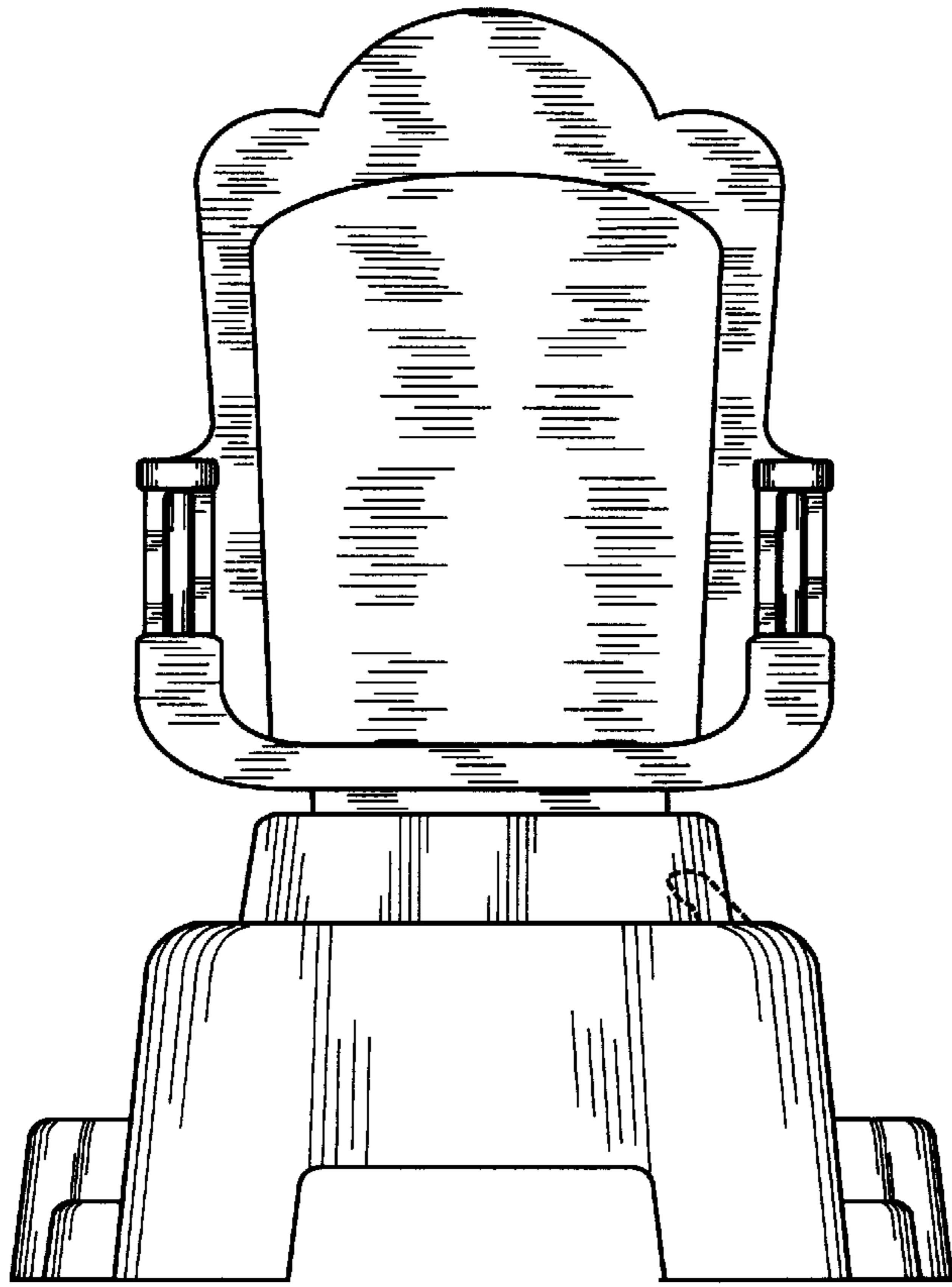


FIG. 4

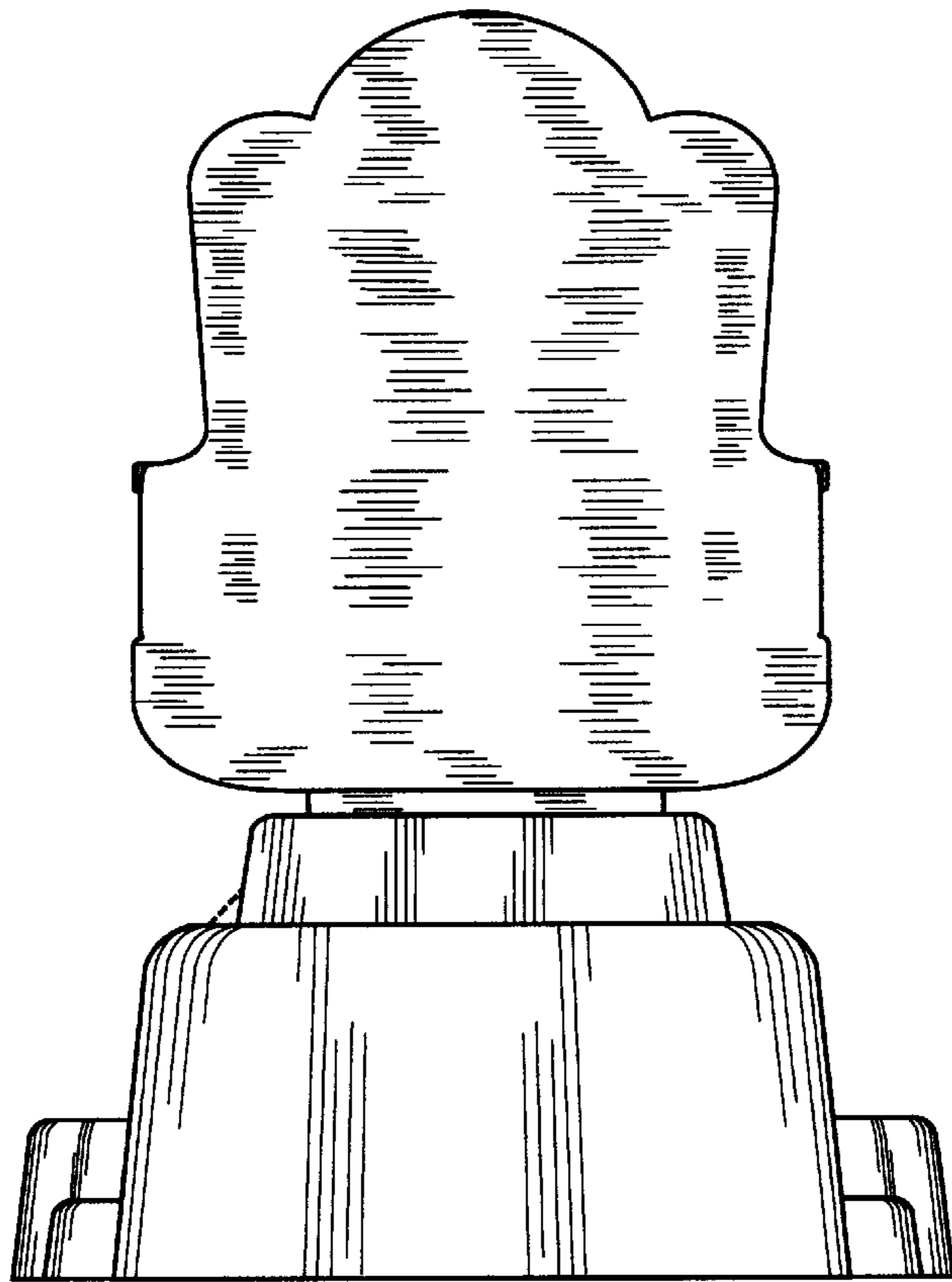


FIG. 5

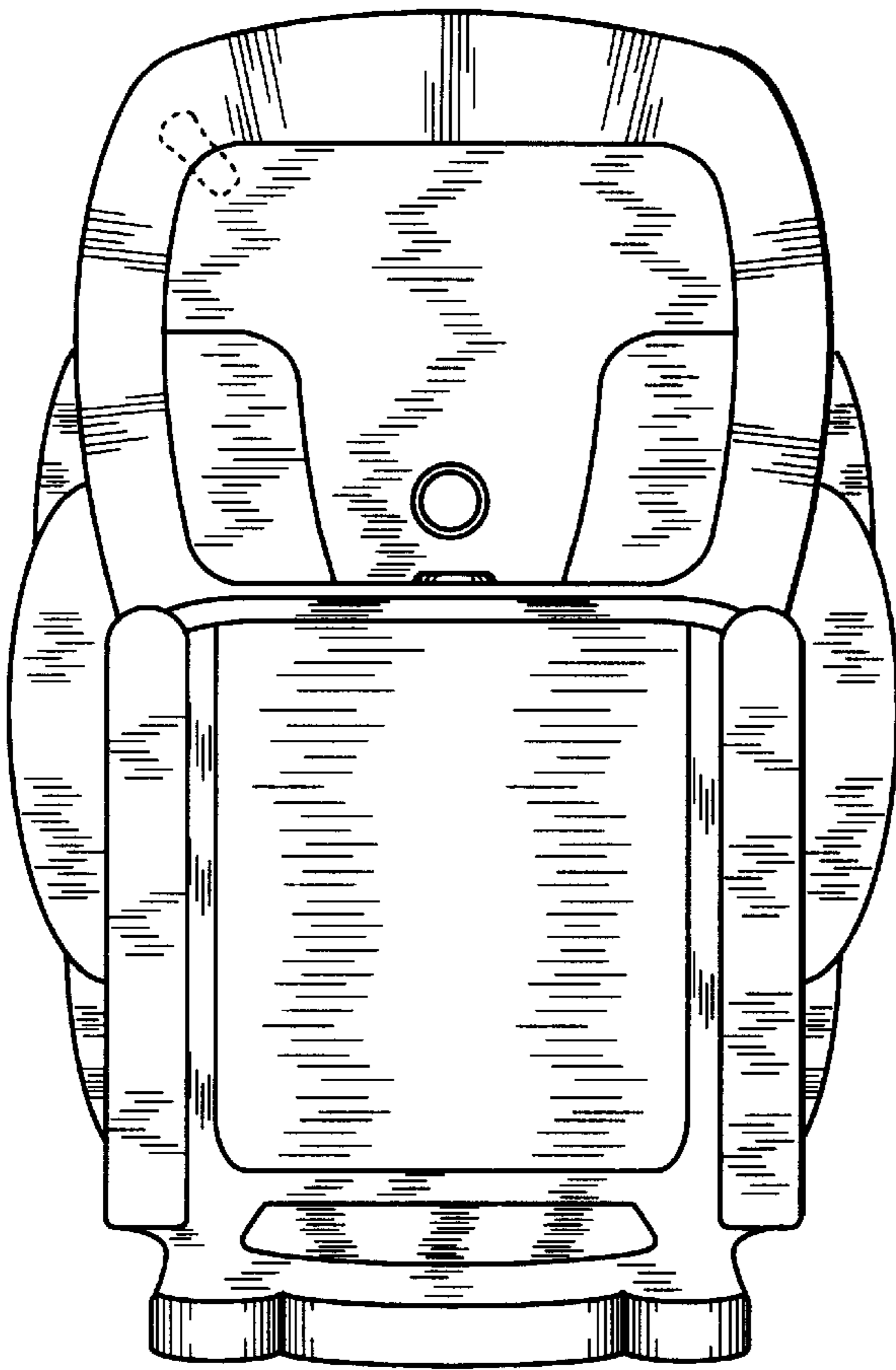


FIG. 6

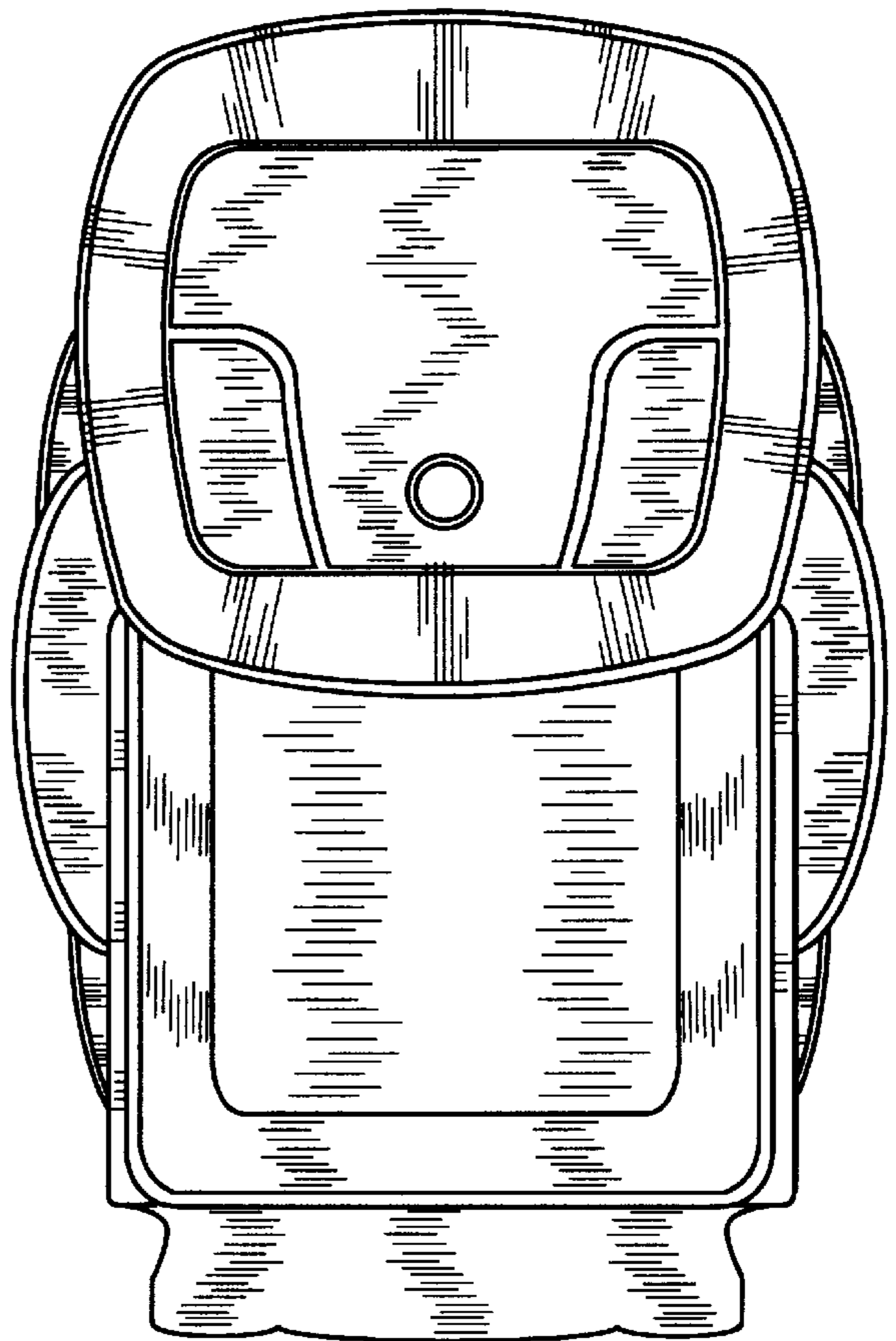


FIG. 7