



US00D429375S

United States Patent [19] Choi

[11] **Patent Number: Des. 429,375**

[45] **Date of Patent: ** Aug. 8, 2000**

[54] **ELECTRIC CURLER FOR EYELASHES**

[75] Inventor: **Jeong Woo Choi**, Seoul, Rep. of Korea

[73] Assignee: **Unik Products Co., Ltd.**, Seoul, Rep. of Korea

[**] Term: **14 Years**

[21] Appl. No.: **29/096,365**

[22] Filed: **Nov. 12, 1998**

[30] **Foreign Application Priority Data**

Aug. 25, 1998 [KR] Rep. of Korea 98-14247

[51] **LOC (7) Cl.** **28-03**

[52] **U.S. Cl.** **D28/36**

[58] **Field of Search** D28/35, 36; 132/216-218, 132/223; 219/225

[56] **References Cited**

U.S. PATENT DOCUMENTS

D. 218,870	9/1970	Aylott	D28/36
1,923,862	8/1933	Frederics	219/225
1,925,266	9/1933	Manning	132/217
2,035,667	3/1936	Payes et al.	132/150
2,168,370	8/1939	Solomon	132/217
3,828,803	8/1974	Windsor	132/216

5,524,649	6/1996	Suh	132/217
5,685,324	11/1997	Huang	132/217
5,927,295	7/1999	Quinones	132/216

FOREIGN PATENT DOCUMENTS

918435	2/1947	France	132/217
--------	--------	--------	-------	---------

OTHER PUBLICATIONS

Hong Kong Enterprise Oct. 1997, 1) p. 20: item No. 8950 2) p. 182—eye lash curler.

Primary Examiner—Ted Shooman

Assistant Examiner—C. Tuttle

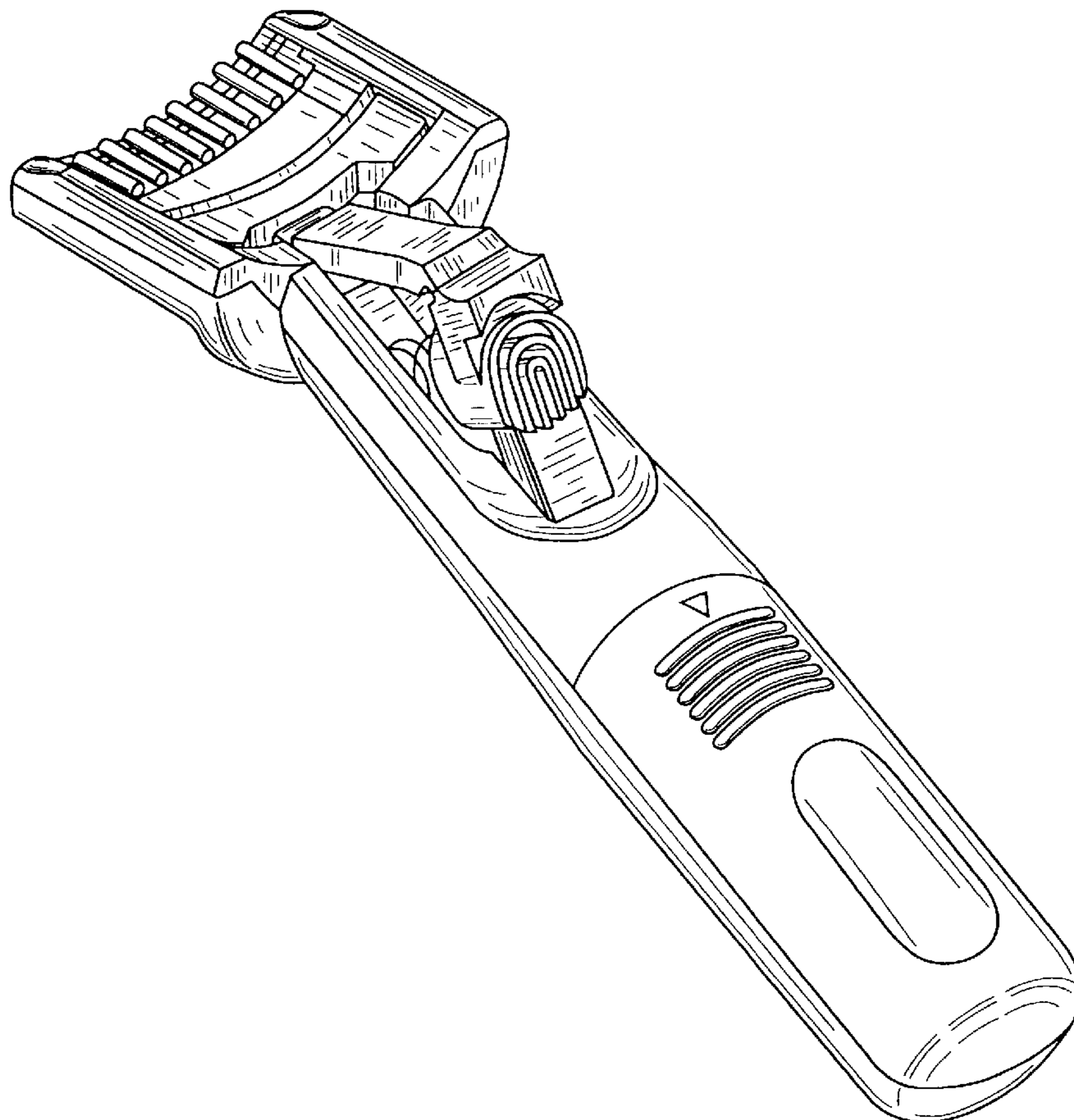
[57] **CLAIM**

The ornamental design for a electric curler for eyelashes, as shown and described.

DESCRIPTION

FIG. 1 is a perspective view of a electric curler for eyelashes showing our new design;
FIG. 2 is a front elevational view thereof;
FIG. 3 is a rear elevational view thereof;
FIG. 4 is a left side elevational view thereof (the right side is a mirror image);
FIG. 5 is a top plan view thereof; and,
FIG. 6 is a bottom plan view thereof.

1 Claim, 3 Drawing Sheets



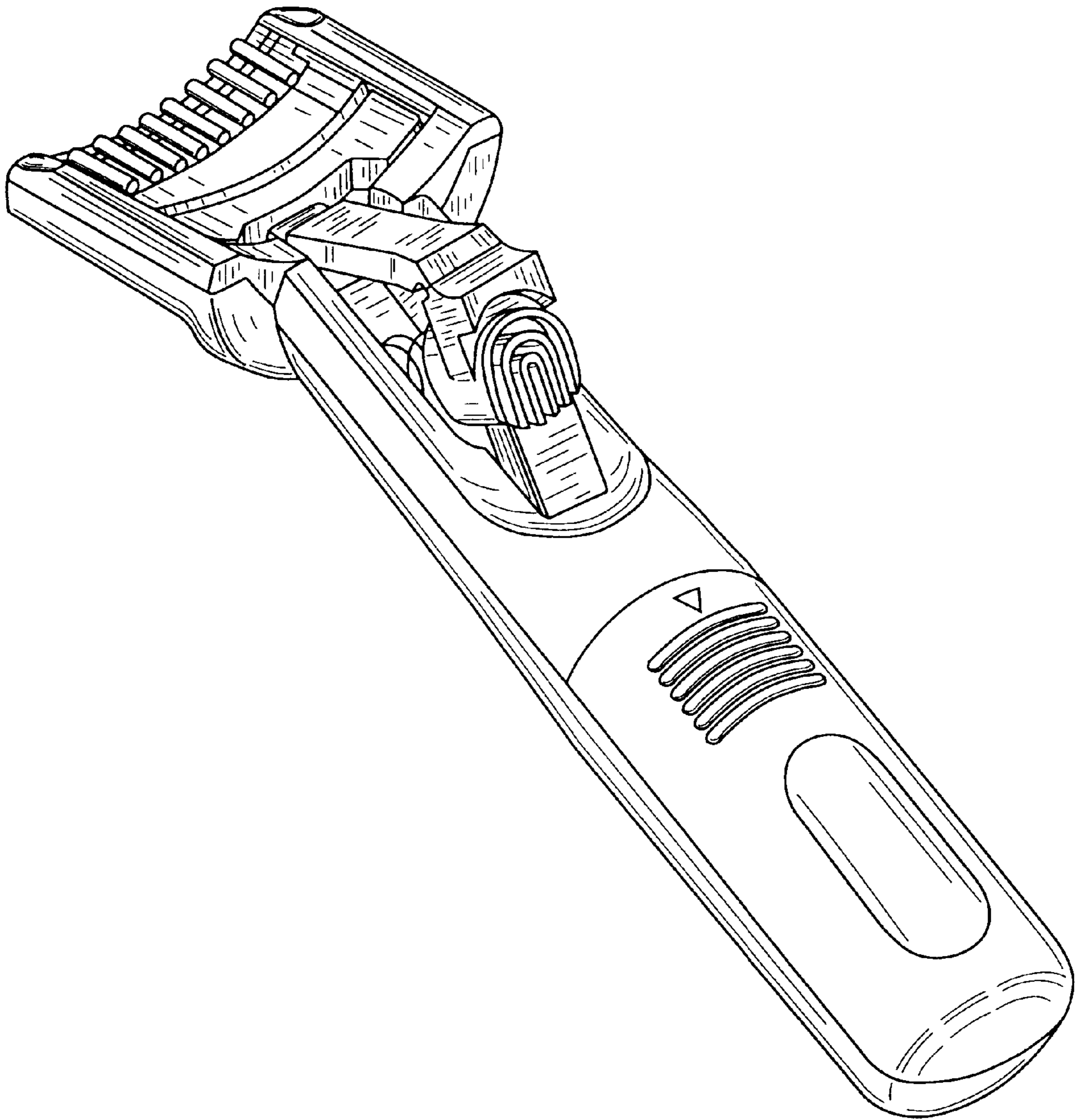


FIG. 1

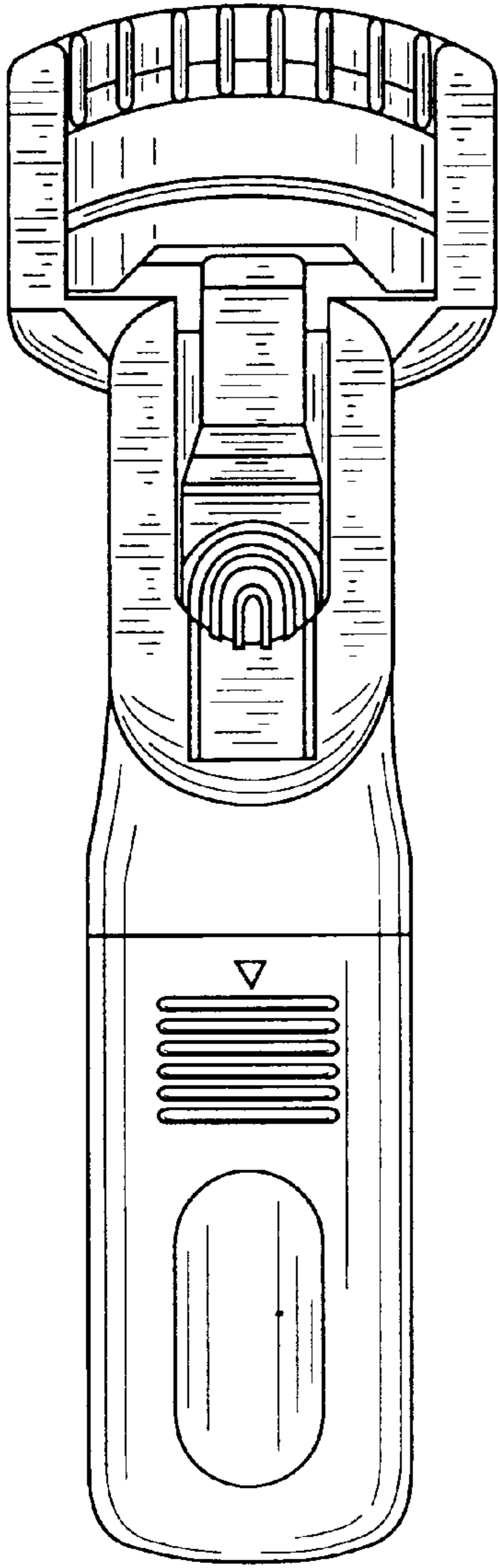


FIG. 2

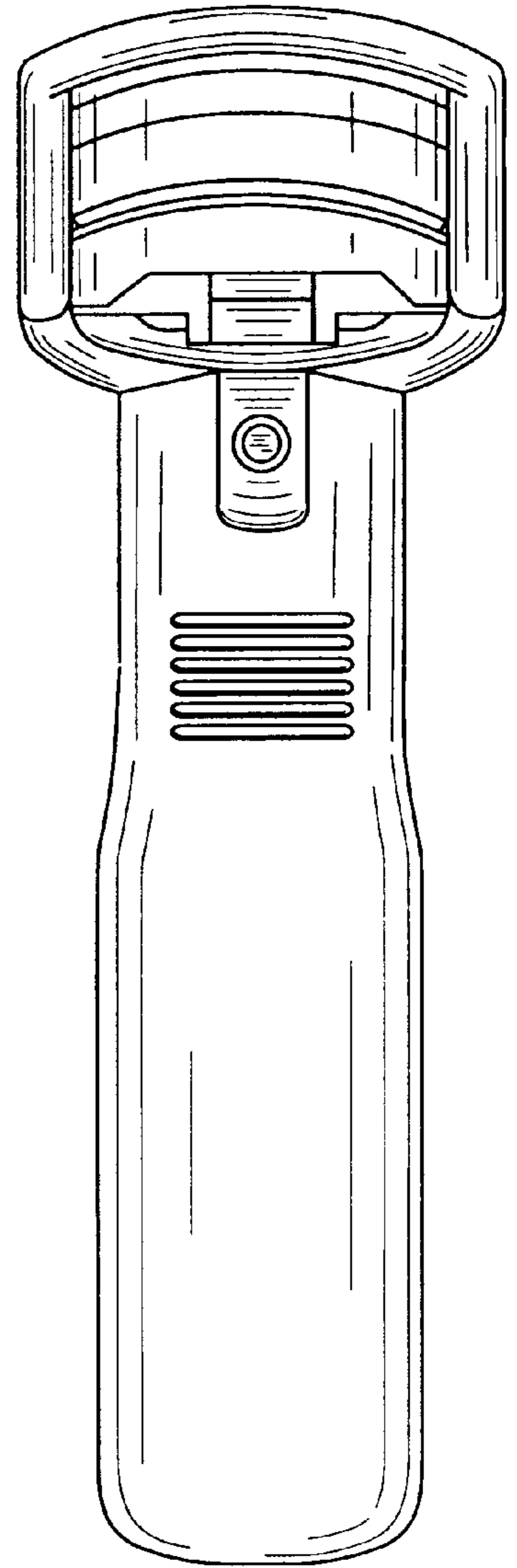


FIG. 3

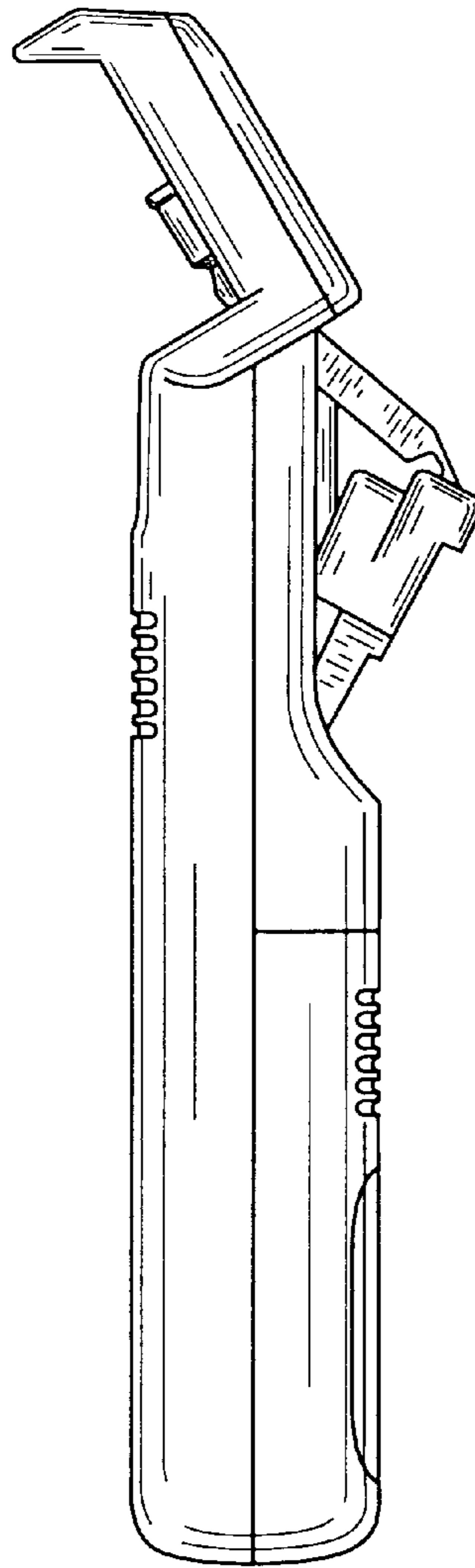


FIG. 4

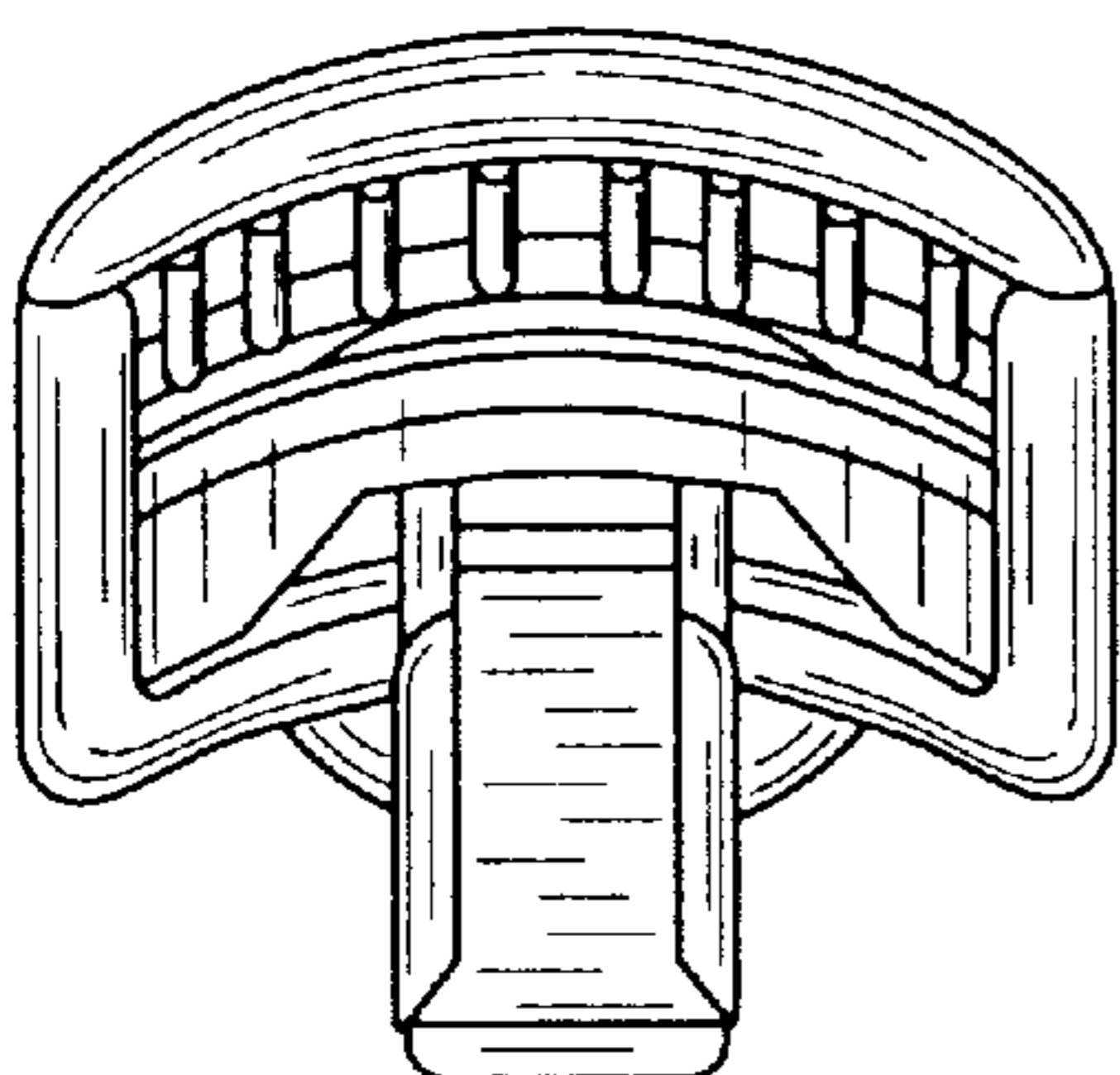


FIG. 5

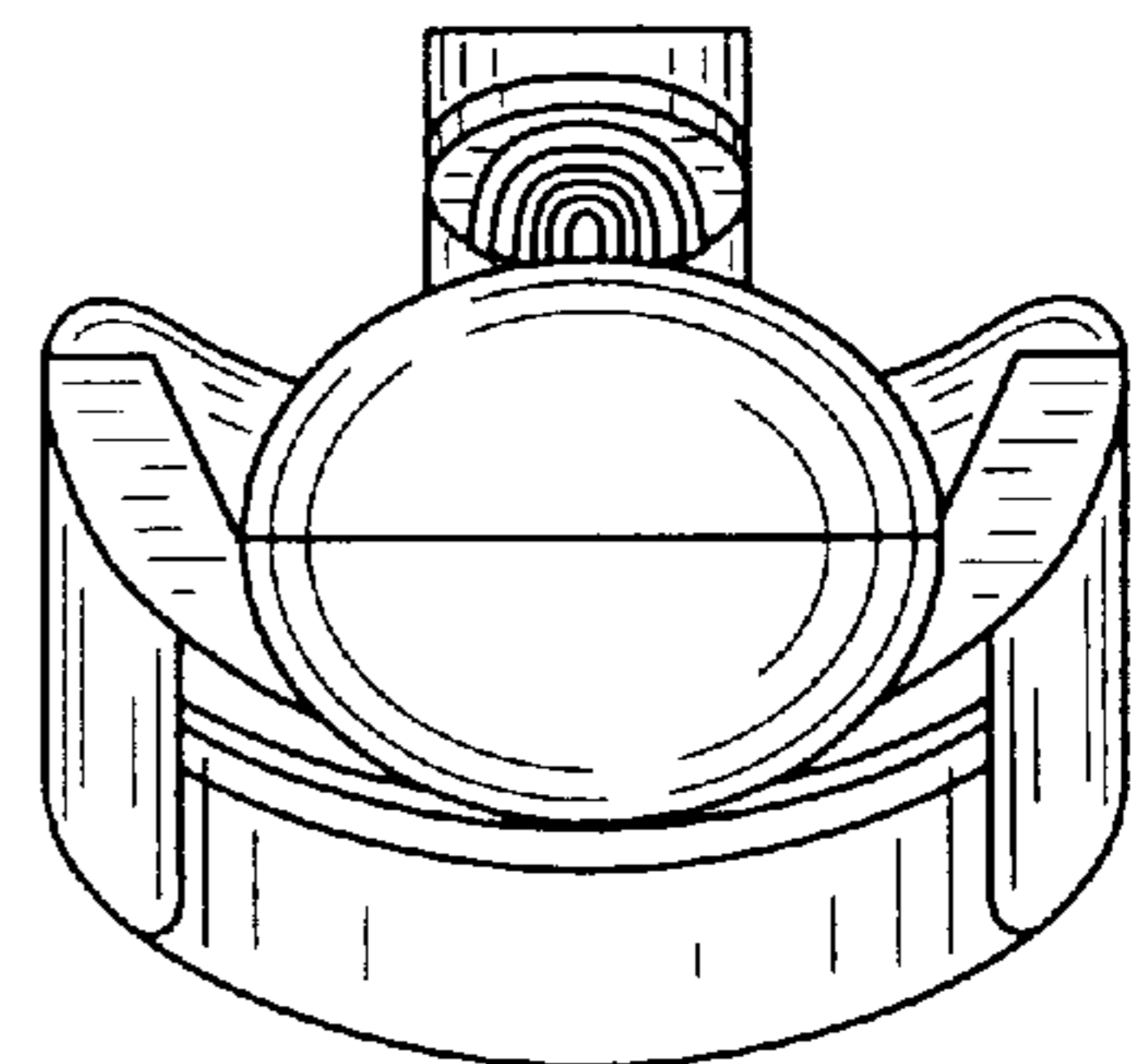


FIG. 6