



US00D429373S

United States Patent [19] Cheung

[11] Patent Number: **Des. 429,373**

[45] Date of Patent: **** Aug. 8, 2000**

[54] **HAIR DRYER**

D. 375,577 11/1996 Viemeister et al. D28/13

[75] Inventor: **Chun-Kong Cheung**, Kowloon, The Hong Kong Special Administrative Region of the People's Republic of China

Primary Examiner—Terry A. Wallace
Attorney, Agent, or Firm—Jacobson, Price, Holman & Stern, PLLC

[73] Assignee: **GEE Company Limited**, Kowloon, The Hong Kong Special Administrative Region of the People's Republic of China

[57] **CLAIM**

The ornamental design for a hair dryer, as shown and described.

[**] Term: **14 Years**

DESCRIPTION

[21] Appl. No.: **29/099,581**

FIG. 1 is a top view showing my new design for a hair dryer;

[22] Filed: **Jan. 25, 1999**

FIG. 2 is a bottom view thereof;

[51] **LOC (7) Cl.** **28-03**

FIG. 3 is a left side view thereof, the barrel attachment shown in dotted lines forming no part of the invention;

[52] **U.S. Cl.** **D28/13**

FIG. 4 is a right side view thereof;

[58] **Field of Search** D28/12, 13, 14-19;
34/96-101; 392/379-385

FIG. 5 is a front view thereof; and,

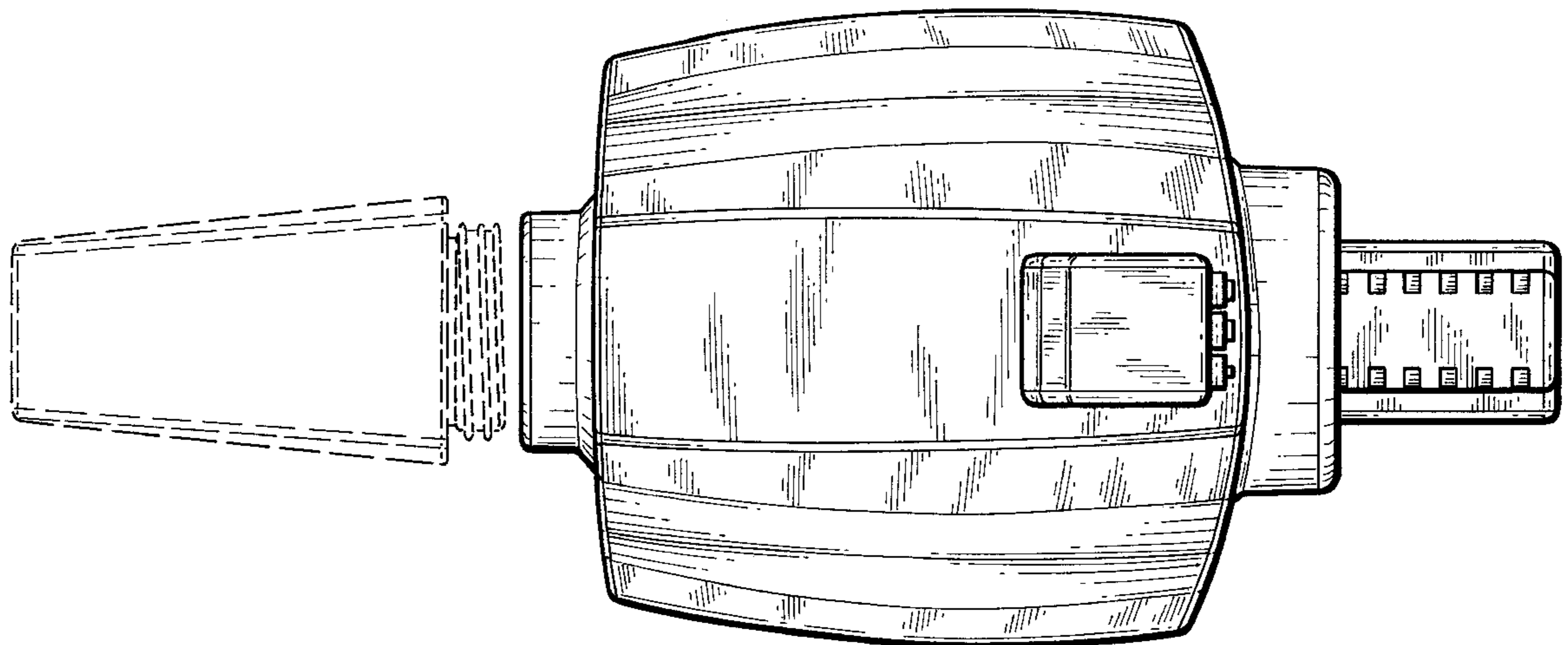
FIG. 6 is a rear view thereof.

[56] **References Cited**

U.S. PATENT DOCUMENTS

D. 345,042 3/1994 Montagnino et al. D28/13

1 Claim, 5 Drawing Sheets



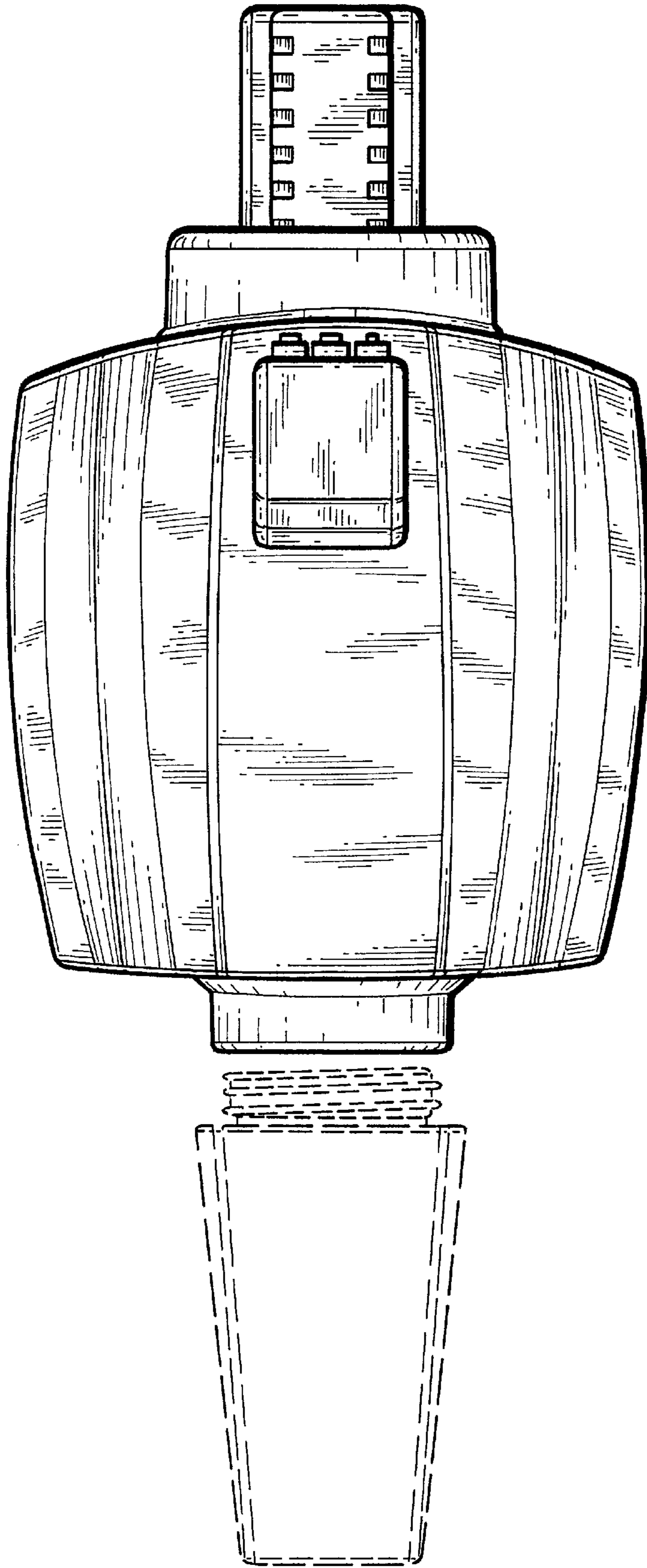


FIG. 1

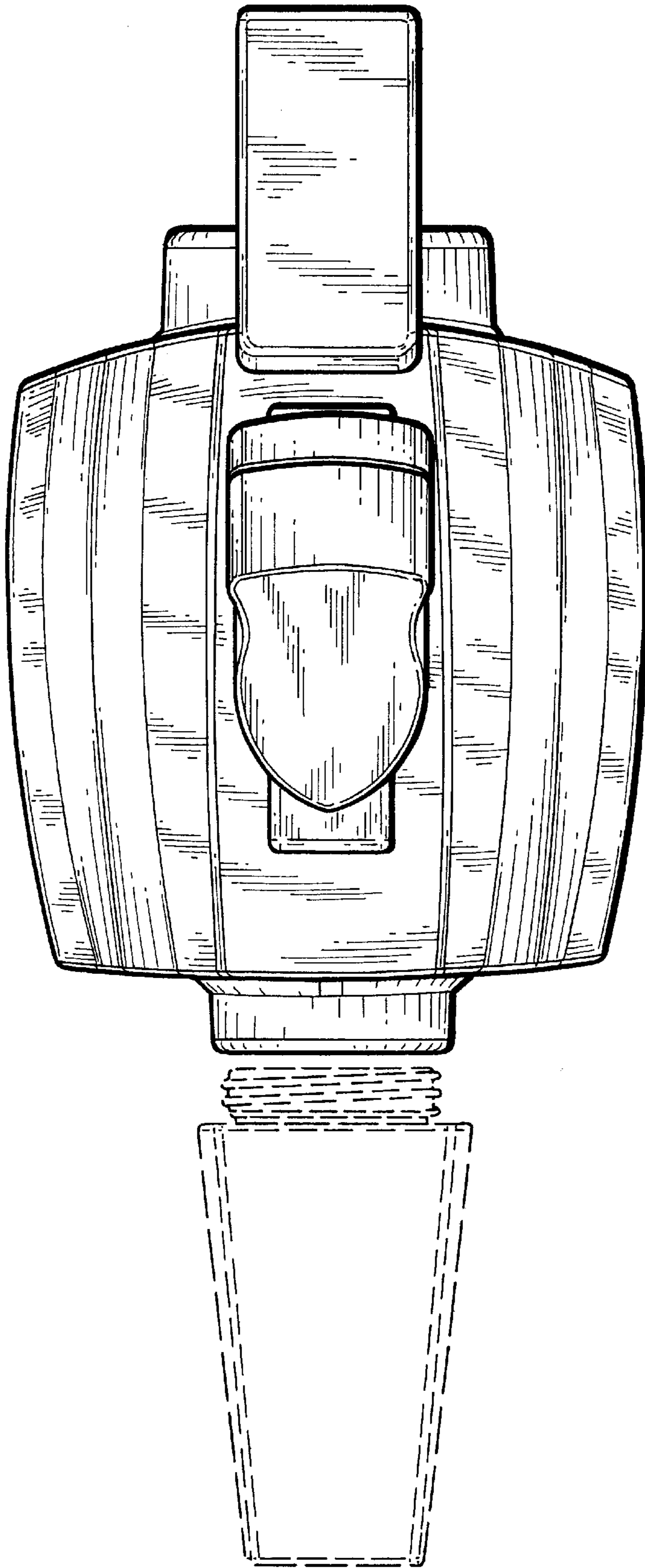


FIG. 2

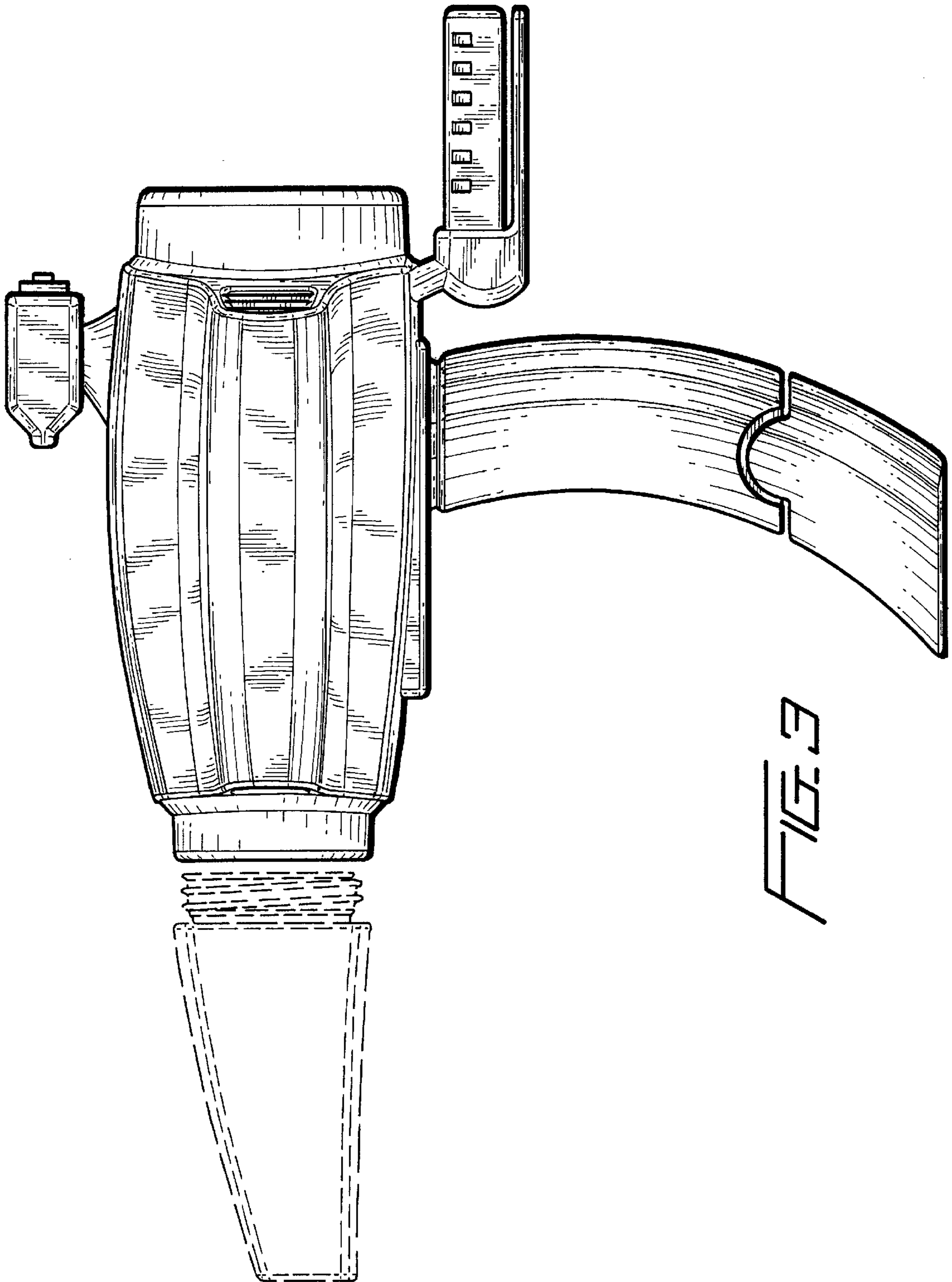
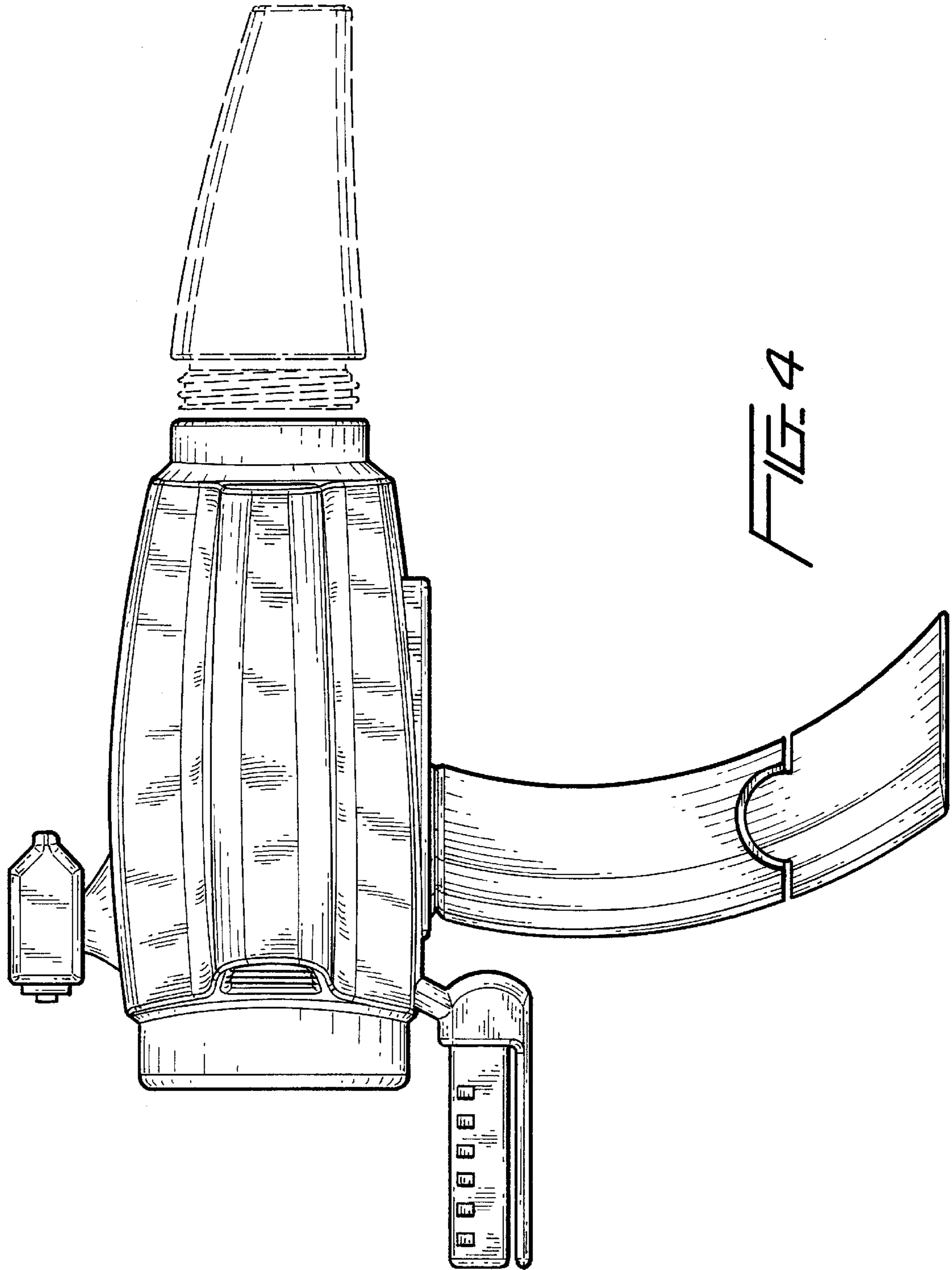


FIG. 3



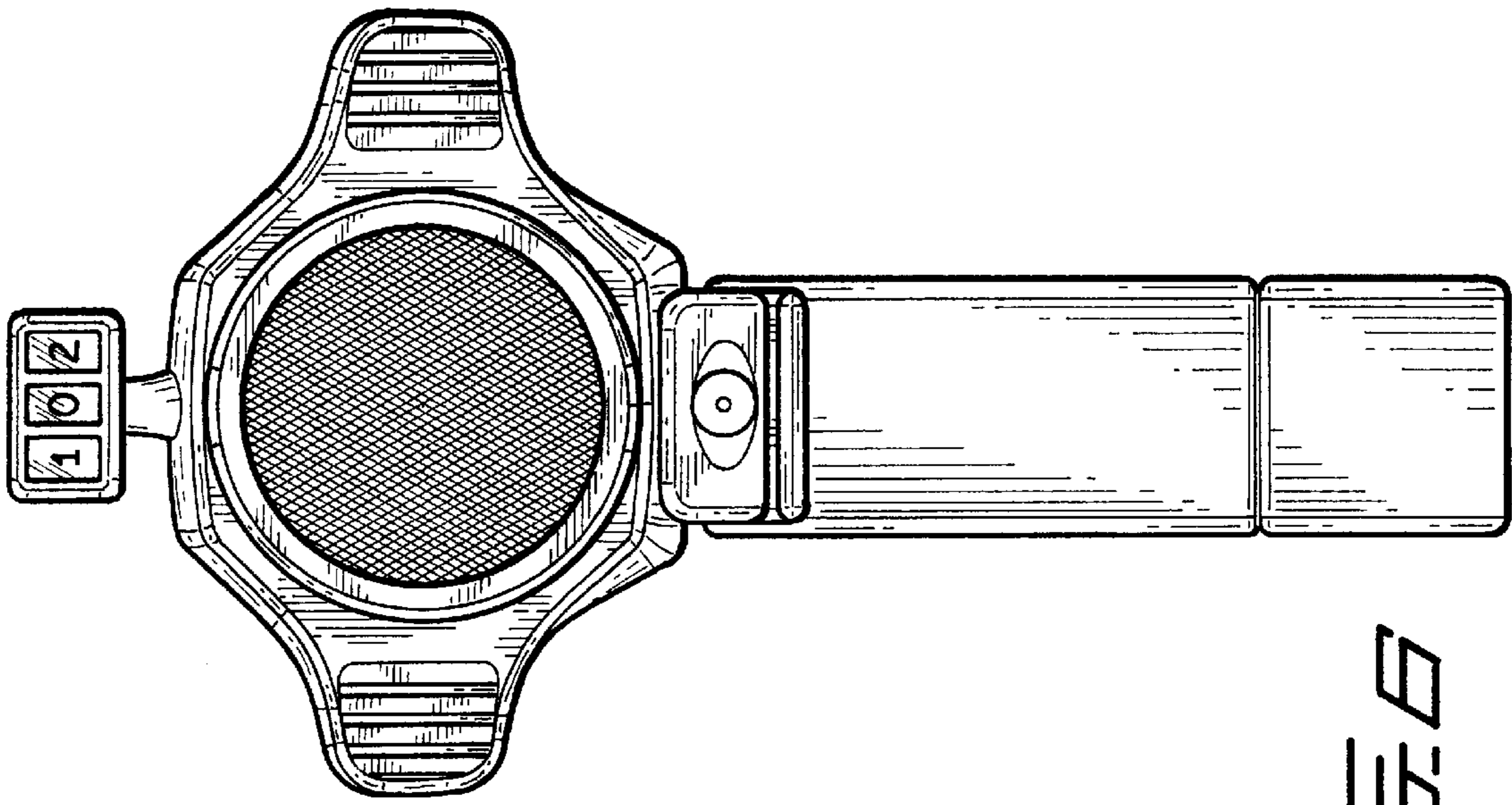


FIG. 6

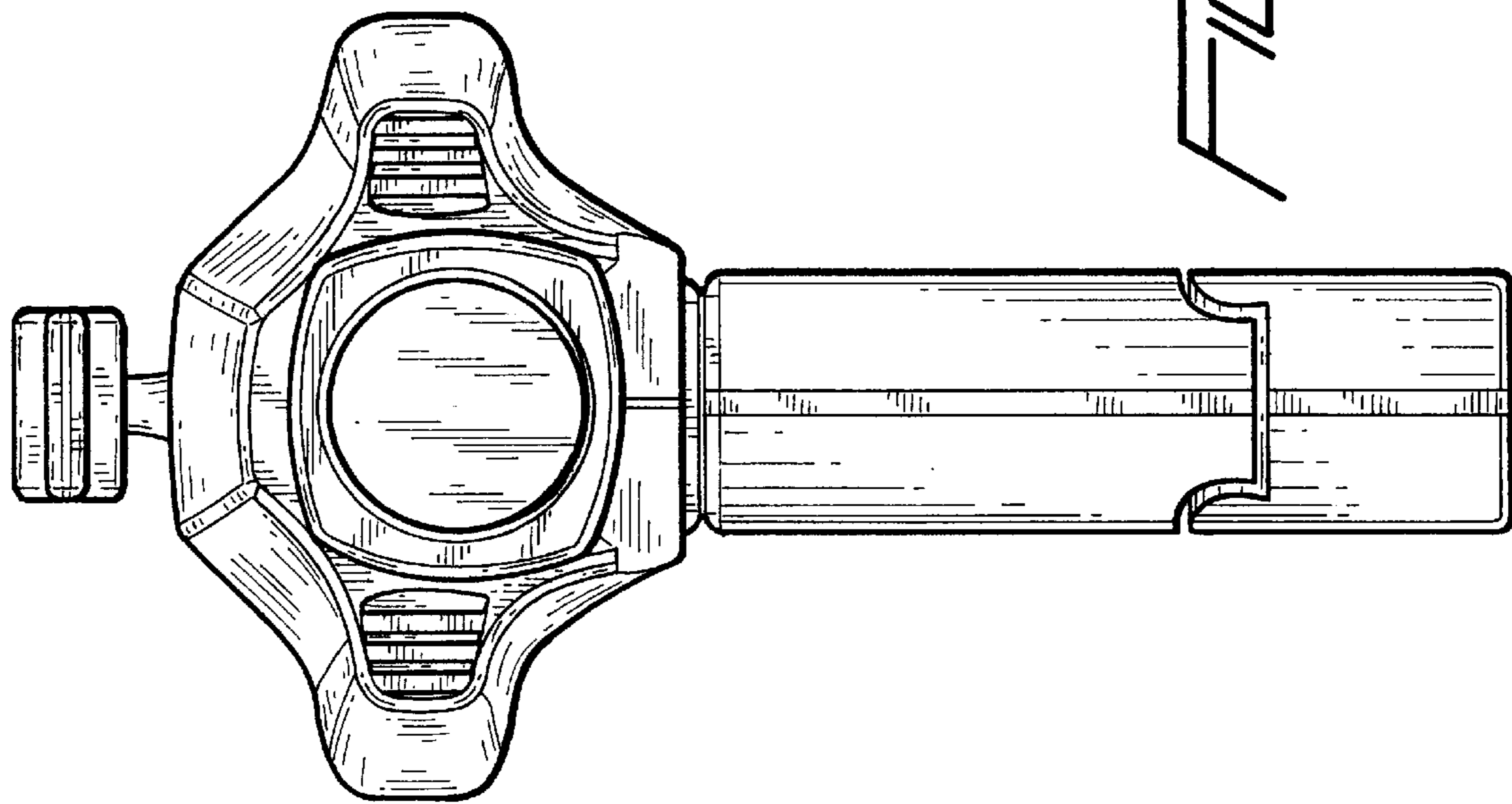


FIG. 5