



US00D429368S

United States Patent [19]
Hsieh

[11] **Patent Number: Des. 429,368**

[45] **Date of Patent: ** Aug. 8, 2000**

[54] **LAMP BASE**

[75] Inventor: **Duan-Cheng Hsieh**, Taipei, Taiwan

[73] Assignee: **Habitex Corporation**, Taipei, Taiwan

[**] Term: **14 Years**

[21] Appl. No.: **29/094,427**

[22] Filed: **Oct. 1, 1998**

[30] **Foreign Application Priority Data**

Jul. 29, 1998 [TW] Taiwan 87305558

[51] **LOC (7) Cl.** **26-99**

[52] **U.S. Cl.** **D26/142; D6/424; D6/433; D26/62**

[58] **Field of Search** D26/93, 102-112, D26/58, 61, 62; 362/410-414; D6/476, 433, 455, 396, 397, 399; D7/82; 312/297, 183

[56] **References Cited**

U.S. PATENT DOCUMENTS

D. 156,062 11/1949 Ward D6/433
D. 214,082 5/1969 Daito D26/106

D. 243,711 3/1977 Haft D26/109
D. 286,126 10/1986 Driscoll D7/82
D. 367,776 3/1996 Lohroff D6/396

Primary Examiner—Susan J. Lucas
Attorney, Agent, or Firm—Morgan & Finnegan, LLP

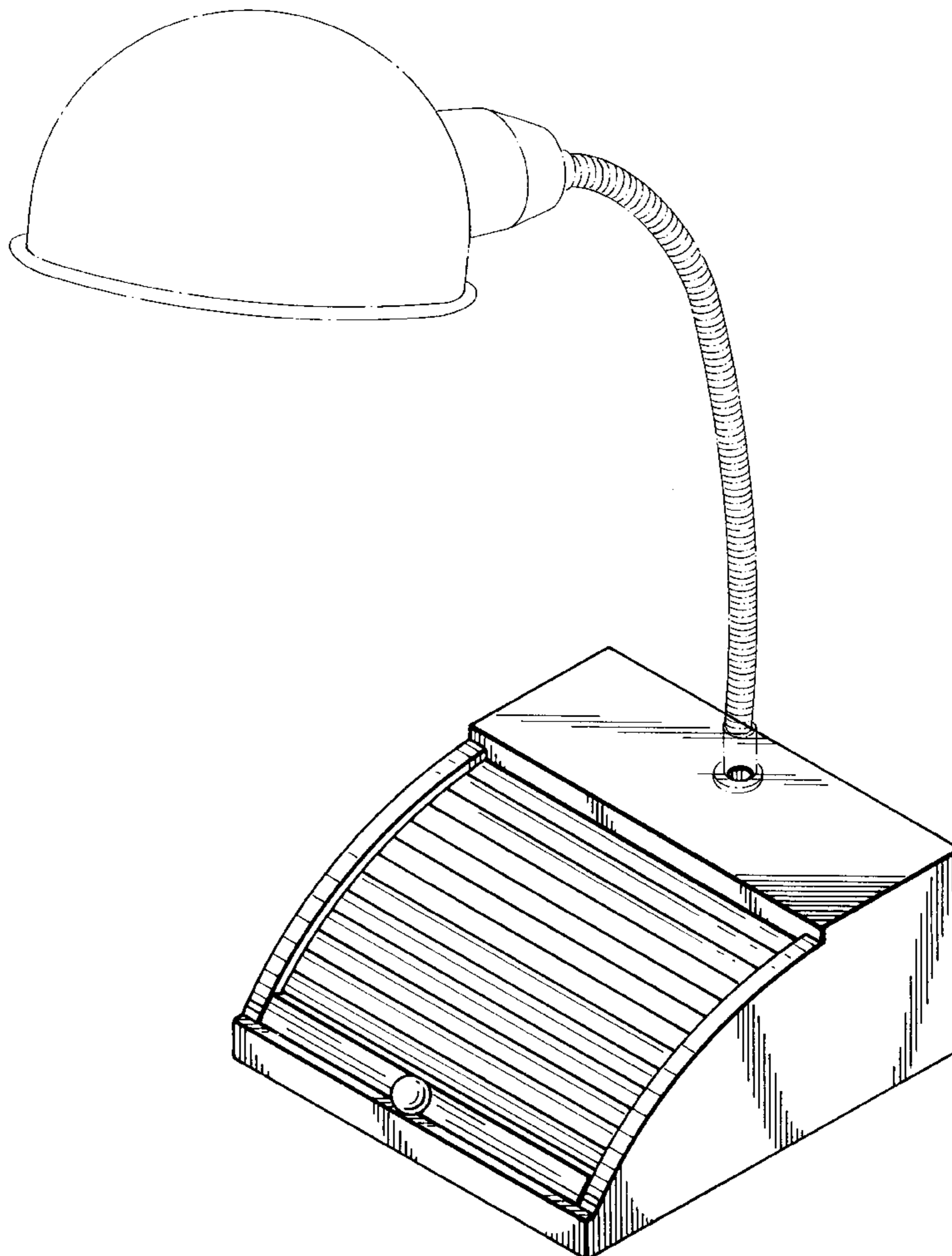
[57] **CLAIM**

The ornamental design for lamp base, as shown and described.

DESCRIPTION

FIG. 1 is a perspective view of lamp base showing my new design;
FIG. 2 is a front elevational view thereof;
FIG. 3 is a rear elevational view thereof;
FIG. 4 is a left side elevational view thereof;
FIG. 5 is a right side elevational view thereof;
FIG. 6 is a top plan view thereof;
FIG. 7 is a bottom plan view thereof;
FIG. 8 is a perspective view of the lamp base in an open condition; and,
FIG. 9 is a perspective view of the lamp base in a closed condition, the broken lines being shown for illustrative purposes only and forming no part of the claimed design.

1 Claim, 6 Drawing Sheets



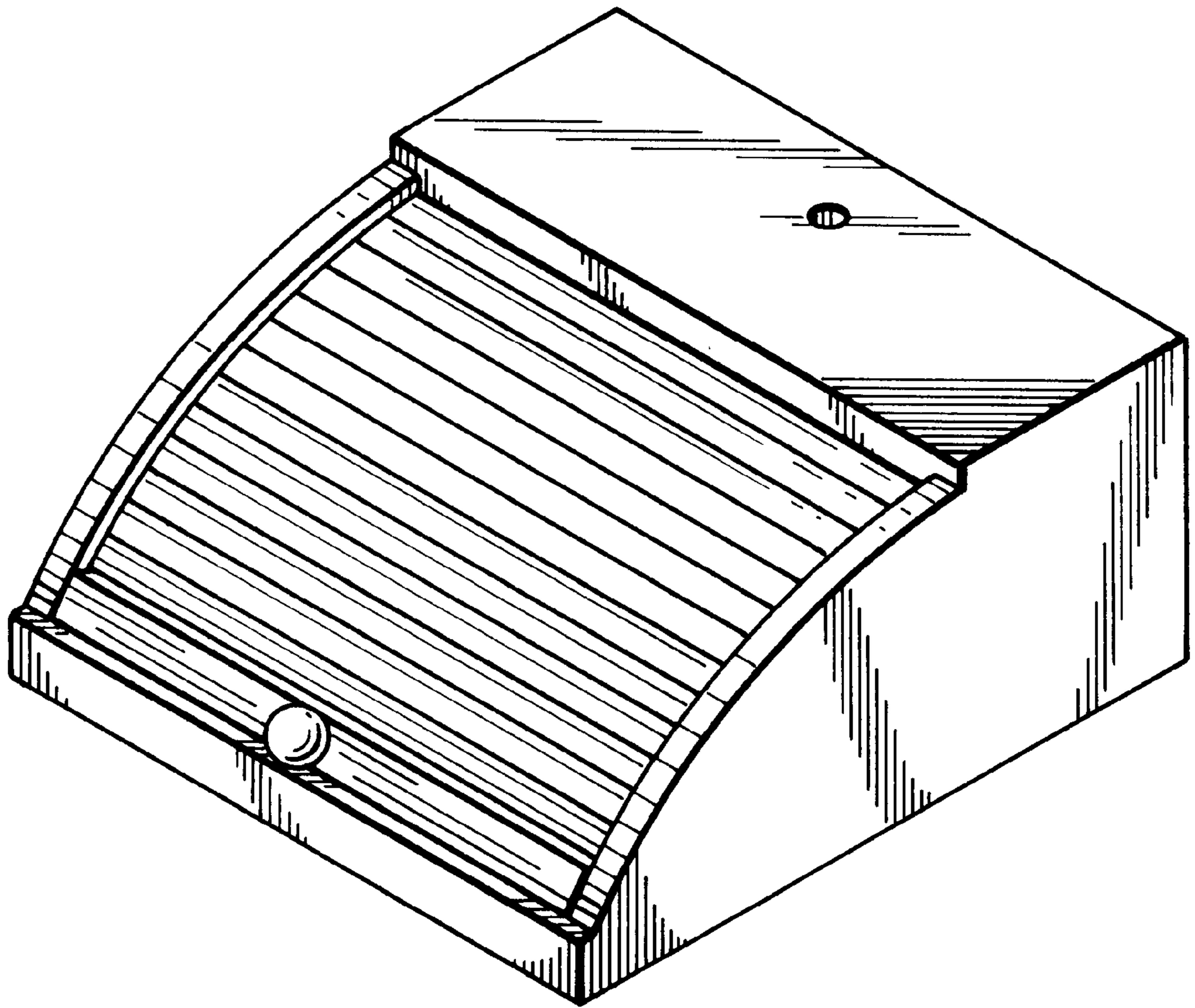


FIG. 1

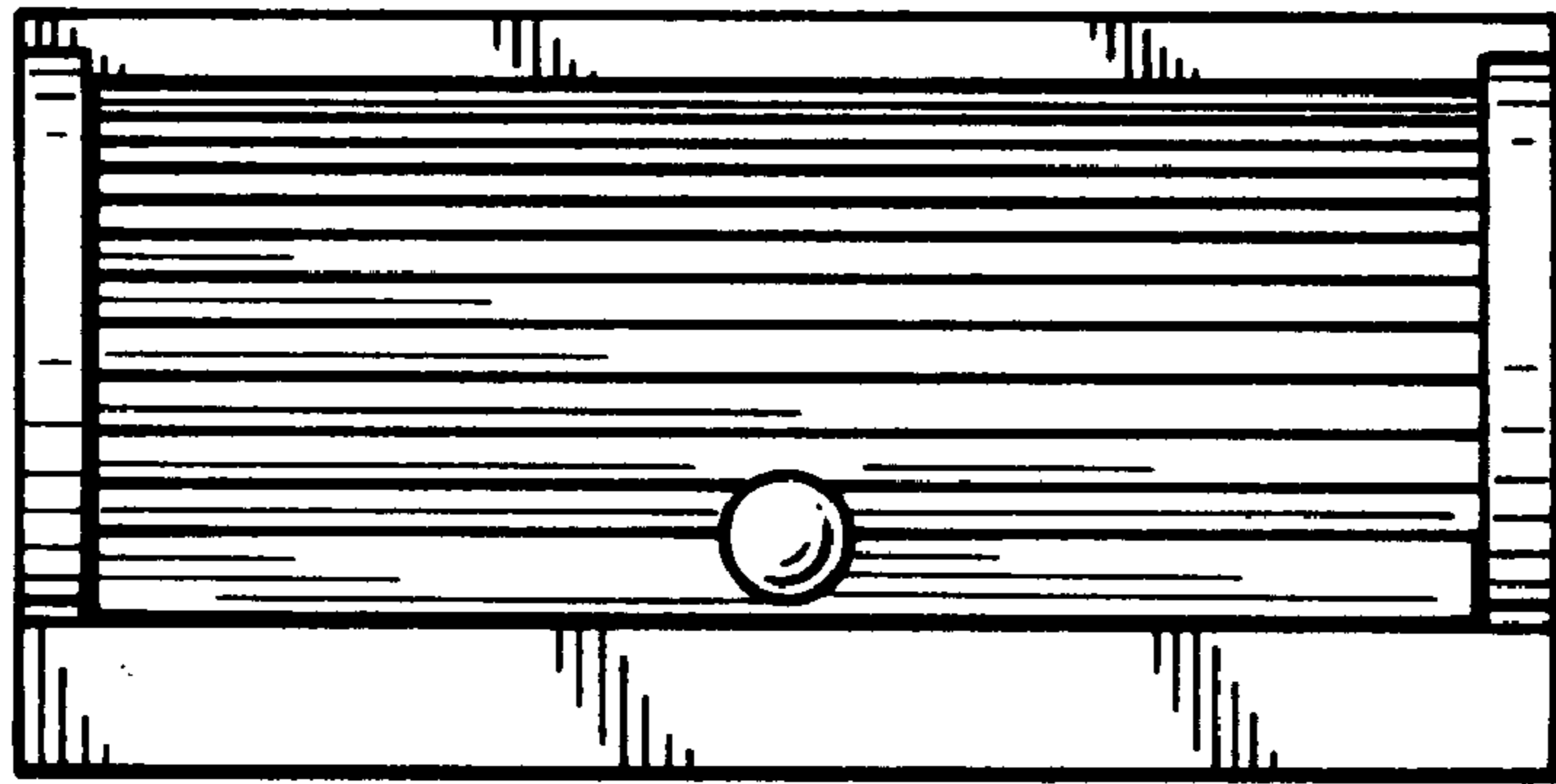


FIG. 2

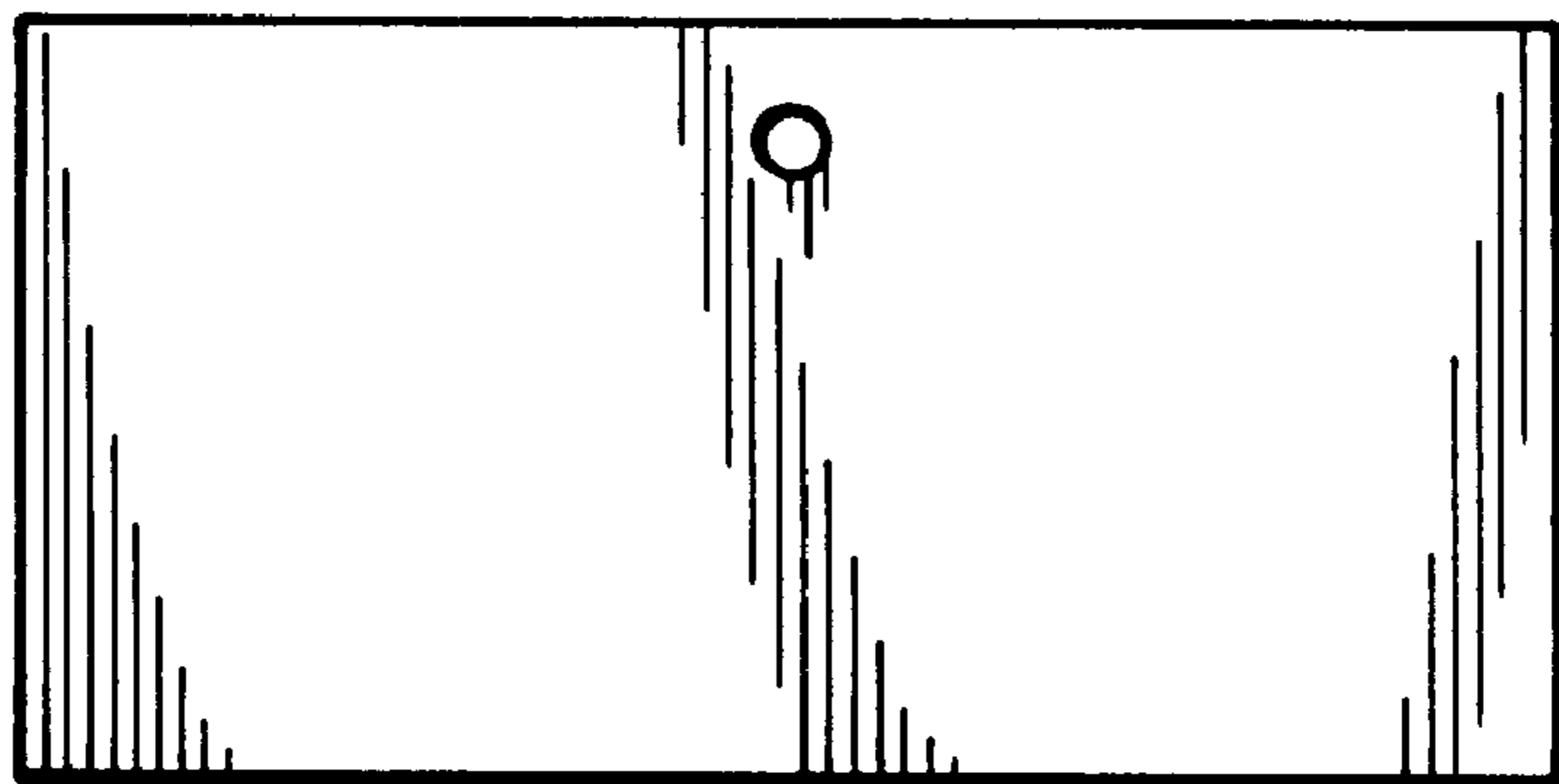


FIG. 3

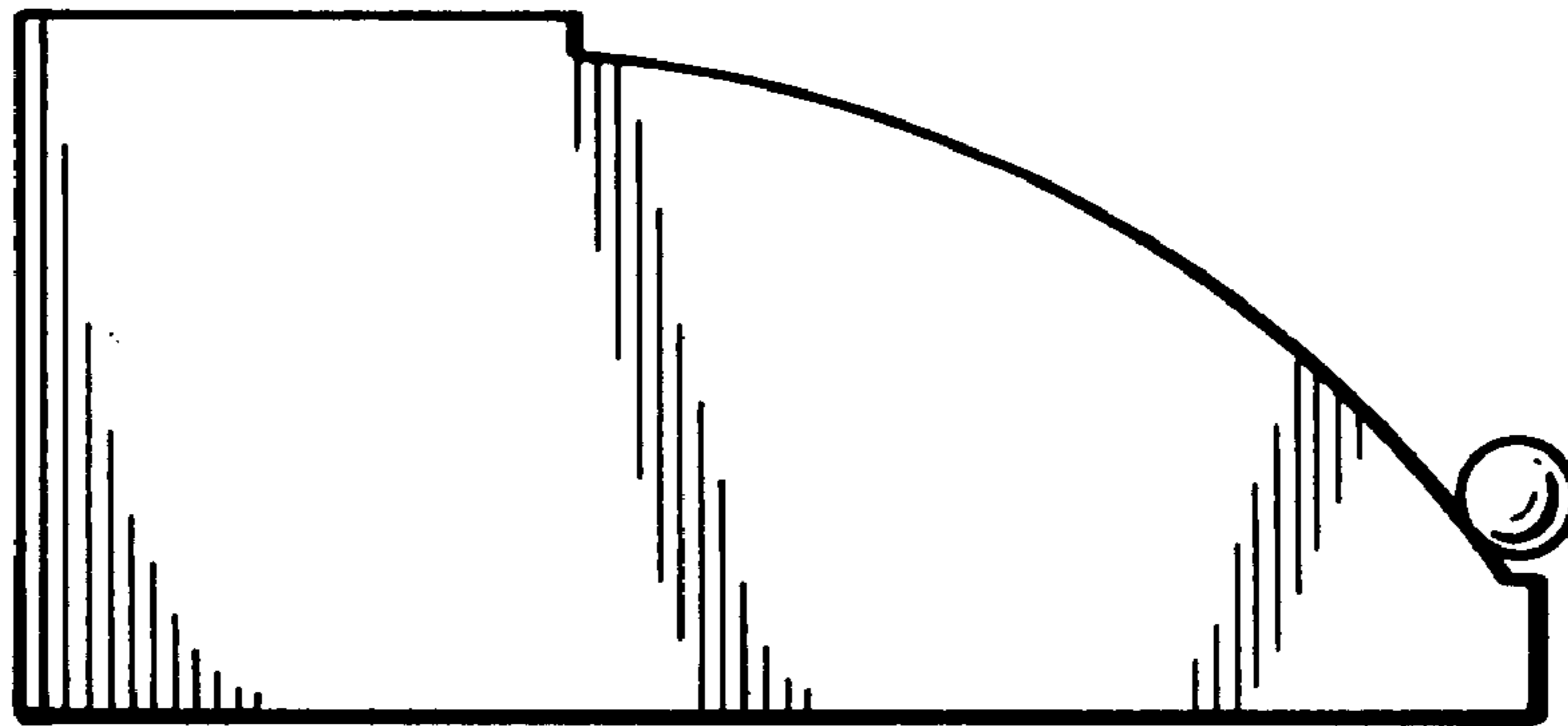


FIG. 4

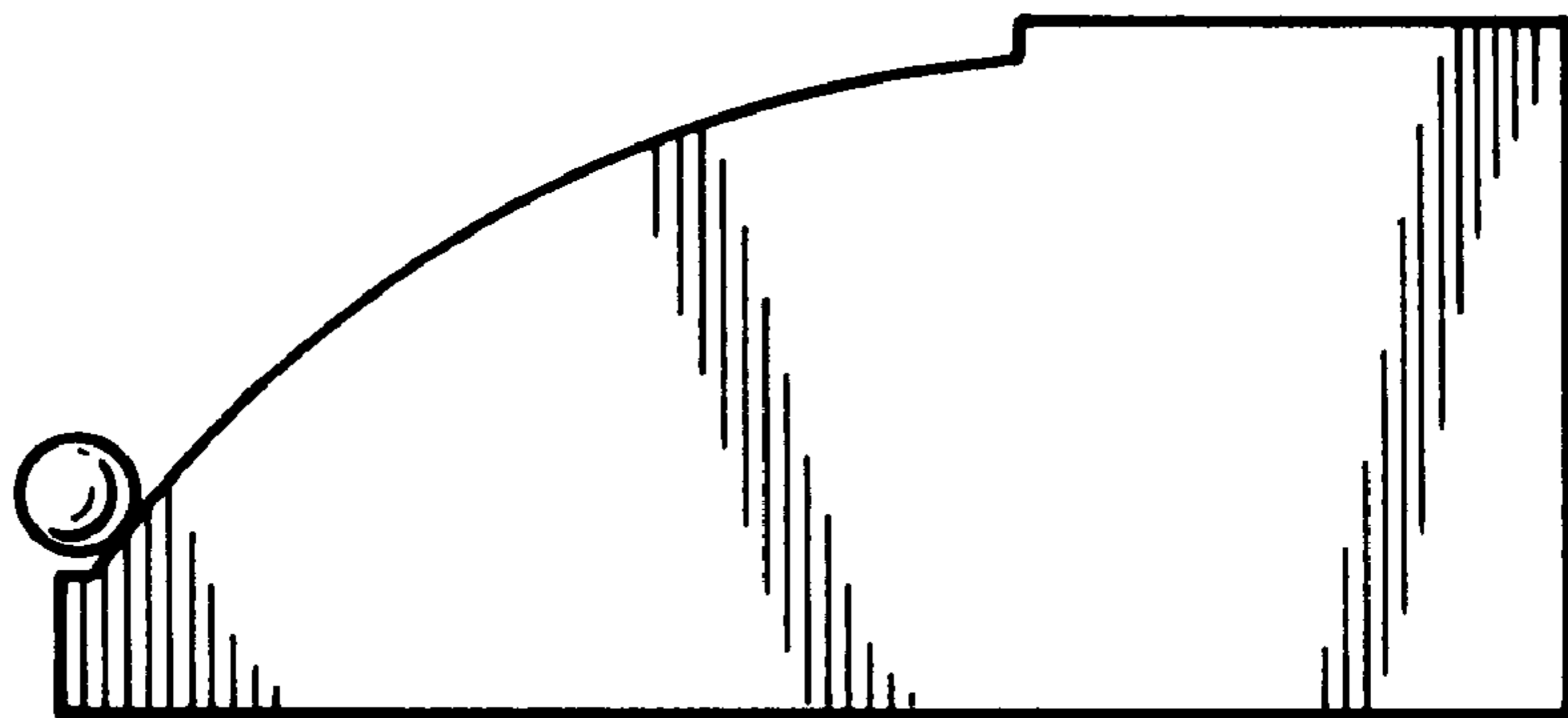


FIG. 5

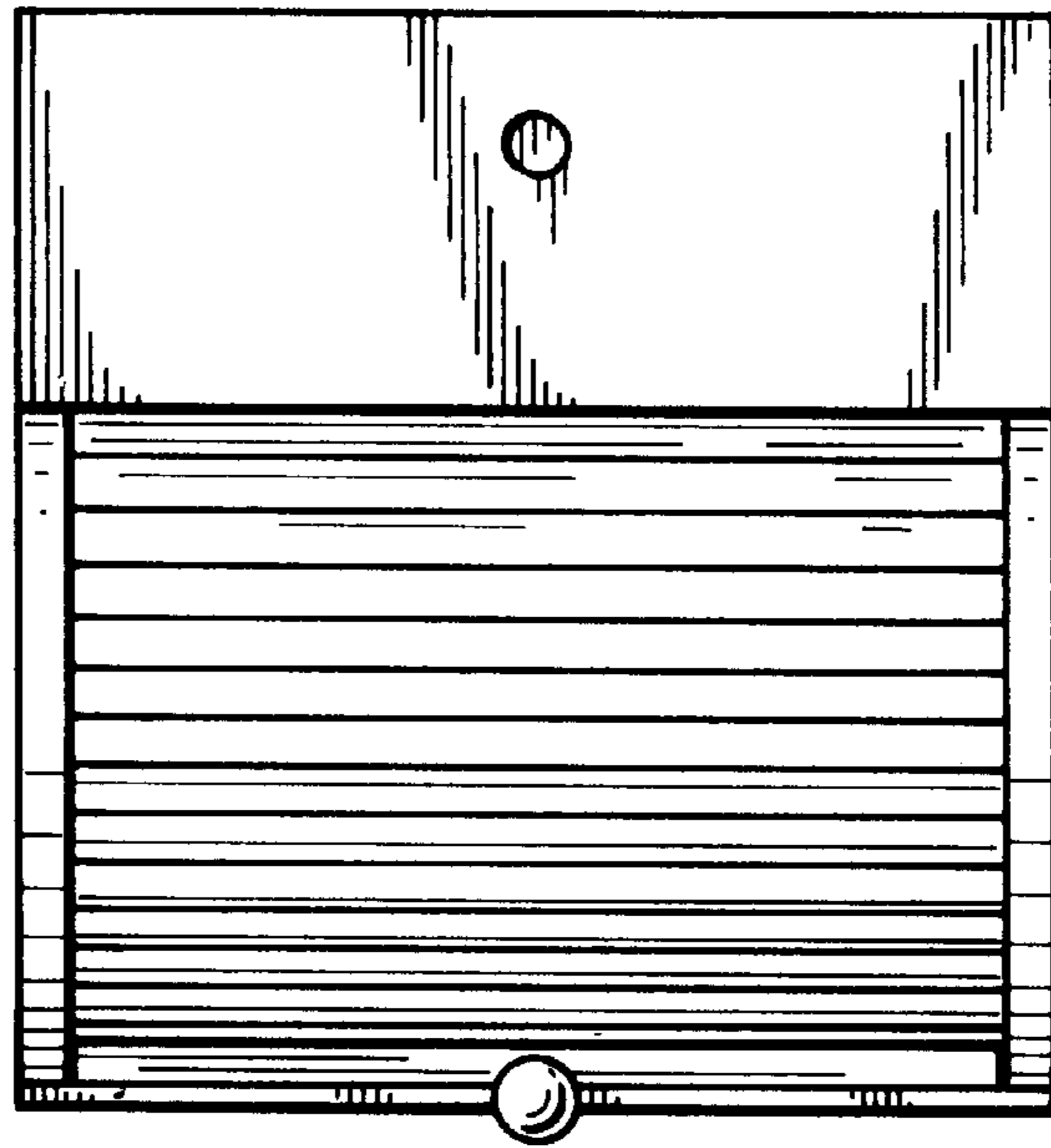


FIG. 6

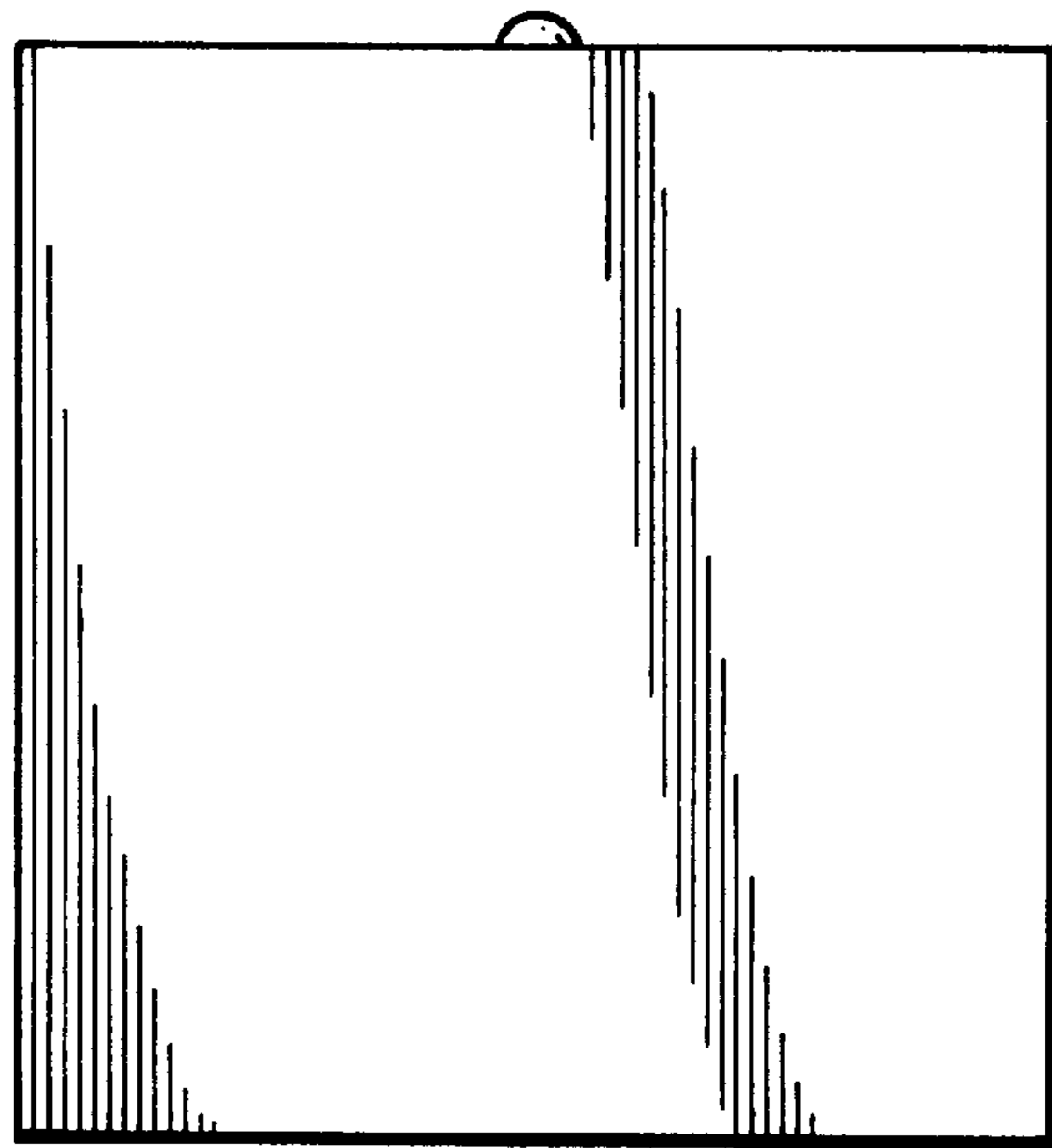


FIG. 7

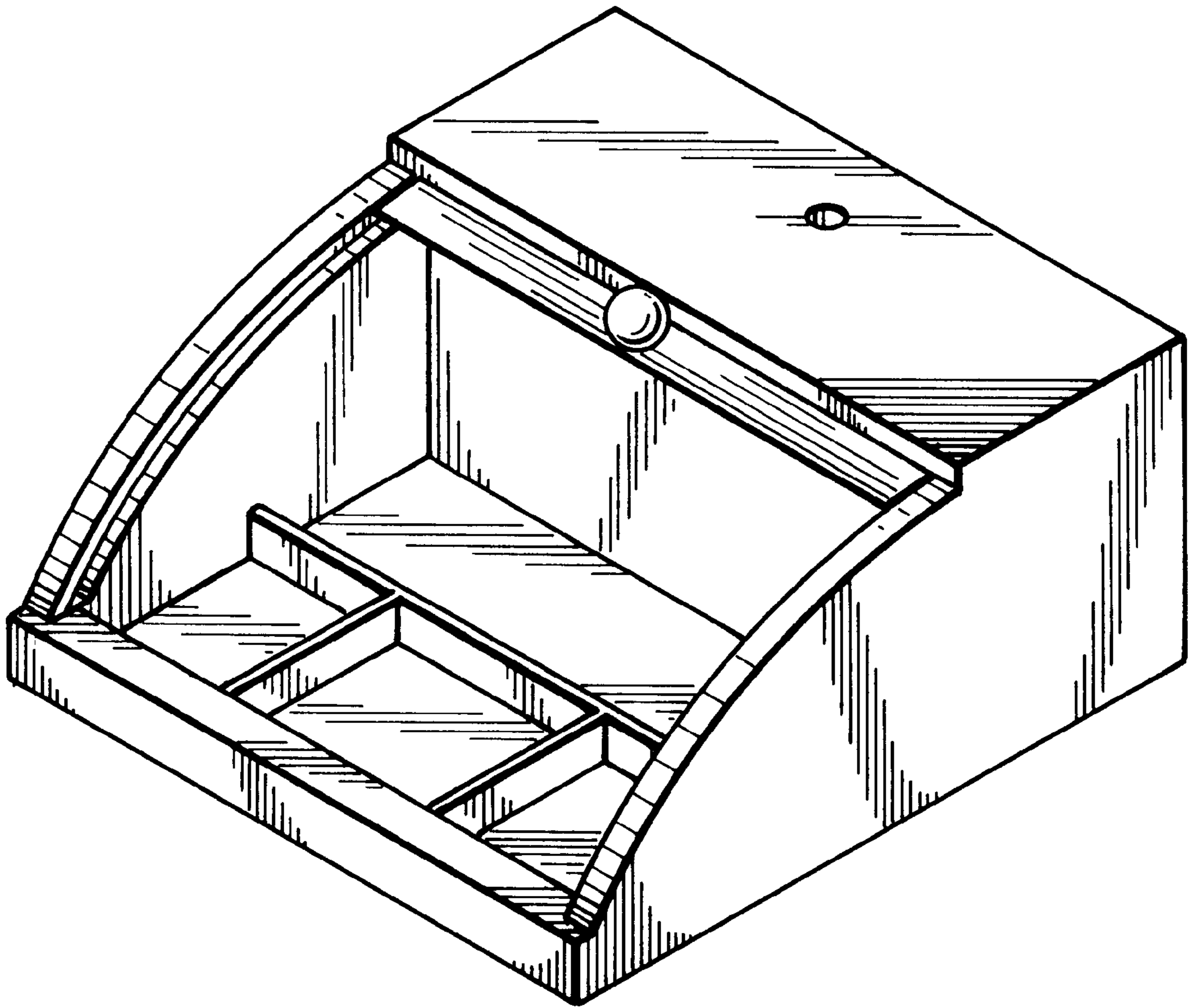


FIG. 8

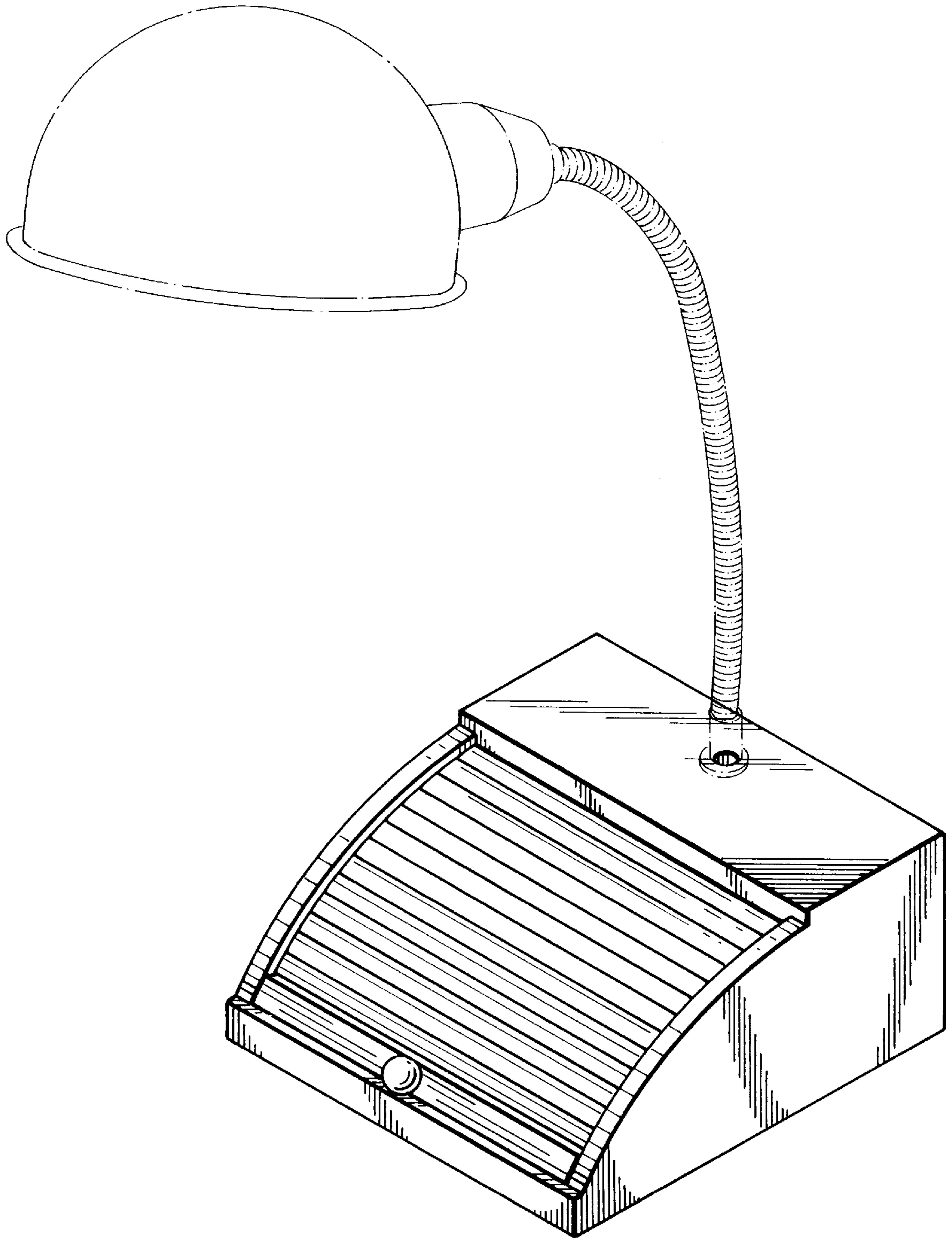


FIG. 9