



US00D429366S

United States Patent [19]
Lin

[11] **Patent Number: Des. 429,366**

[45] **Date of Patent: ** Aug. 8, 2000**

[54] **DECORATIVE LAMP**

[76] Inventor: **Wen-Yung Lin**, 8F-1, No. 37, Lane
187, Sec. 1, Tun-Hua R. Road, Taipei,
Taiwan

[**] Term: **14 Years**

[21] Appl. No.: **29/109,929**

[22] Filed: **Aug. 26, 1999**

[51] **LOC (7) Cl.** **26-01**

[52] **U.S. Cl.** **D26/94; D11/121; D11/125;**
D11/128

[58] **Field of Search** D11/121, 125,
D11/128, 157, 160; D26/94, 99; 362/124,
279; 428/7-9

[56] **References Cited**

U.S. PATENT DOCUMENTS

- D. 83,739 3/1931 Meissner D26/99
- D. 91,460 2/1934 Guild D26/99
- D. 333,281 2/1993 Mankey D11/121

- D. 339,764 9/1993 Reed et al. D11/128
- D. 391,663 3/1998 Serro-Vives D11/160
- D. 415,063 10/1999 Wims et al. D11/121
- D. 418,935 1/2000 Gilbert et al. D11/121 X
- D. 419,910 2/2000 Shaw D11/128
- 3,775,604 11/1973 Pambello 362/124

Primary Examiner—Dominic Simone
Attorney, Agent, or Firm—Rosenberg, Klein & Lee

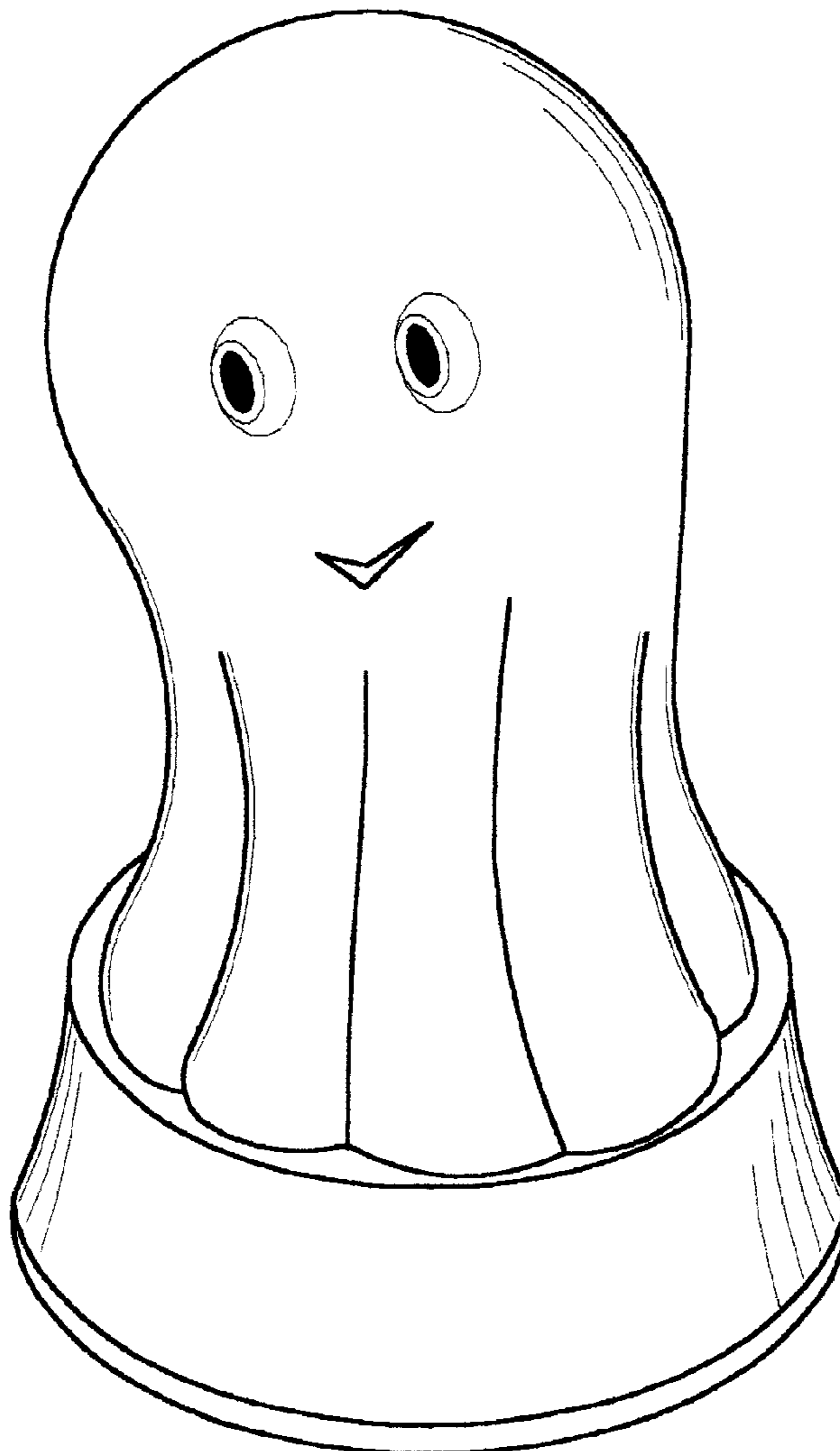
[57] **CLAIM**

The ornamental design for a decorative lamp, as shown.

DESCRIPTION

FIG. 1 is a perspective view of a decorative lamp embodying our design;
FIG. 2 is a front elevational view thereof;
FIG. 3 is a rear elevational view thereof;
FIG. 4 is a left elevational view thereof;
FIG. 5 is a right elevational view thereof;
FIG. 6 is a top elevational view thereof; and,
FIG. 7 is a bottom elevational view thereof.

1 Claim, 7 Drawing Sheets



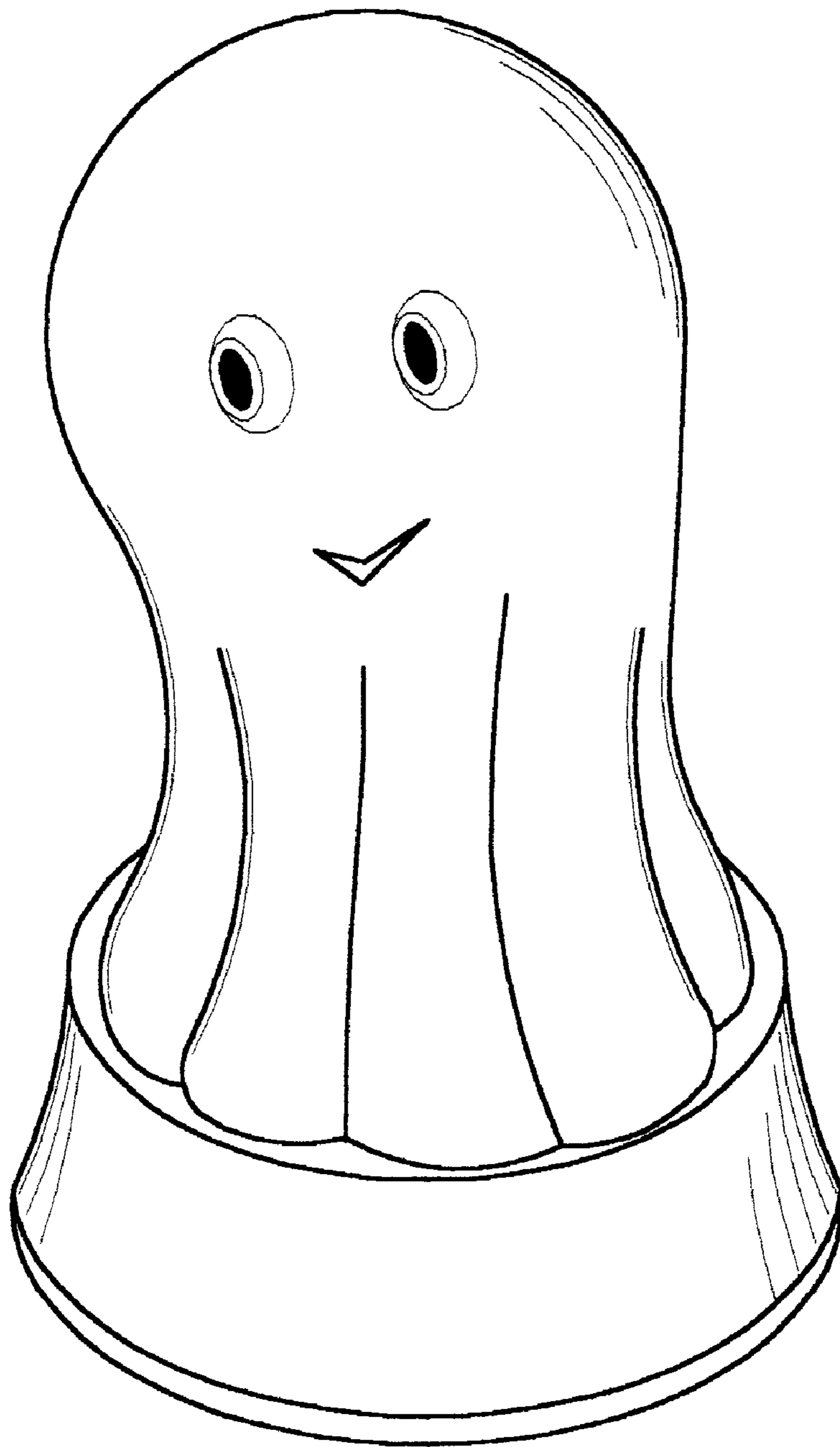


FIG. 1

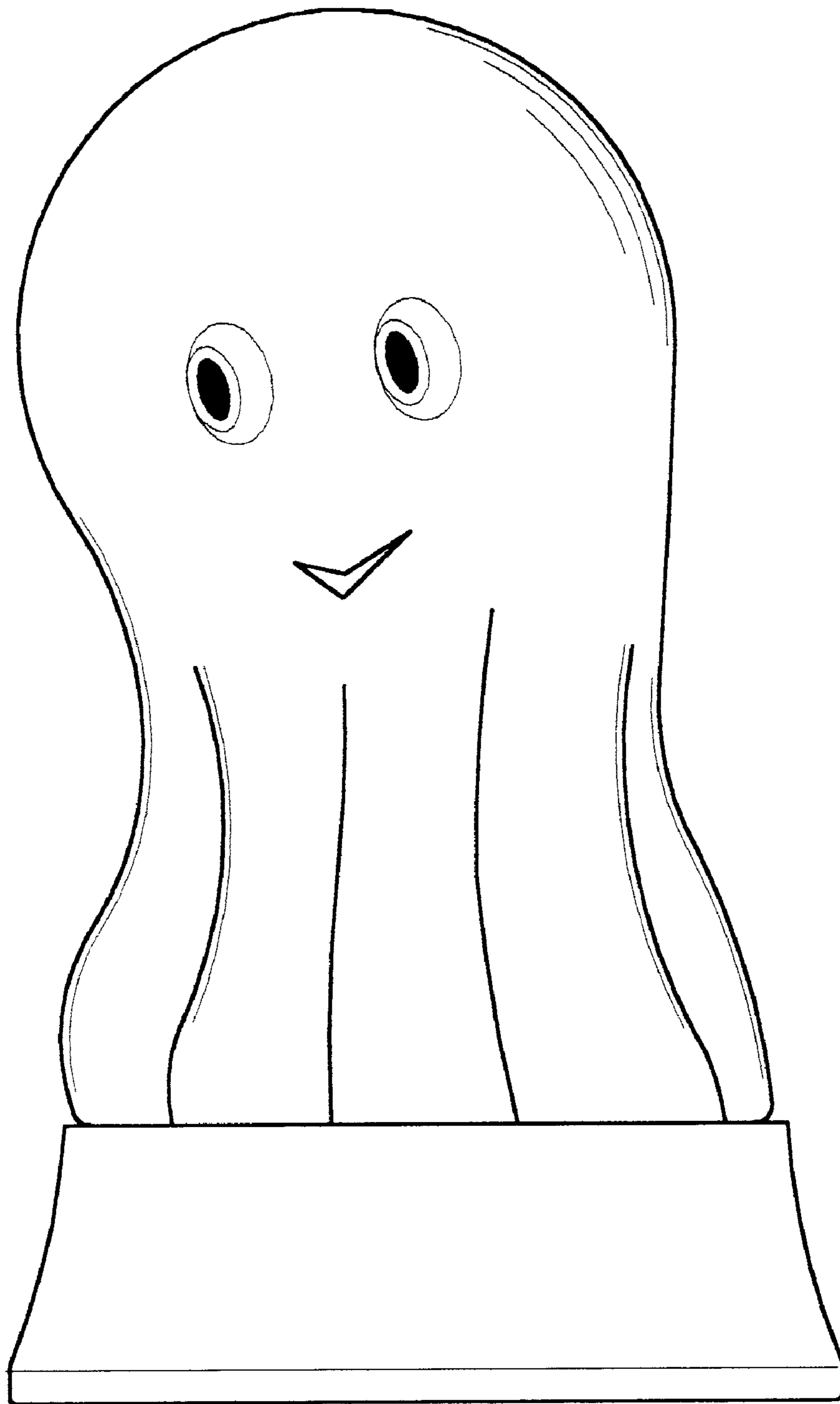


FIG.2

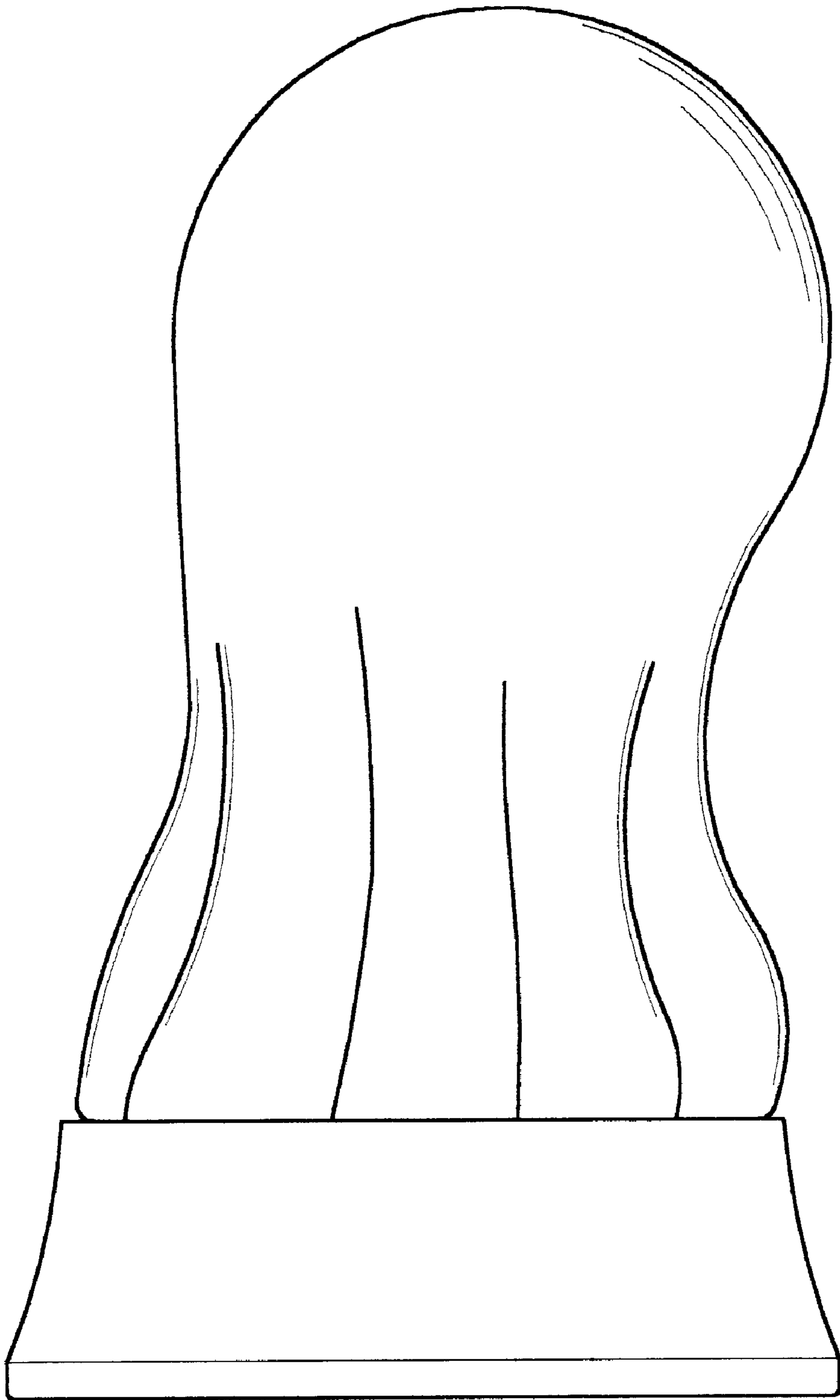


FIG.3

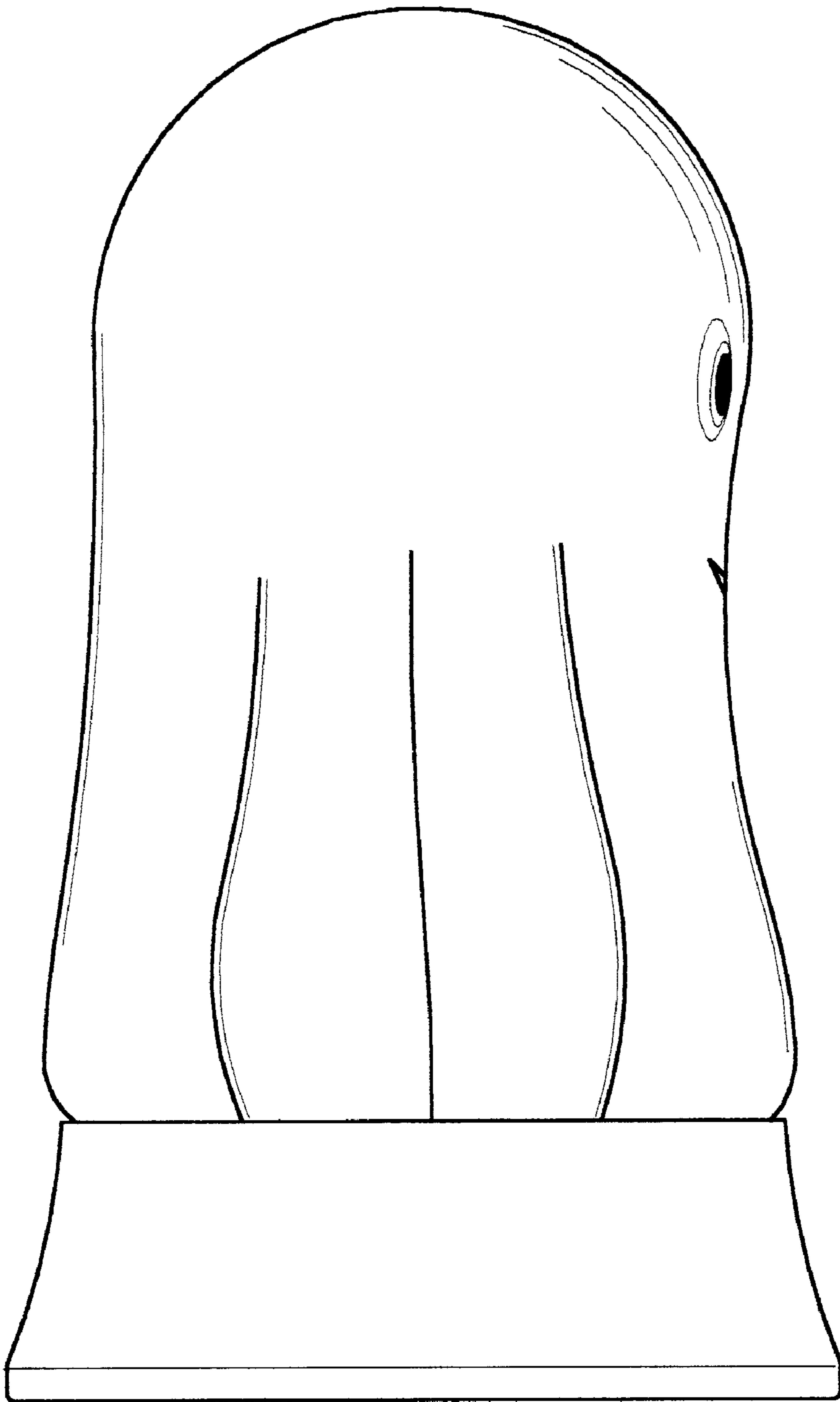


FIG.4

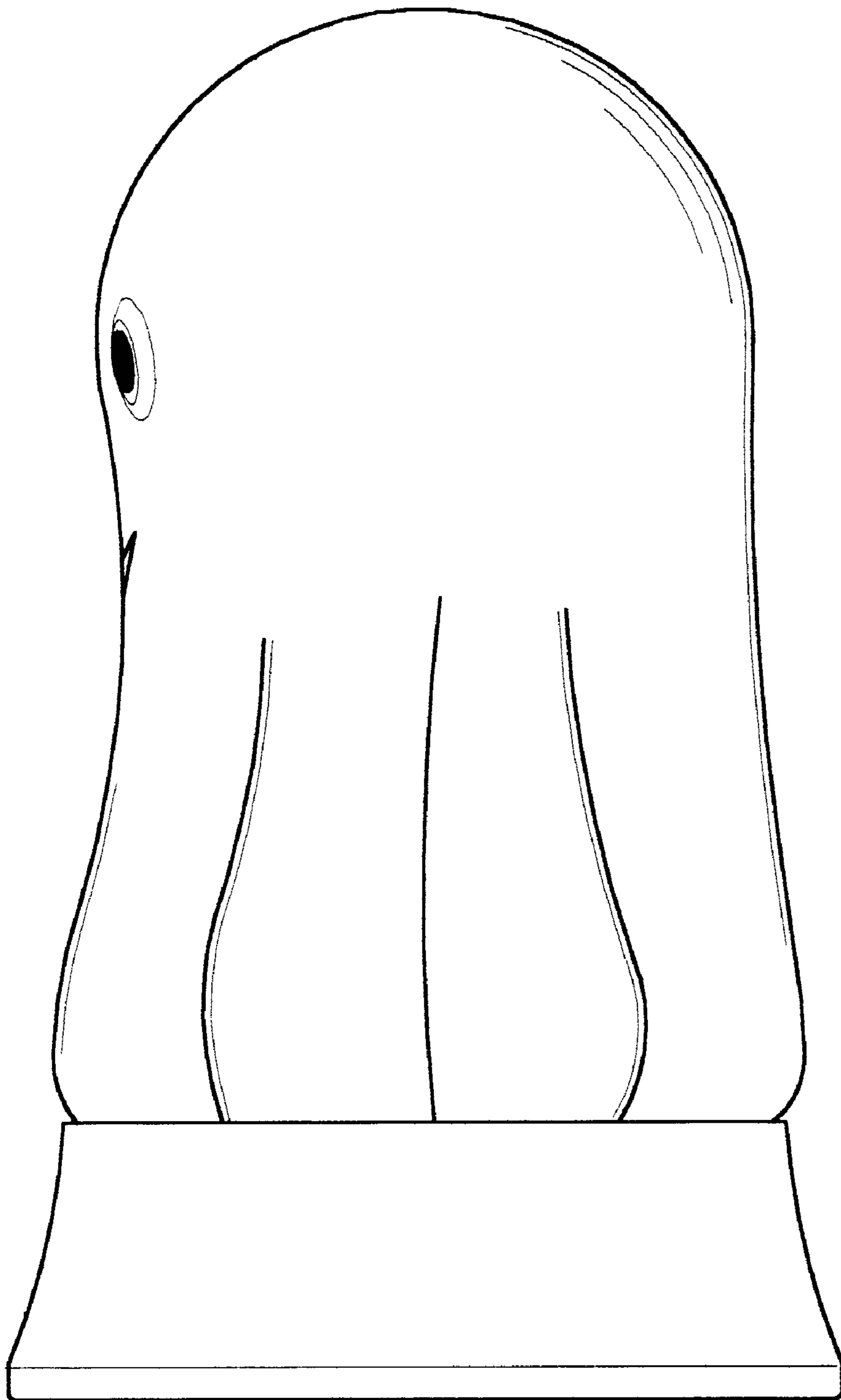


FIG.5

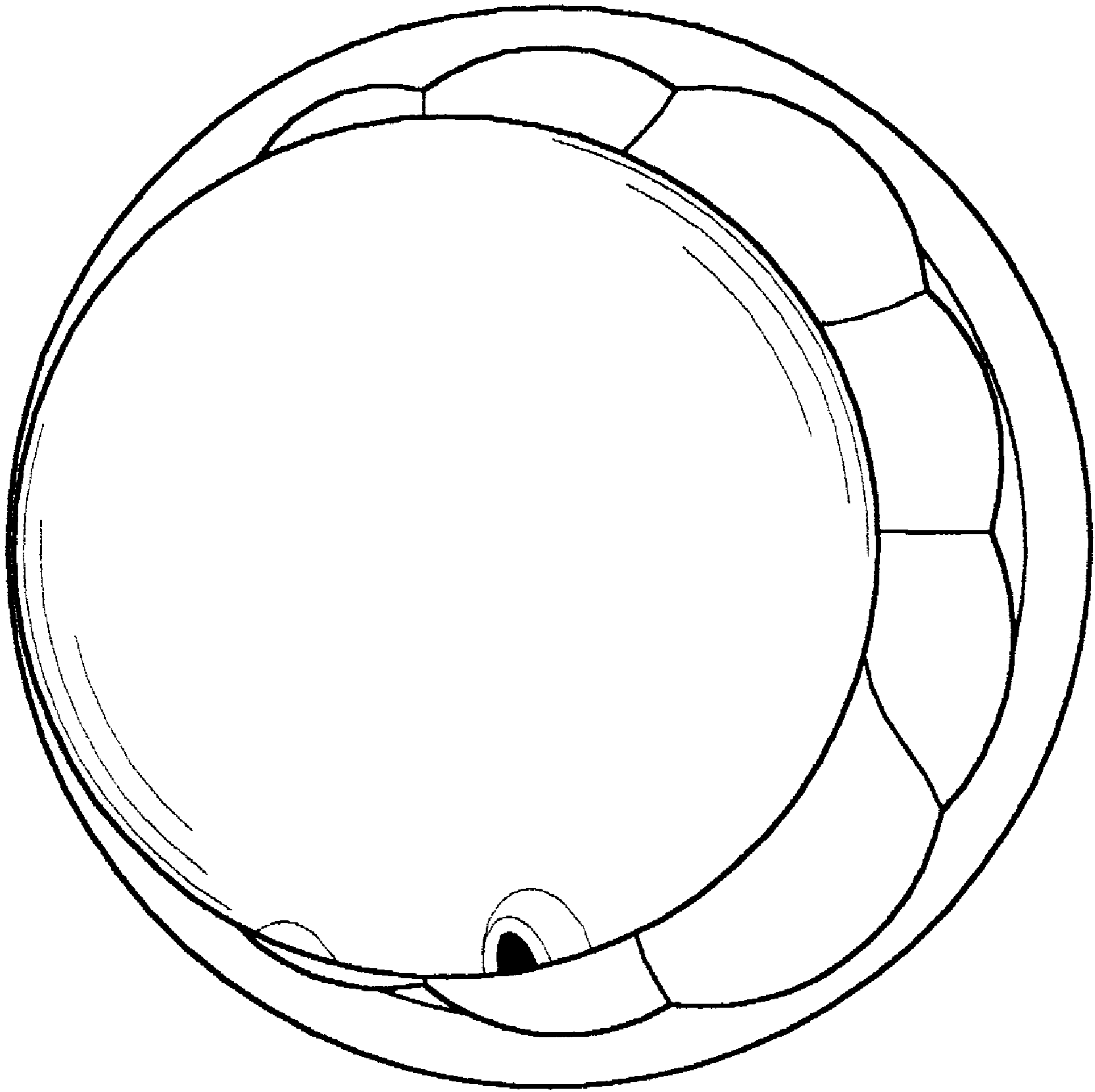


FIG. 6

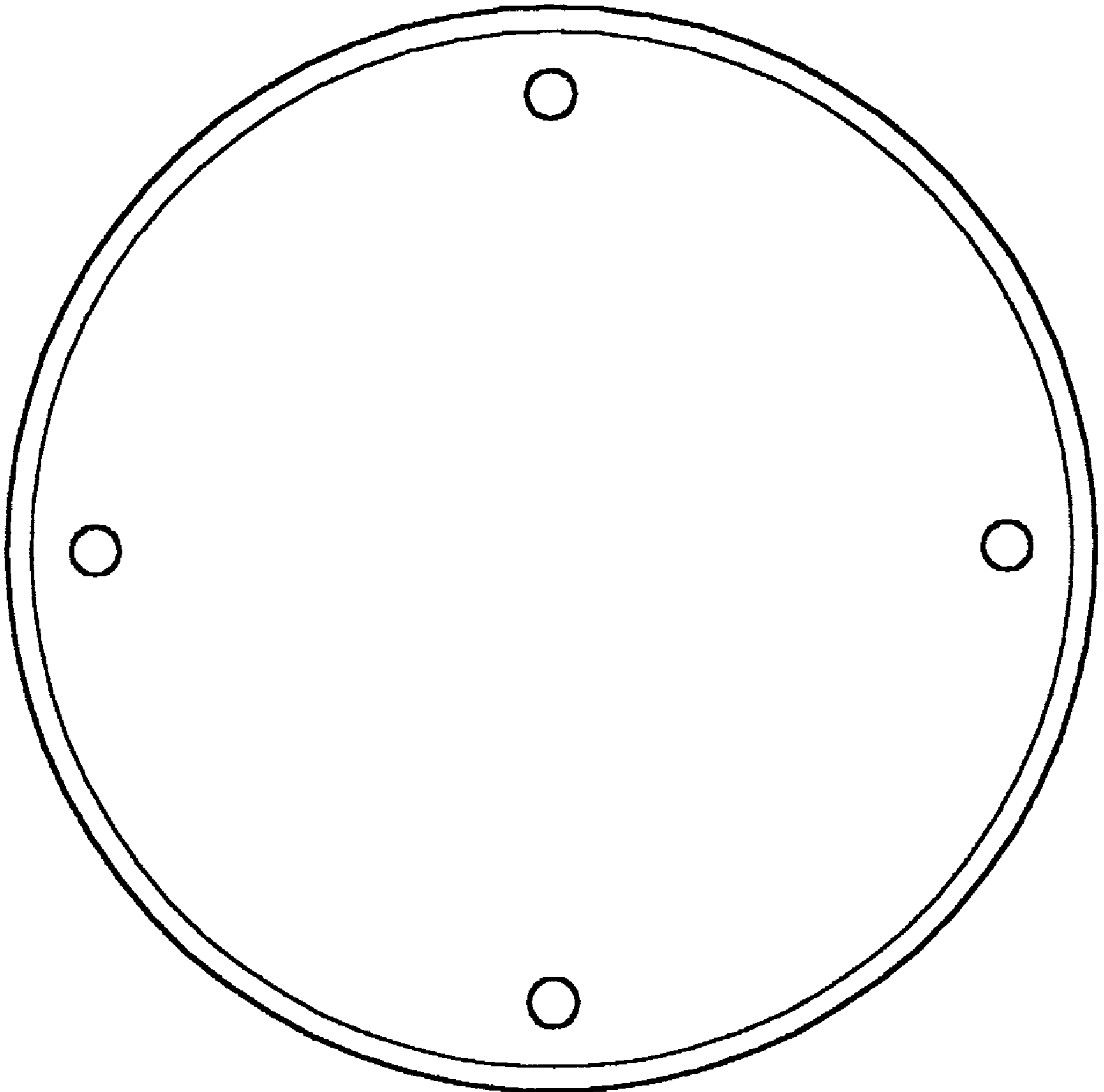


FIG. 7