



US00D429363S

United States Patent [19]
Hsieh

[11] **Patent Number: Des. 429,363**

[45] **Date of Patent: ** Aug. 8, 2000**

[54] **WALL LAMP**

Attorney, Agent, or Firm—Rosenberg, Klein & Lee

[75] Inventor: **Freda Hsieh**, Taichung, Taiwan

[57] **CLAIM**

[73] Assignee: **Whole Bright Industries Limited**,
Chai Wan, The Hong Kong Special
Administrative Region of the People's
Republic of China

The ornamental design for a wall lamp, as shown and
described.

[**] Term: **14 Years**

DESCRIPTION

[21] Appl. No.: **29/115,902**

FIG. 1 is a perspective view of wall lamp showing my new
design;

[22] Filed: **Dec. 23, 1999**

FIG. 2 is a front elevation view thereof;

[51] **LOC (7) Cl.** **26-05**

[52] **U.S. Cl.** **D26/87**

FIG. 3 is a rear elevation view thereof;

[58] **Field of Search** D26/67-71, 72,
D26/85, 87, 92; 362/431, 432, 147, 153,
153.1, 157, 183, 367, 363

FIG. 4 is a left side elevation view thereof;

FIG. 5 is a right side elevation view thereof;

[56] **References Cited**

FIG. 6 is a top plan view thereof; and,

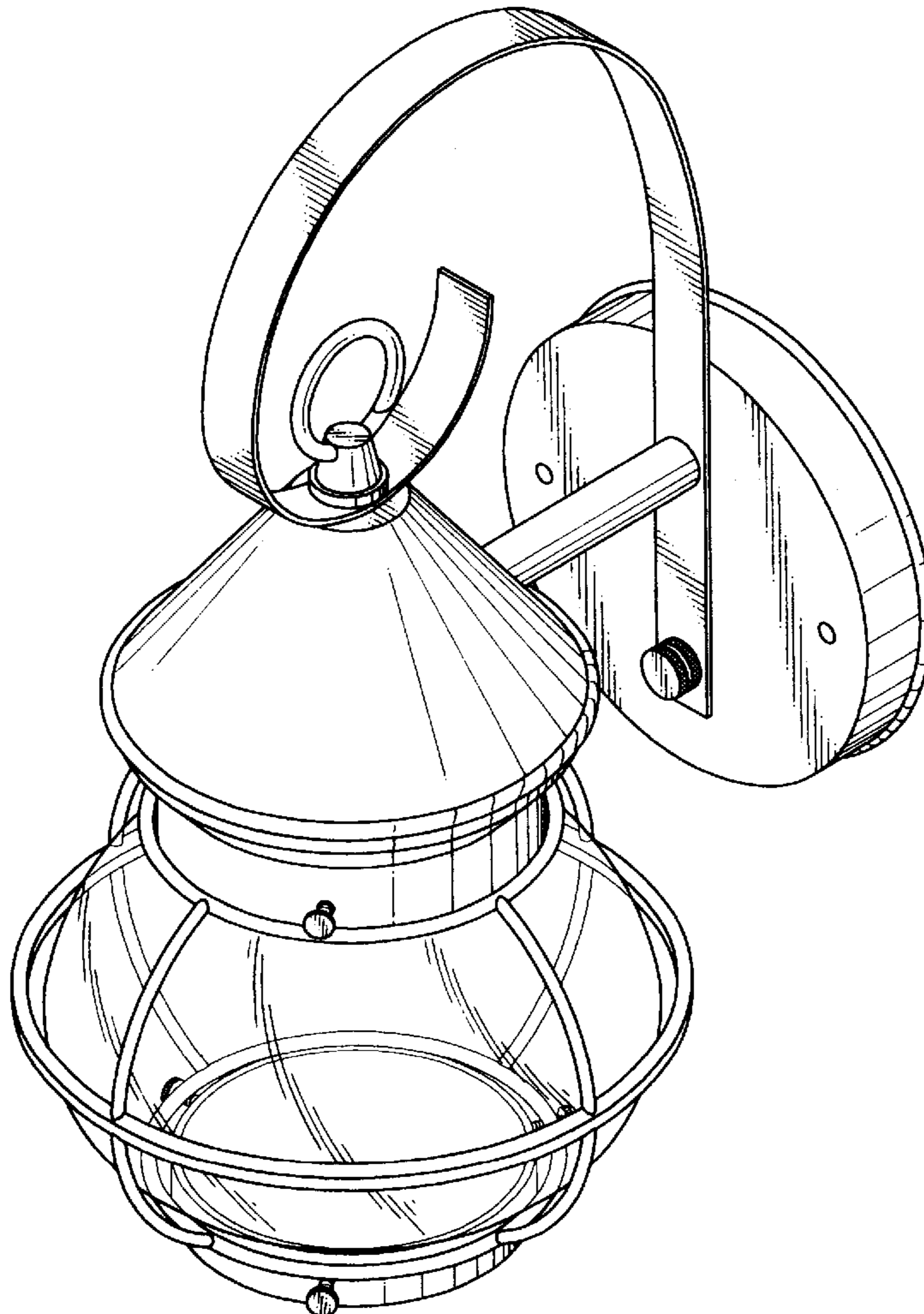
PUBLICATIONS

FIG. 7 is a bottom plan view thereof.

Lighting Mart, Westwood, New Jersey, Dec. 1950 bracket
lantern #3900.

Primary Examiner—Susan J. Lucas

1 Claim, 4 Drawing Sheets



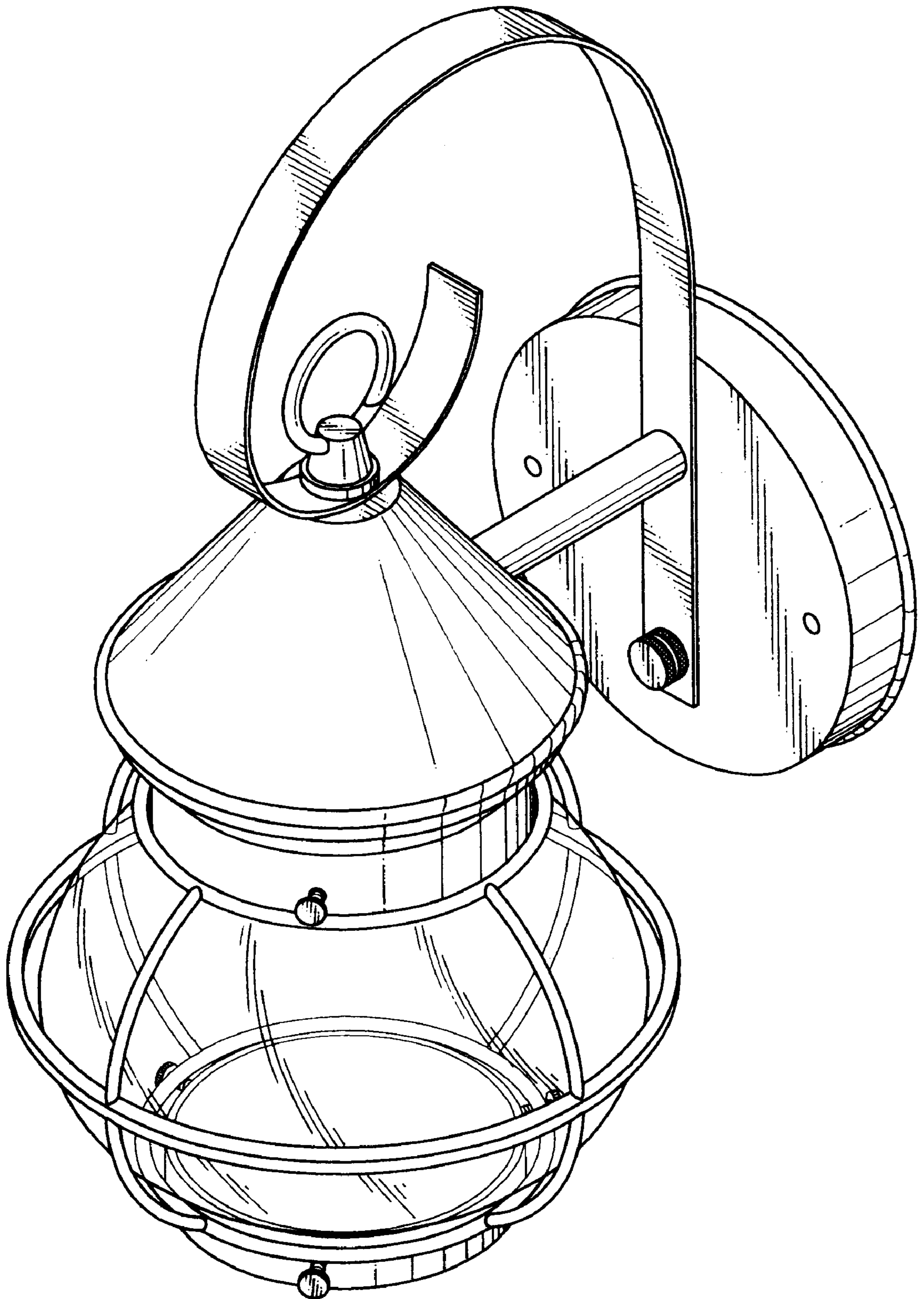


FIG. 1

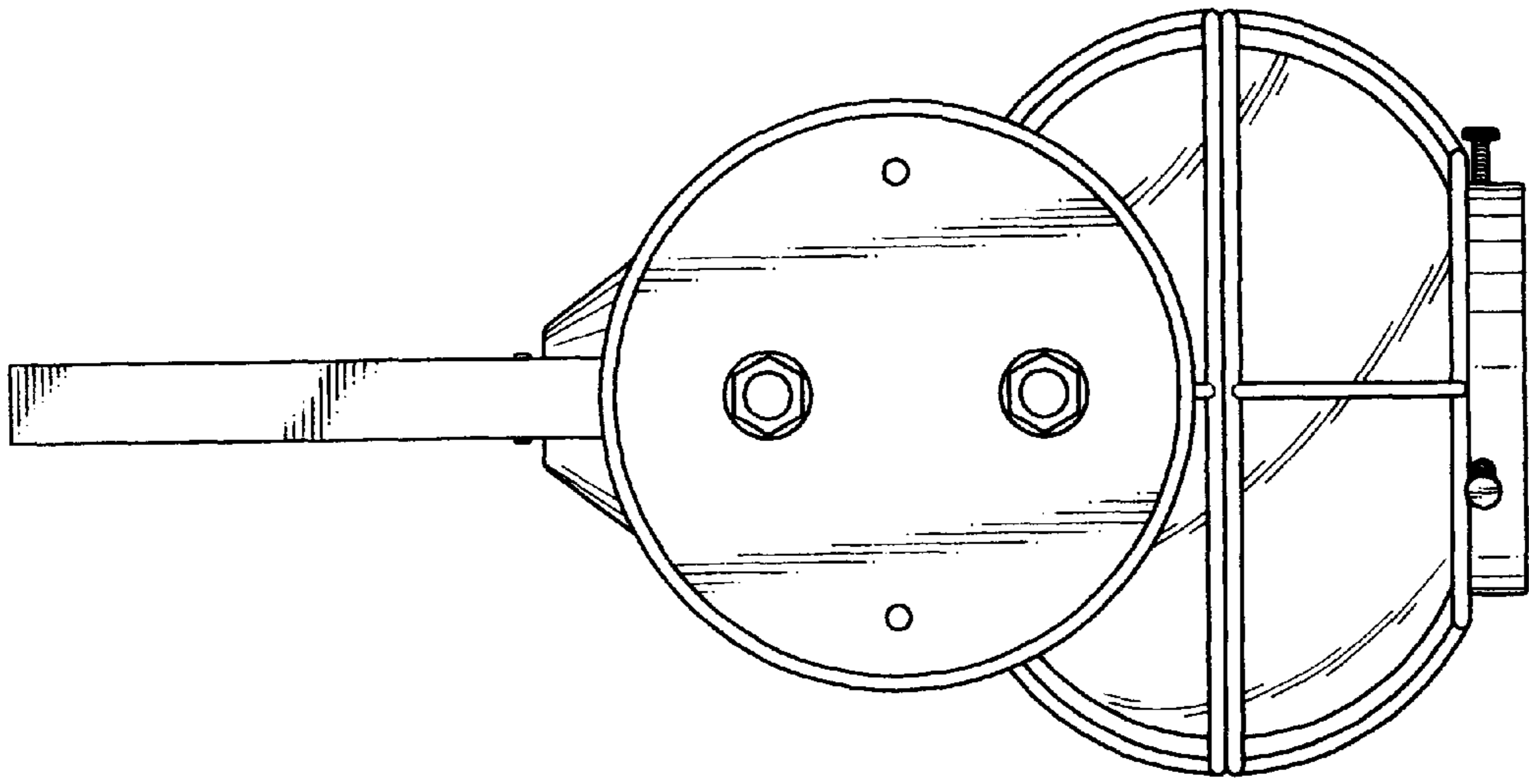


FIG. 3

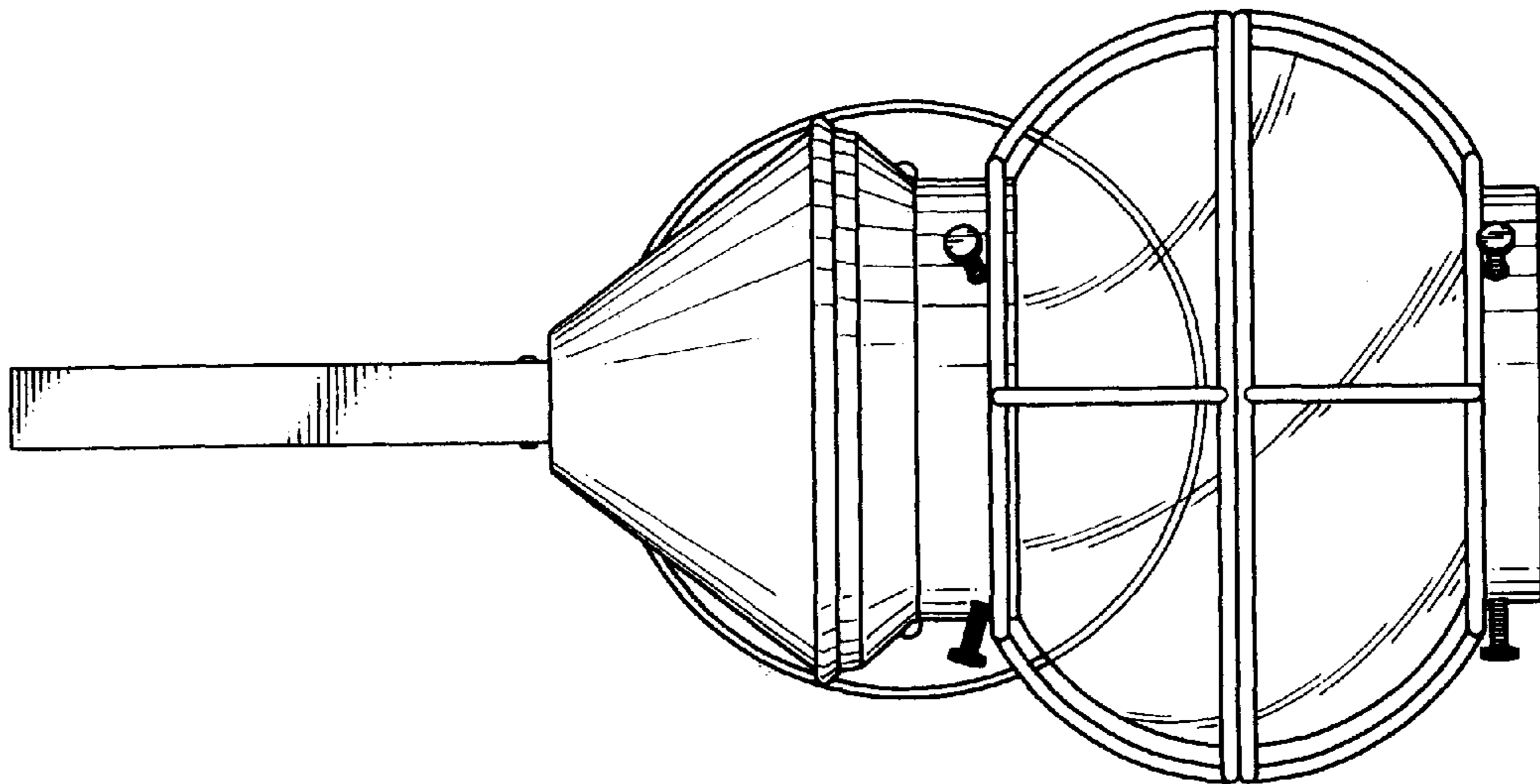


FIG. 2

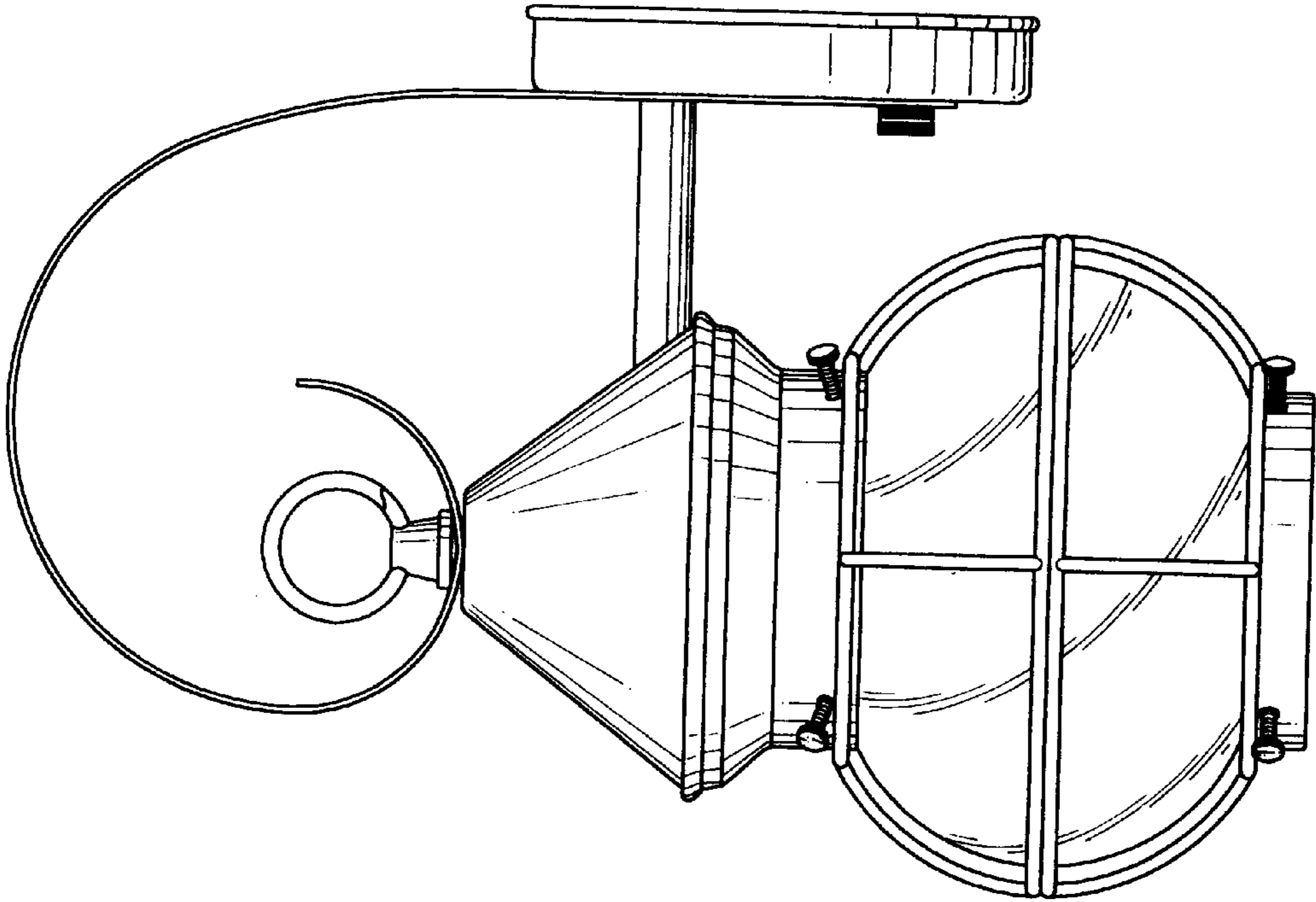


FIG. 5

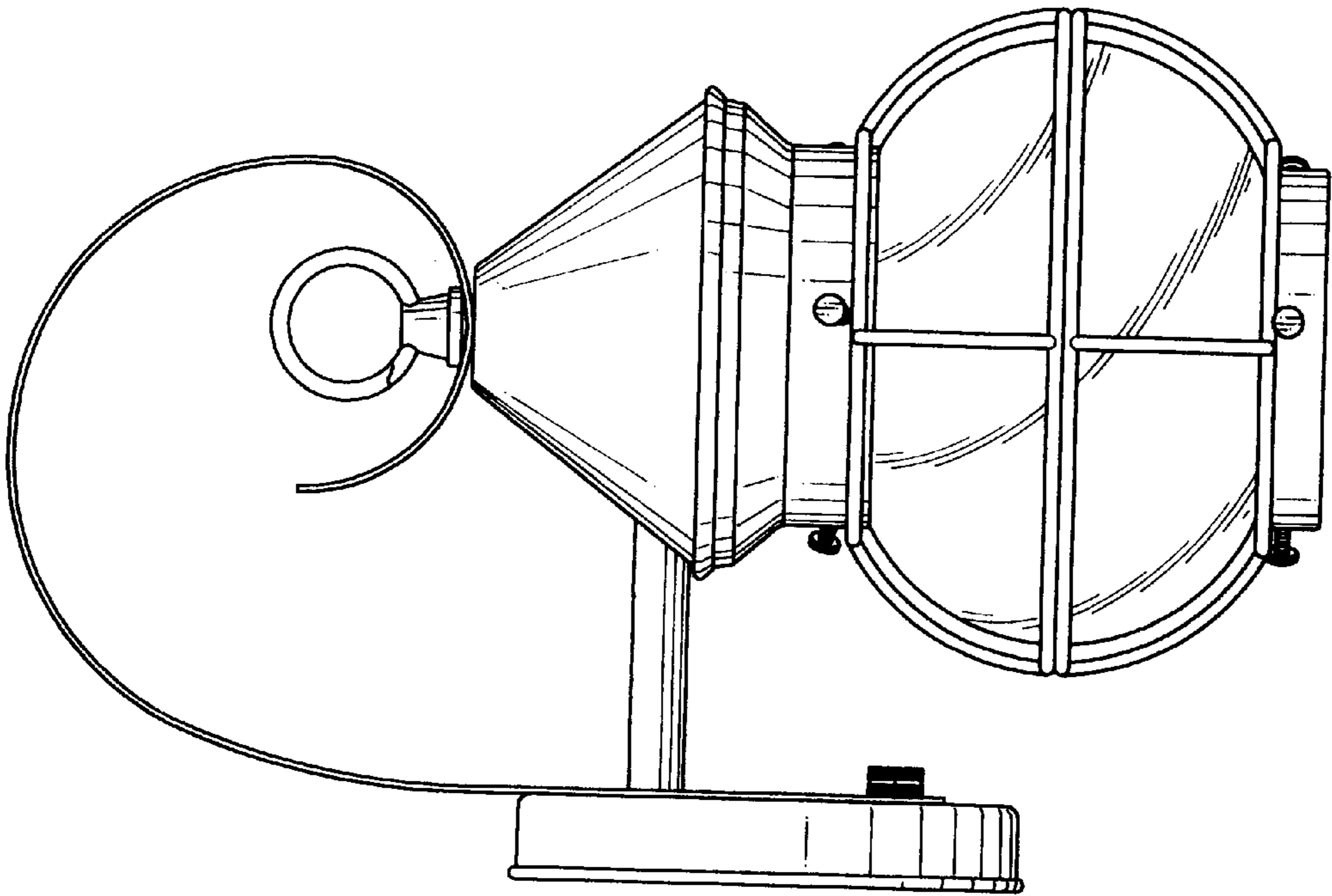


FIG. 4

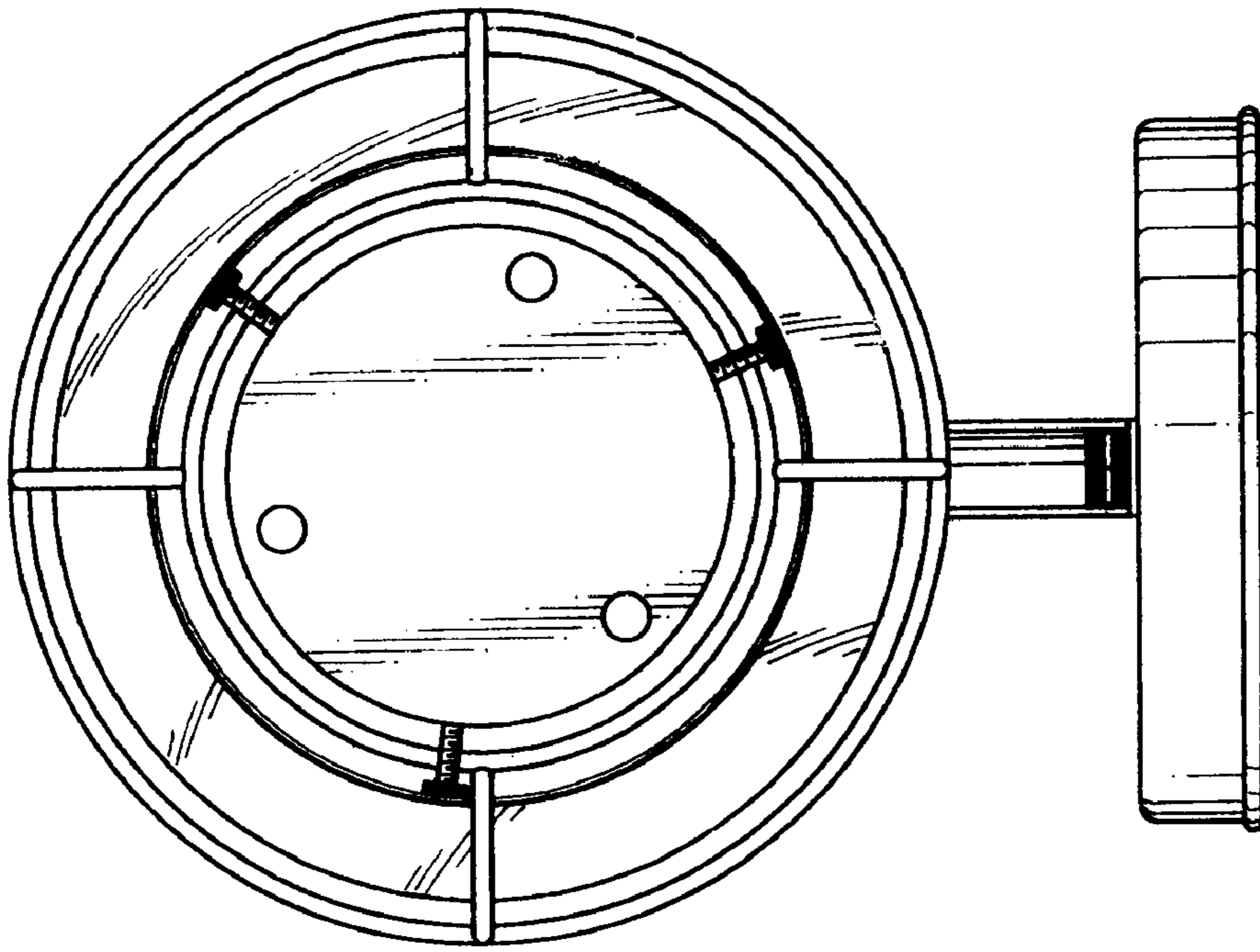


FIG. 6

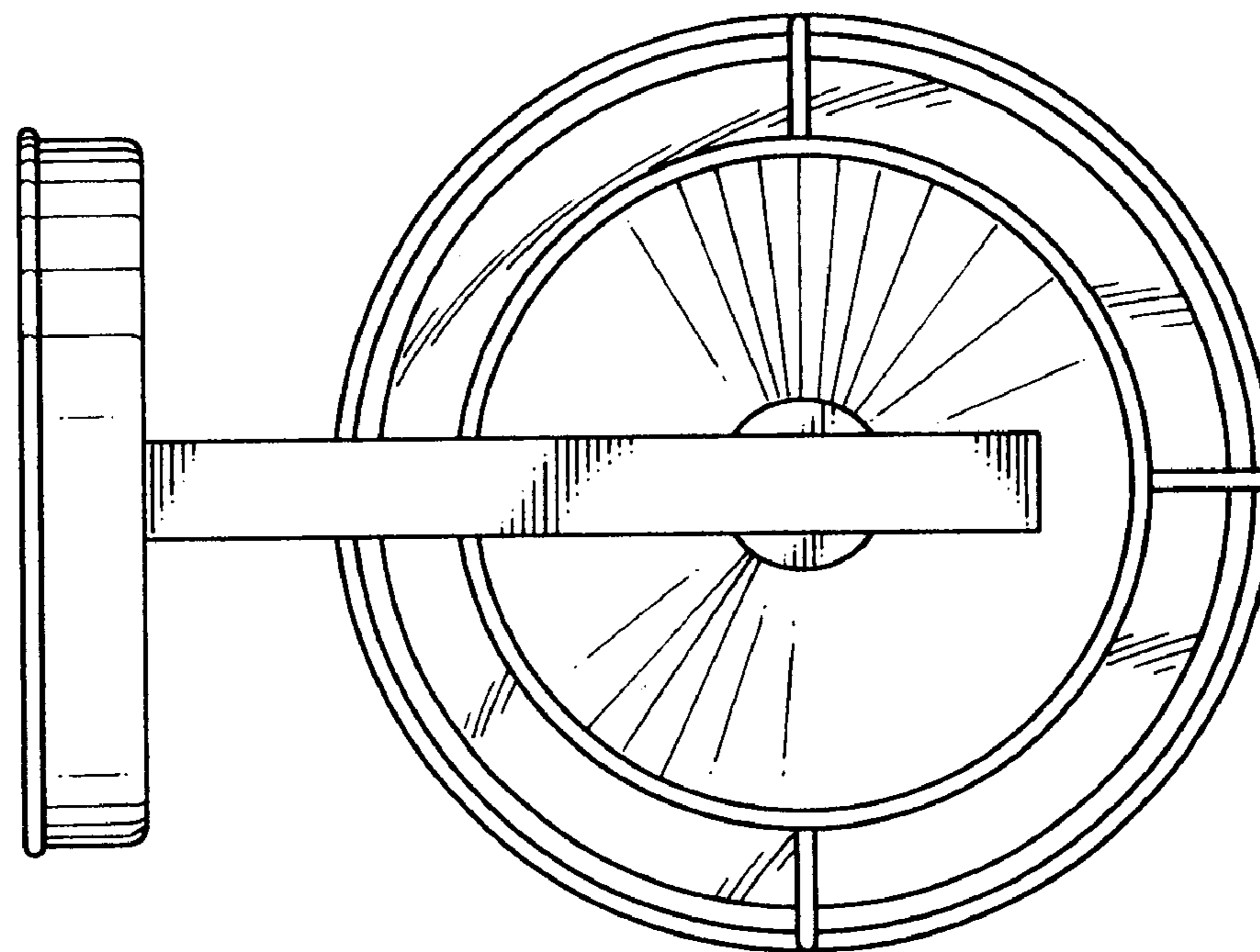


FIG. 7