



US00D429360S

United States Patent [19]

[11] Patent Number: **Des. 429,360**

Chelf et al.

[45] Date of Patent: **** Aug. 8, 2000**

[54] **LIGHT FIXTURE**

Wilshire lighting catalog, 1984, p. 19, ceiling lamp # W242/3.

[75] Inventors: **Bentley Chelf**, Laguna Nigel, Calif.;
Wang Liang Chou, Taichung, Taiwan

Primary Examiner—Susan J. Lucas
Attorney, Agent, or Firm—Haynes & Boone, LLP

[73] Assignee: **Aloha Housewares Co. Ltd.**, Taichung
Hsians, Taiwan

[**] Term: **14 Years**

[57] **CLAIM**

The ornamental design for the light fixture, as shown and described.

[21] Appl. No.: **29/112,674**

[22] Filed: **Oct. 21, 1999**

DESCRIPTION

[51] **LOC (7) Cl.** **26-05**

FIG. 1 is a perspective view of the light fixture showing my new design;

[52] **U.S. Cl.** **D26/86**

FIG. 2 is a front elevational view thereof;

[58] **Field of Search** D26/72, 80-92,
D26/142, 143, 149, 156; 362/147, 404-408

FIG. 3 is a side elevational view thereof;

FIG. 4 is a top plan view thereof; and,

FIG. 5 is a bottom plan view thereof.

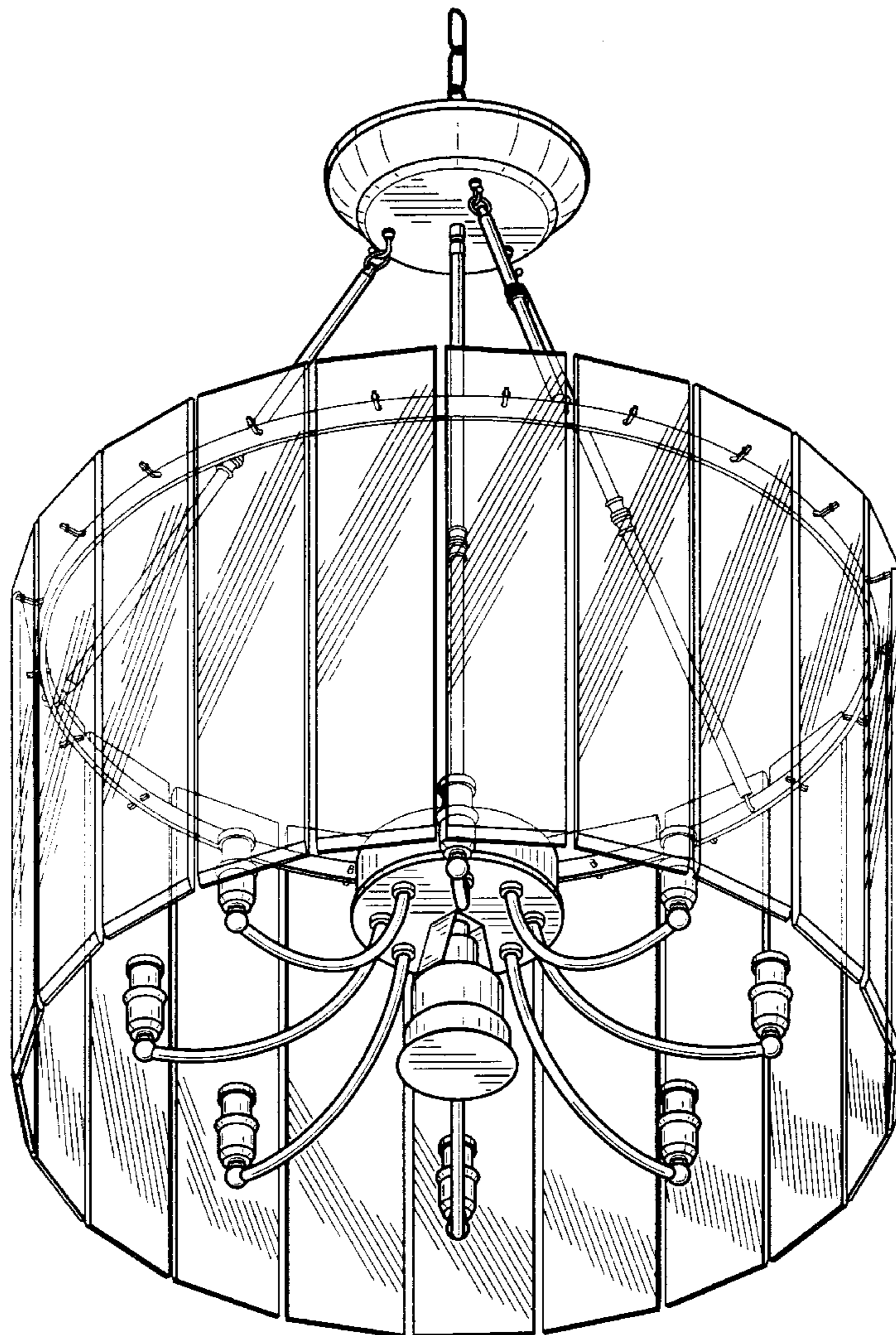
[56] **References Cited**

PUBLICATIONS

F. Ramond lighting catalog, 1989, p. 7 ceiling pendant #4885.

Minka Lighting catalog, 1995, p. 203, ceiling lamp #916.

1 Claim, 4 Drawing Sheets



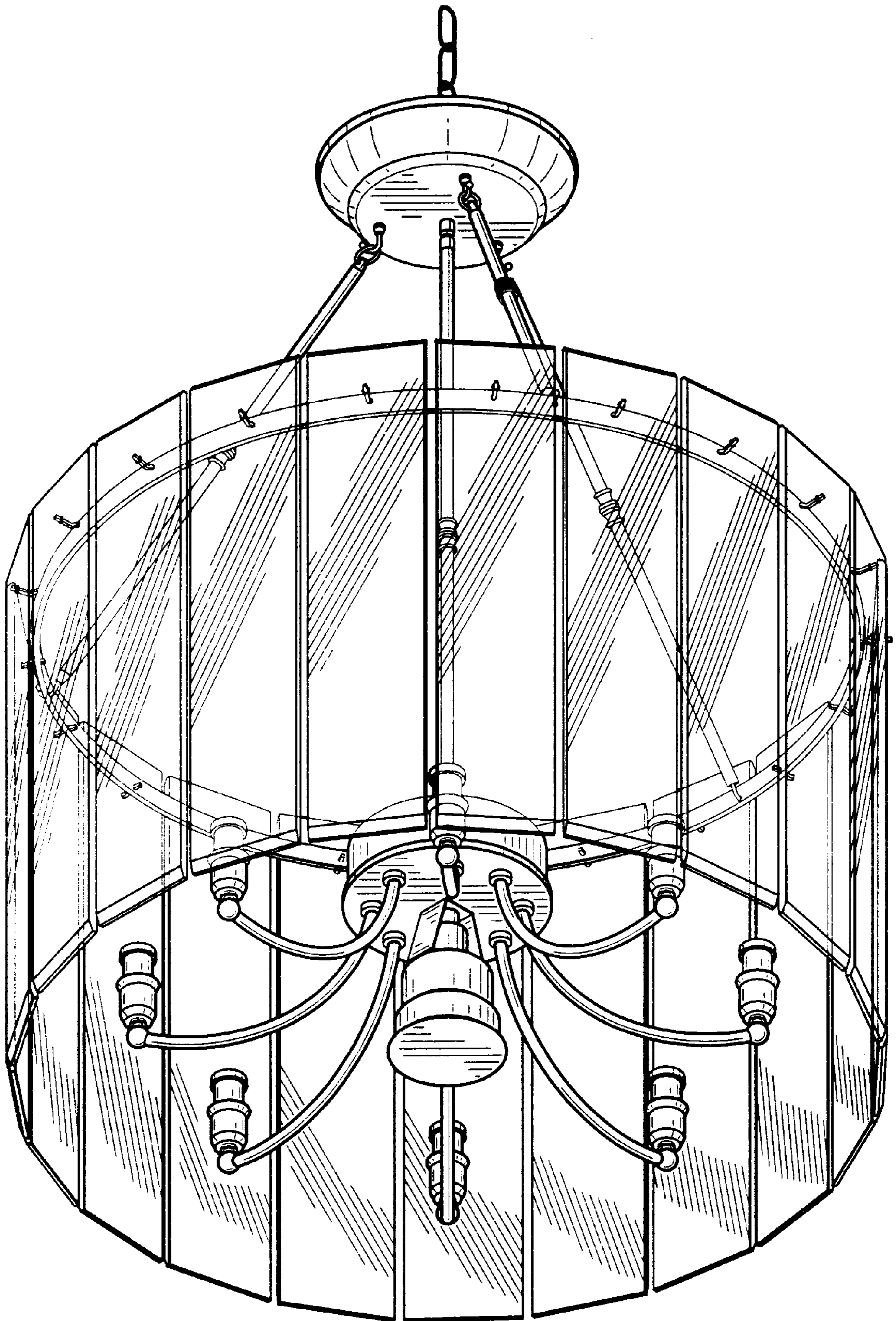


Fig. 1

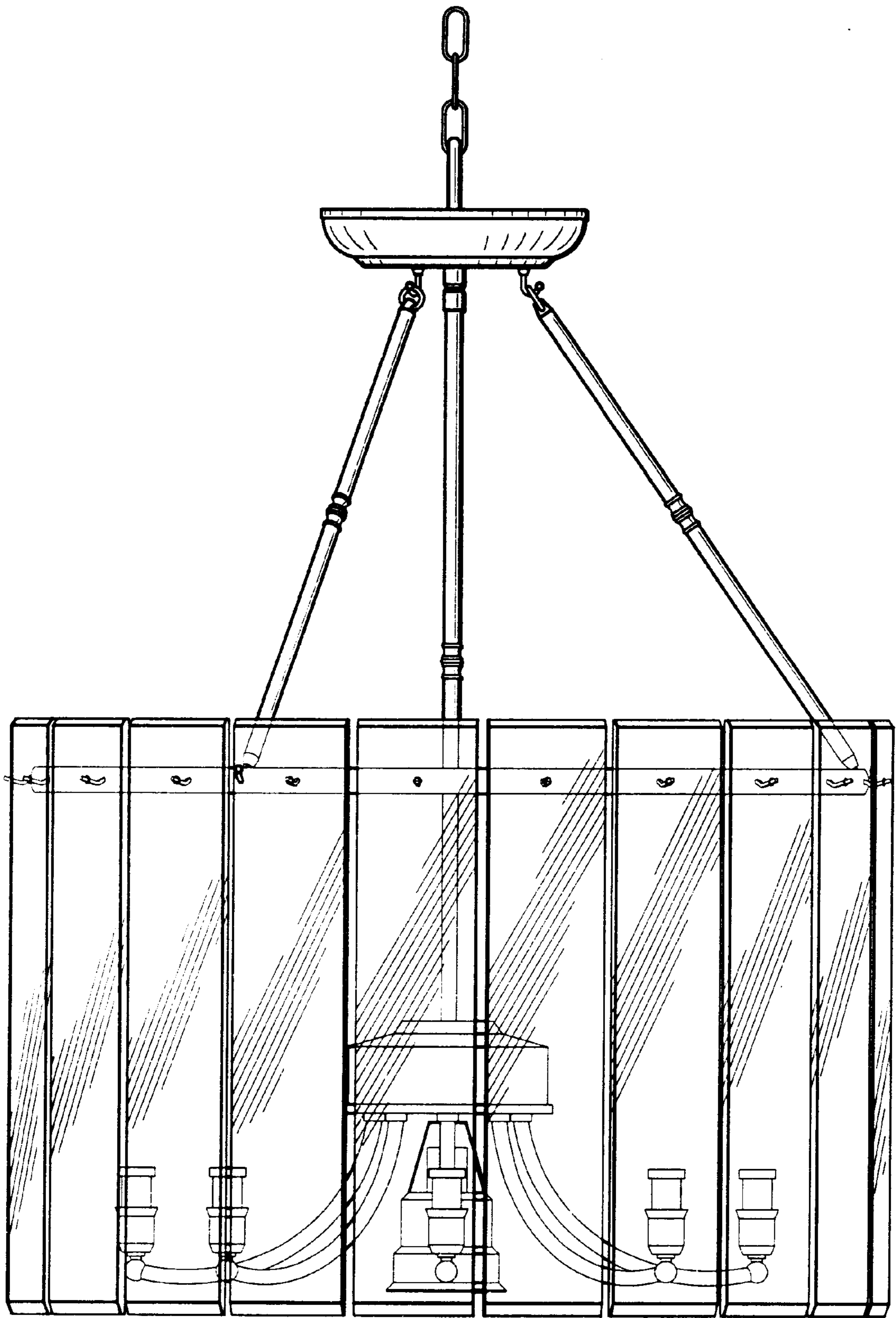


Fig. 2

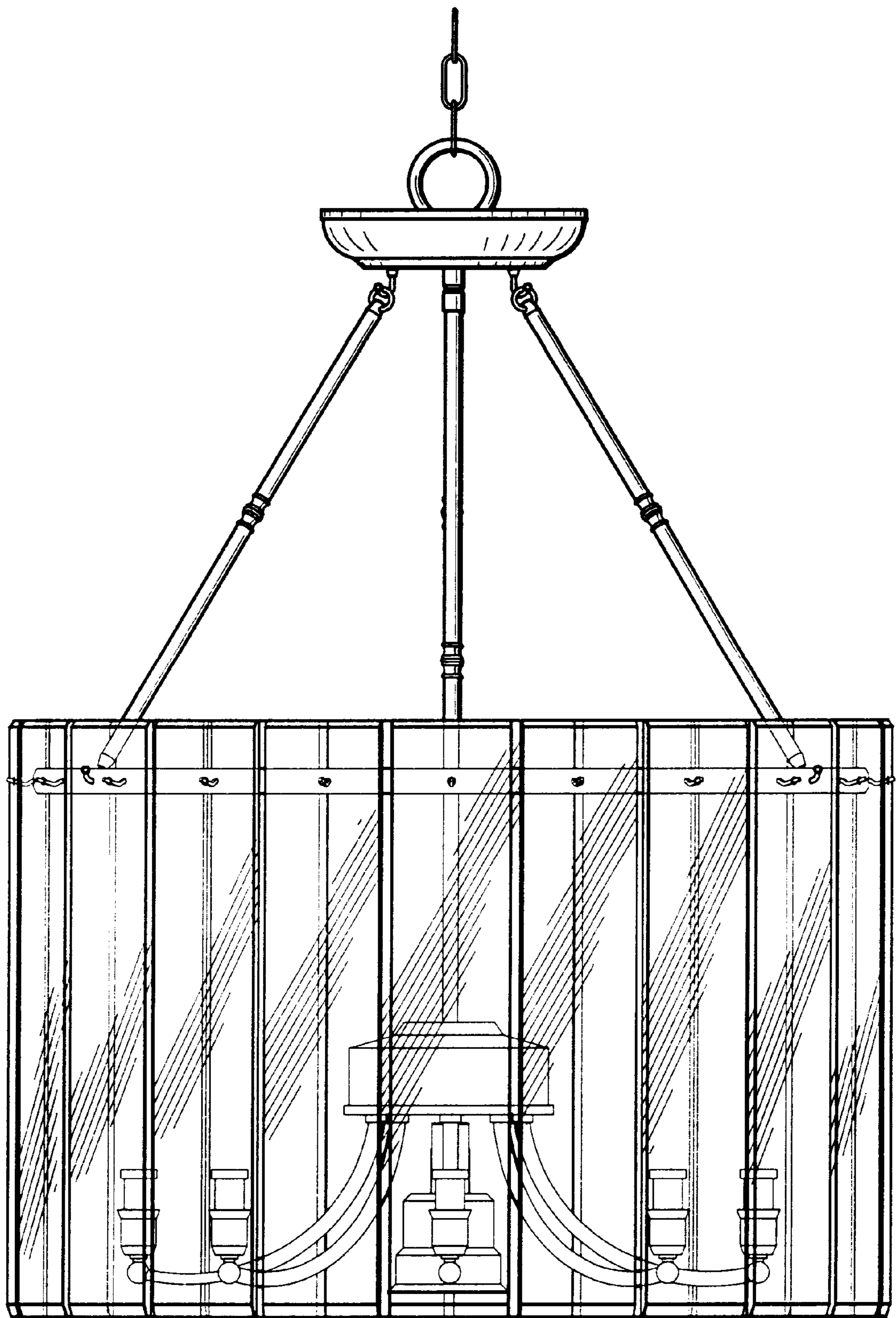


Fig. 3

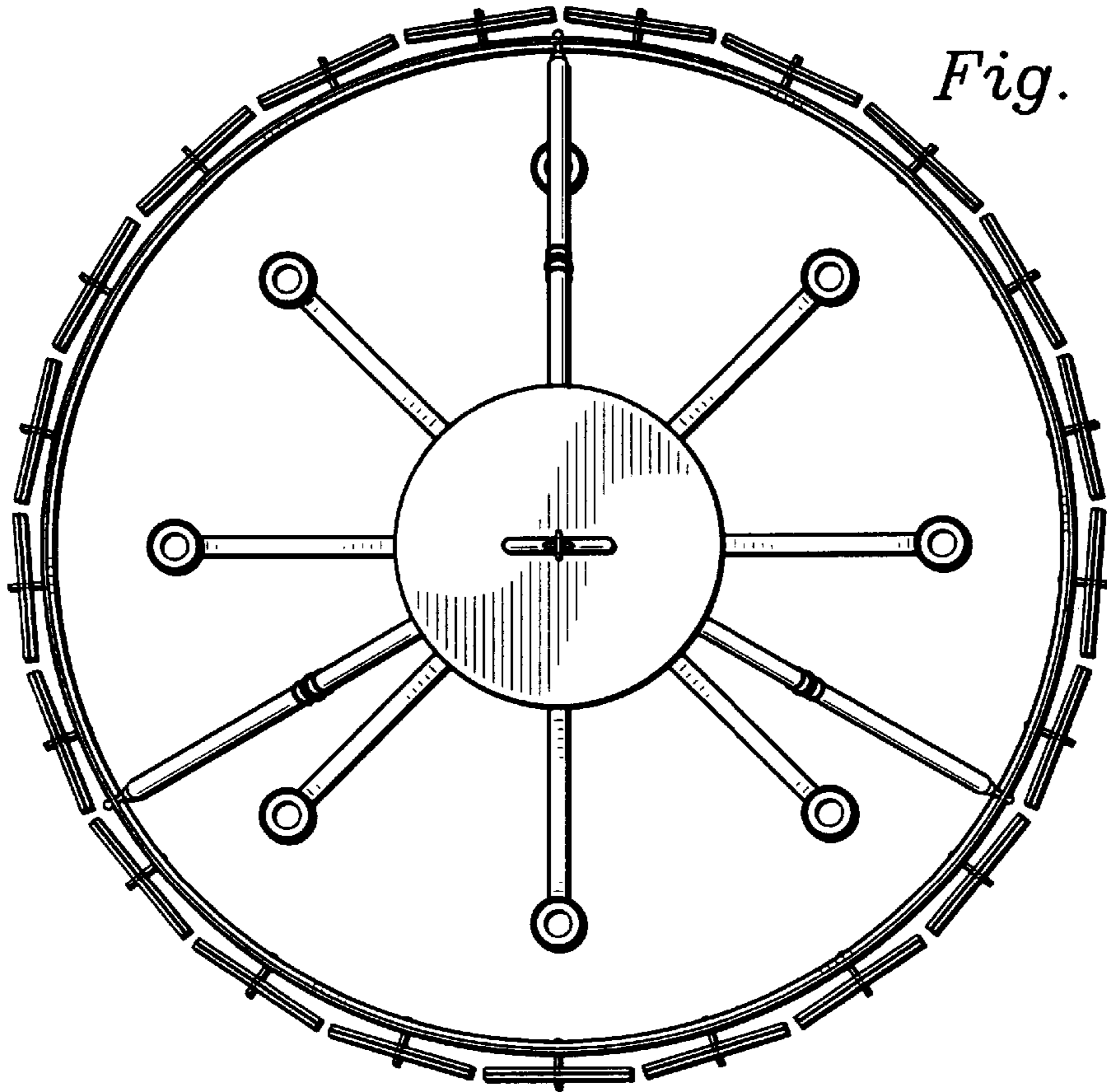


Fig. 4

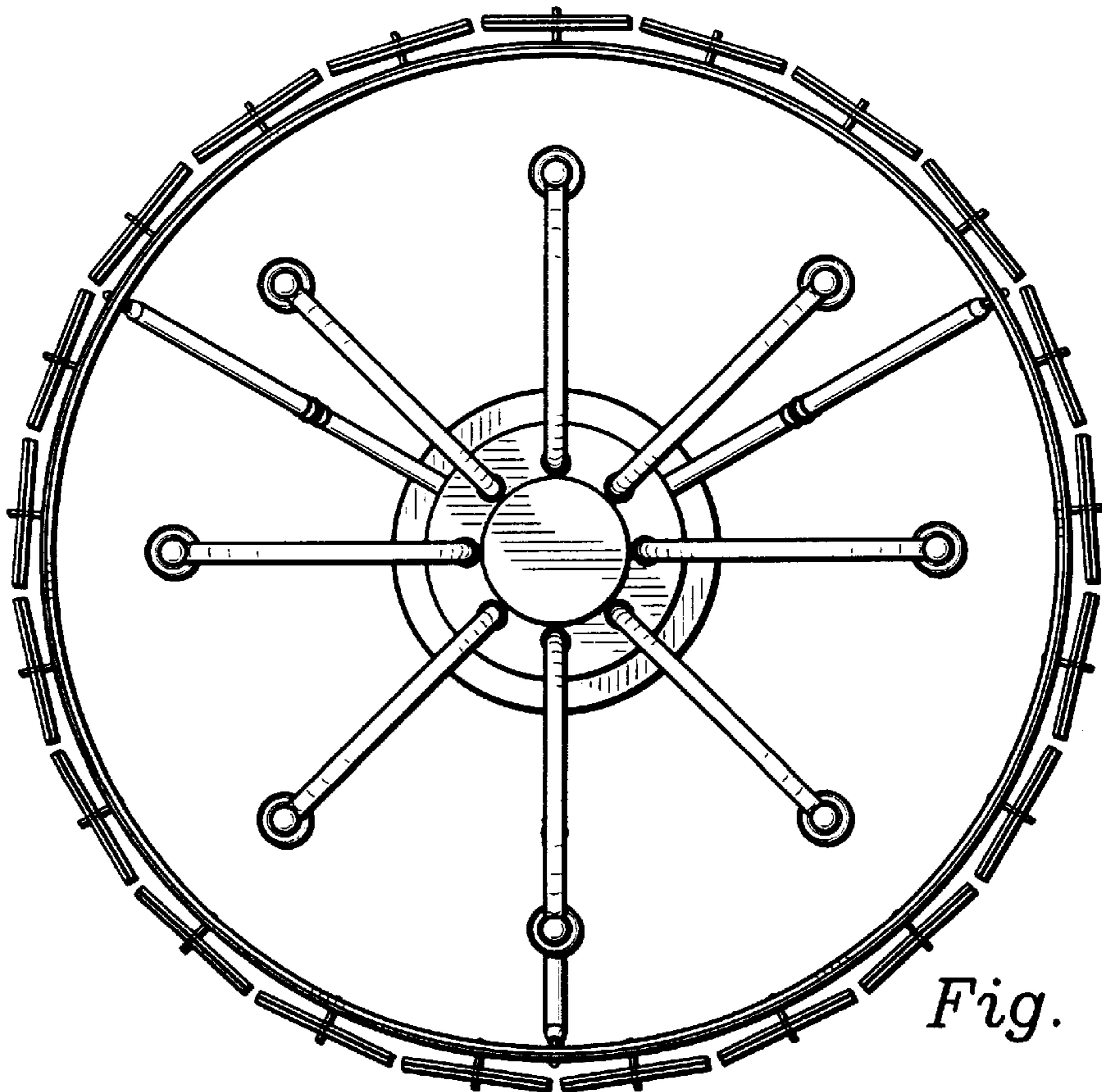


Fig. 5