



US00D429359S

# United States Patent [19] Chen

[11] Patent Number: **Des. 429,359**

[45] Date of Patent: **\*\* Aug. 8, 2000**

[54] **HANGING LAMP**

[76] Inventor: **Chia Teh Chen**, 5F, No.30, Yee Shien Road, Taipei, Taiwan

[\*\*] Term: **14 Years**

[21] Appl. No.: **29/115,088**

[22] Filed: **Dec. 8, 1999**

[51] **LOC (7) Cl.** ..... **26-05**

[52] **U.S. Cl.** ..... **D26/85; D26/88**

[58] **Field of Search** ..... D26/67-71, 72, D26/85, 87, 92; 362/431, 432, 147, 153, 153.1, 157, 183, 363, 367

[56] **References Cited**

**U.S. PATENT DOCUMENTS**

- D. 353,906 12/1994 Hsu .
- D. 491,256 1/2000 Meck et al. .... D26/67

**OTHER PUBLICATIONS**

Georgian Art Lighting Designs Inc. catalog, p. 1 lantern #20-981, Jan. 1986.

*Primary Examiner*—Susan J. Lucas  
*Attorney, Agent, or Firm*—Rosenberg, Klein & Lee

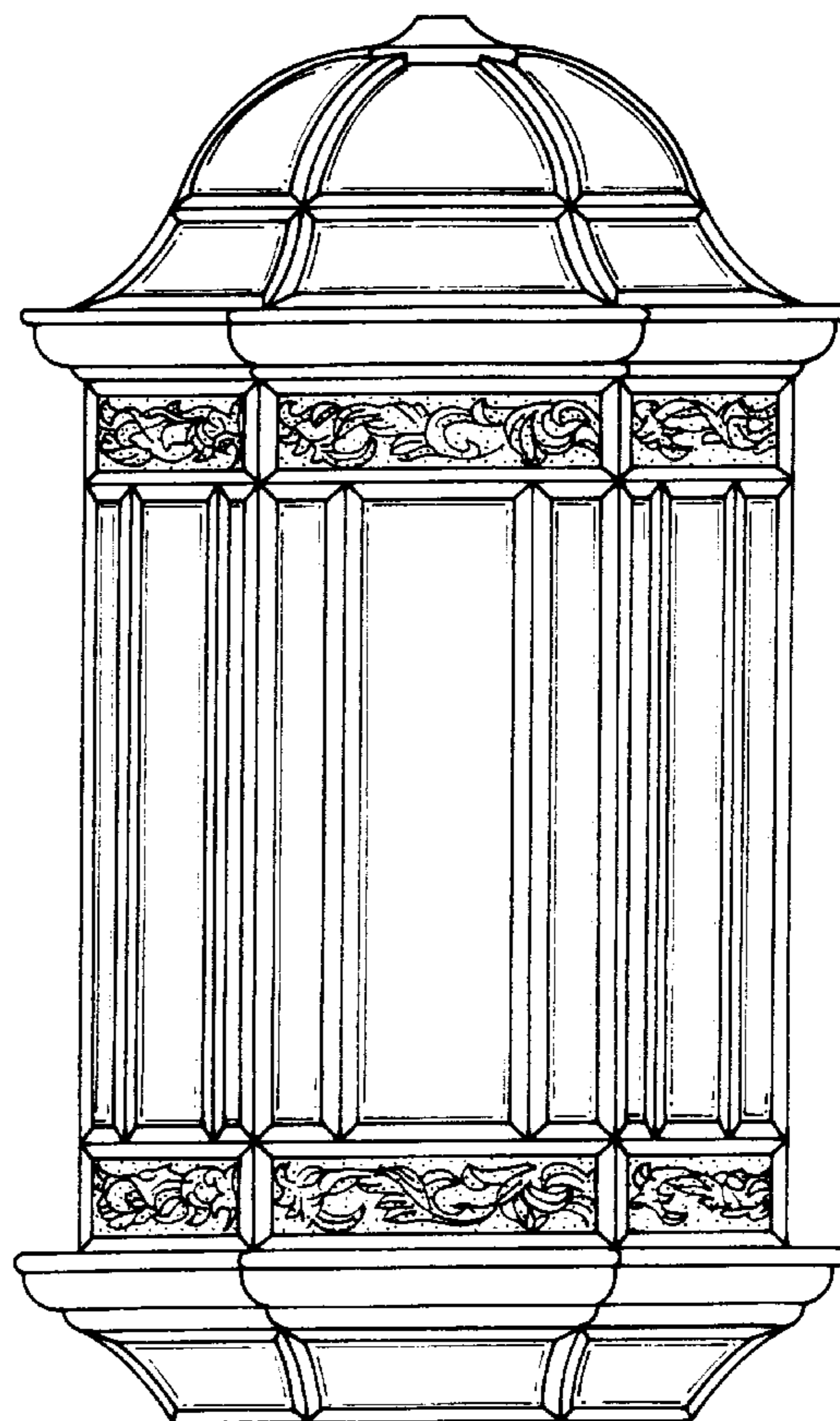
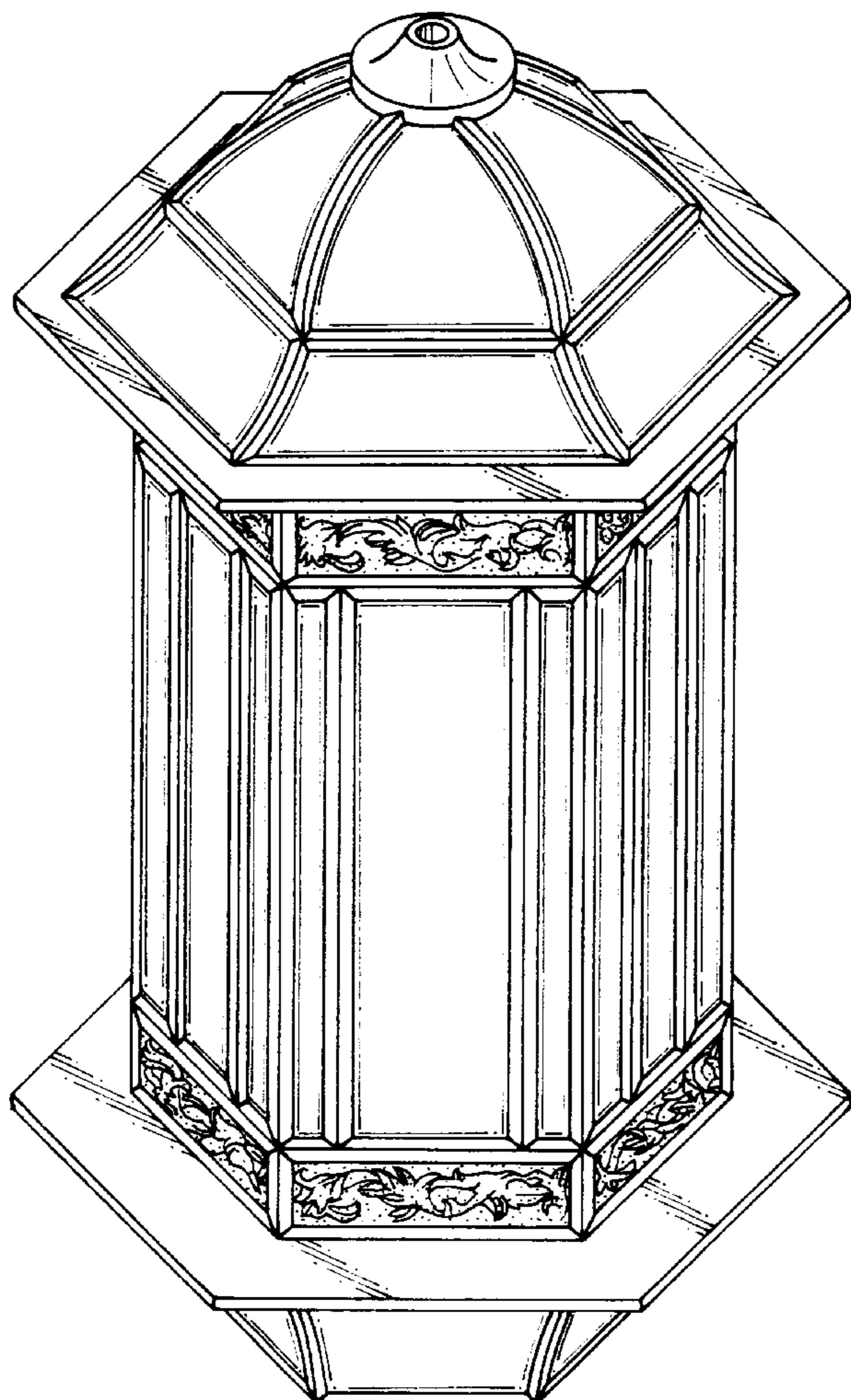
[57] **CLAIM**

The ornamental design for hanging lamp, as shown and described.

**DESCRIPTION**

FIG. 1 is the perspective view of a hanging lamp showing my new design;  
FIG. 2 is the front elevational view thereof;  
FIG. 3 is the rear elevational view thereof;  
FIG. 4 is the left side elevational view thereof;  
FIG. 5 is the right side elevational view thereof;  
FIG. 6 is the top plan view thereof; and,  
FIG. 7 is the bottom plan view thereof.

**1 Claim, 6 Drawing Sheets**



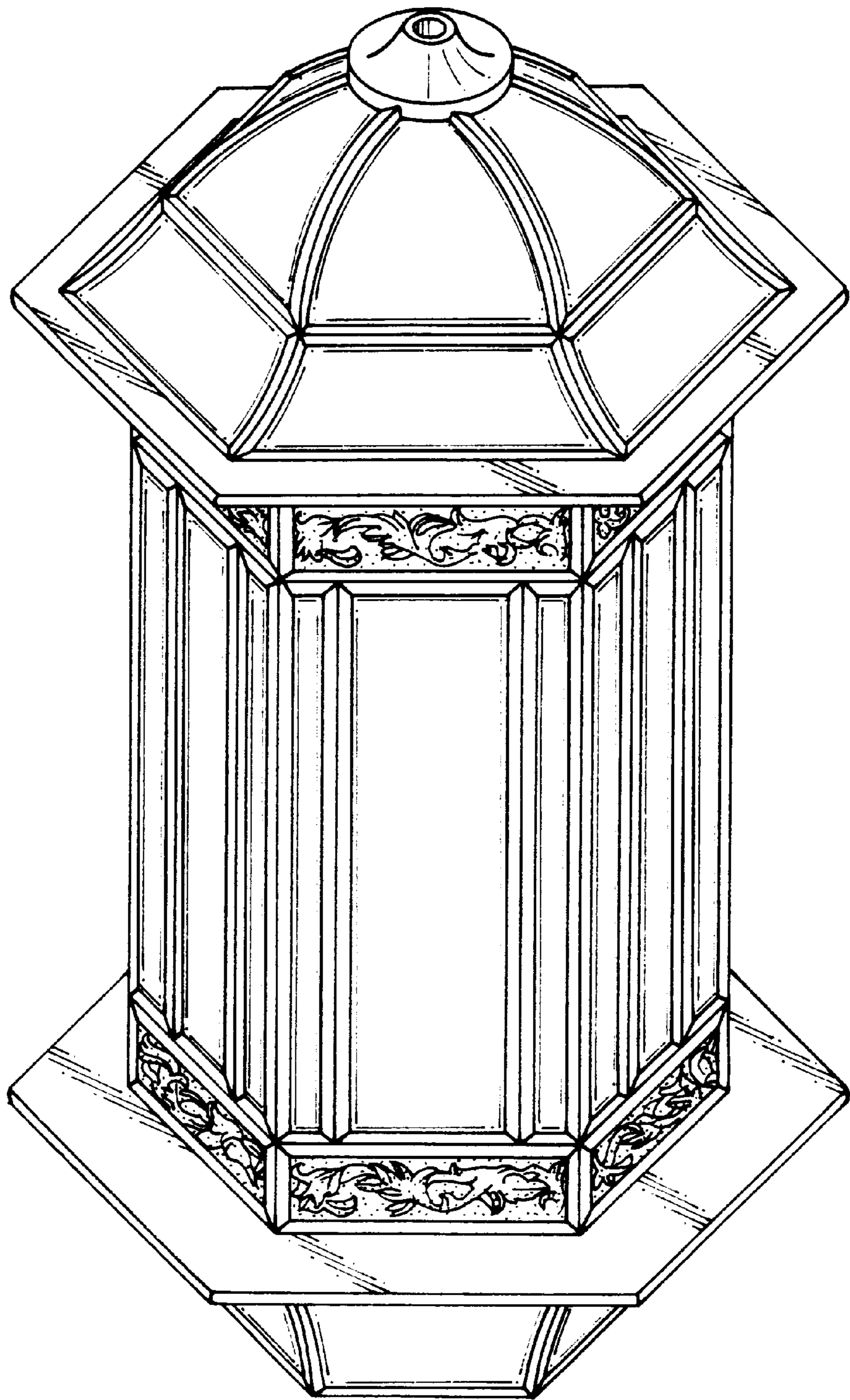


FIG. 1

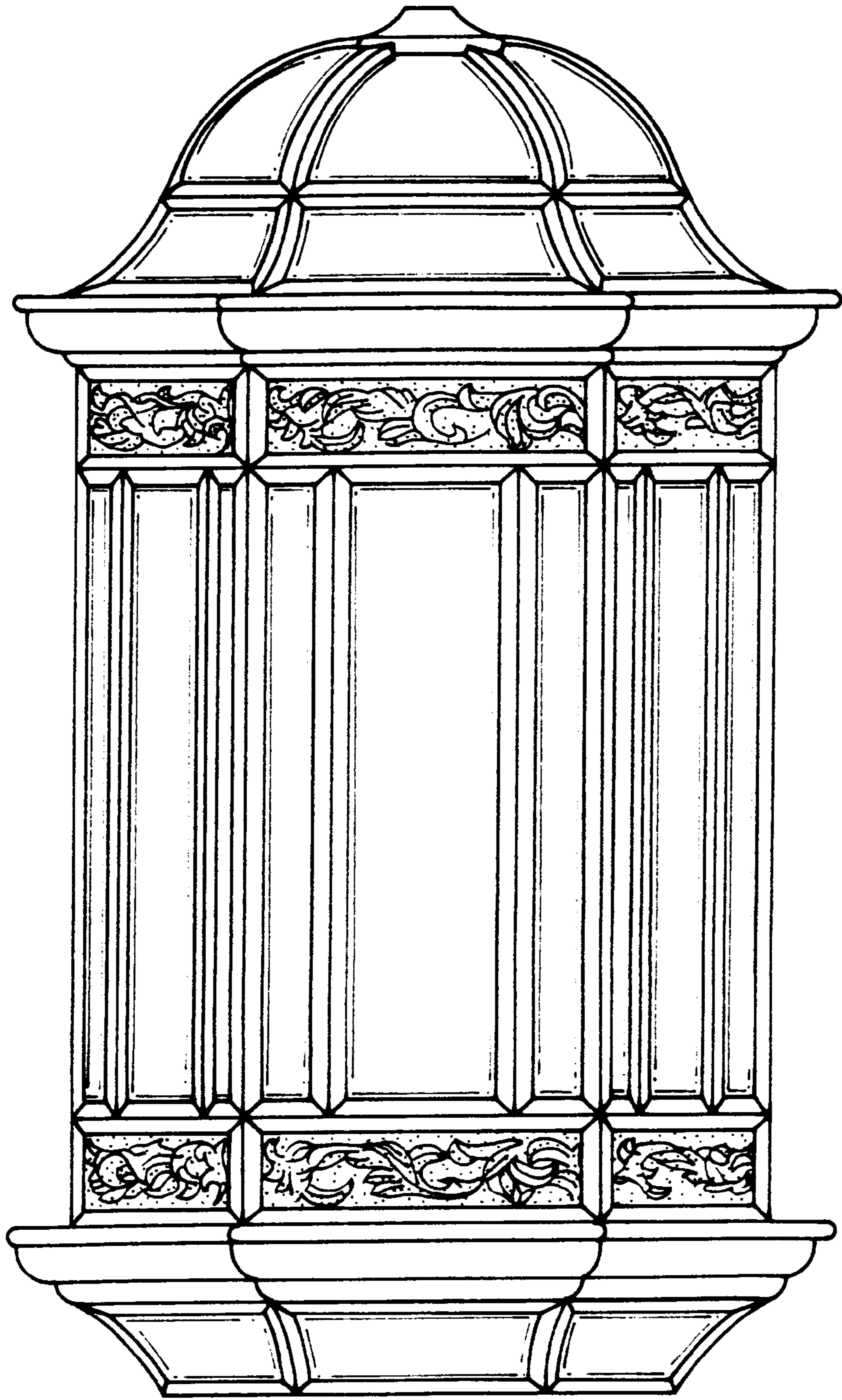


FIG. 2

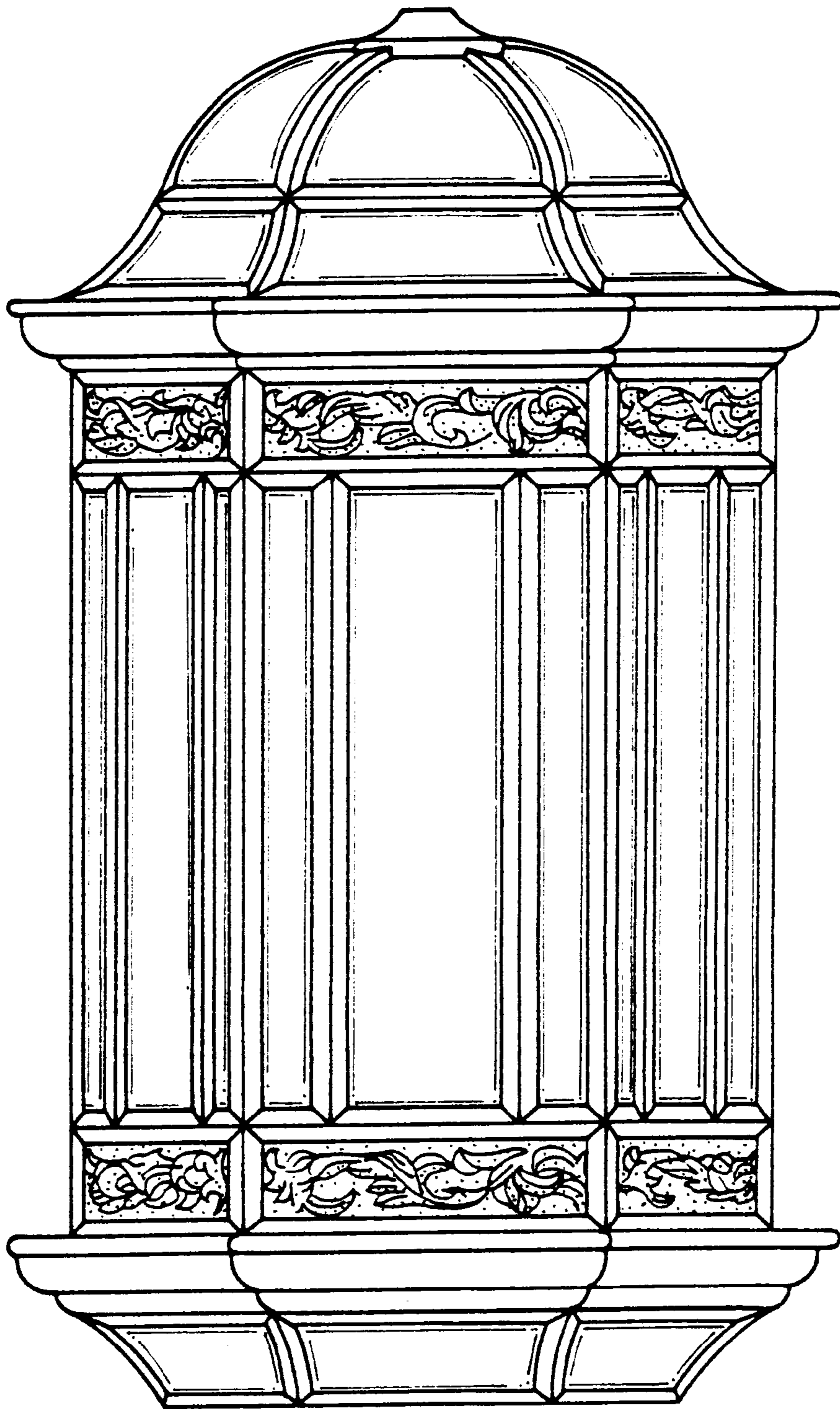


FIG. 3

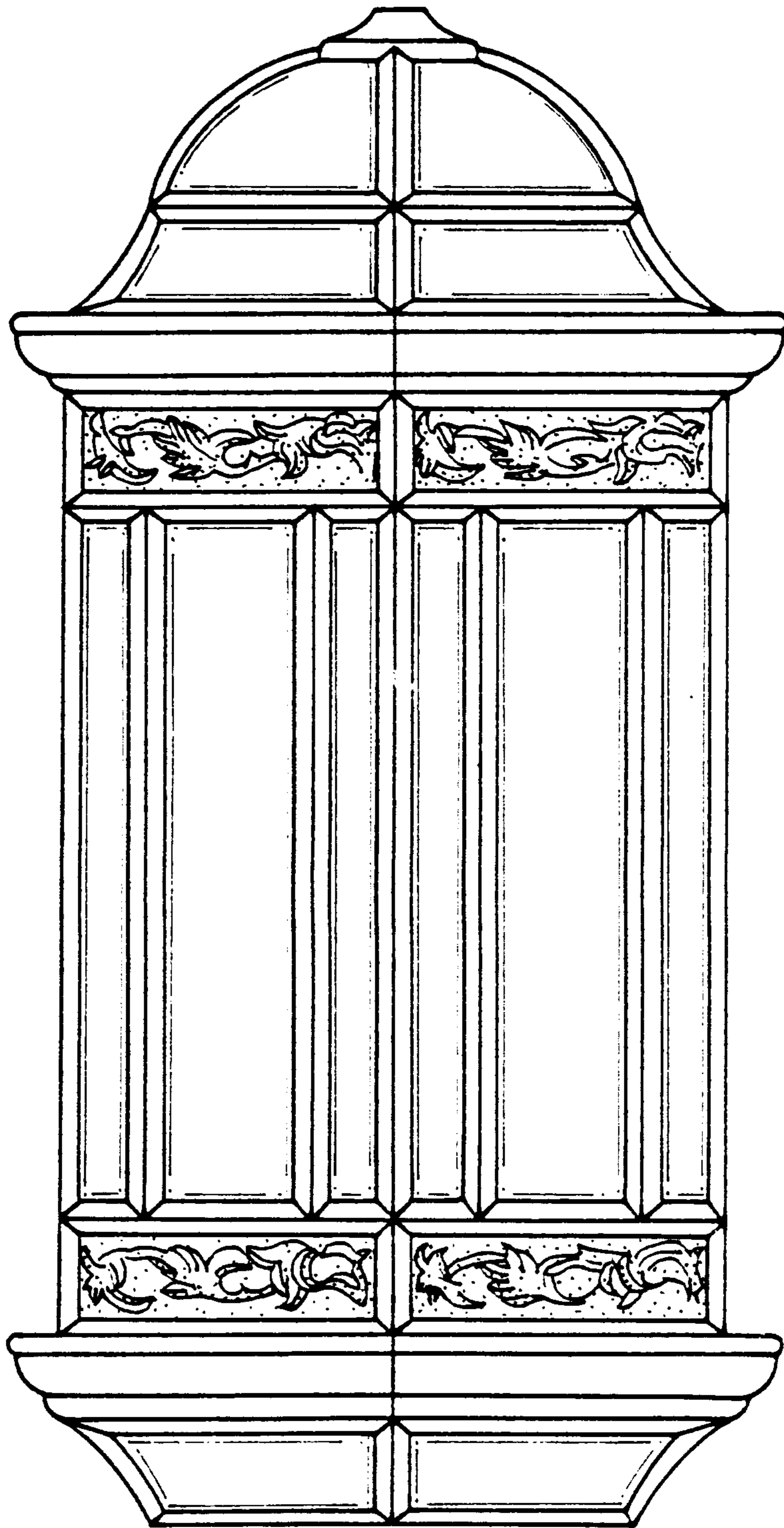


FIG. 4

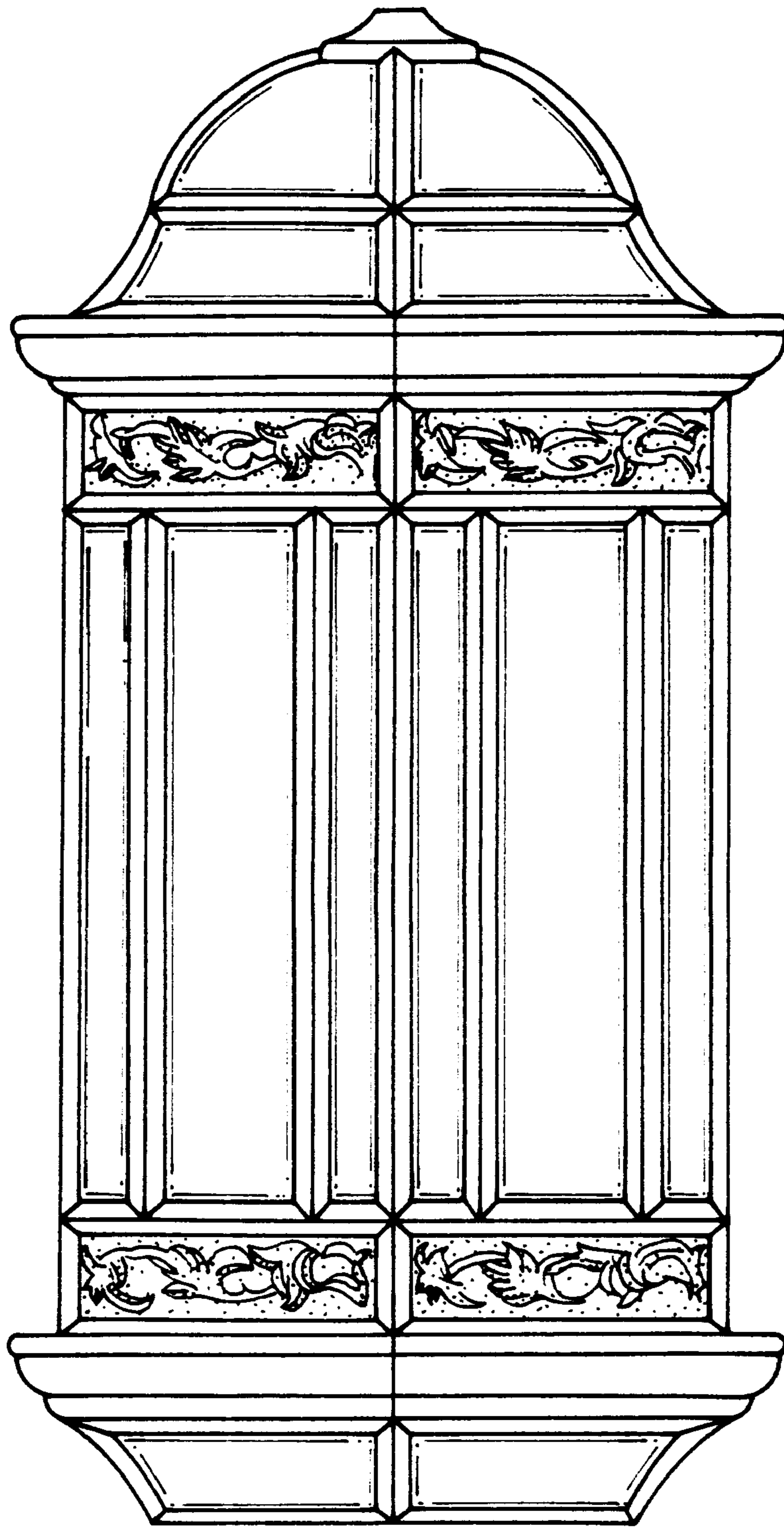


FIG. 5

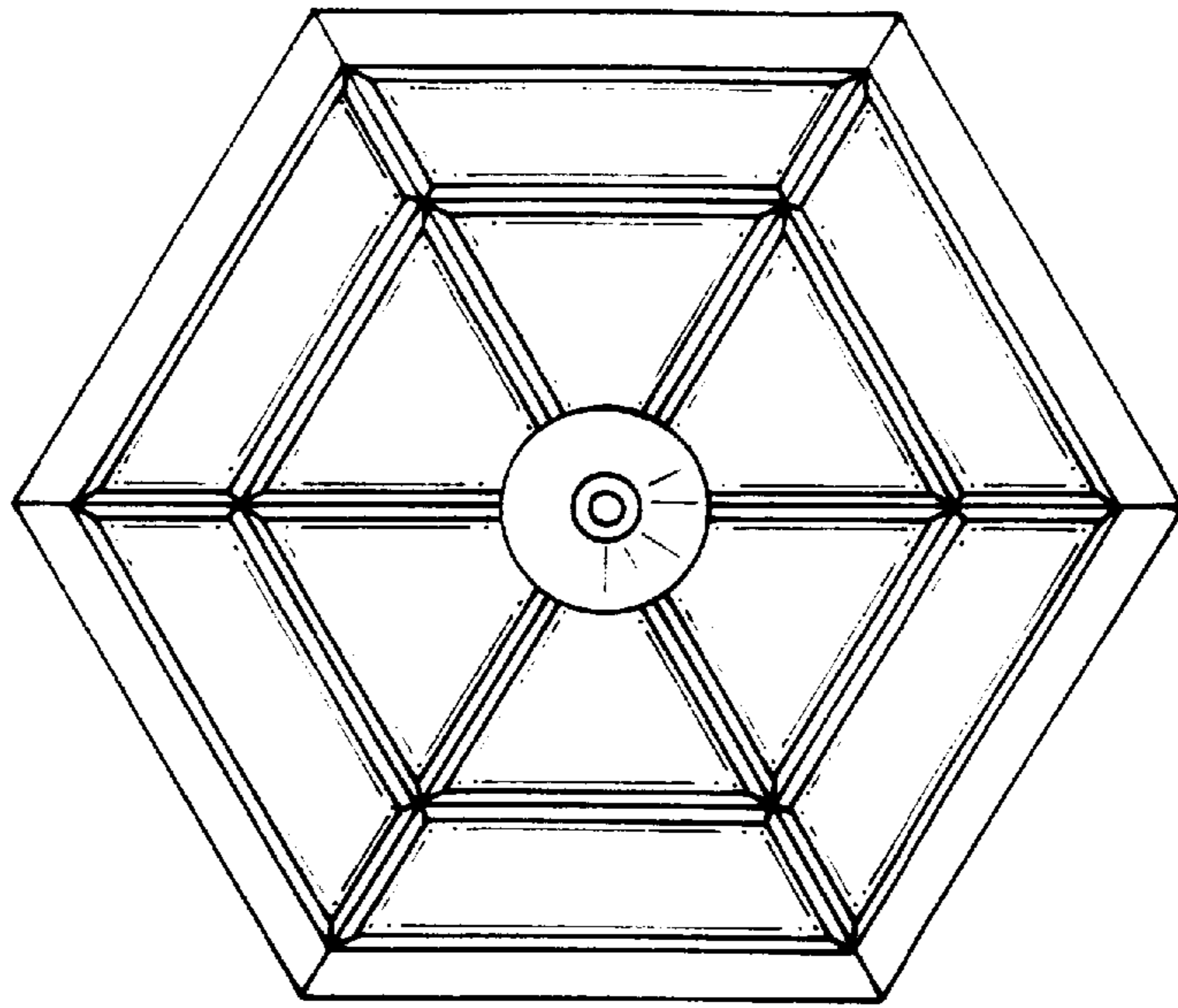


FIG. 6

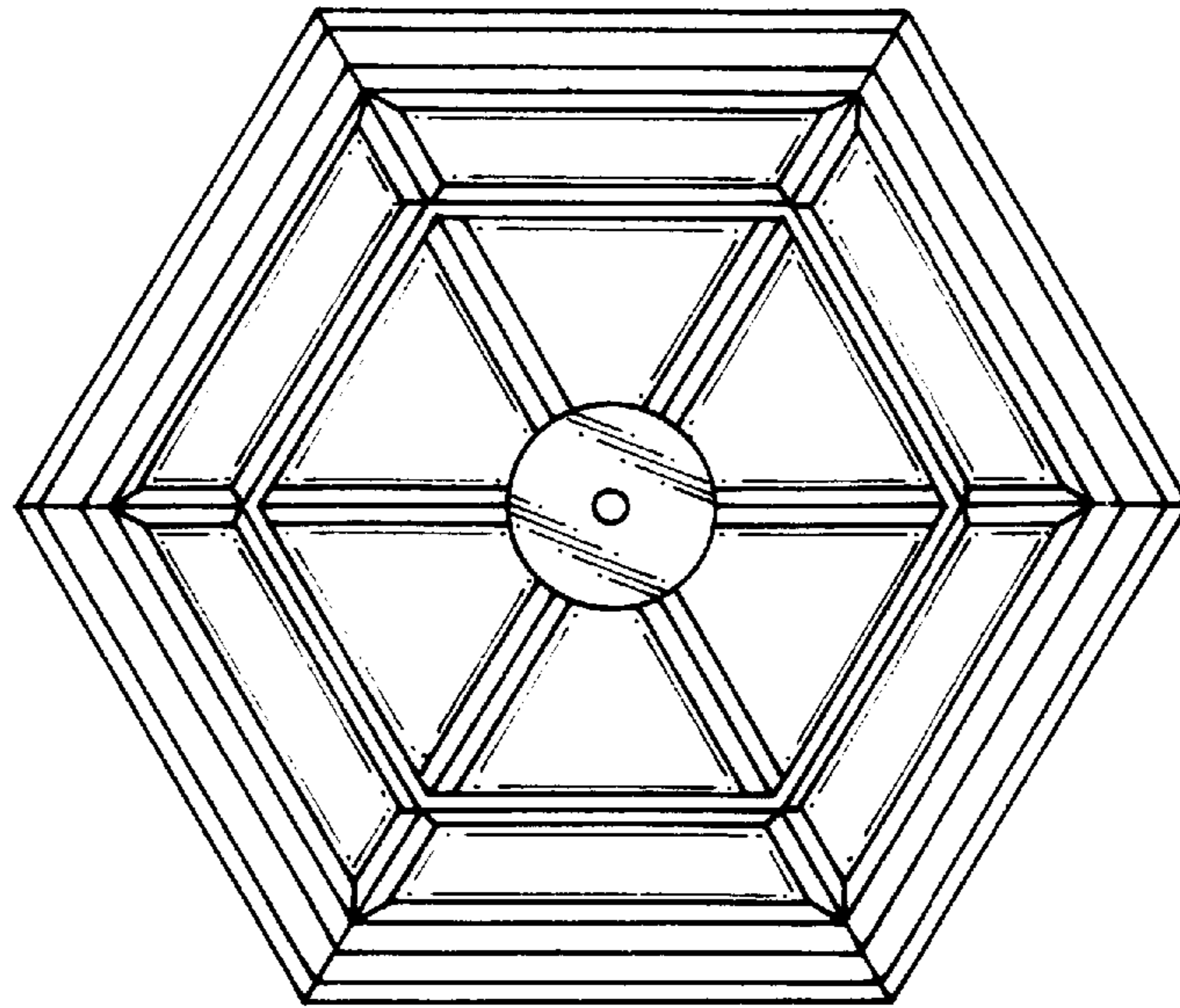


FIG. 7