



US00D429357S

United States Patent [19] Grimm

[11] **Patent Number: Des. 429,357**

[45] **Date of Patent: ** Aug. 8, 2000**

[54] **LAMP**

[75] Inventor: **Manfred Grimm**, Arnsberg, Germany

[73] Assignee: **Trilux-Lenze GmbH +Co. KG**,
Arnsberg, Germany

[**] Term: **14 Years**

[21] Appl. No.: **29/110,259**

[22] Filed: **Sep. 2, 1999**

[30] **Foreign Application Priority Data**

Mar. 3, 1999 [DE] Germany 499 02 128

[51] **LOC (7) Cl.** **26-05**

[52] **U.S. Cl.** **D26/76**

[58] **Field of Search** D26/75-78, 24,
D26/118; 362/217, 218, 219, 222, 223,
279, 290, 291, 297, 362

[56] **References Cited**

U.S. PATENT DOCUMENTS

D. 308,259 5/1990 Burkarth D26/76

D. 320,283 9/1991 Burkarth D26/77 X
D. 352,566 11/1994 Johnson et al. D26/76 X
5,526,244 6/1996 Bishop 362/279

Primary Examiner—Susan J. Lucas
Attorney, Agent, or Firm—Brooks & Kushman P.C.

[57] **CLAIM**

The ornamental design for a lamp, as shown and described.

DESCRIPTION

FIG. 1 is perspective view of the new design.

FIG. 2 is a right-side elevational view;

FIG. 3 is a front elevational view;

FIG. 4 is a bottom plan view;

FIG. 5 is a top plan view;

FIG. 6 is a perspective view with an extracted tubular
guiding system;

FIG. 7 is a left-side elevational view; and,

FIG. 8 is a rear elevational view.

1 Claim, 6 Drawing Sheets

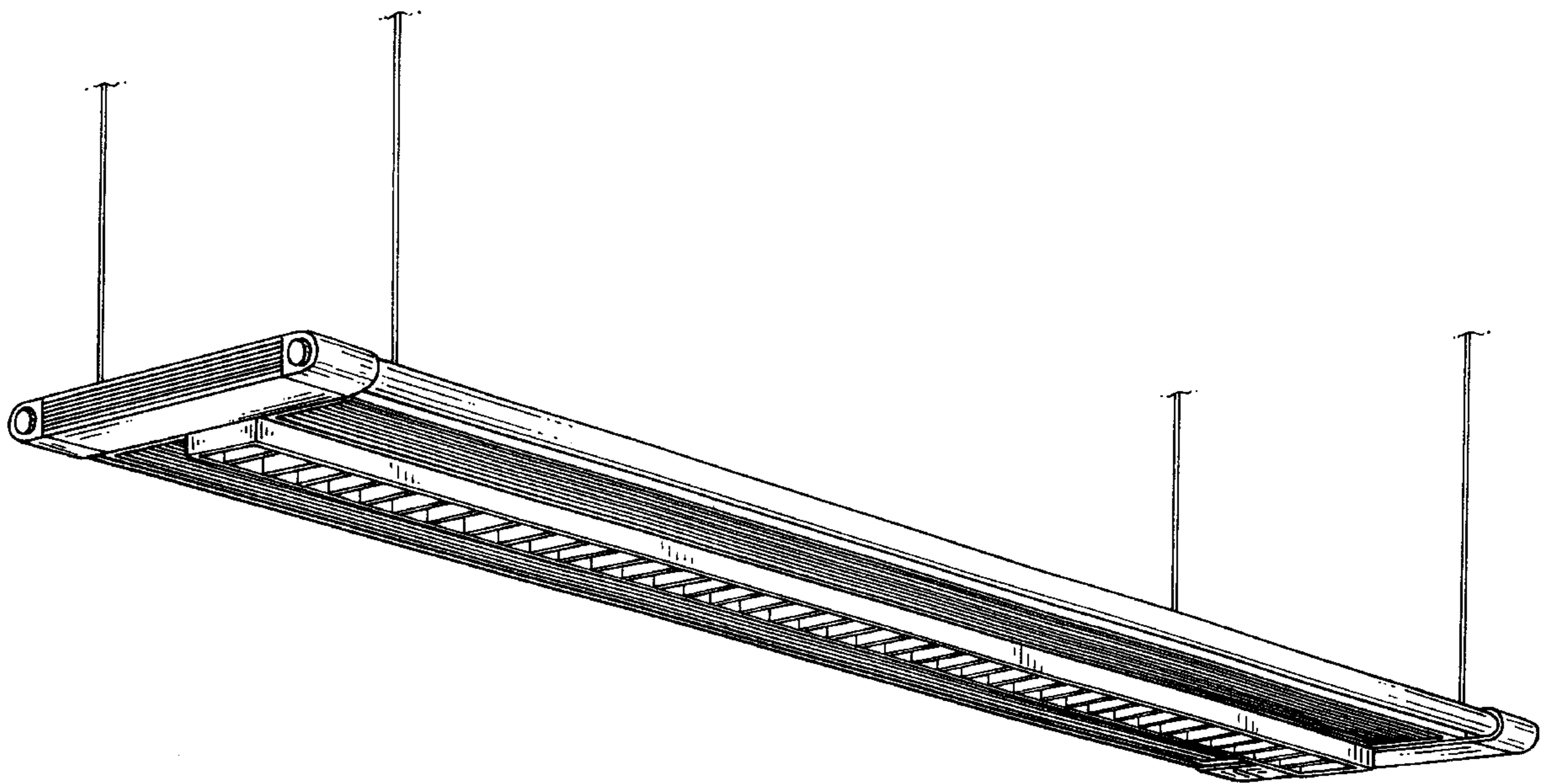


FIG. 1

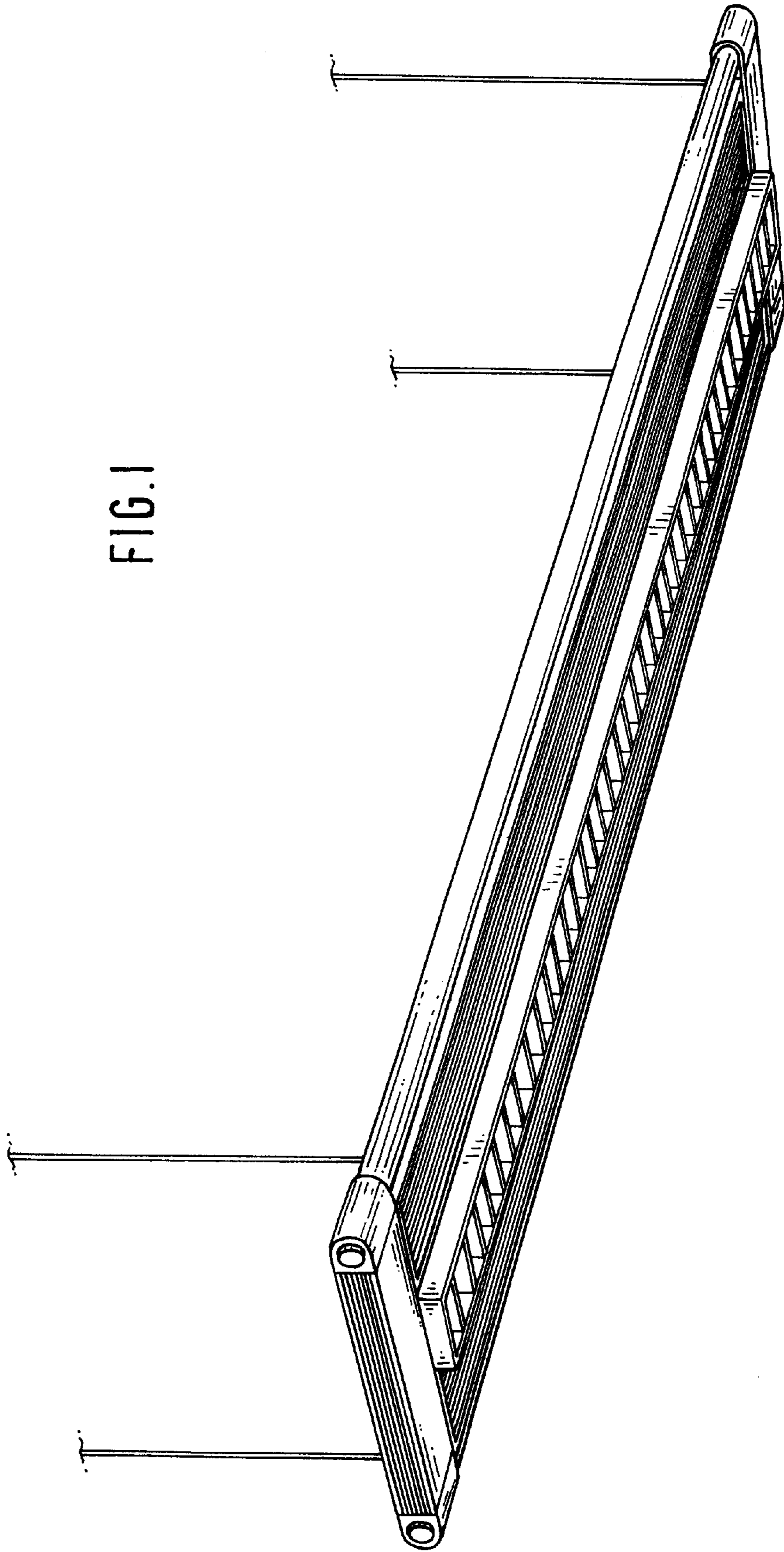


FIG. 2

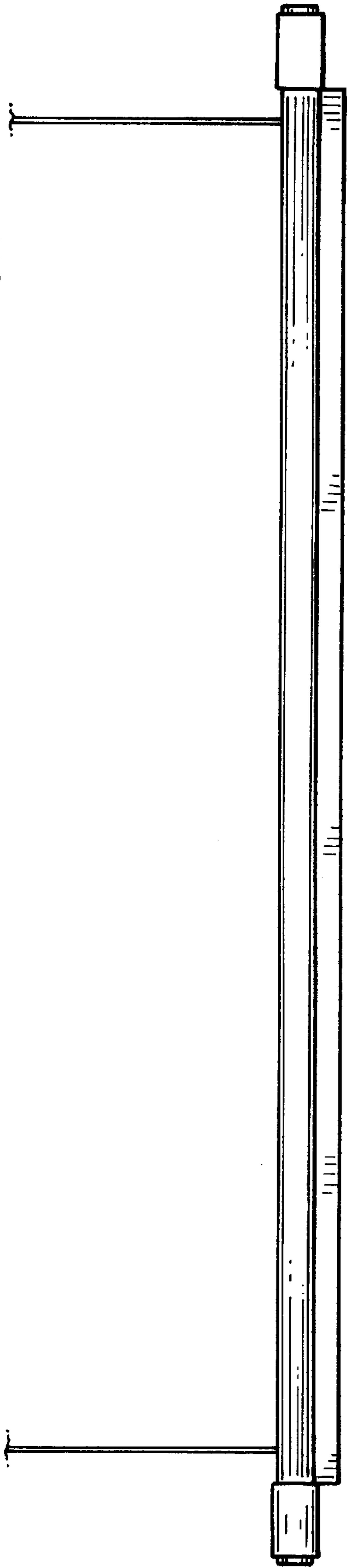


FIG. 3

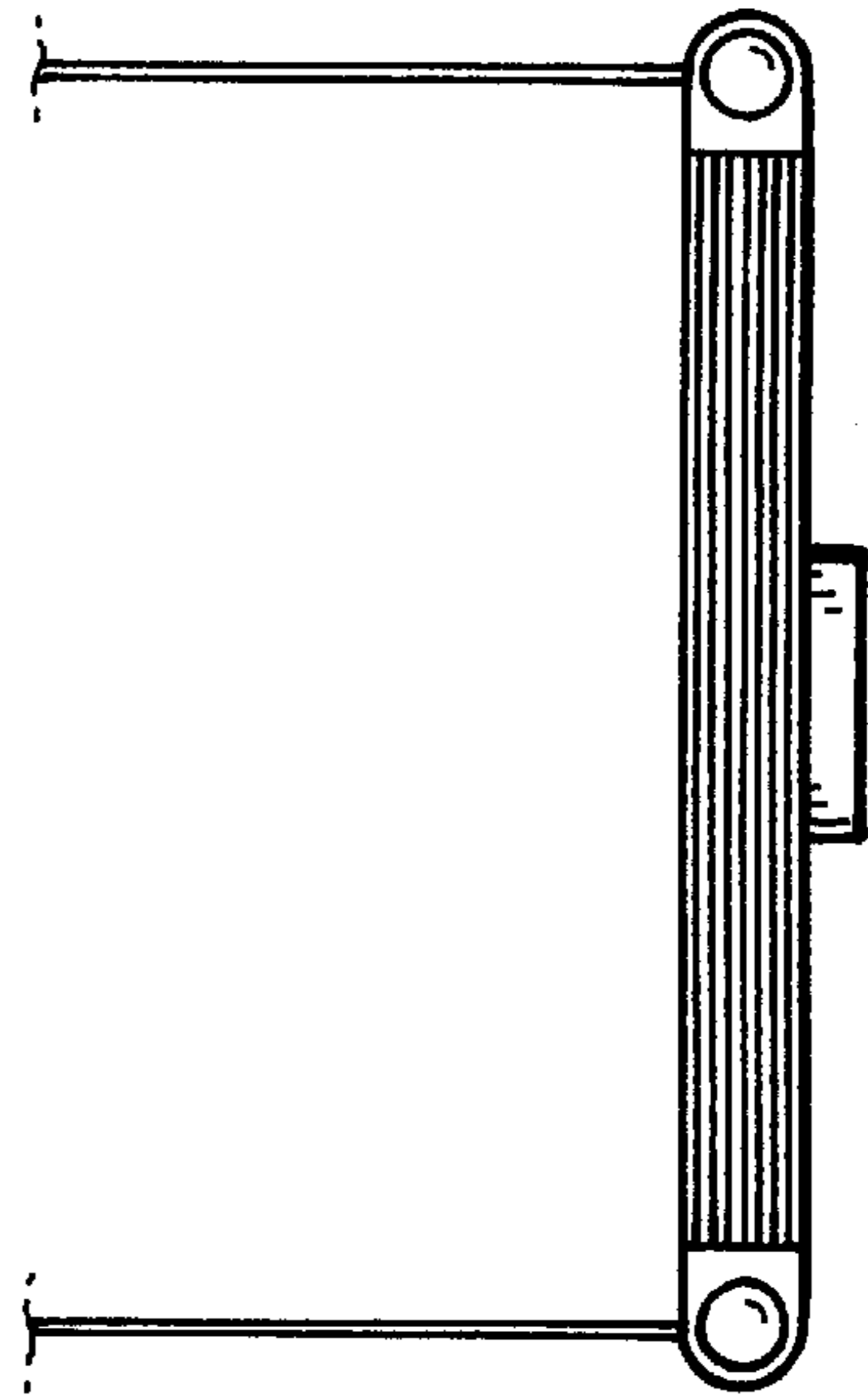


FIG. 4

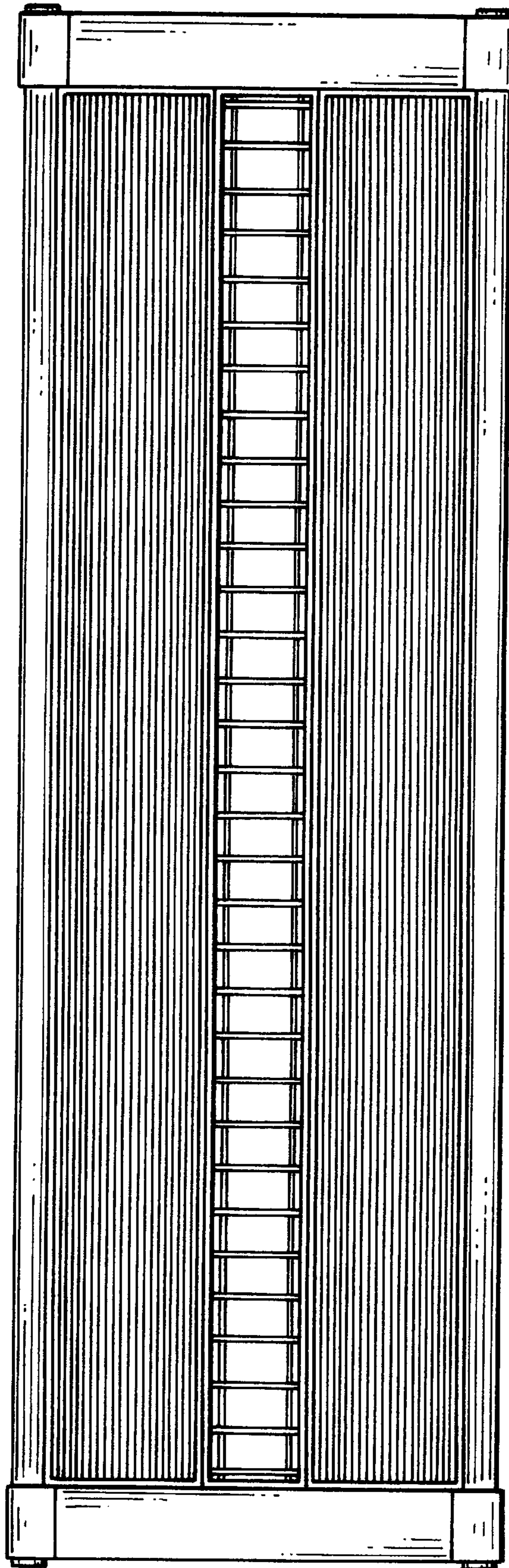


FIG. 5

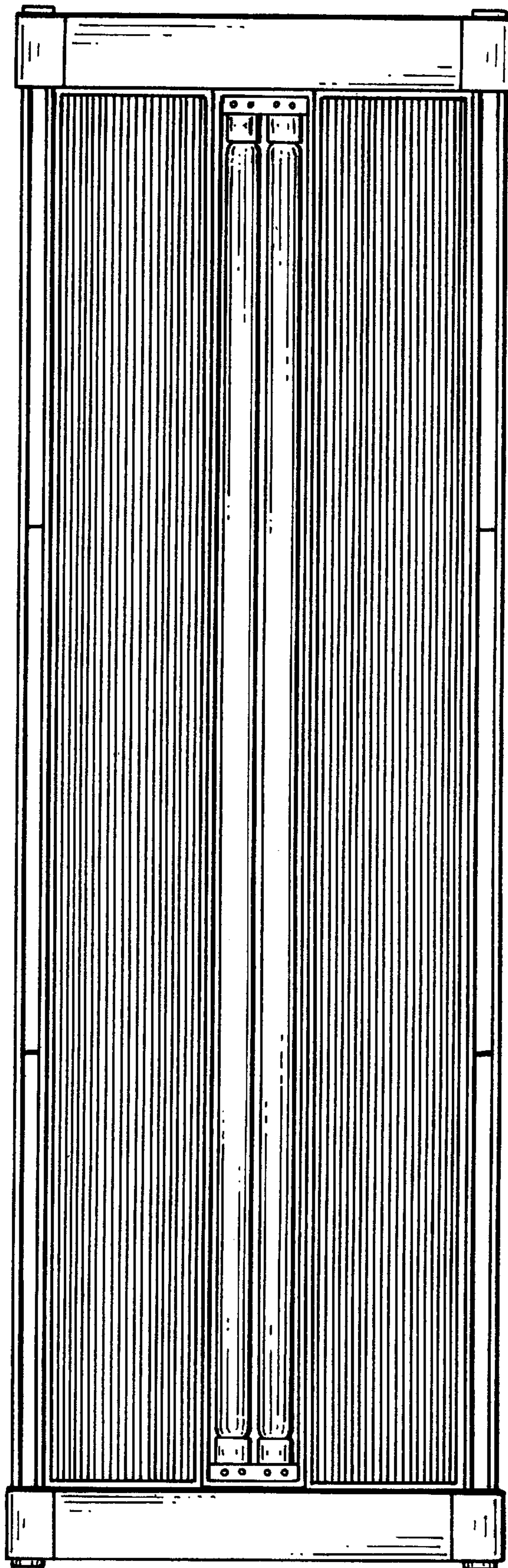


FIG. 6

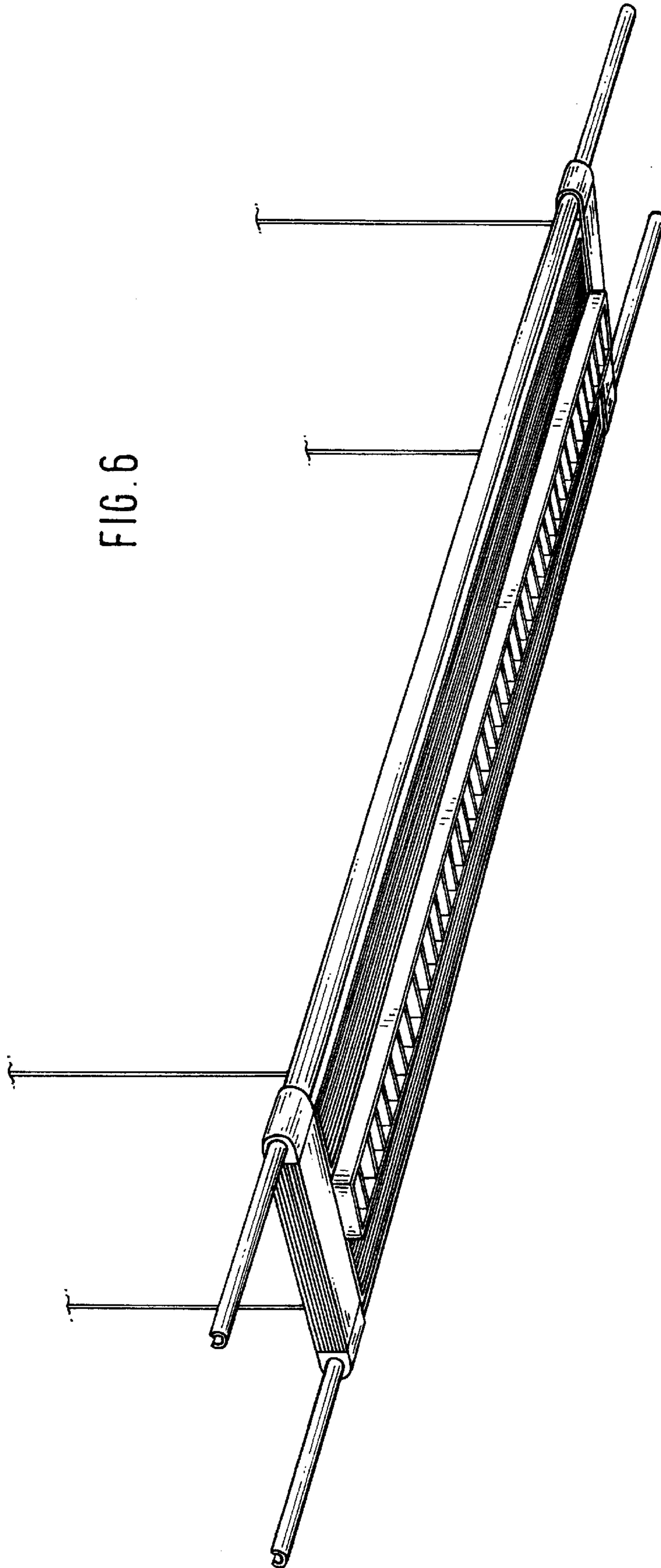


FIG. 7

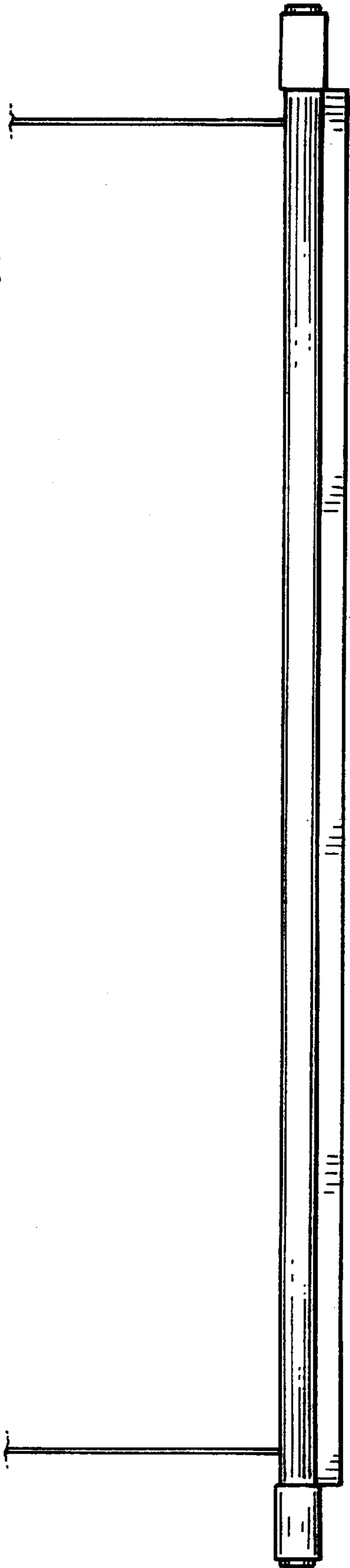


FIG. 8

