



US00D429352S

United States Patent [19] Weinstein

[11] Patent Number: Des. 429,352

[45] Date of Patent: ** Aug. 8, 2000

[54] NIGHT LIGHT

D. 409,317 5/1999 Yuen D26/26

[76] Inventor: Marc Chase Weinstein, 141 Halstead Ave., Mamaroneck, N.Y. 10543

Primary Examiner—Susan J. Lucas
Attorney, Agent, or Firm—Myron Amer PC

[**] Term: 14 Years

[57] CLAIM

[21] Appl. No.: 29/104,288

The ornamental design for a night light, as shown and described.

[22] Filed: May 3, 1999

DESCRIPTION

[51] LOC (7) Cl. 26-05

[52] U.S. Cl. D26/26

[58] Field of Search D26/26, 118, 73,
D26/85; 362/226, 147

FIG. 1 is a front elevational view of a night light showing my new design;

FIG. 2 is a right side elevational view thereof;

FIG. 3 is a rear elevational view thereof;

FIG. 4 is a left side elevational view thereof;

FIG. 5 is a bottom view thereof; and,

FIG. 6 is a top plan view thereof.

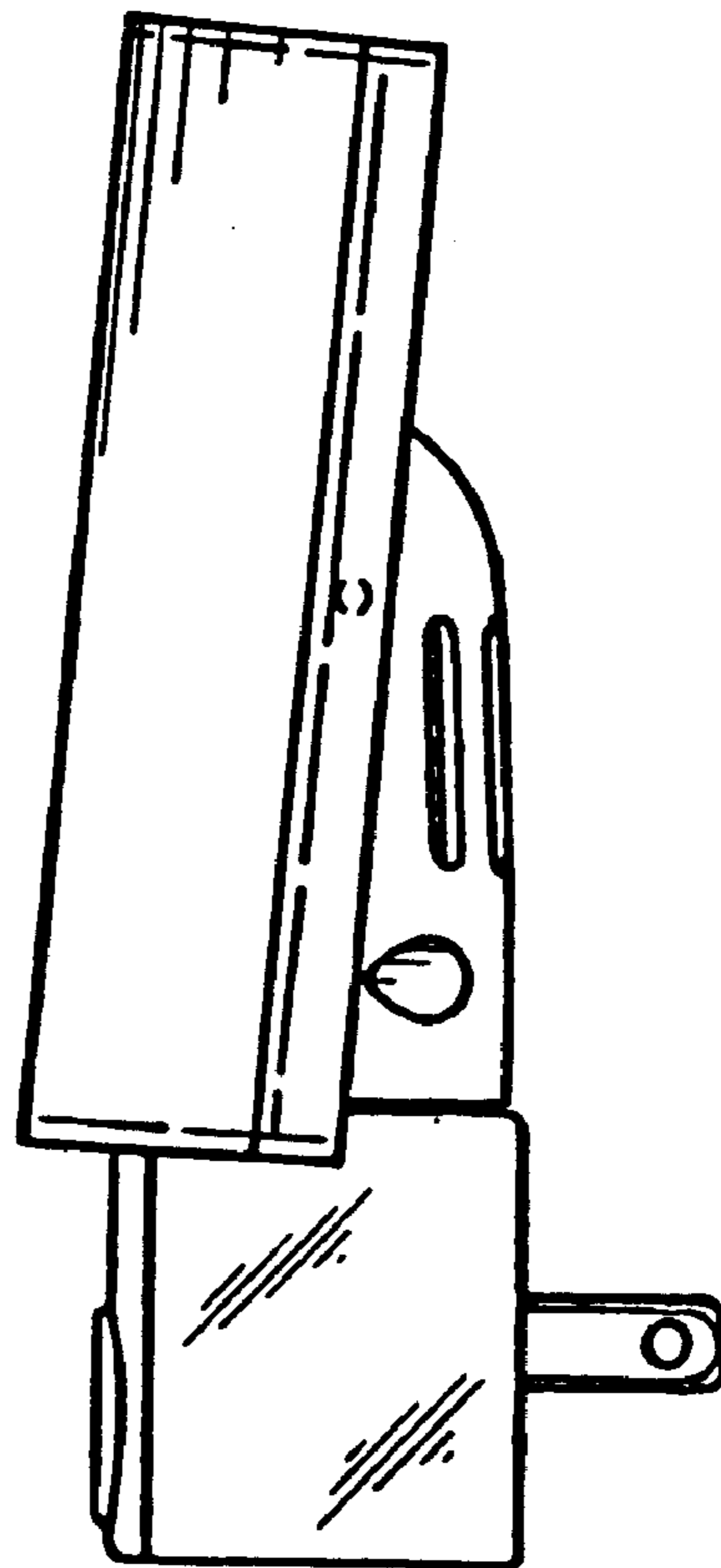
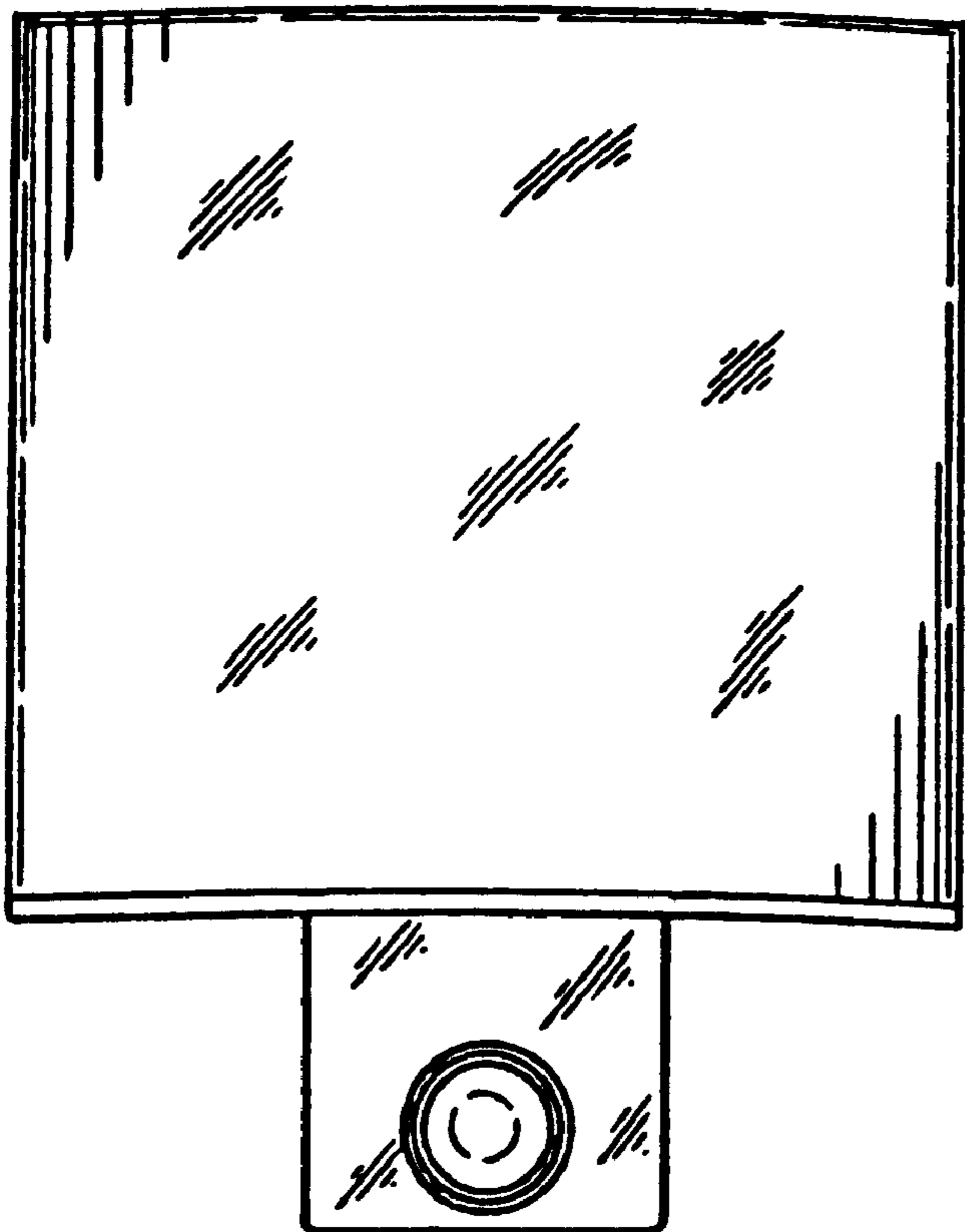
[56] References Cited

U.S. PATENT DOCUMENTS

D. 392,756 3/1998 Hanig et al. D26/26

D. 393,912 4/1998 Yuen D26/26

1 Claim, 1 Drawing Sheet



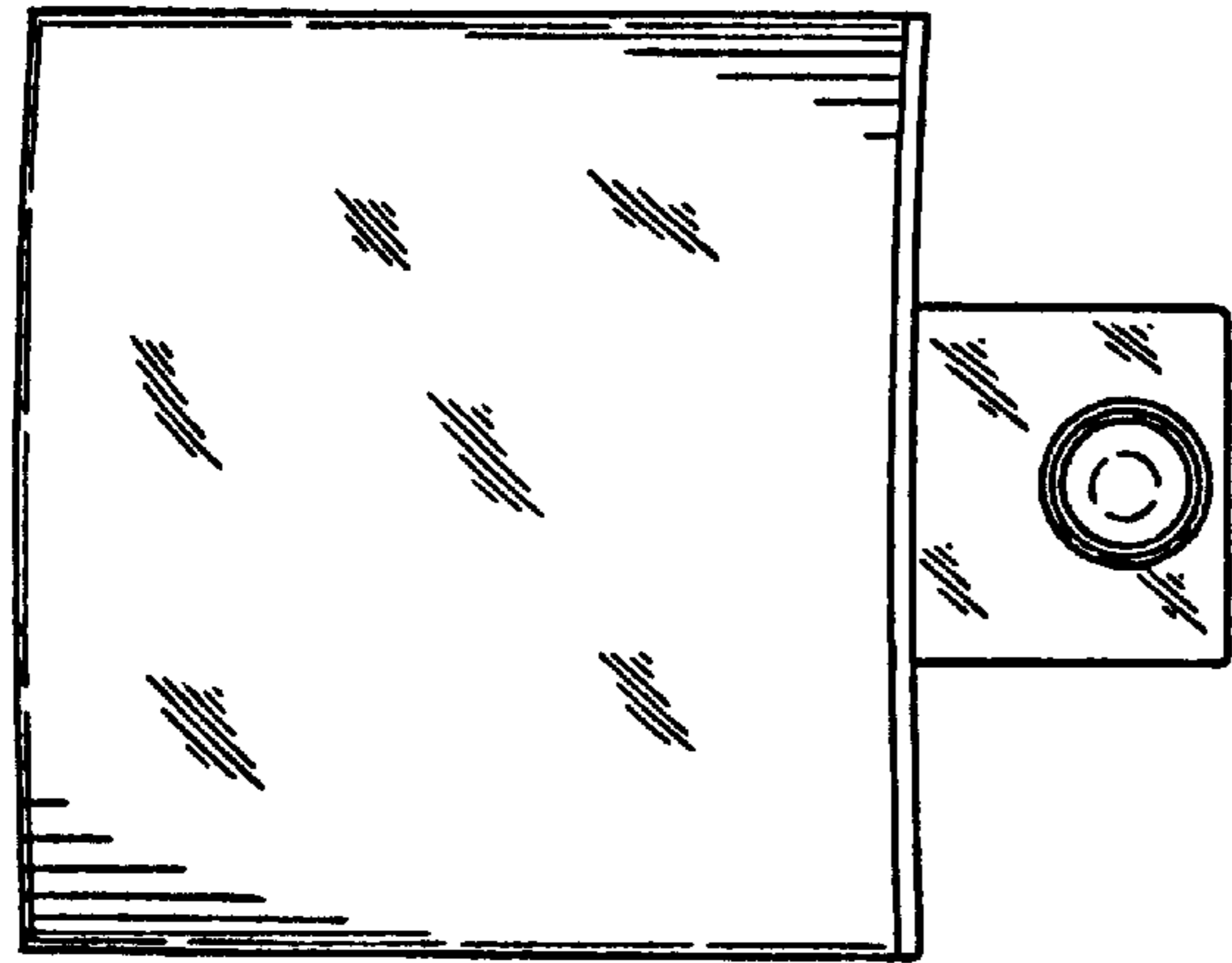


Fig. 1

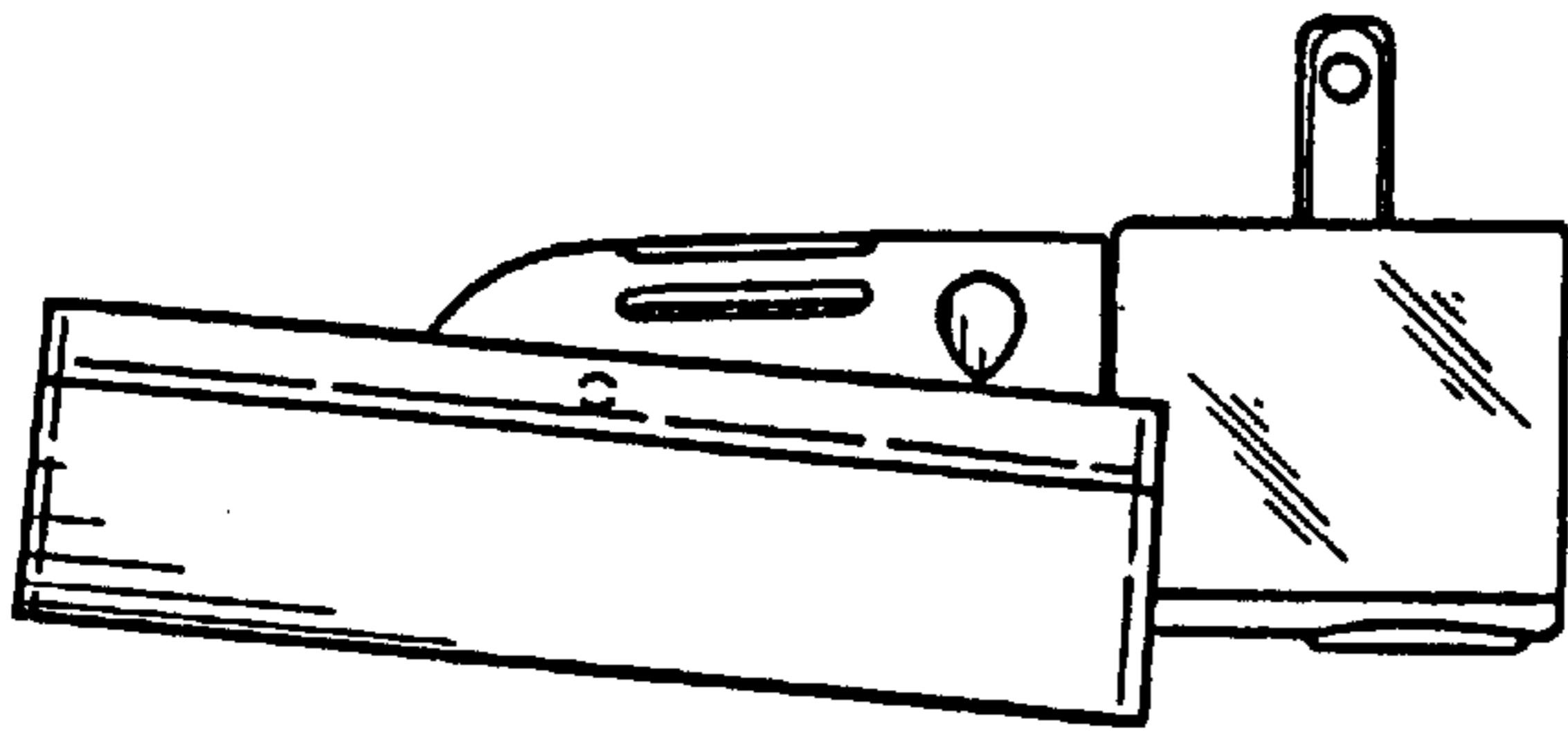


Fig. 2

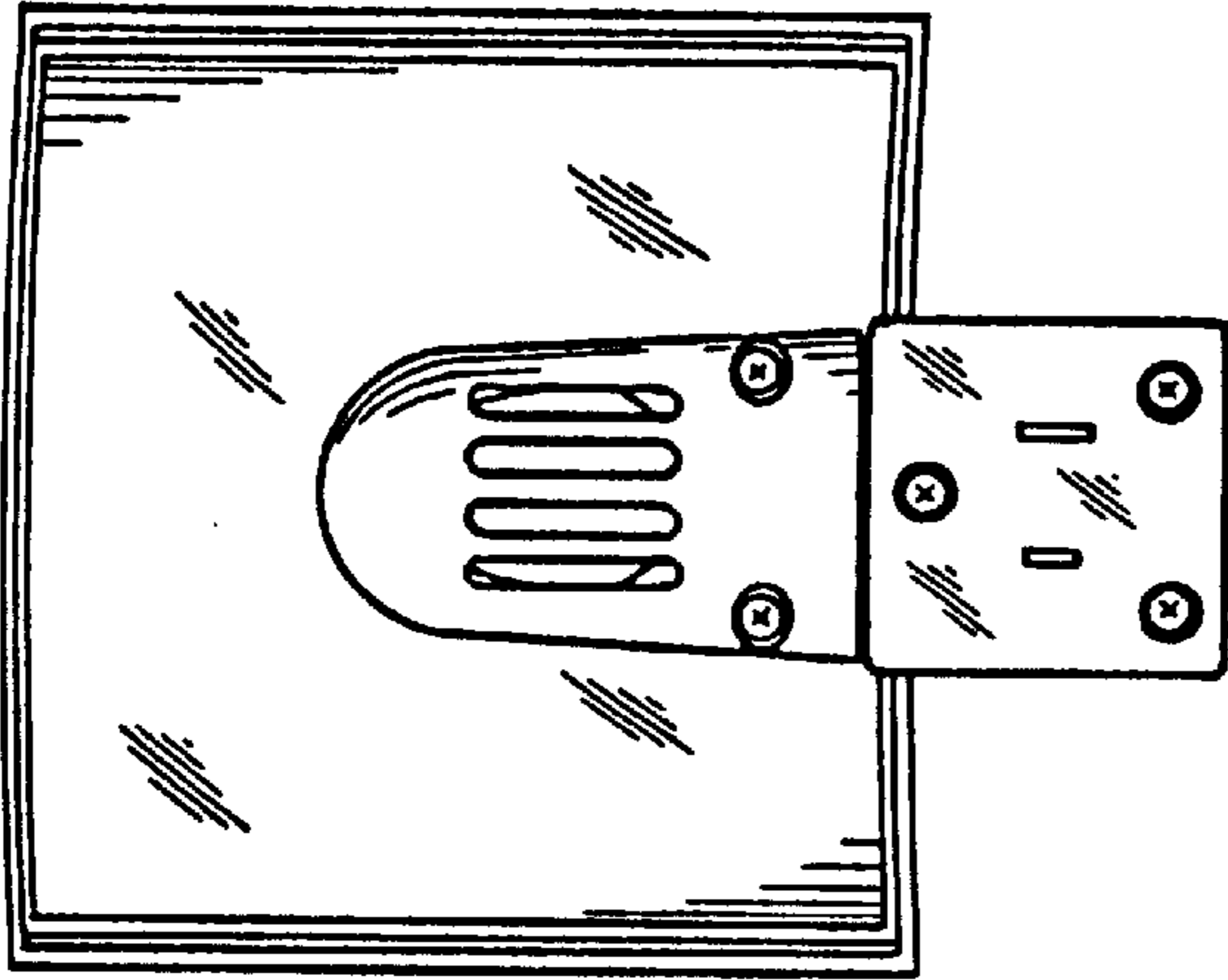


Fig. 3

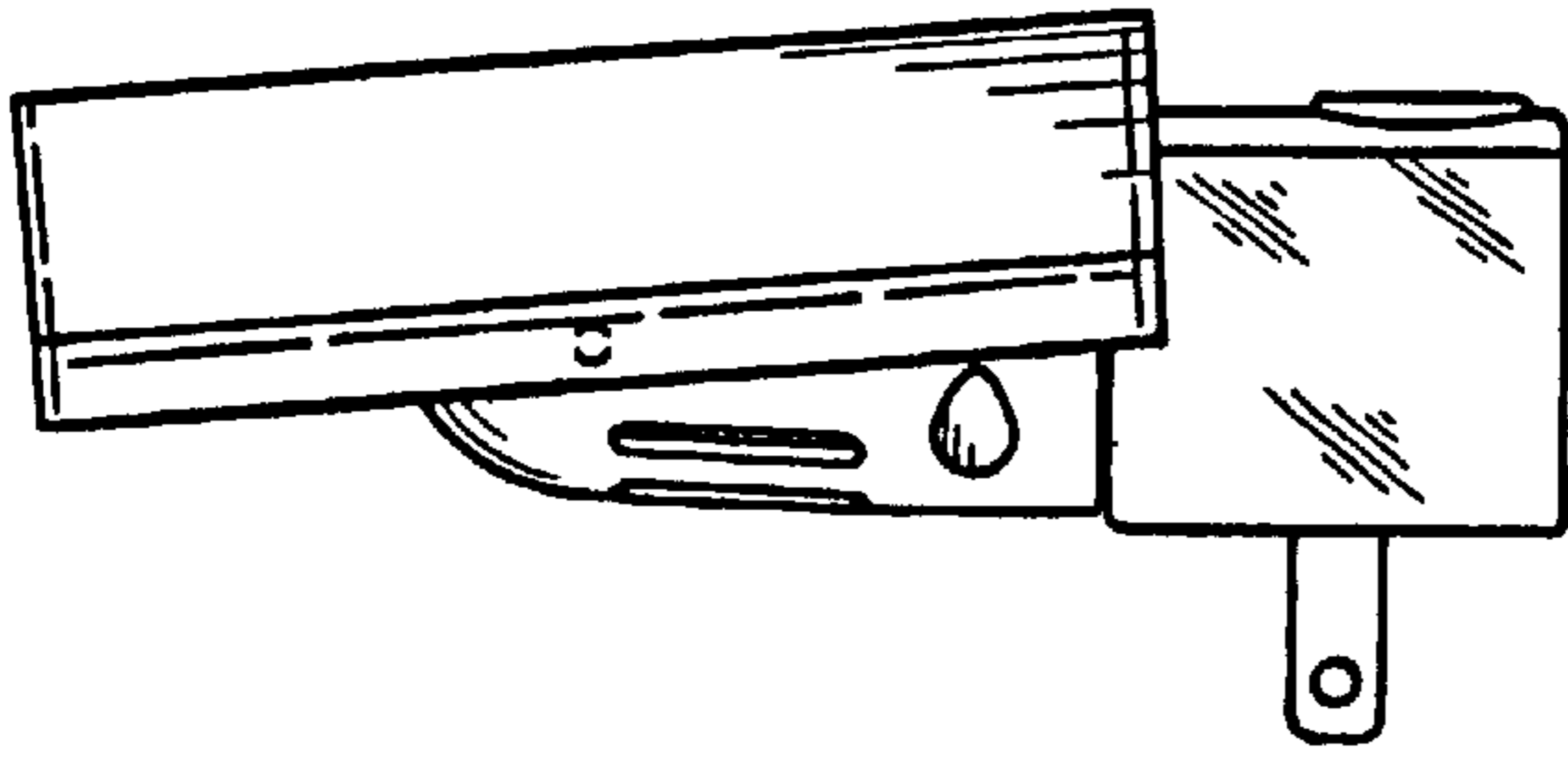


Fig. 4

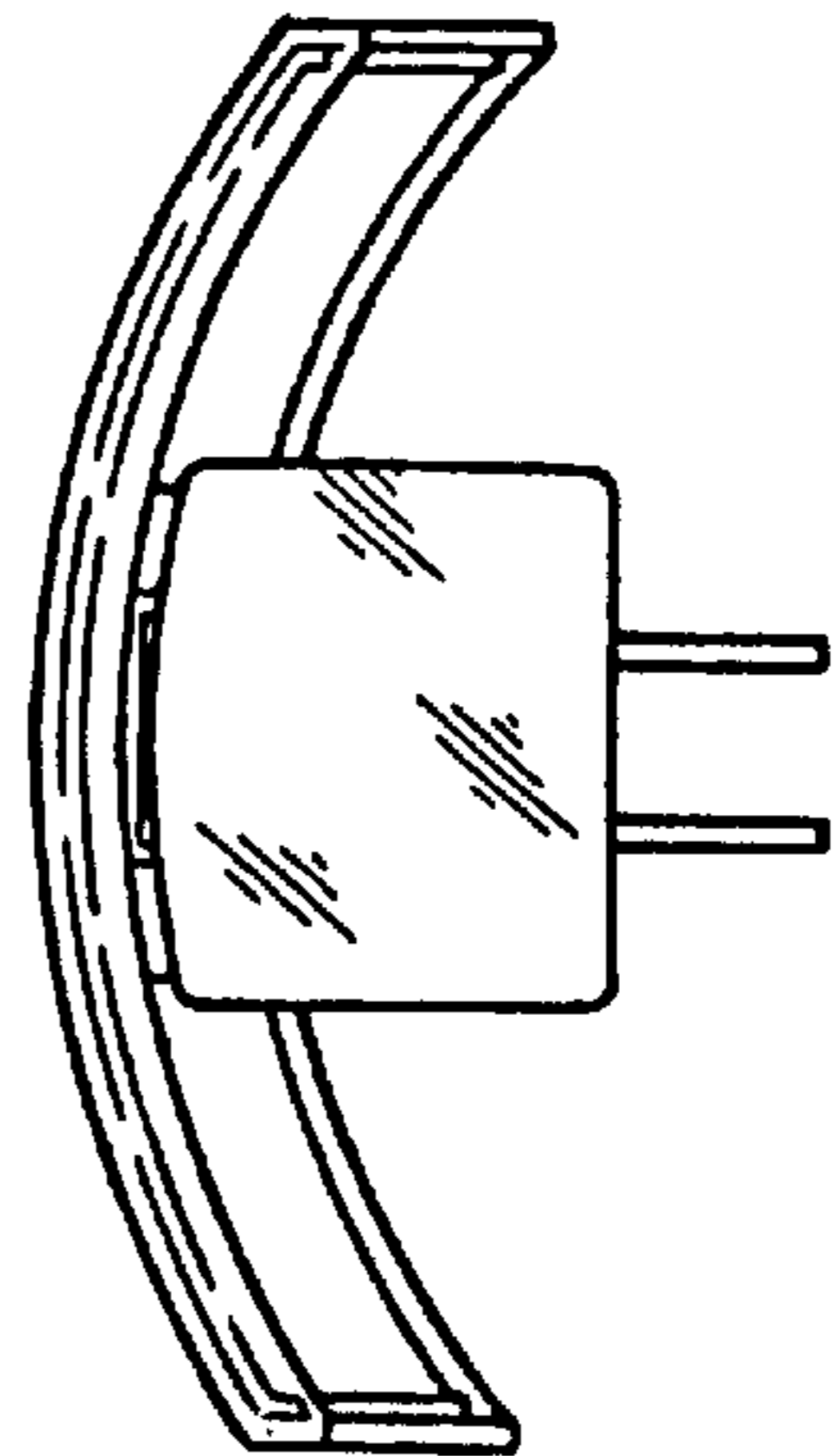


Fig. 5

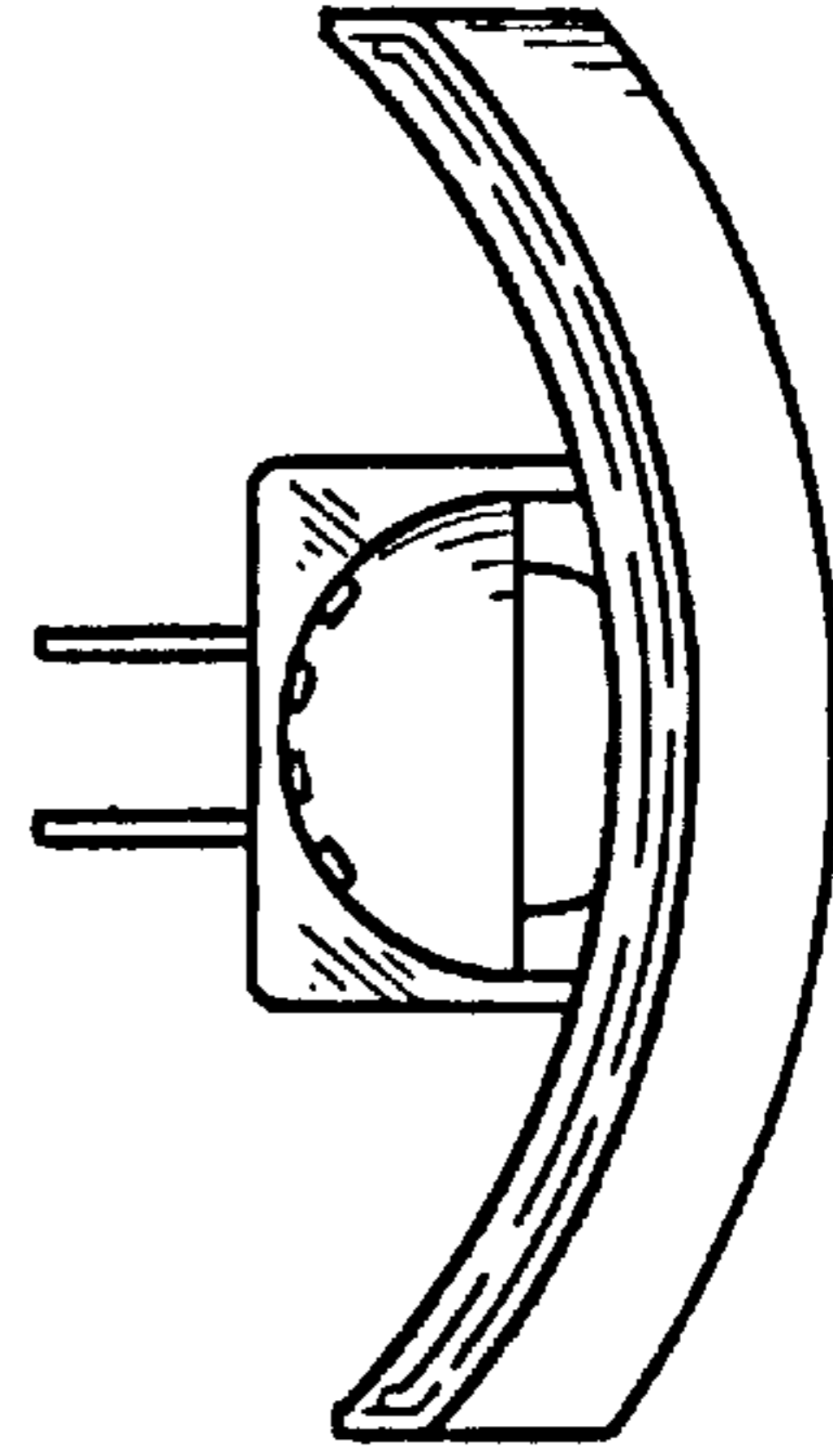


Fig. 6