



US00D429351S

**United States Patent** [19]  
**Grether**

[11] **Patent Number: Des. 429,351**

[45] **Date of Patent: \*\* Aug. 8, 2000**

[54] **STRING OF CROSS LIGHTS**  
[75] Inventor: **Connie L. Grether**, Crystal Lake, Ill.  
[73] Assignee: **Millennium Cross Light Company, Inc.**, Edwardsville, Ill.  
[\*\*] Term: **14 Years**

D. 370,282 5/1996 Grether ..... D26/4  
D. 379,330 5/1997 Krizan ..... D11/96  
D. 398,408 9/1998 Lin ..... D26/25  
D. 402,586 12/1998 Johnson et al. .... D11/130  
2,114,194 4/1938 Sadacca ..... 362/808  
5,255,170 10/1993 Plamp et al. .... 362/808

[21] Appl. No.: **29/108,712**  
[22] Filed: **Aug. 2, 1999**  
[51] **LOC (7) Cl.** ..... **26-04**  
[52] **U.S. Cl.** ..... **D26/25**  
[58] **Field of Search** ..... D26/25, 4, 94,  
D26/103, 104; D11/117, 119, 118, 125,  
175, 96, 130, 124, 122, 157; 362/806, 808,  
226; D99/27, 23

**OTHER PUBLICATIONS**

The cost Connection Recreational Catalog., p. 106, every item on page, Jun. 1986.

*Primary Examiner*—Cynthia E Ramirez  
*Attorney, Agent, or Firm*—Grace J. Fishel

[56] **References Cited**  
**U.S. PATENT DOCUMENTS**

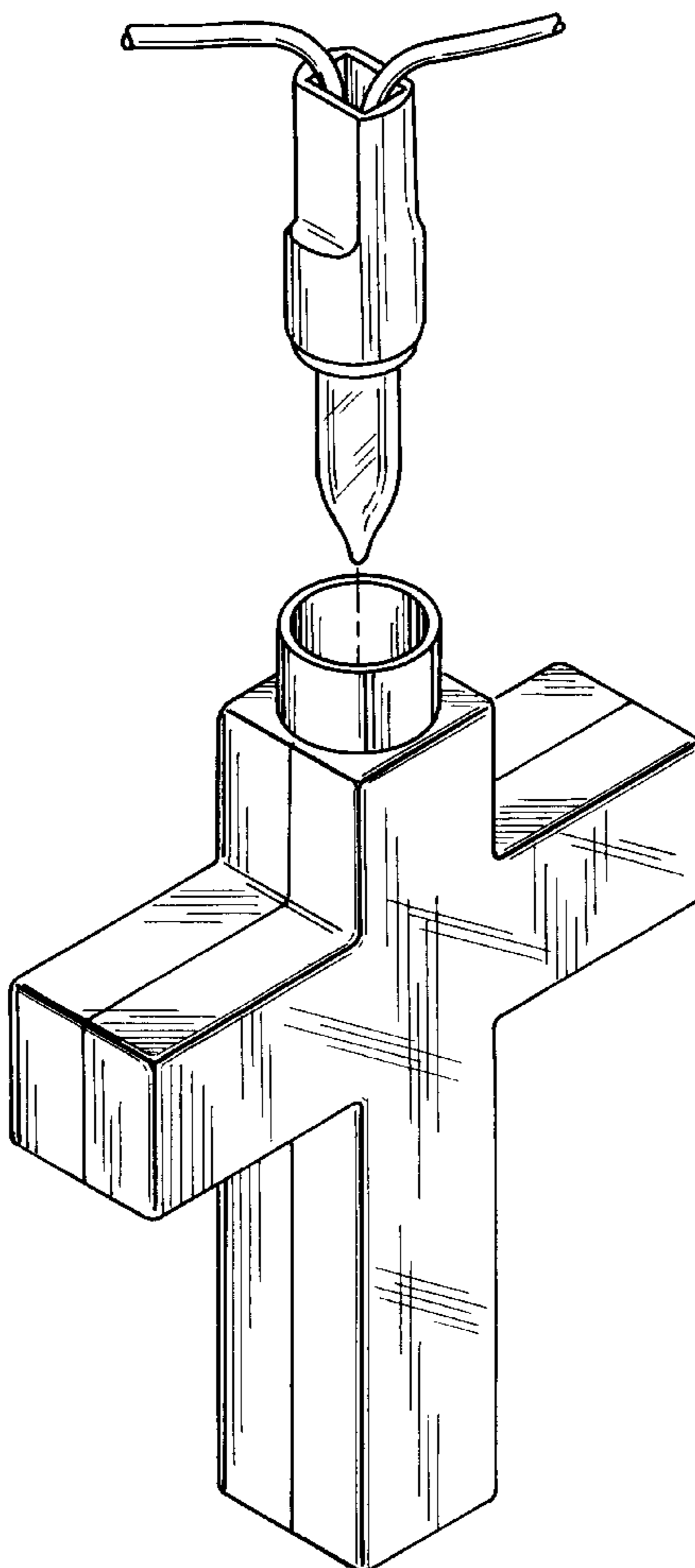
D. 236,631 9/1975 Ahroni ..... D11/117  
D. 293,028 12/1987 Yother et al. .... D26/94 X  
D. 338,081 8/1993 Klaffer ..... D26/94  
D. 338,315 8/1993 Larson ..... D99/27  
D. 351,915 10/1994 Hermanson ..... D26/25  
D. 355,268 2/1995 Openiano ..... D26/25

[57] **CLAIM**  
The ornamental design for a string of cross lights, as shown.

**DESCRIPTION**

FIG. 1 is a perspective view of a string of cross lights showing my new design;  
FIG. 2 is a front view thereof;  
FIG. 3 is a top view thereof;  
FIG. 4 is a side view thereof; and,  
FIG. 5 is a bottom view thereof.  
The cable on the light string is shown broken off to show indefinite length.

**1 Claim, 2 Drawing Sheets**



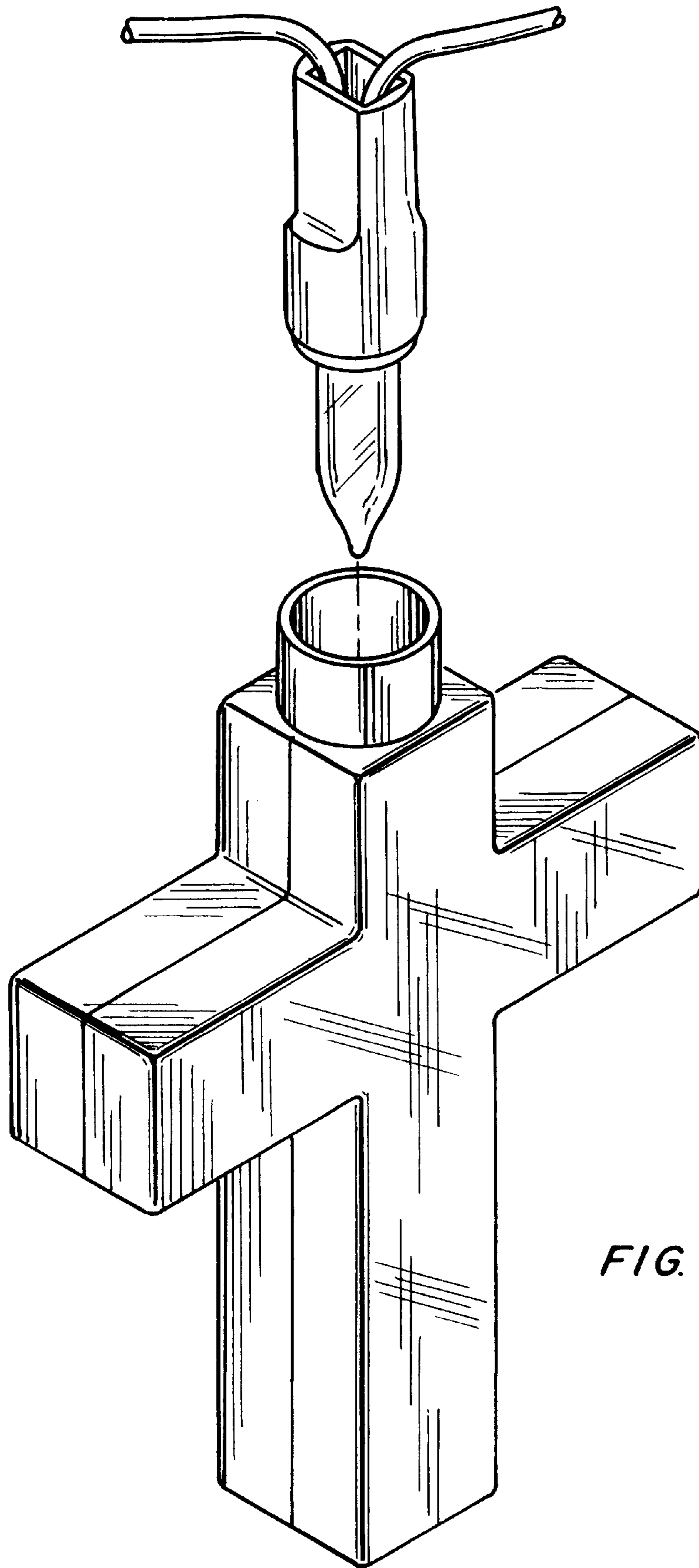


FIG. 1

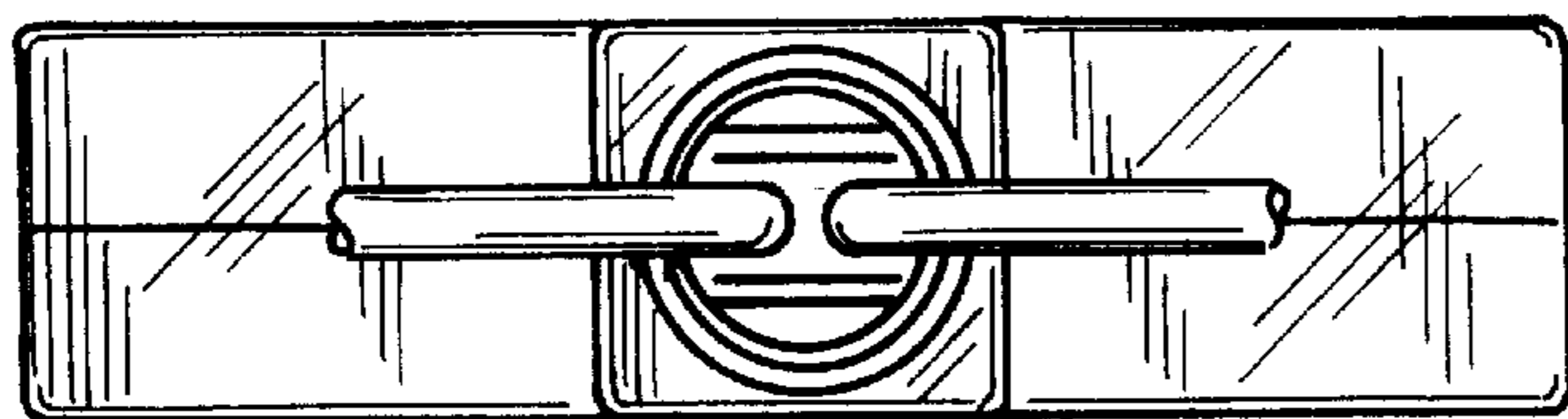


FIG. 3

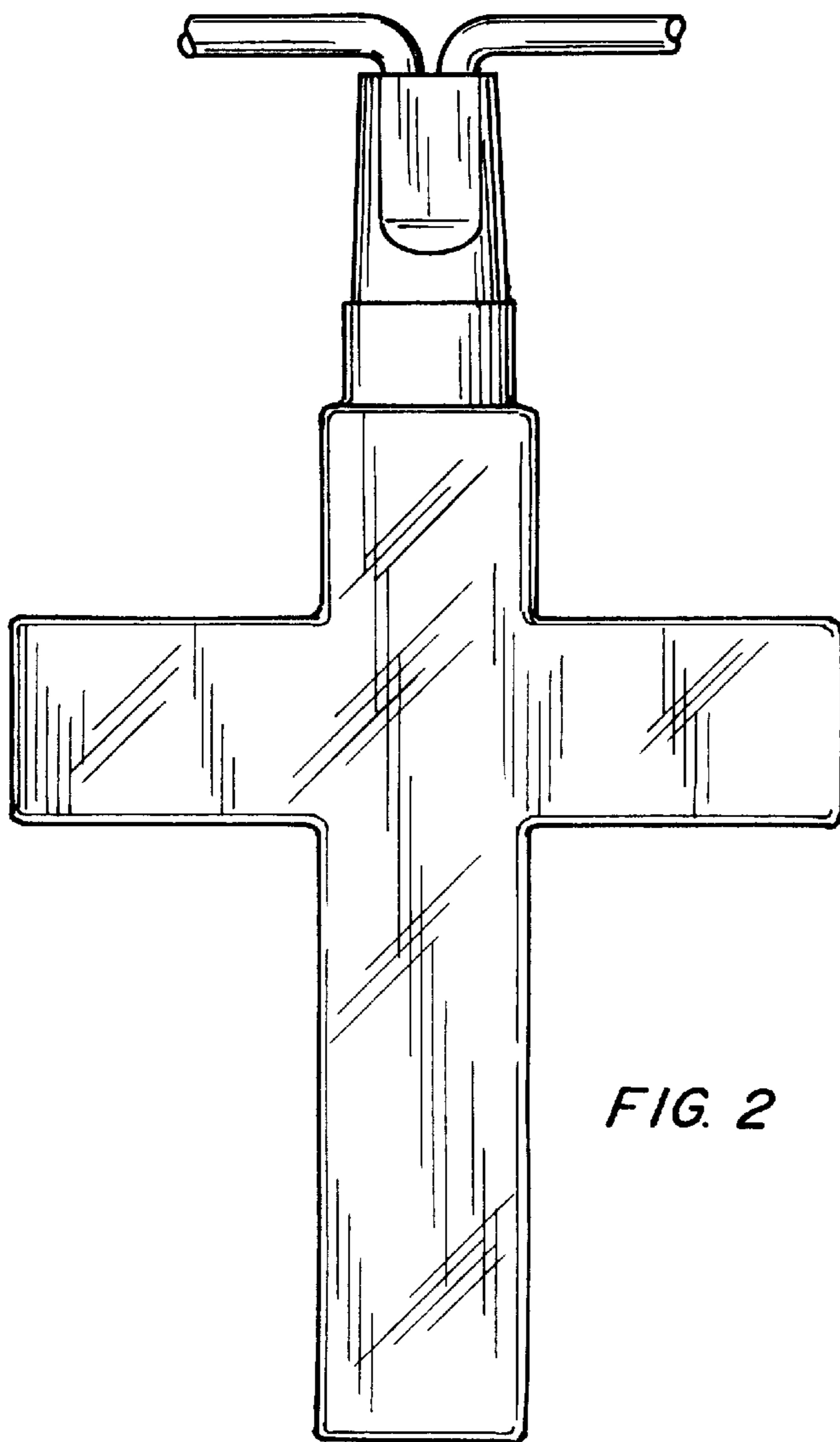


FIG. 2

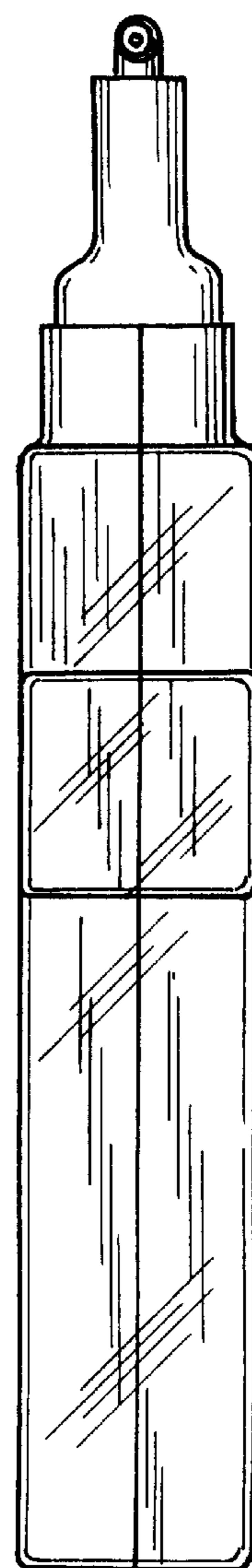


FIG. 4

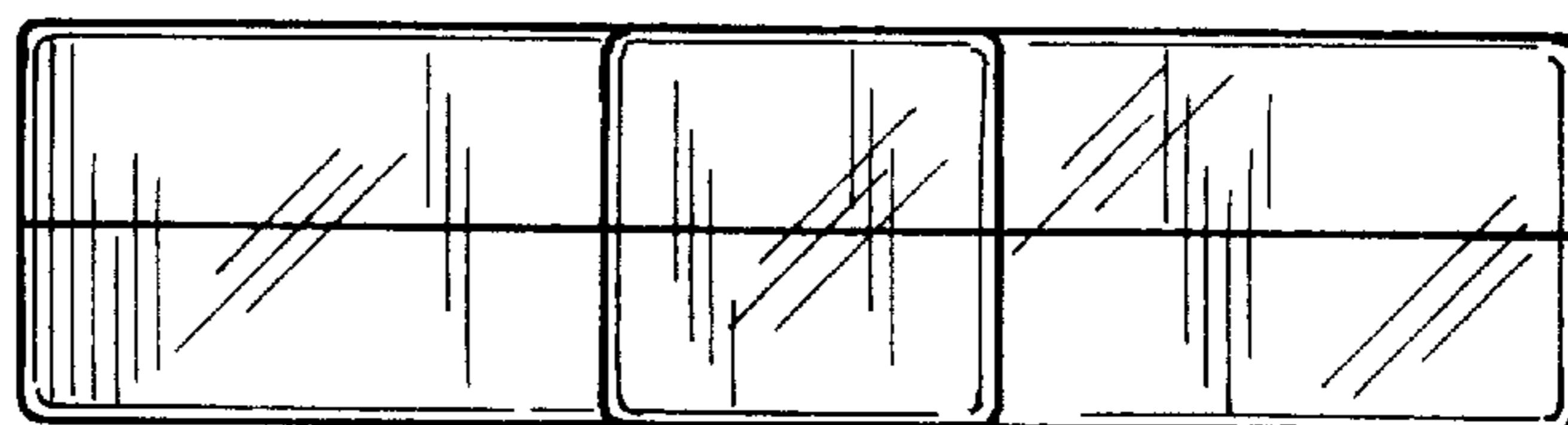


FIG. 5