



US00D429347S

United States Patent [19]
Doyle et al.

[11] **Patent Number: Des. 429,347**

[45] **Date of Patent: ** Aug. 8, 2000**

[54] **COMPOSITE DECK EXTRUSION**

[75] Inventors: **John J. Doyle**, Cincinnati; **Kurt S. Eyring**, Centerville; **Ken R. Schibi**, Cincinnati, all of Ohio

[73] Assignee: **Composite Deck Solutions, LLC**, Dayton, Ohio

[**] Term: **14 Years**

[21] Appl. No.: **29/107,916**

[22] Filed: **Jul. 15, 1999**

[51] **LOC (7) Cl.** **25-01**

[52] **U.S. Cl.** **D25/124**

[58] **Field of Search** D25/122, 124;
14/73

[56] **References Cited**

U.S. PATENT DOCUMENTS

3,722,473 3/1973 Vickstrom et al. D25/122
5,483,716 1/1996 Burnaman 14/73

Primary Examiner—Doris Clark

Attorney, Agent, or Firm—Jacox, Meckstroth & Jenkins

[57] **CLAIM**

The ornamental design of a composite deck extrusion, as shown and described.

DESCRIPTION

The FIGURE is a perspective view of a composite deck extrusion with a middle portion broken away disclosing indefinite length and showing our new design;

1 Claim, 1 Drawing Sheet

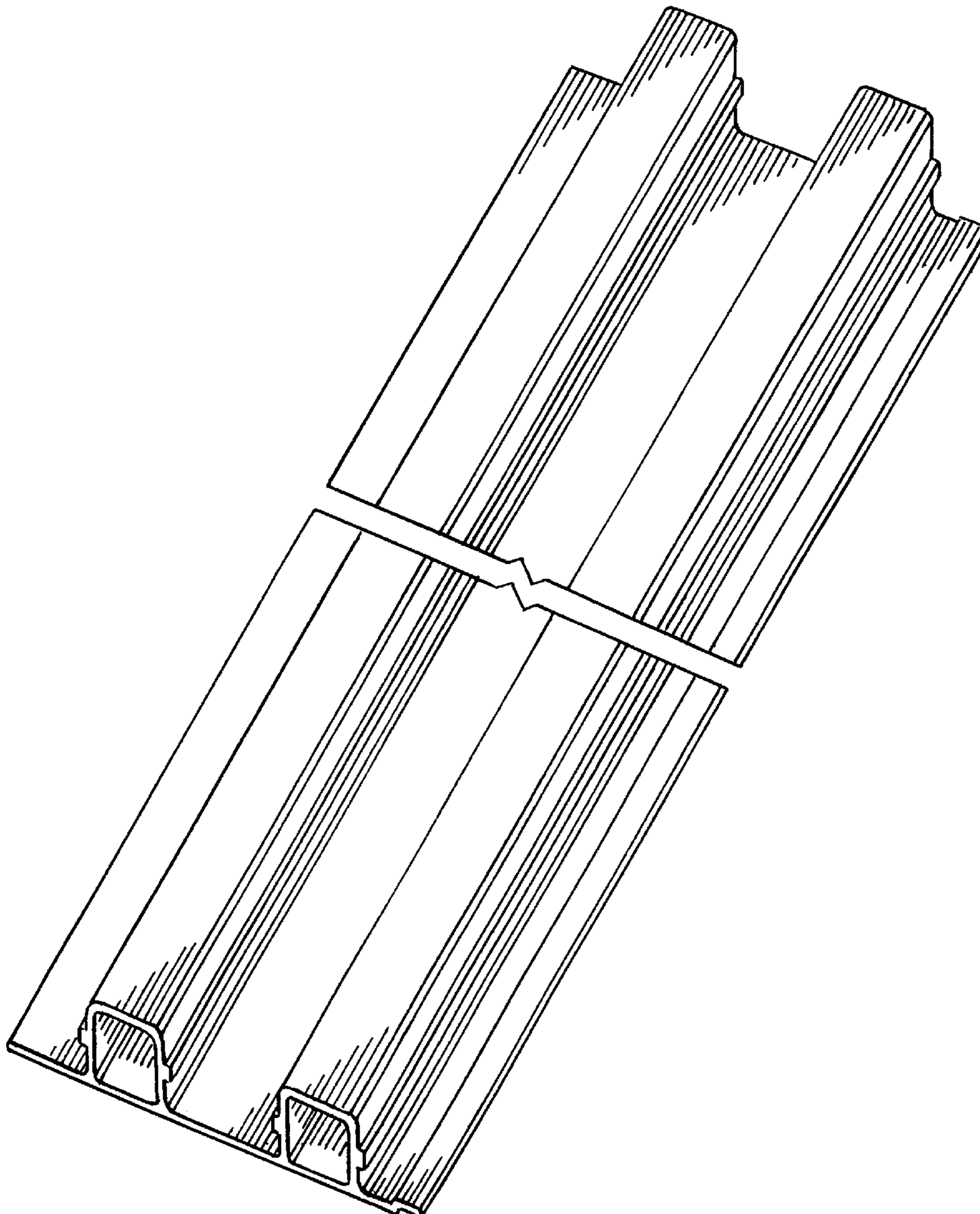


FIG-1

