



US00D429346S

United States Patent [19]

Martin, Jr.

[11] Patent Number: Des. 429,346

[45] Date of Patent: ** Aug. 8, 2000

[54] BLOCK

[76] Inventor: Robert Martin, Jr., 1305 Rochester Rd., Oakland Township, Mich. 48363

[**] Term: 14 Years

[21] Appl. No.: 29/110,366

[22] Filed: Sep. 3, 1999

[51] LOC (7) Cl. 25-01

[52] U.S. Cl. D25/117

[58] Field of Search D25/102, 113-118, D25/164; D21/484-486, 489-491, 499-505; 52/852.1, 588.1, 596, 604-609, 612; 404/34, 37-42; 405/284-286

[56] **References Cited**

U.S. PATENT DOCUMENTS

| | | | |
|-----------|---------|---------|---------|
| 2,127,914 | 8/1938 | Hadland | 52/606 |
| 2,201,110 | 5/1940 | Makram | D25/113 |
| 3,780,484 | 12/1973 | Muse | 52/596 |

| | | | |
|-----------|---------|-------------------|---------|
| 4,860,515 | 8/1989 | Browning, Jr. | 52/604 |
| 5,123,222 | 6/1992 | Guarriello et al. | 52/594 |
| 5,465,542 | 11/1995 | Terry | D25/118 |
| 5,715,635 | 2/1998 | Sherwood | 52/612 |

Primary Examiner—Louis S. Zarfes
Assistant Examiner—Robert A. Delehanty
Attorney, Agent, or Firm—Bliss McGlynn, P.C.

[57] **CLAIM**

The ornamental design for a block, as shown and described.

DESCRIPTION

FIG. 1 is perspective view of a block showing my new design;
FIG. 2 is a top view thereof;
FIG. 3 is a front elevation view thereof it being understood the rear is a mirror image thereof;
FIG. 4 is a right elevation side view thereof it being understood the left side is a mirror image there; and,
FIG. 5 is a bottom end view thereof.

1 Claim, 1 Drawing Sheet

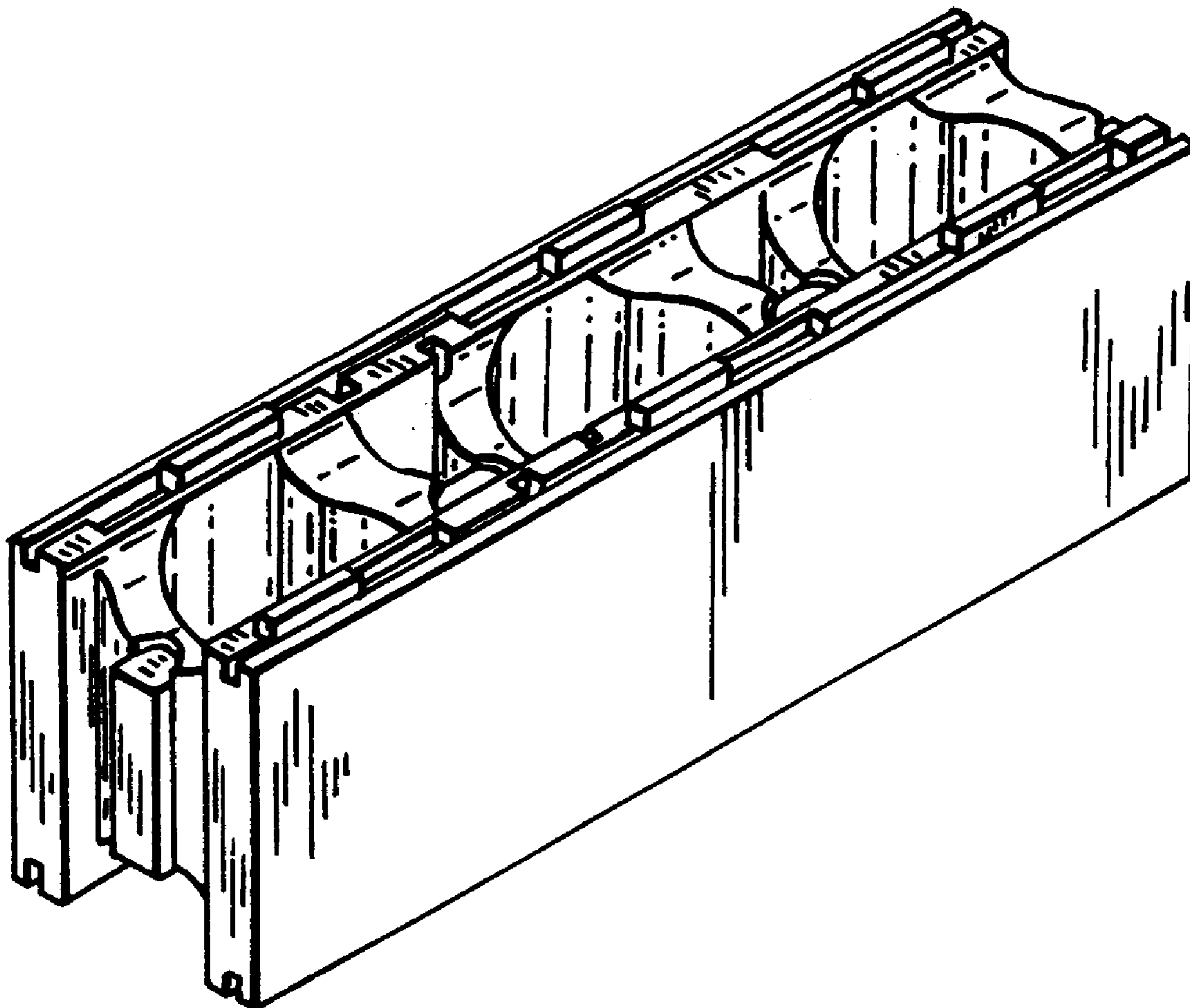


Fig. 1.

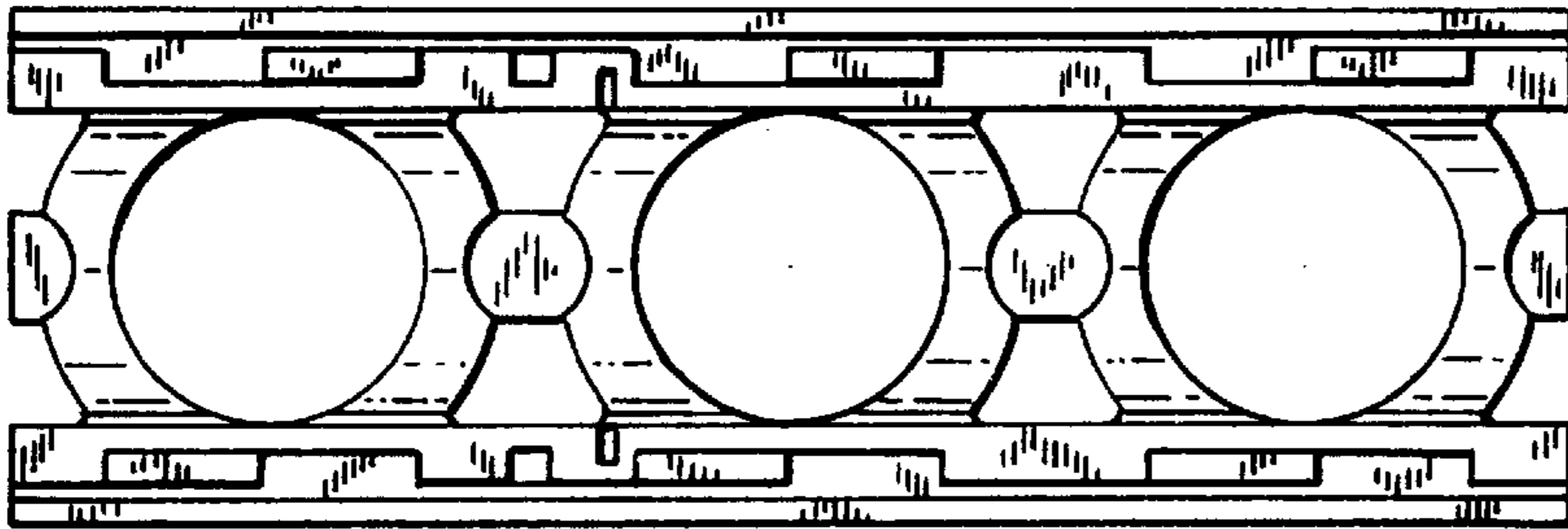
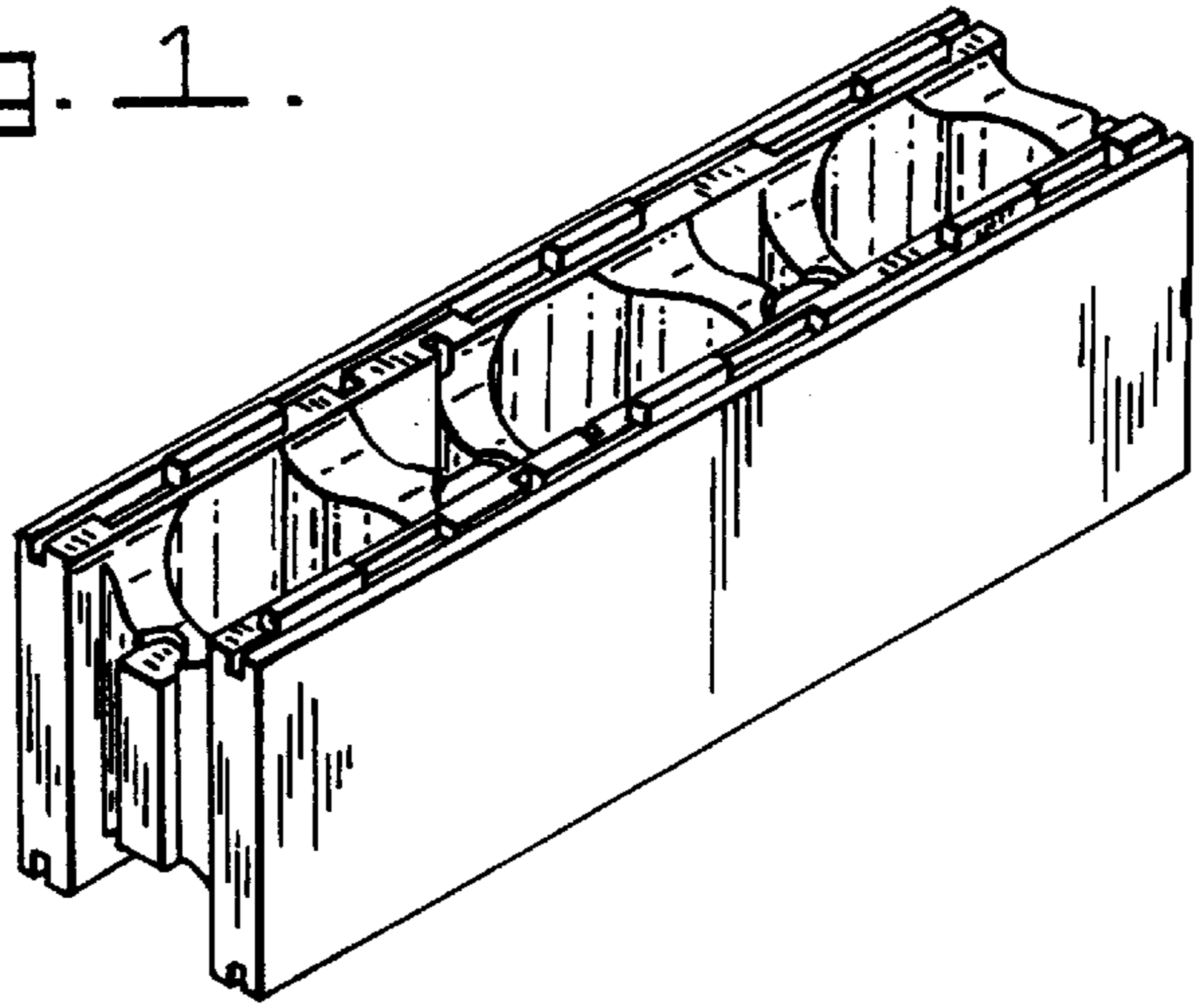


Fig. 2.

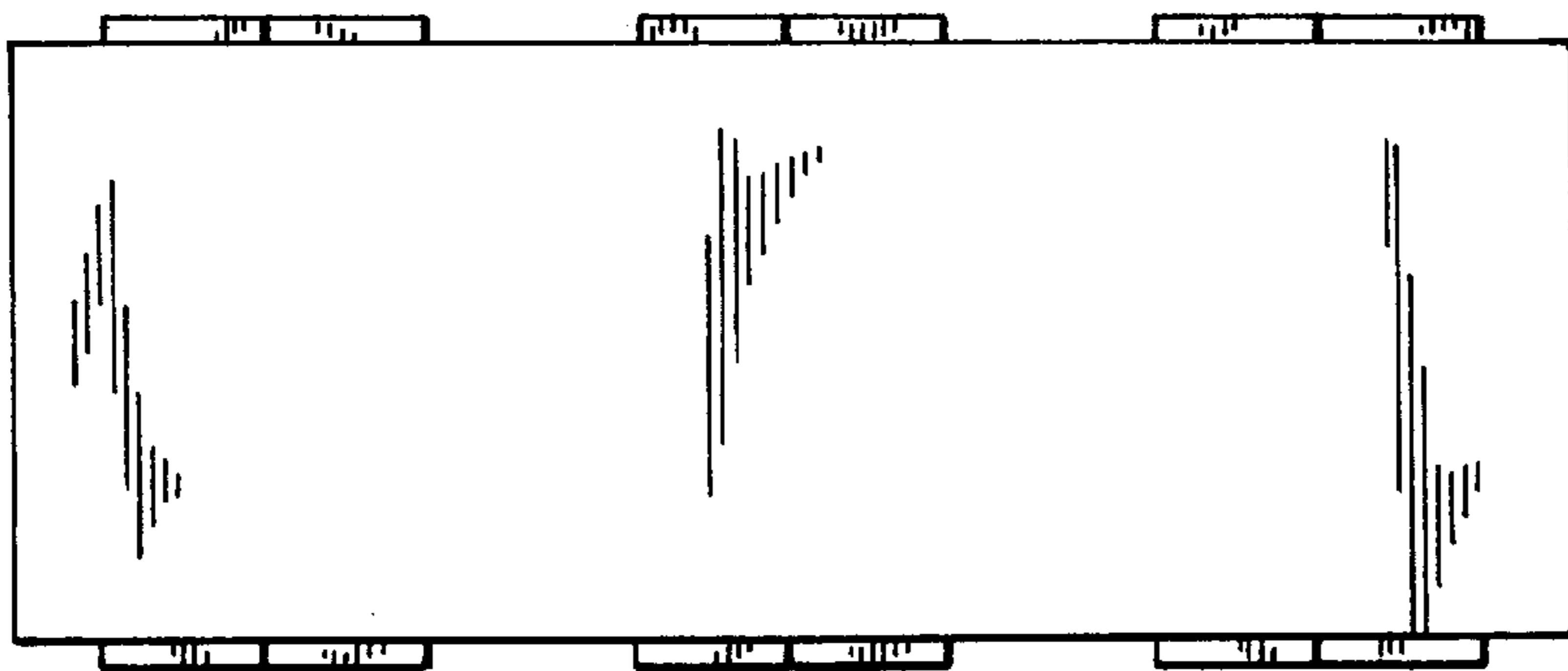


Fig. 3.

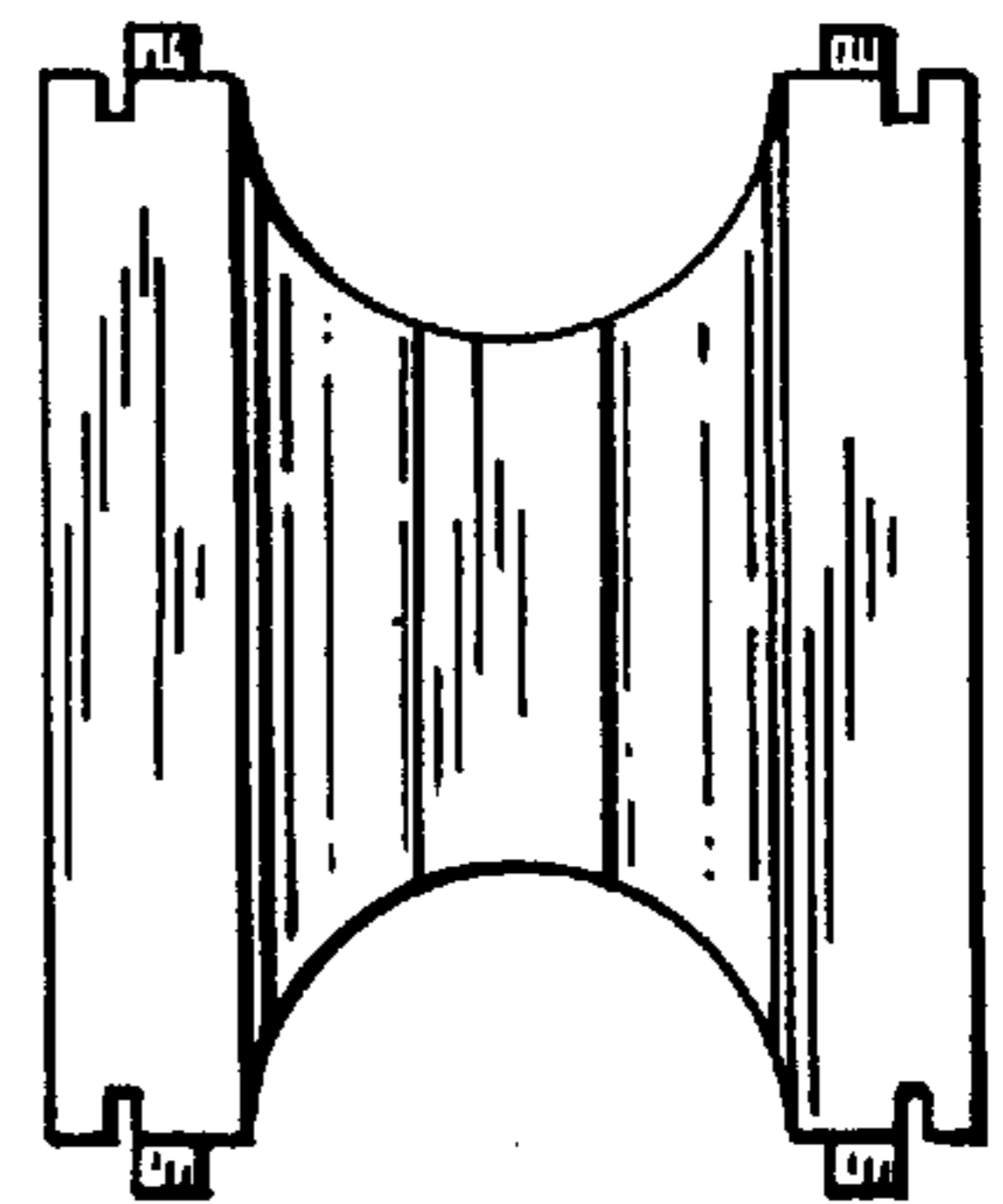


Fig. 4.

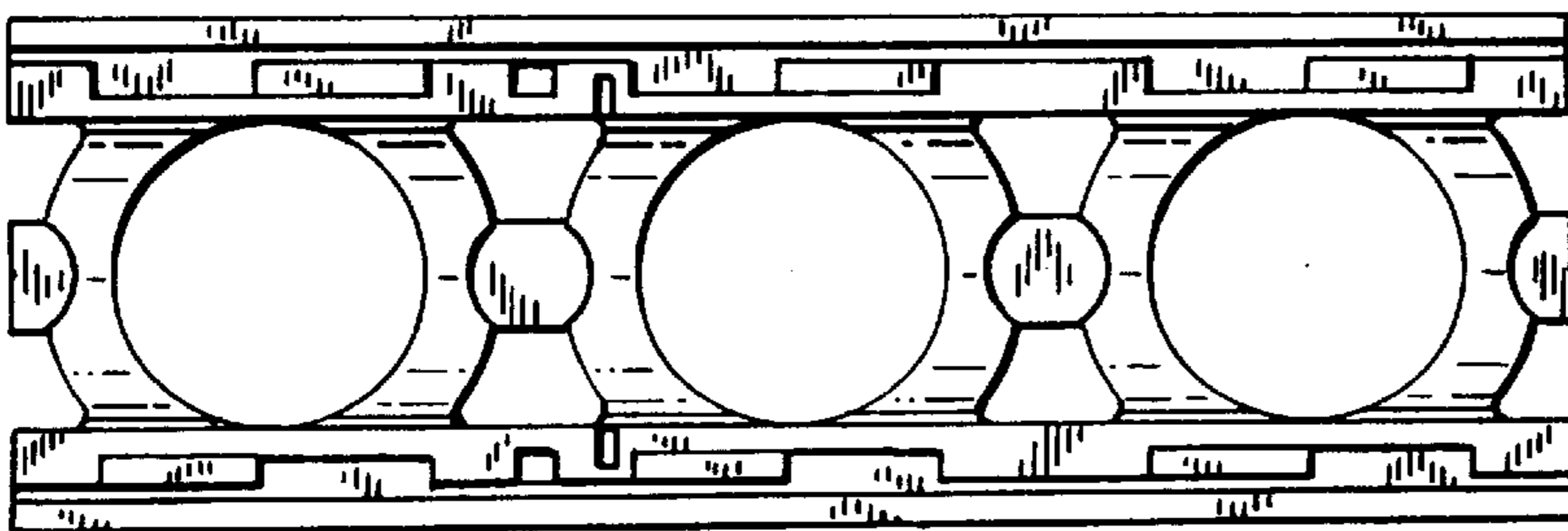


Fig. 5.