



US00D429345S

United States Patent [19]
Boone

[11] **Patent Number: Des. 429,345**

[45] **Date of Patent: ** Aug. 8, 2000**

[54] **DECORATIVE WALL BLOCK**

[76] Inventor: **Anthony Forest Boone**, 129 Coral Ave., #2, Louisville, Ky. 40206

[**] Term: **14 Years**

[21] Appl. No.: **29/114,726**

[22] Filed: **Nov. 30, 1999**

[51] **LOC (7) Cl.** **25-01**

[52] **U.S. Cl.** **D25/113**

[58] **Field of Search** D25/102, 112-118, D25/164, 199; D21/484-486, 488-492, 499-500; 52/582.1, 588.1, 596, 605, 606; 404/29, 34, 37-42, 16; 405/272, 273, 284-287, 287.1

[56] **References Cited**

U.S. PATENT DOCUMENTS

D. 319,885	9/1991	Blomquist et al. .	
D. 321,060	10/1991	Blomquist et al. .	
D. 341,215	11/1993	Blomquist et al. .	
D. 346,667	5/1994	Blomquist et al. .	
D. 378,702	4/1997	Blomquist et al. .	
D. 391,376	2/1998	Strand et al. .	
2,009,547	7/1935	Ginder	52/438
2,794,375	6/1957	DiFalco	D25/113
2,881,613	4/1959	Taylor et al.	52/608
4,099,887	7/1978	Mackenroth	403/4
5,283,994	2/1994	Callison	52/71
5,887,399	3/1999	Shaw et al. .	

OTHER PUBLICATIONS

“Solid Cap—Ground Face & Top”, Anchor product, buyline 6518, Sweet’s General Building & Renovation Catalog File, 1993.

Primary Examiner—Louis S. Zarfes
Assistant Examiner—Robert A. Delehanty

[57] **CLAIM**

The ornamental design for a decorative wall block, as shown and described.

DESCRIPTION

FIG. 1 is a perspective view of the decorative wall block of the first embodiment, the block having quarter round voids at the two front corners of the block;

FIG. 2 is a rear view of the block of the first embodiment; FIG. 3 is a top view of the block of the first embodiment; FIG. 4 is a front view of the block of the first embodiment; FIG. 5 is a bottom view of the block of the first embodiment; FIG. 6 is a left end view of the of the block of the first embodiment, the end view enlarged to show one of the quarter round voids having scrape marks therein;

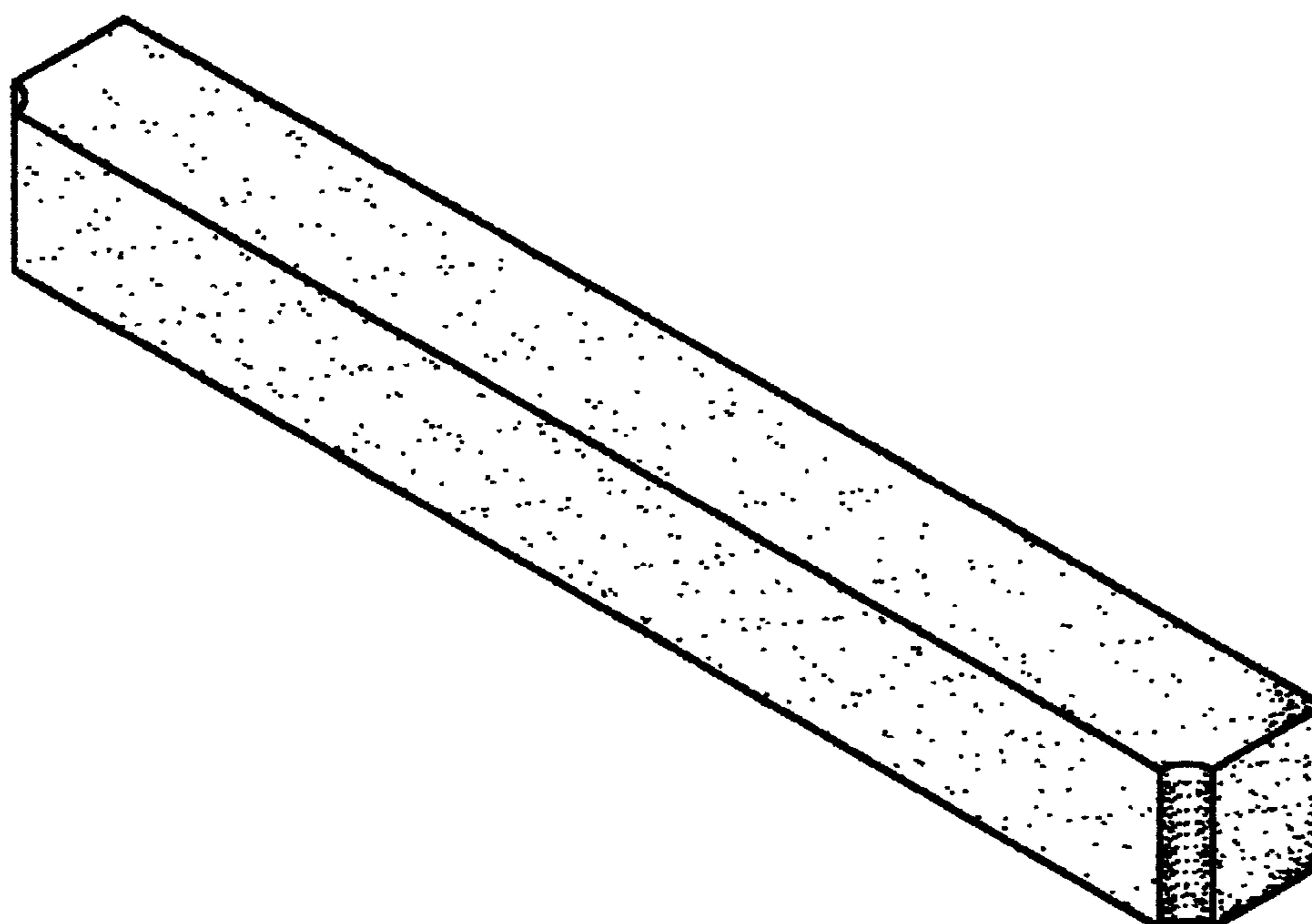
FIG. 7 is a right end view of the block of the first embodiment, the end view enlarged to show one of the quarter round voids having scrape marks therein;

FIG. 8 is an enlarged perspective view of the right hand portion of the block of FIG. 1, the quarter round void having scrape marks therein;

FIG. 9 is a perspective view of the right hand portion of a block of a second embodiment, the quarter round void being smooth therein, the left hand portion having a similar void; and,

FIG. 10 is a perspective view of the right hand portion of a block of a third embodiment having a quarter square void at the front right corner, the left hand portion having a similar void.

1 Claim, 4 Drawing Sheets



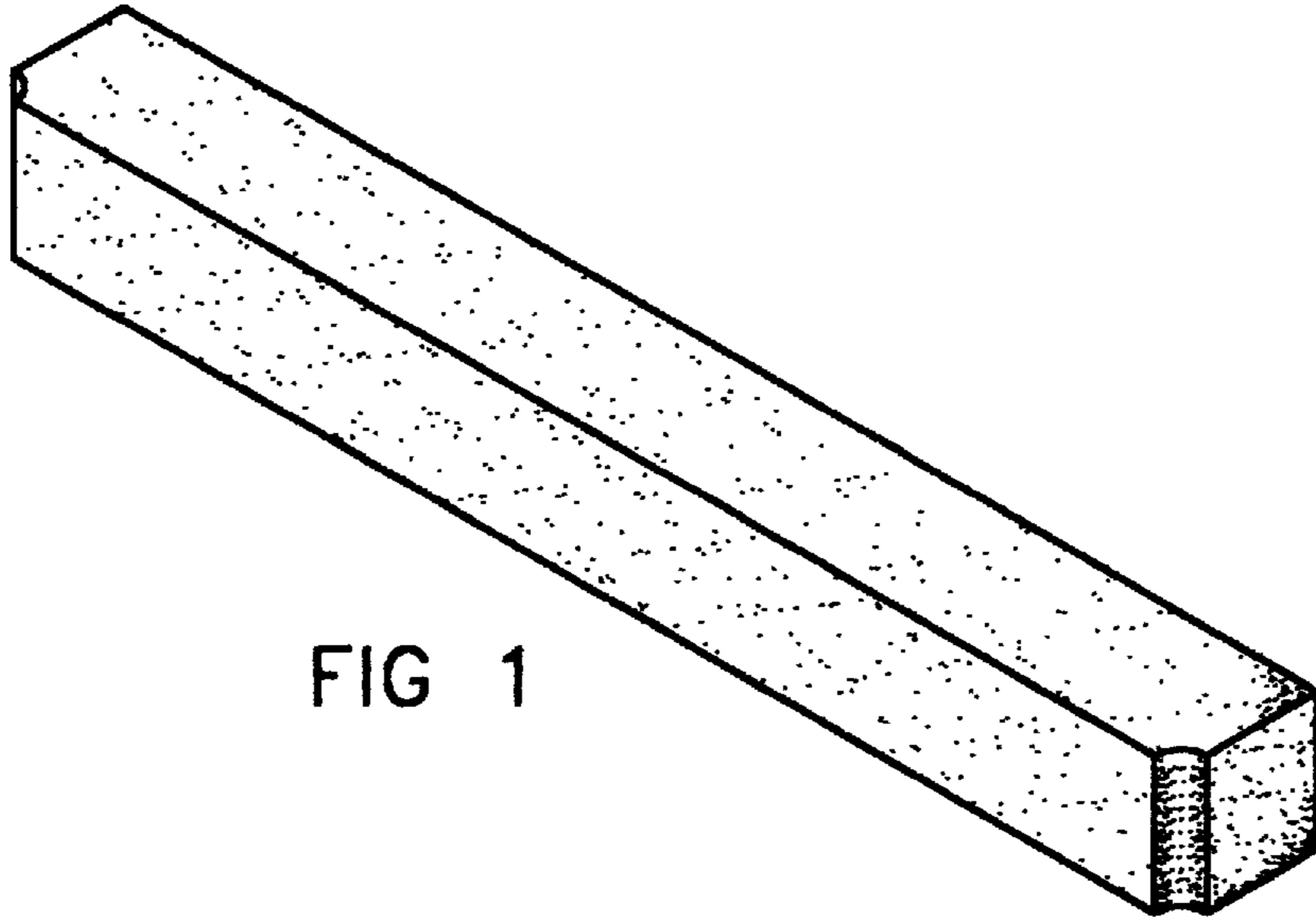


FIG 1

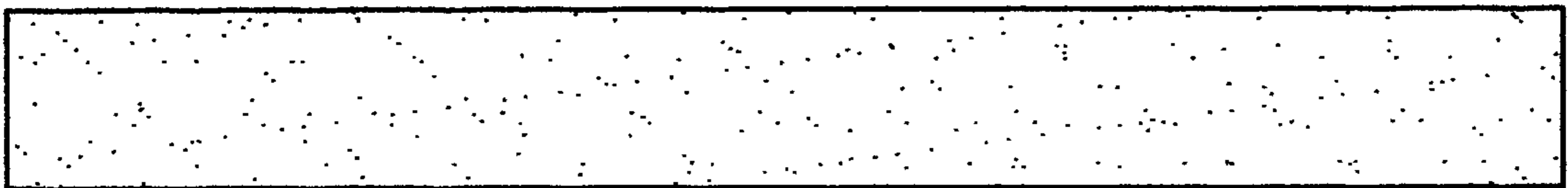


FIG 2

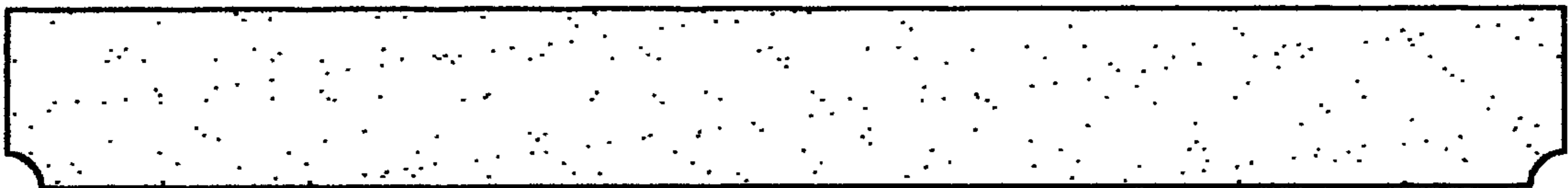


FIG 3

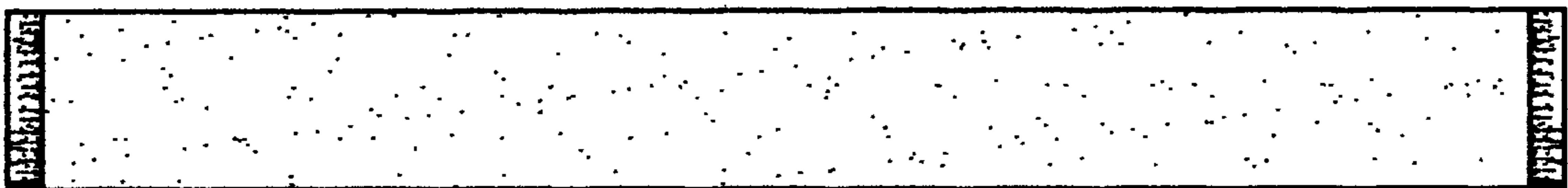


FIG 4

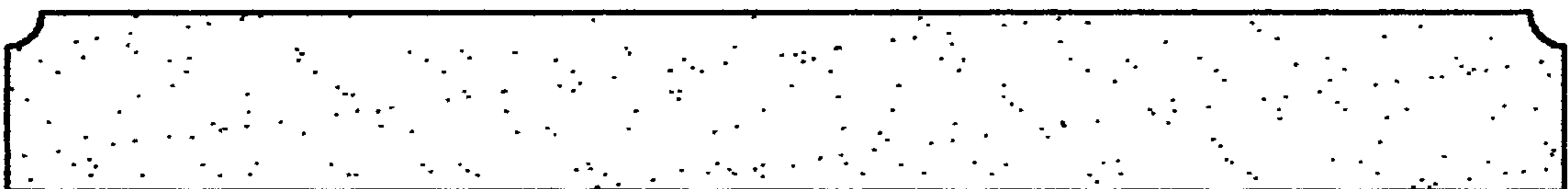


FIG 5

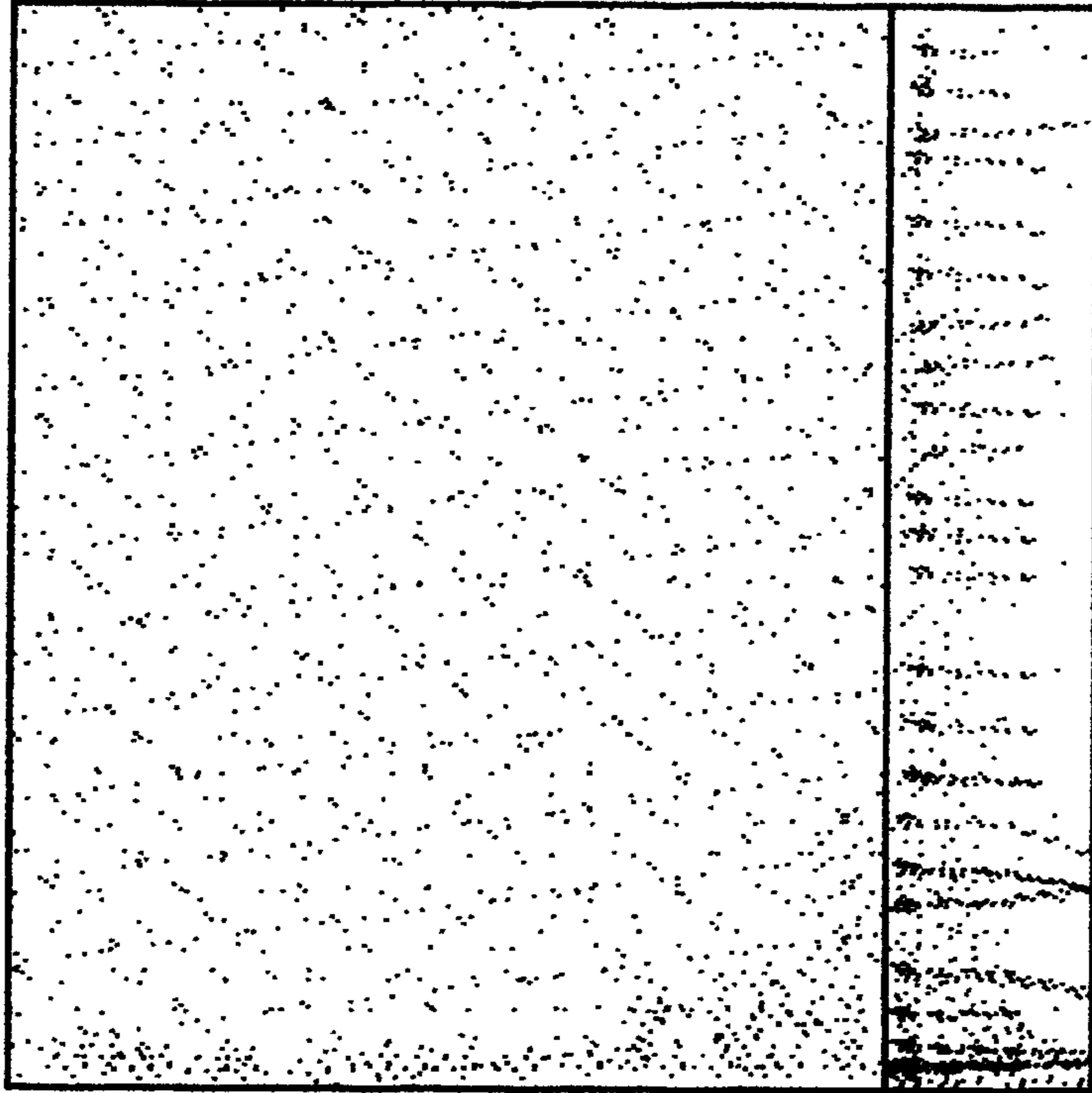


FIG 6

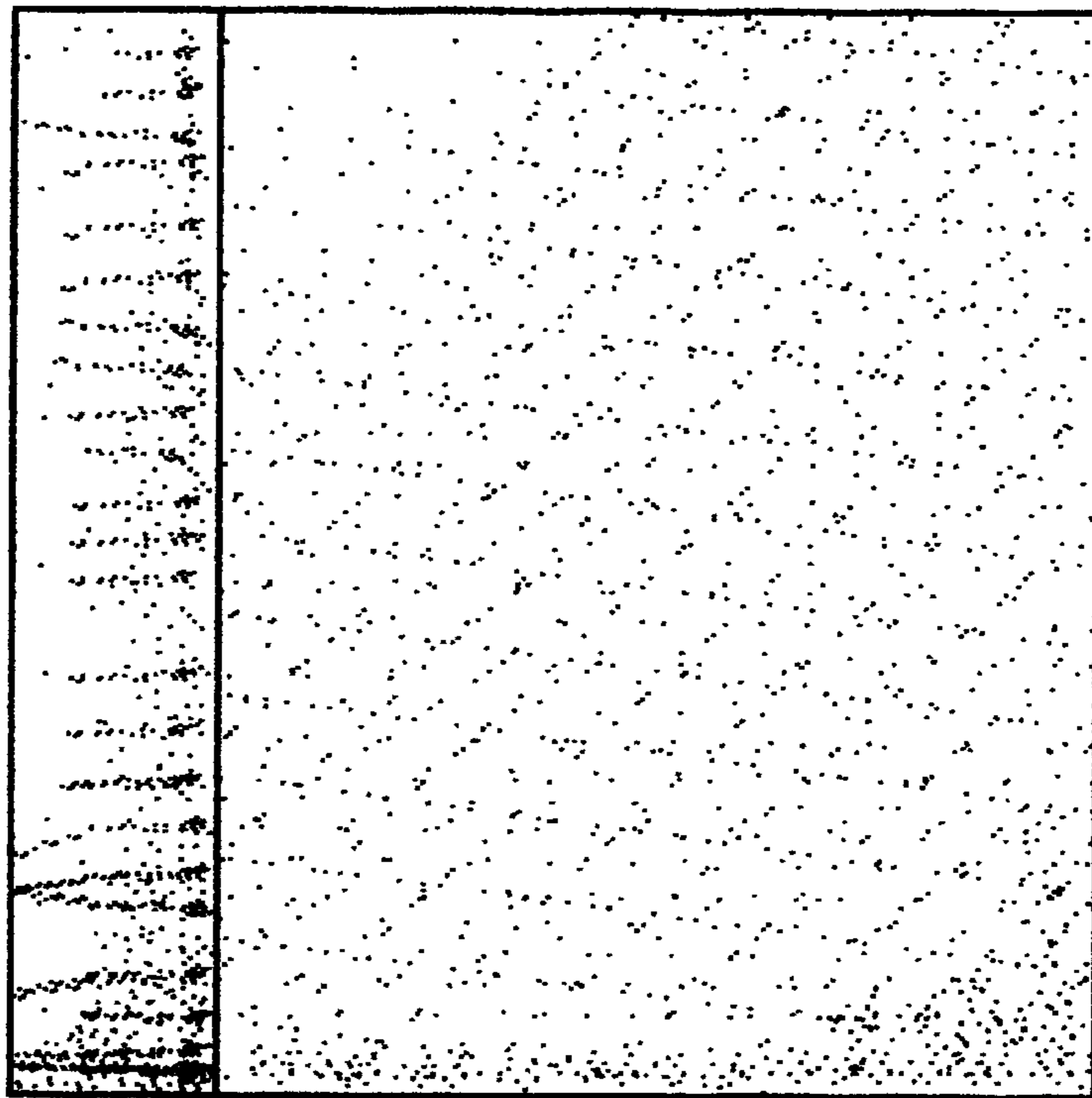


FIG 7

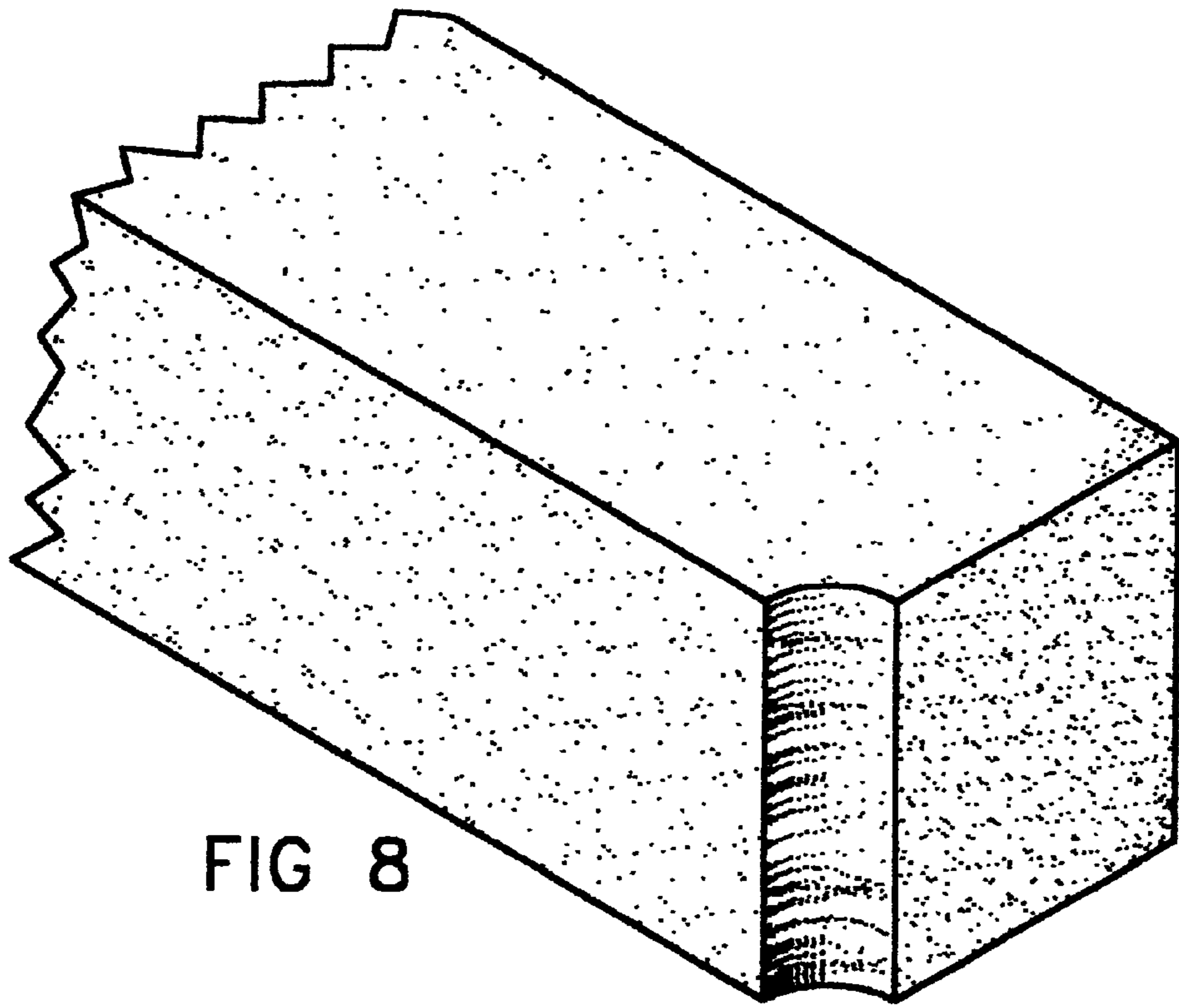


FIG 8

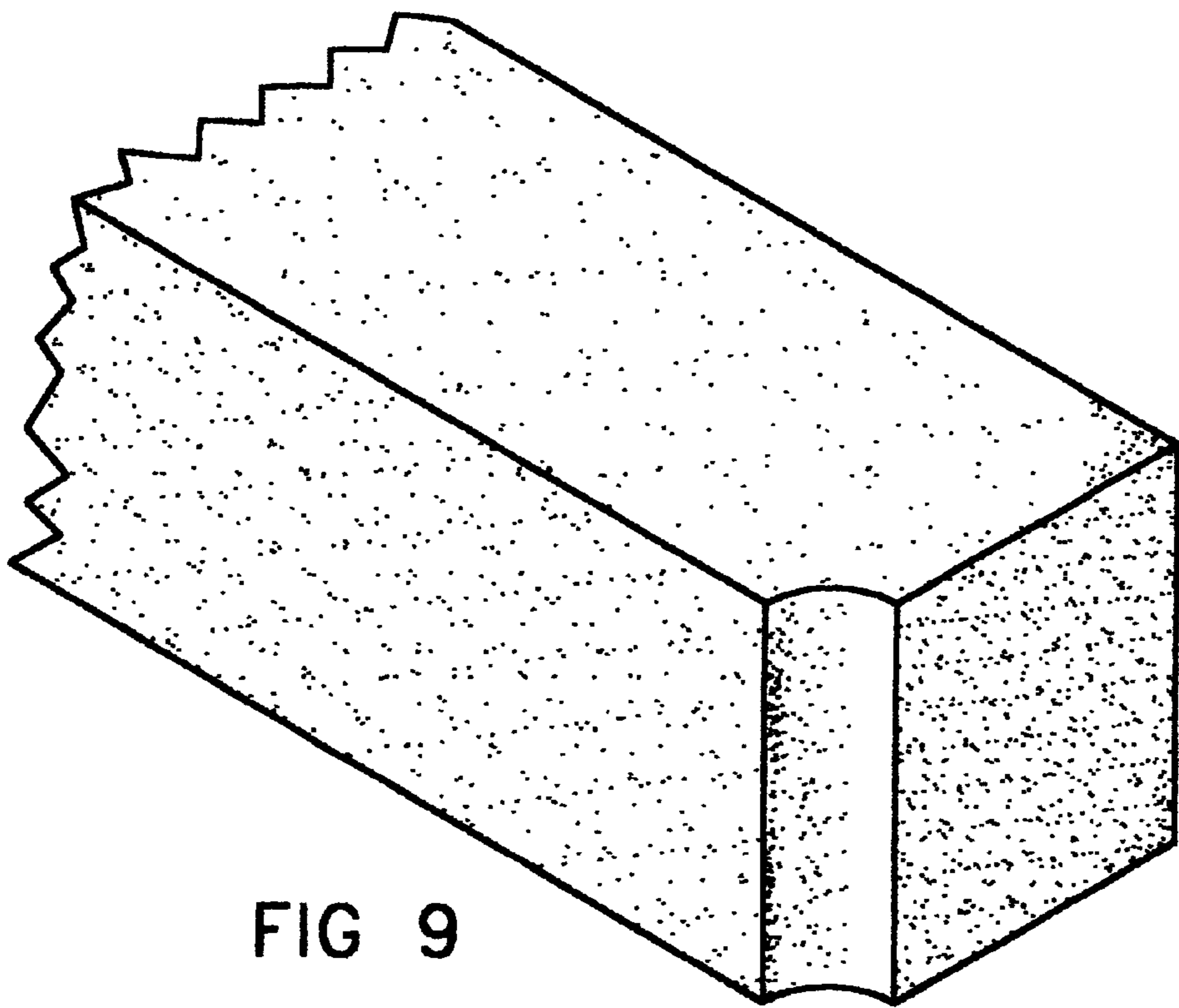


FIG 9

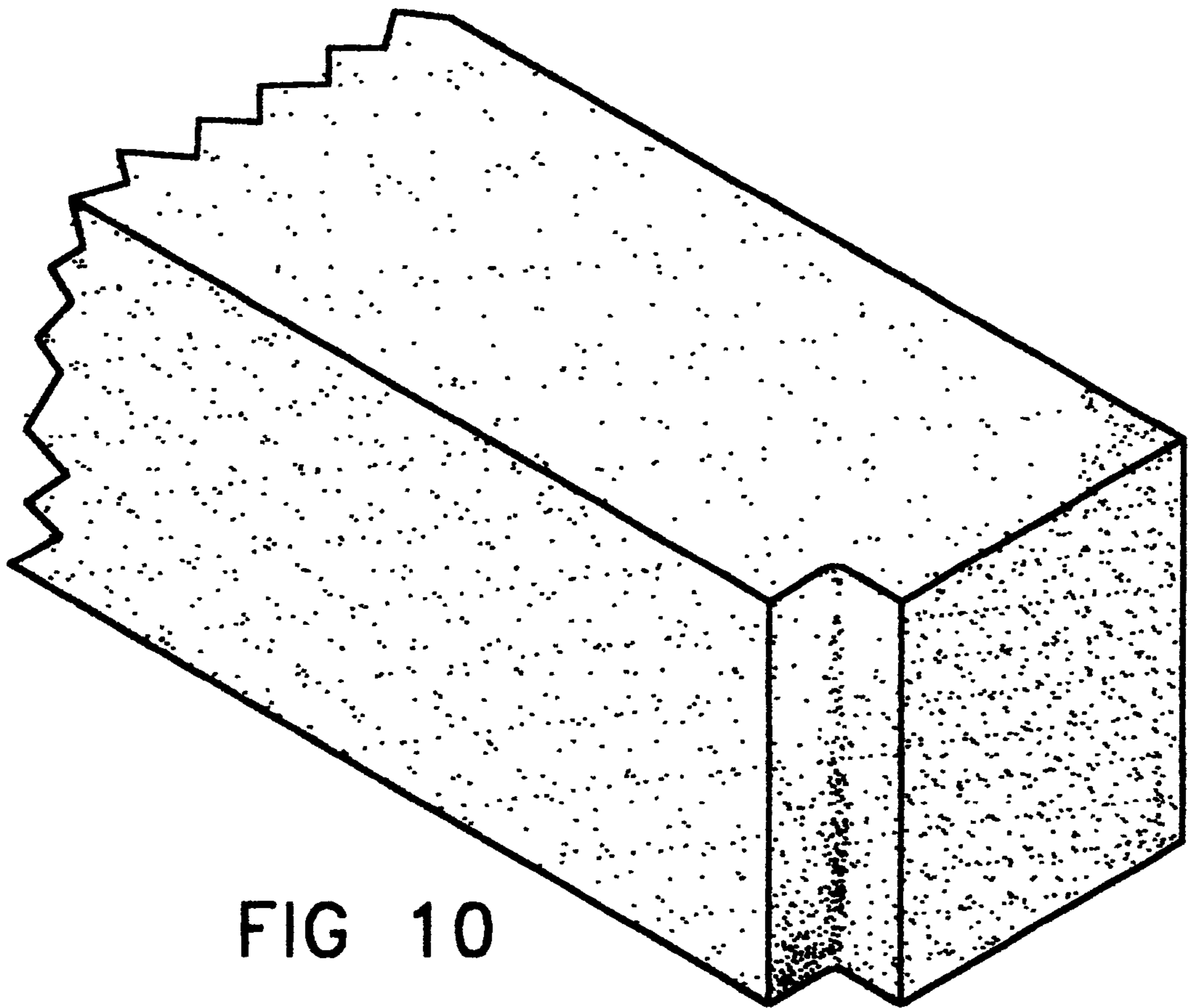


FIG 10