



US00D429340S

# United States Patent [19]

Kimura et al.

[11] Patent Number: Des. 429,340

[45] Date of Patent: \*\* Aug. 8, 2000

## [54] SELF-SERVICE FACILITY

[75] Inventors: **Motoyasu Kimura; Masakazu Okuda; Tomoei Kimura**, all of Tokyo, Japan

[73] Assignee: **Kimura Corporation**, Tokyo, Japan

[\*\*] Term: **14 Years**

[21] Appl. No.: **29/107,003**

[22] Filed: **Jun. 24, 1999**

### [30] Foreign Application Priority Data

Dec. 24, 1998 [JP] Japan ..... 10-37444

[51] LOC (7) Cl. .... **25-03**

[52] U.S. Cl. .... **D25/31**

[58] Field of Search ..... D25/1, 16, 31, D25/33; 52/32, 36.1, 36.2, 79.1, 79.4

### [56] References Cited

#### U.S. PATENT DOCUMENTS

D. 265,685	8/1982	Decaux	.....	D25/31
D. 300,662	4/1989	Bass	.....	D25/31
5,653,063	8/1997	Bernett et al.	.....	D25/31

*Primary Examiner*—Doris Clark

*Attorney, Agent, or Firm*—Knobbe, Martens, Olson & Bear, LLP

## [57] CLAIM

The ornamental design for a self-service facility, as shown and described.

### DESCRIPTION

FIG. 1 is a front view of a self-service facility with the revolving door open, showing our new design;

FIG. 2 is a front view of the self-service facility with the revolving door closed;

FIG. 3 is a back view of the self-service facility;

FIG. 4 is a top view of the self-service facility;

FIG. 5 is a bottom view of the self-service facility;

FIG. 6 is a side view of the self-service facility;

FIG. 7 is a cross-sectional view of the self-service facility along the axis shown in 7—7 in FIG. 1;

FIG. 8 is a perspective view of the self-service facility with the revolving door closed;

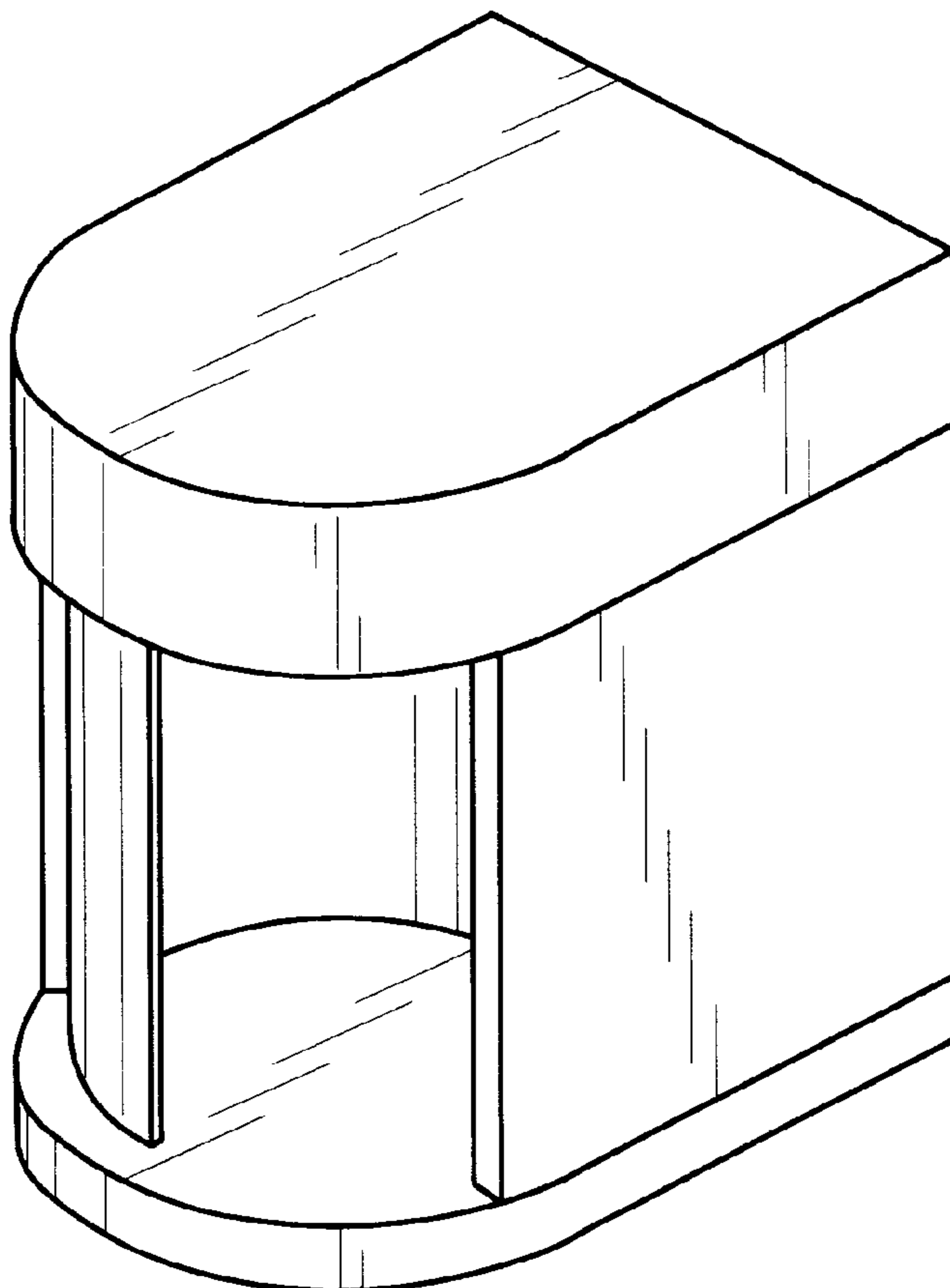
FIG. 9 is a perspective view of the self-service facility with the revolving door partially open; and,

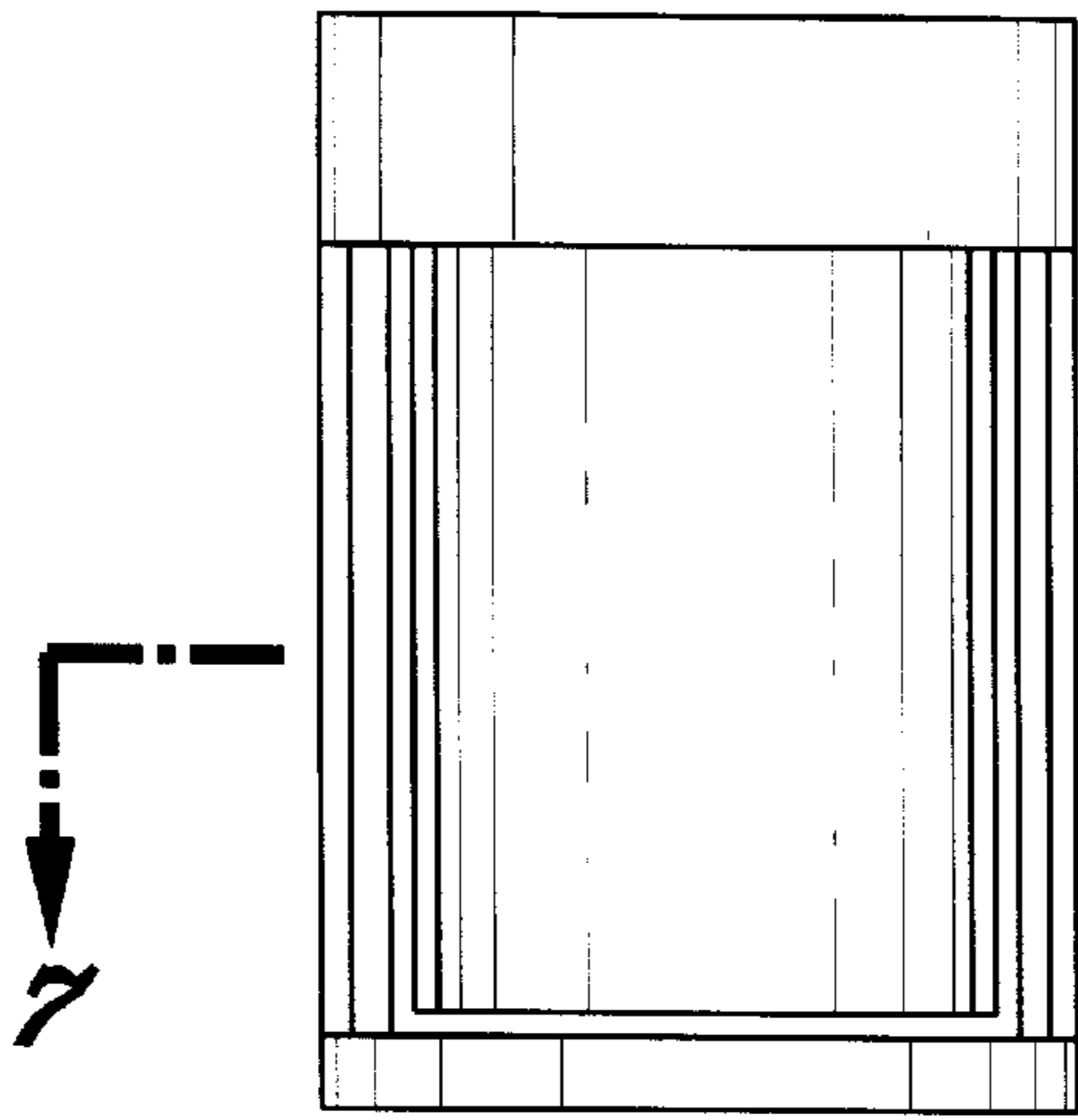
FIG. 10 is a perspective view of the self-service facility with the revolving door open.

The inventors' design is directed toward a self-service facility with a revolving semicircular door. The self-service facility may be free-standing, or it may be attached to a wall of a structure.

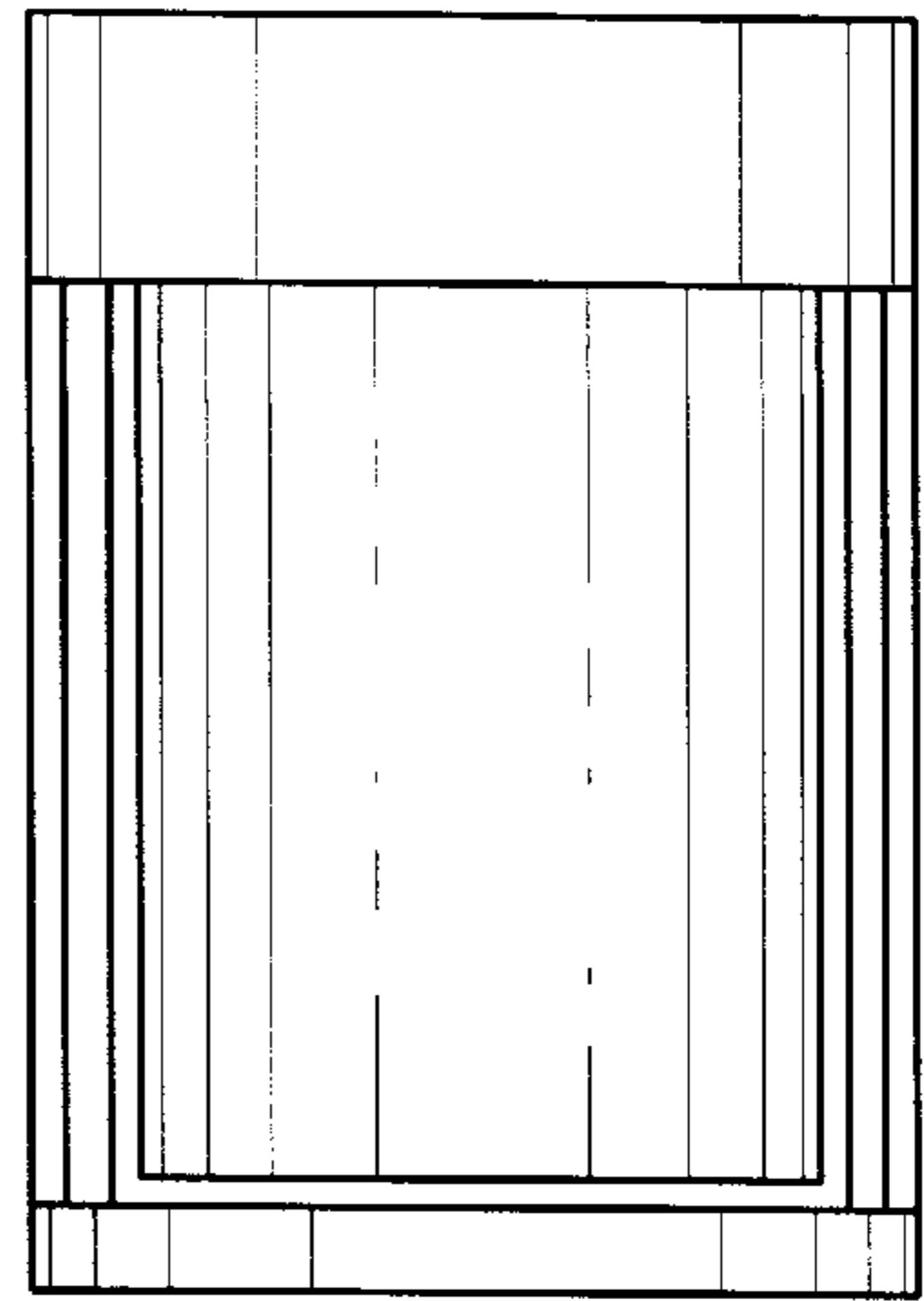
The broken lines are for illustrative purposes only and form no part of the claimed design.

**1 Claim, 4 Drawing Sheets**

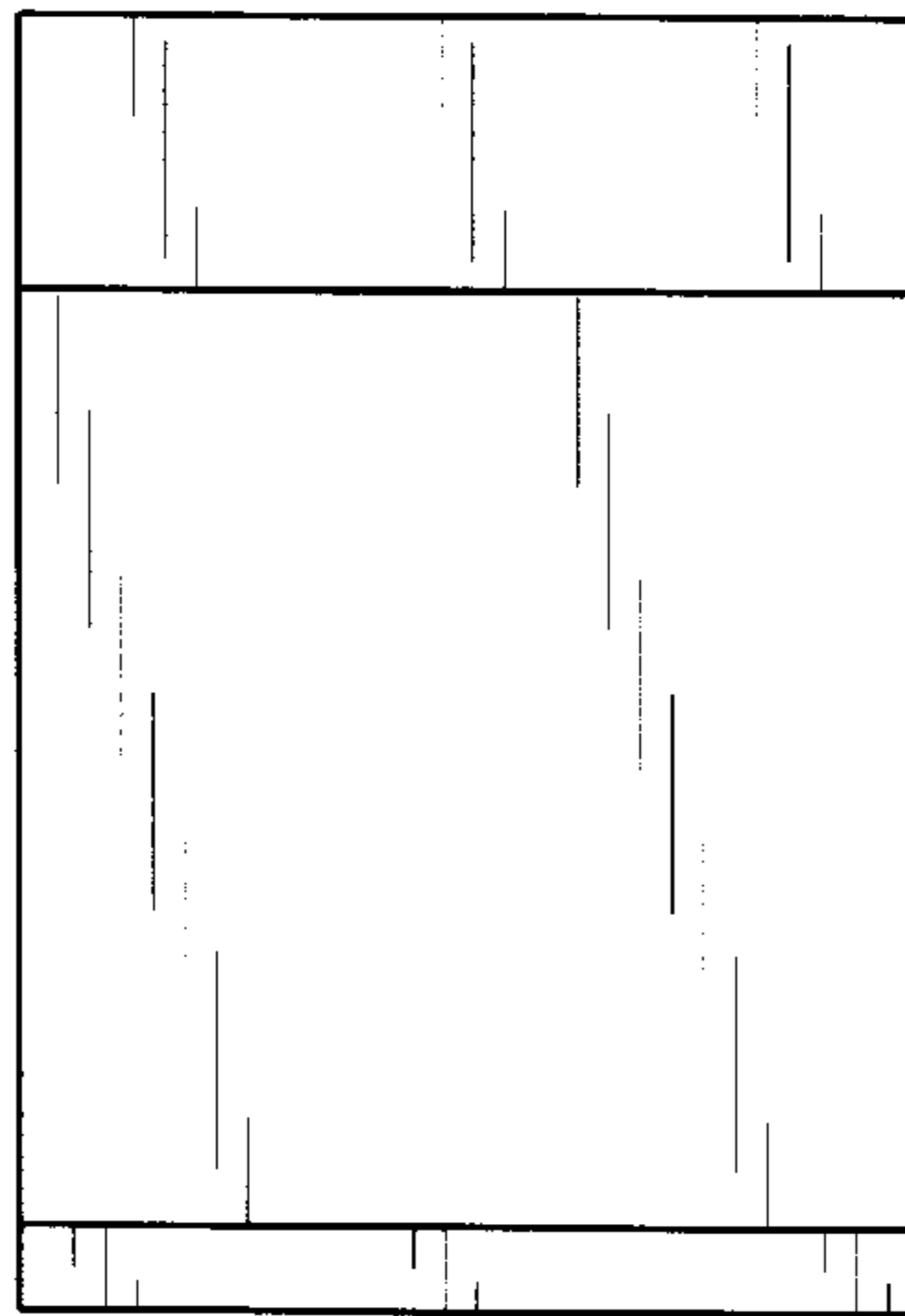




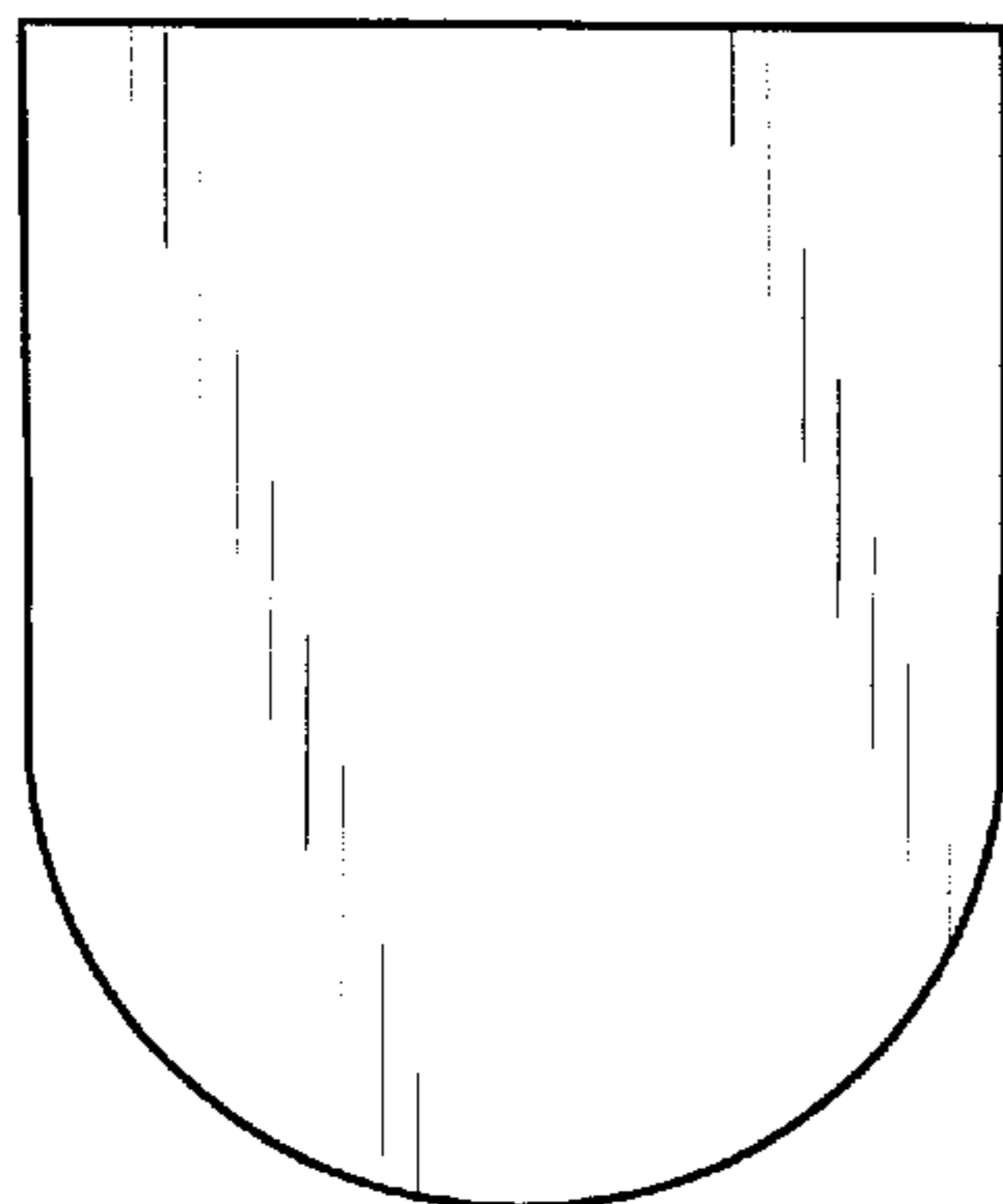
**FIG. 1**



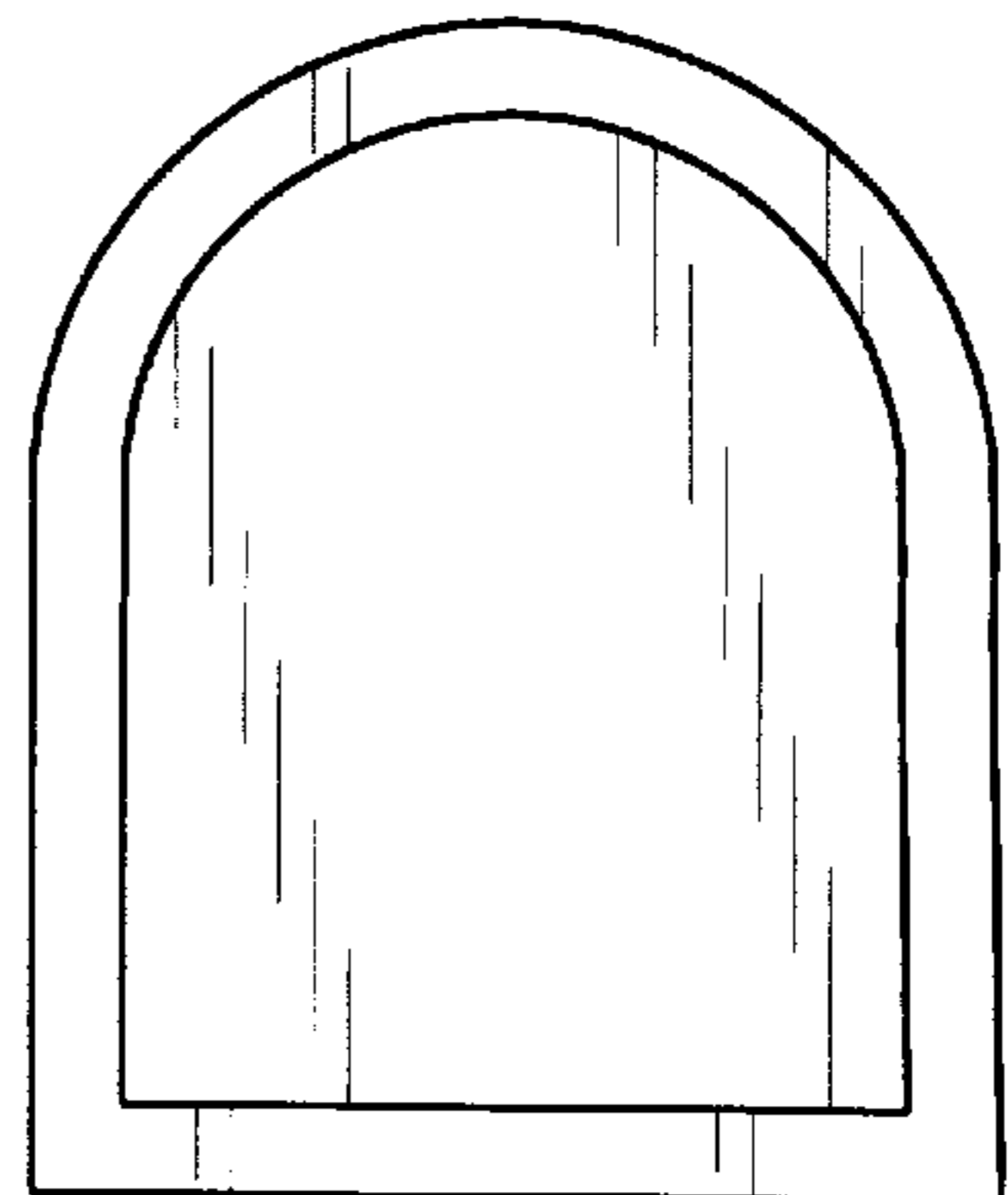
**FIG. 2**



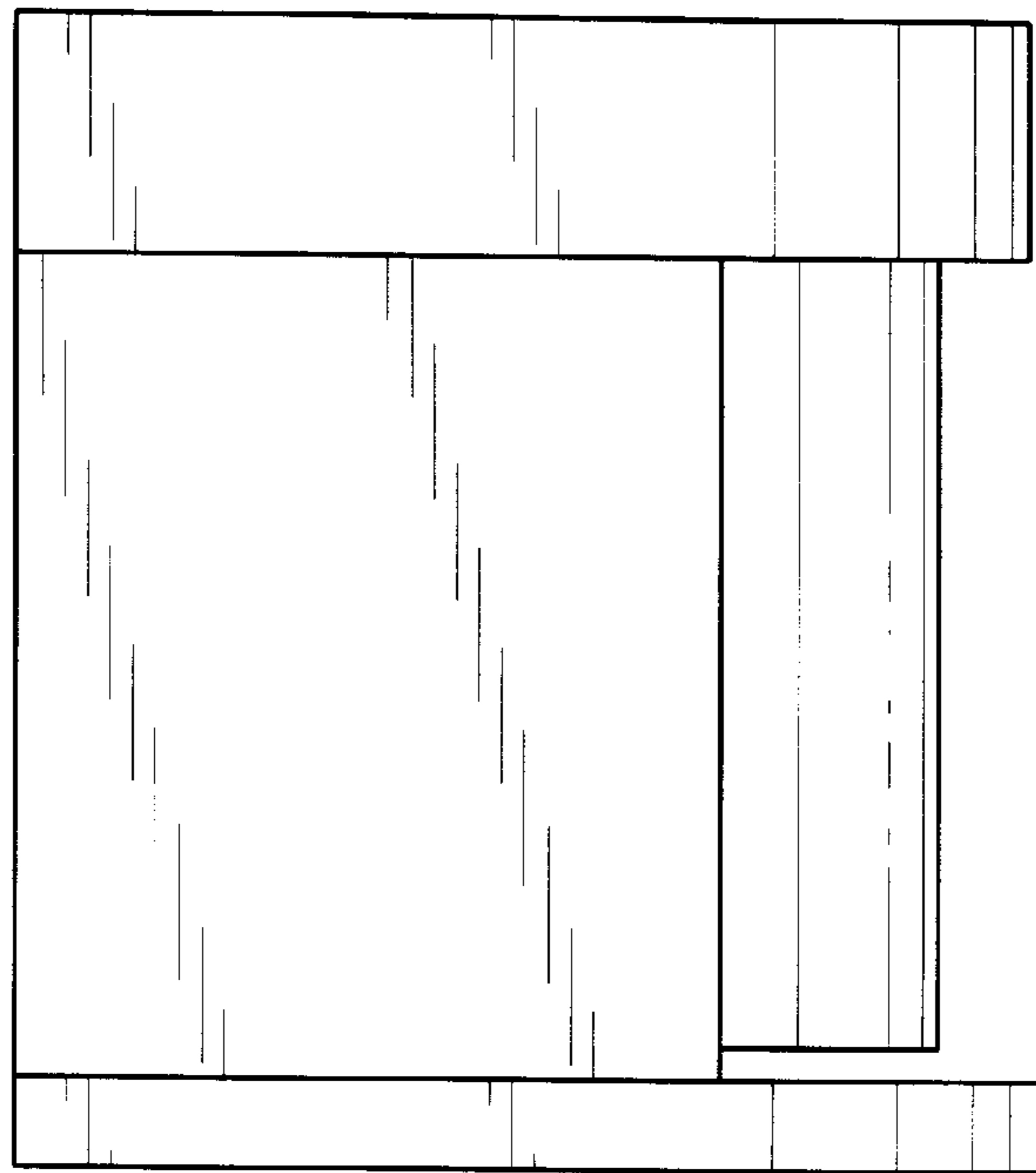
**FIG. 3**



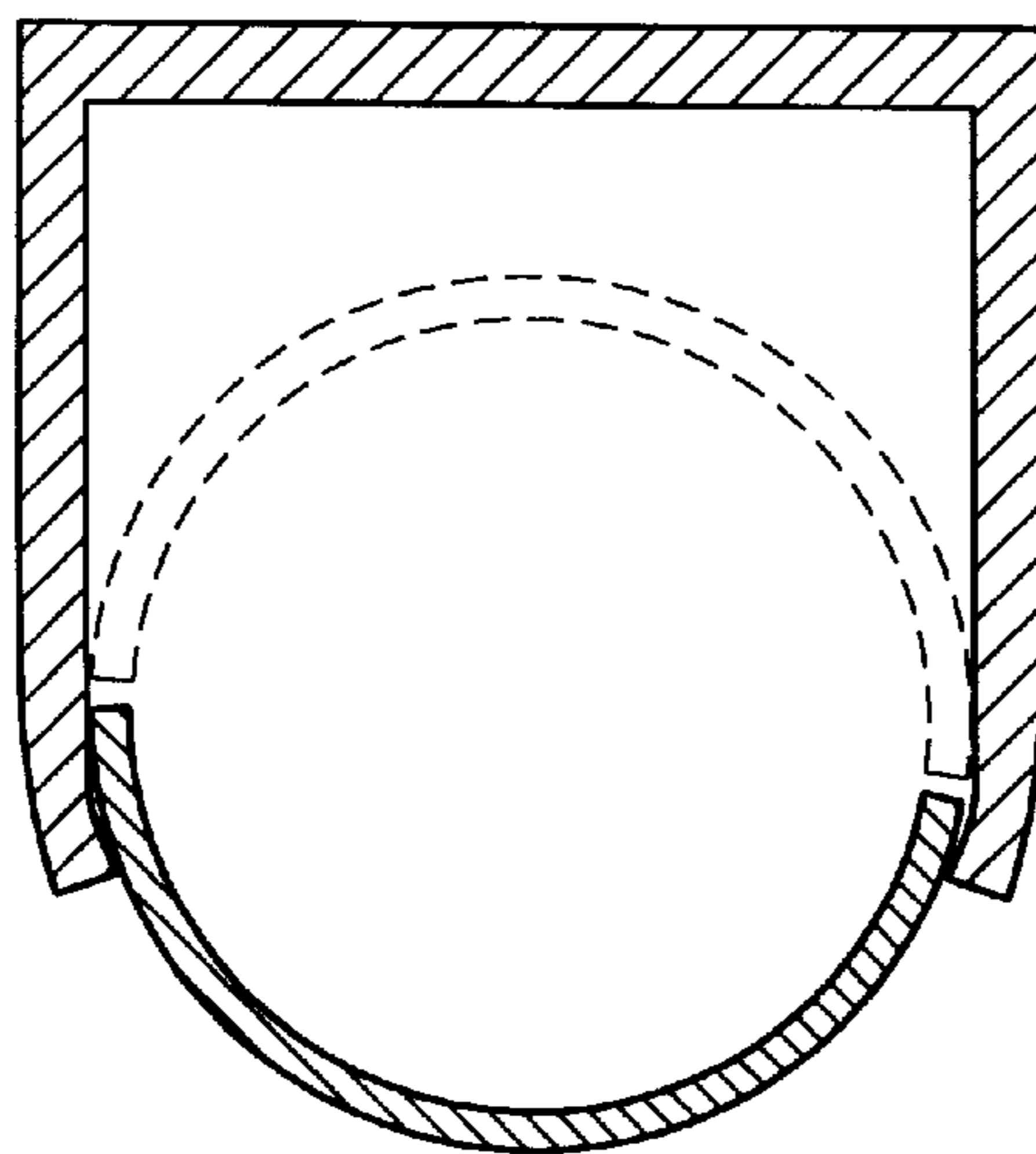
**FIG. 4**



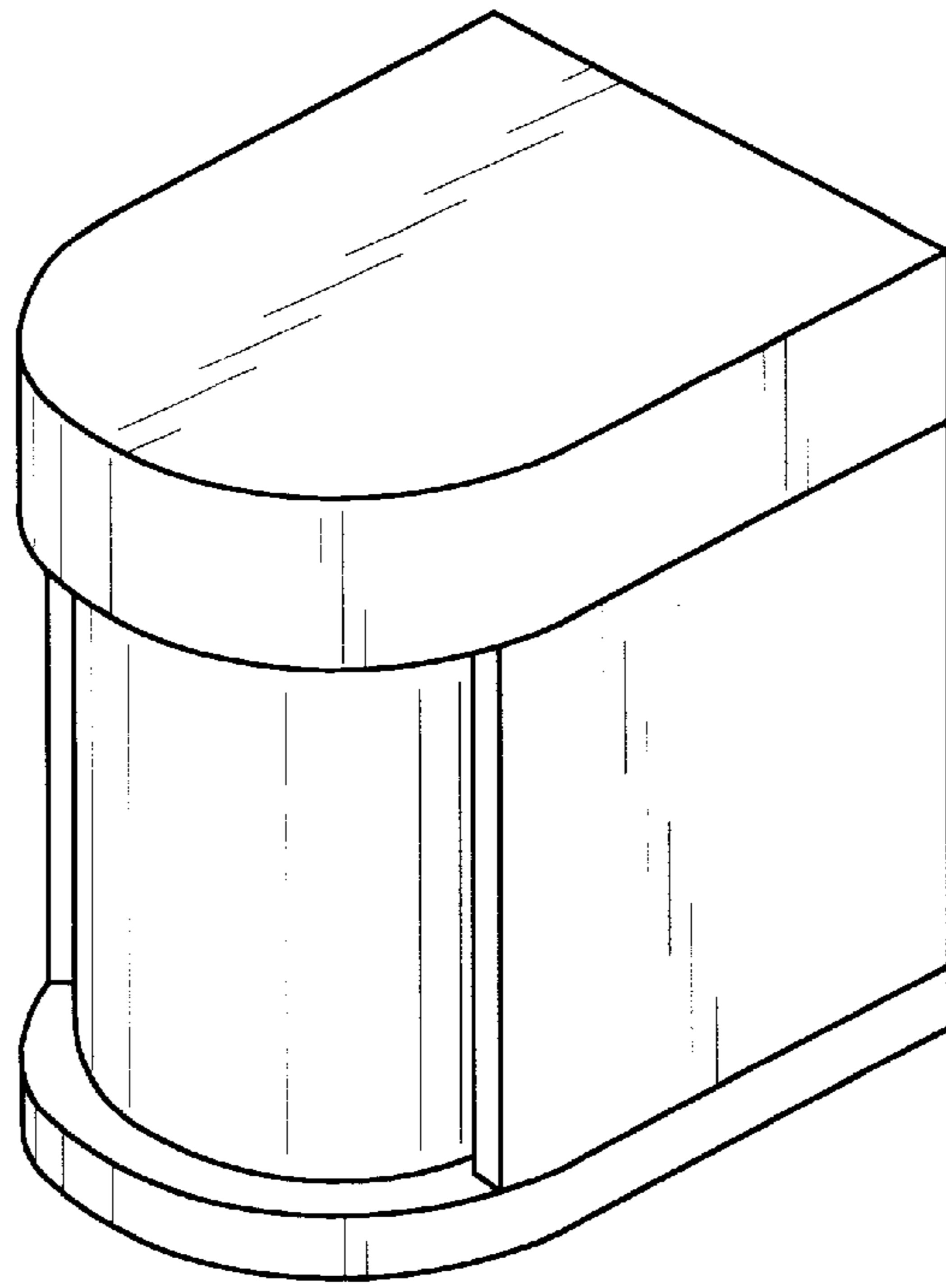
**FIG. 5**



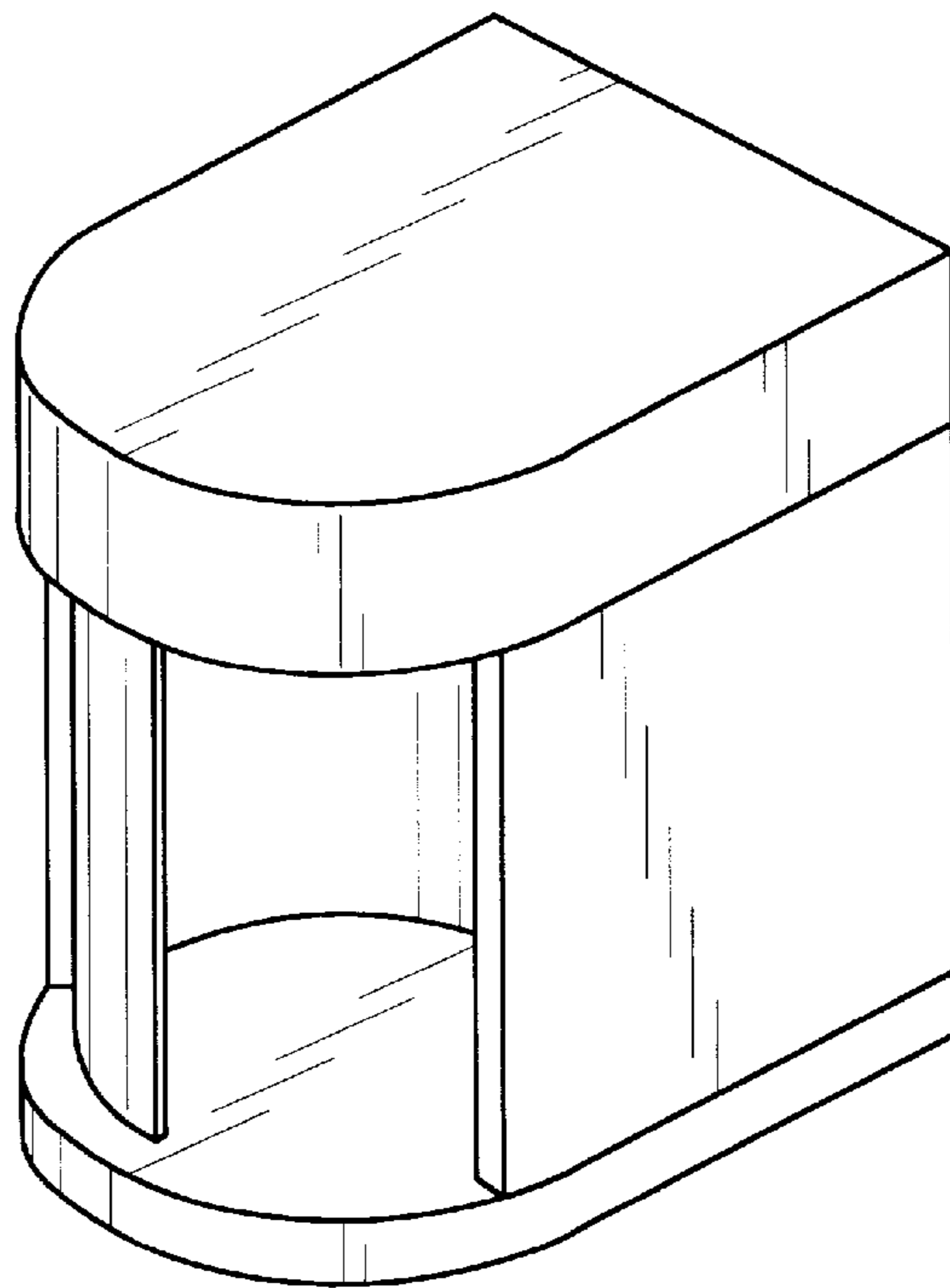
**FIG. 6**



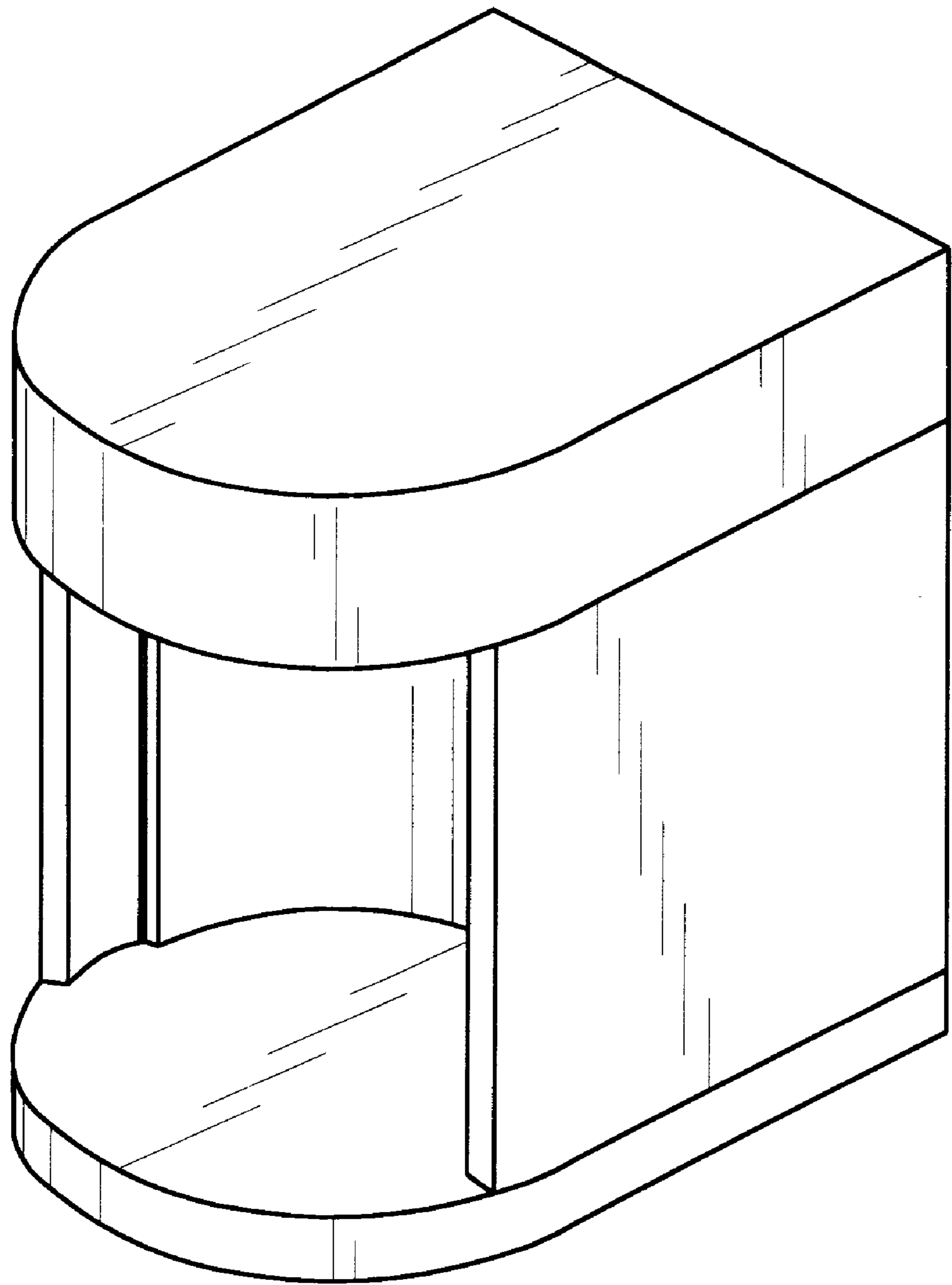
**FIG. 7**



**FIG. 8**



**FIG. 9**



***FIG. 10***