



US00D429335S

United States Patent [19]

[11] Patent Number: Des. 429,335

Caspers et al.

[45] Date of Patent: ** Aug. 8, 2000

[54] PROSTHETIC LINER REINFORCEMENT PATCH

4,635,626 1/1987 Lerman .

(List continued on next page.)

[75] Inventors: Carl A. Caspers, Avon; Maitland C. MacKenzie, Sauk Rapids, both of Minn.

FOREIGN PATENT DOCUMENTS

[73] Assignee: Caspers-Schneider Technologies, Inc., Waite Park, Minn.

[**] Term: 14 Years

[21] Appl. No.: 29/110,413

[22] Filed: Sep. 3, 1999

[51] LOC (7) Cl. 24-03

[52] U.S. Cl. D24/155

[58] Field of Search D24/155; 623/36, 623/32

670631	7/1996	Australia .
2098945	7/1997	Canada .
0057839	8/1982	European Pat. Off. .
0057838	3/1985	European Pat. Off. .
0261884	3/1988	European Pat. Off. .
0363654	4/1990	European Pat. Off. .
0631765	1/1995	European Pat. Off. .
0650708	5/1995	European Pat. Off. .
1135516	9/1960	France .
1532625	7/1968	France .
2712342	9/1977	Germany .
4217877	12/1992	Germany .
9417913	4/1995	Germany .
7155343	6/1995	Japan .
1771722	10/1992	U.S.S.R. .
1812982	4/1993	U.S.S.R. .
267988	3/1927	United Kingdom .
2069847	9/1981	United Kingdom .
2149309	6/1985	United Kingdom .
WO 96/21405	7/1996	WIPO .

[56] References Cited

U.S. PATENT DOCUMENTS

2,424,278	7/1947	Kunkel .
2,606,325	8/1952	Nielson .
2,664,572	1/1954	Blevens .
2,671,225	3/1954	Schoene .
2,696,011	12/1954	Galdik .
3,253,600	5/1966	Scholl .
3,322,873	5/1967	Hitchcock .
3,377,416	4/1968	Kandel .
3,393,407	7/1968	Kandel .
3,557,387	1/1971	Ohlenbusch .
3,631,542	1/1972	Potter .
3,712,298	1/1973	Snowdon .
3,732,578	5/1973	Pollack .
3,751,733	8/1973	Fletcher .
3,858,379	1/1975	Graves .
3,895,405	7/1975	Edwards .
3,975,350	8/1976	Hudgin .
3,991,424	11/1976	Prahl .
4,314,398	2/1982	Petterson .
4,381,768	5/1983	Erichsen .
4,404,296	9/1983	Schapel .
4,466,936	8/1984	Schapel .
4,479,272	10/1984	Beldzisky .
4,623,354	11/1986	Childress .
4,634,446	1/1987	Kristensson .

OTHER PUBLICATIONS

Solomons, *Organic Chemistry* (6th ed.), John Wiley & Sons, Inc., New York, 1996, pp. 853-854.

Primary Examiner—Antoine Duval Davis
Attorney, Agent, or Firm—Gerald E. Helget; Rider, Bennett, Egan & Arundel

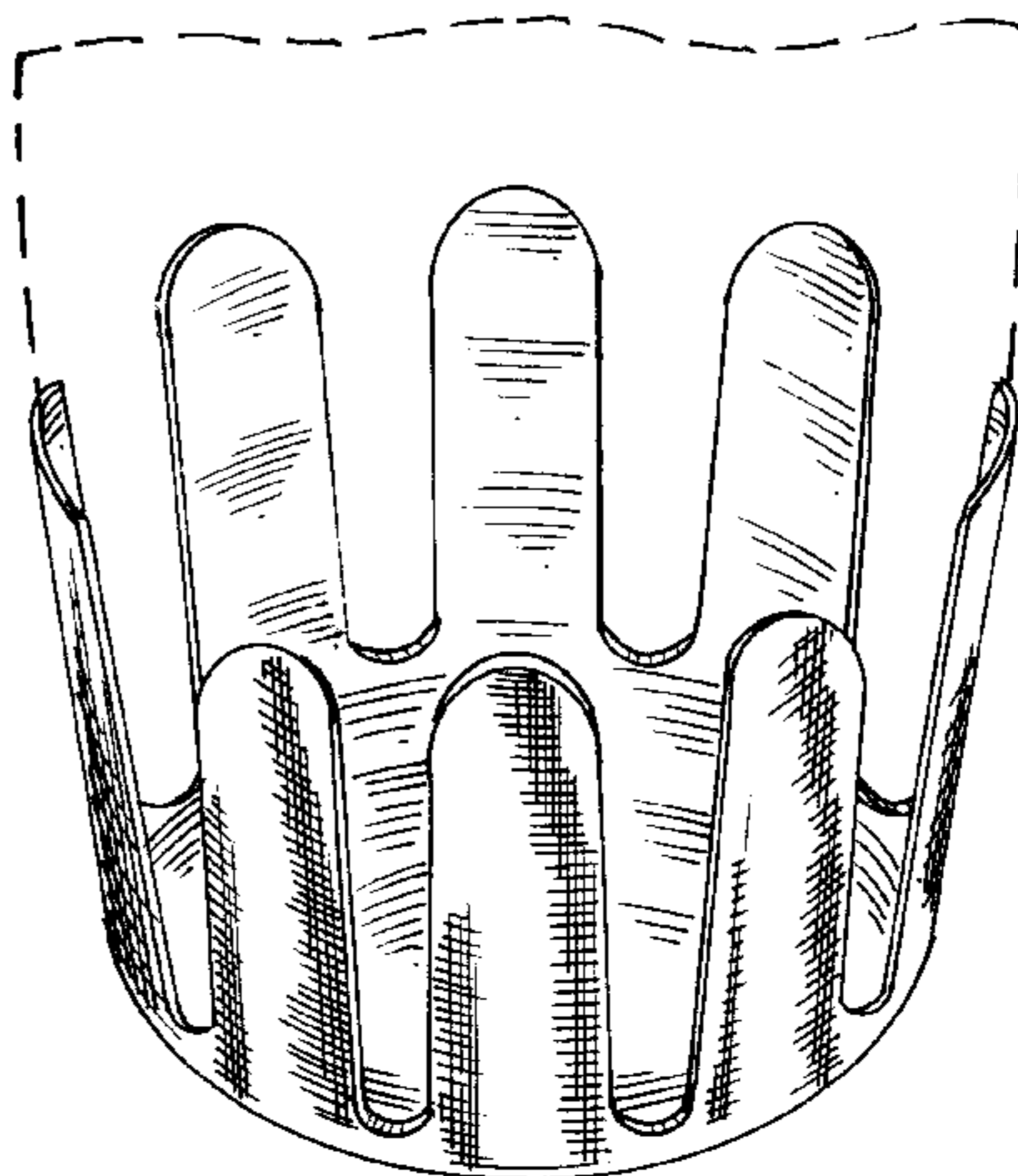
[57] CLAIM

The ornamental design for a prosthetic liner reinforcement patch, as shown and described.

DESCRIPTION

FIG. 1 is a perspective view showing my new design of a prosthetic liner reinforcement patch;
FIG. 2 is a front side elevational view that is the same view from all sides;
FIG. 3 is a top plan view; and,
FIG. 4 is a bottom plan view.

1 Claim, 2 Drawing Sheets



U.S. PATENT DOCUMENTS

4,704,129	11/1987	Massey .	5,314,497	5/1994	Fay .	
4,822,371	4/1989	Jolly .	5,362,834	11/1994	Schapel .	
4,828,325	5/1989	Brooks .	5,376,132	12/1994	Caspers .	
4,888,829	12/1989	Kleinerman .	5,507,834	4/1996	Laghi .	
4,908,037	3/1990	Ross .	5,534,034	7/1996	Caspers .	
4,923,475	5/1990	Gosthian .	5,549,709	8/1996	Caspers .	
5,007,937	4/1991	Fishman .	5,571,208	11/1996	Caspers .	
5,133,776	7/1992	Crowder .	5,593,454	1/1997	Helmy .	
5,139,523	8/1992	Paton .	5,702,489	12/1997	Slemker .	
5,211,667	5/1993	Danforth .	5,728,167	3/1998	Lohmann	623/36
5,221,222	6/1993	Townes .	5,728,168	3/1998	Norvell	623/36
5,258,037	11/1993	Caspers .	5,735,906	4/1998	Caspers .	
			5,888,231	3/1999	Sandvig et al.	623/36

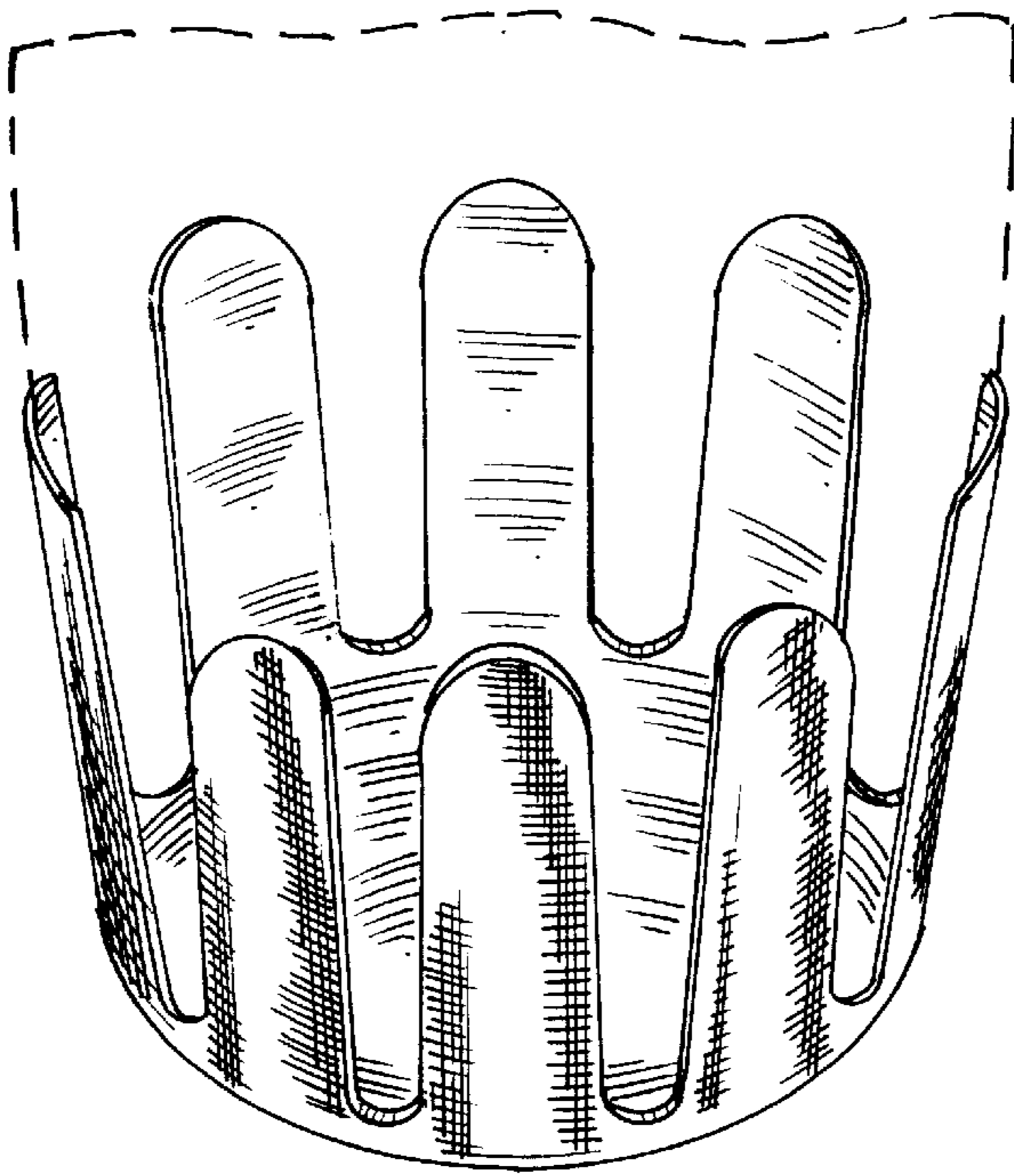


Fig. 1.

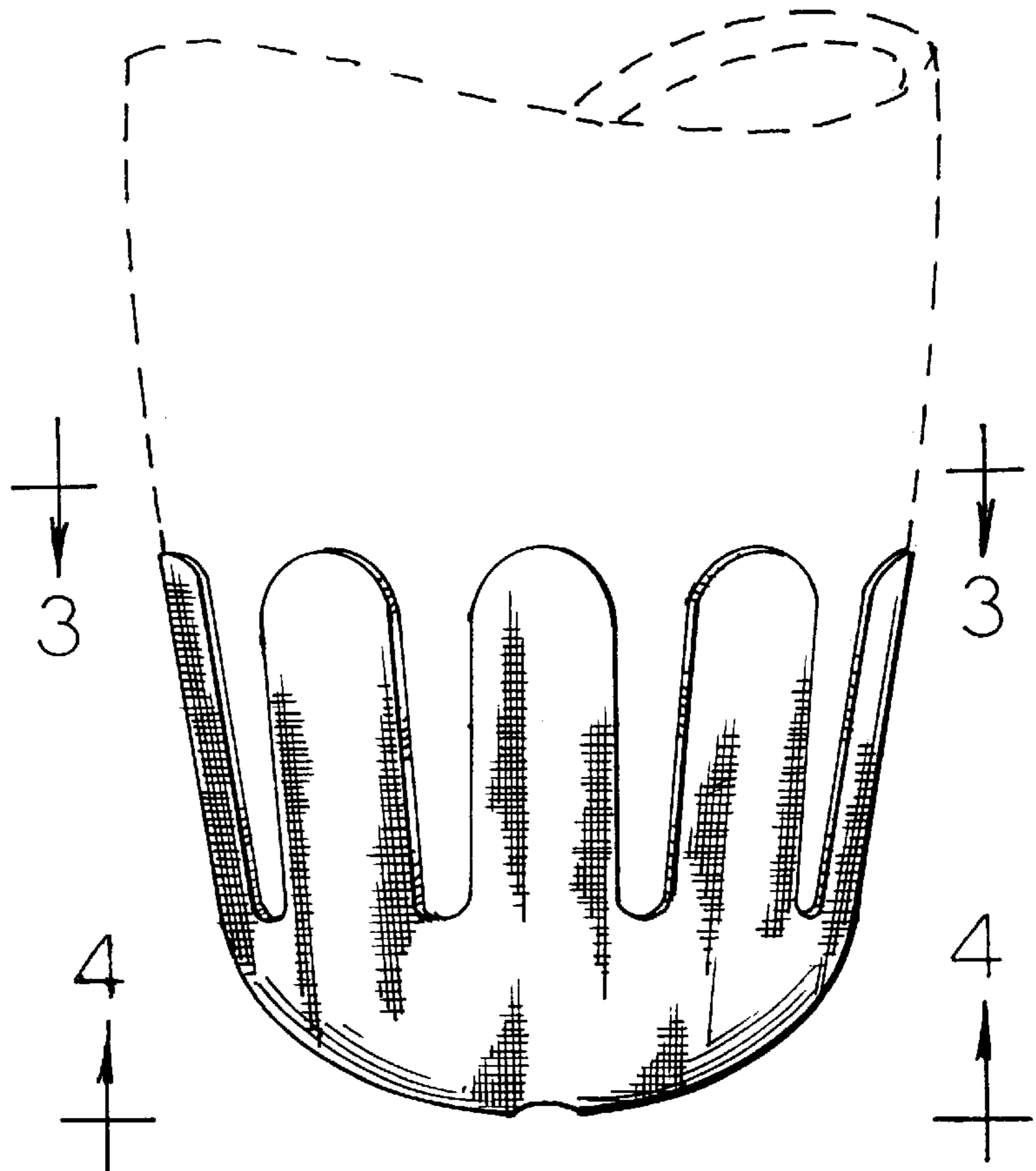


Fig. 2.

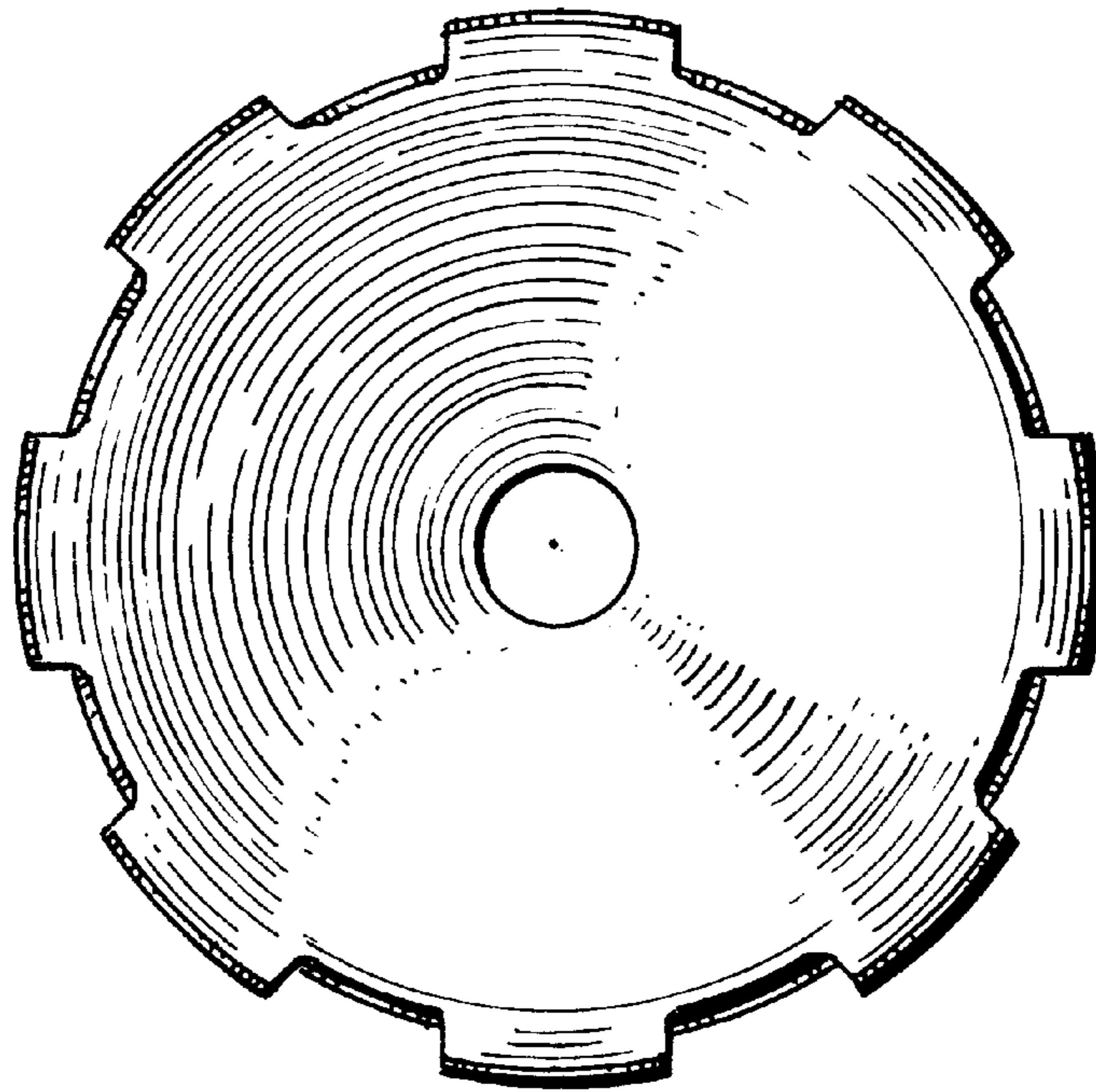


Fig. 3.

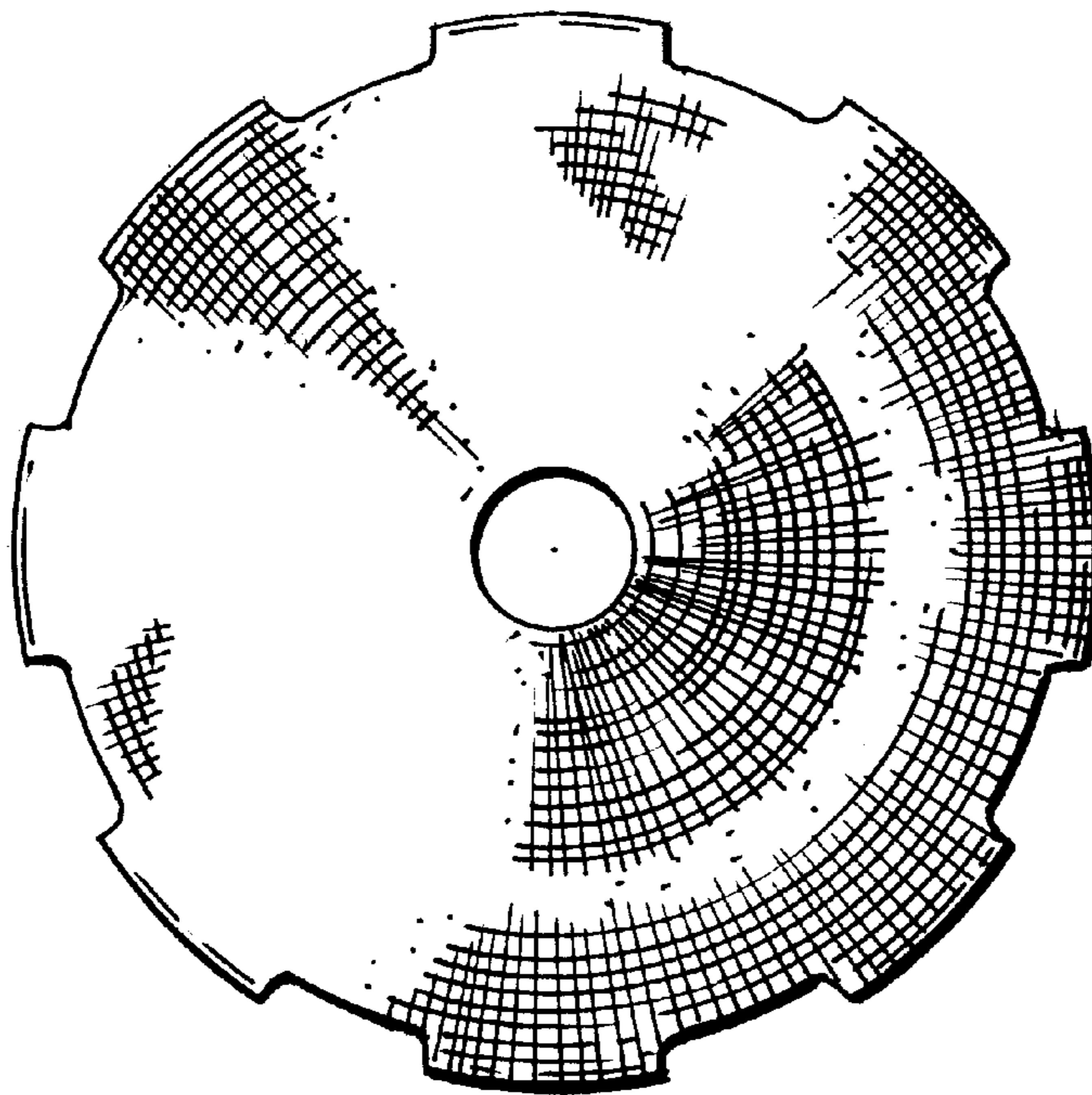


Fig. 4.