



US00D429334S

United States Patent [19]
Solem

[11] **Patent Number: Des. 429,334**

[45] **Date of Patent: ** Aug. 8, 2000**

[54] **GRAFT CONNECTOR**

5,755,682 5/1998 Knudson et al. 623/1
5,755,778 5/1998 Kleshinski 623/12

[76] Inventor: **Jan Otto Solem**, Nordmannavagen 20,
237 31 Bjarred, Sweden

Primary Examiner—Antoine Duval Davis
Attorney, Agent, or Firm—Browdy and Neimark

[**] Term: **14 Years**

[57] **CLAIM**

[21] Appl. No.: **29/110,170**

The ornamental design for a graft connector, as shown and described.

[22] Filed: **Sep. 2, 1999**

[30] **Foreign Application Priority Data**

DESCRIPTION

Mar. 3, 1999 [SE] Sweden 990410

FIG. 1 is a perspective view of a graft connector embodying the present invention;

[51] **LOC (7) Cl.** **24-03**

FIG. 2 is a side elevational view thereof;

[52] **U.S. Cl.** **D24/155**

FIG. 3 is a side elevational view taken from the opposite side from FIG. 2;

[58] **Field of Search** D24/155; 623/1,
623/12; 606/153

FIG. 4 is a front end view thereof;

FIG. 5 is a rear end view thereof;

[56] **References Cited**

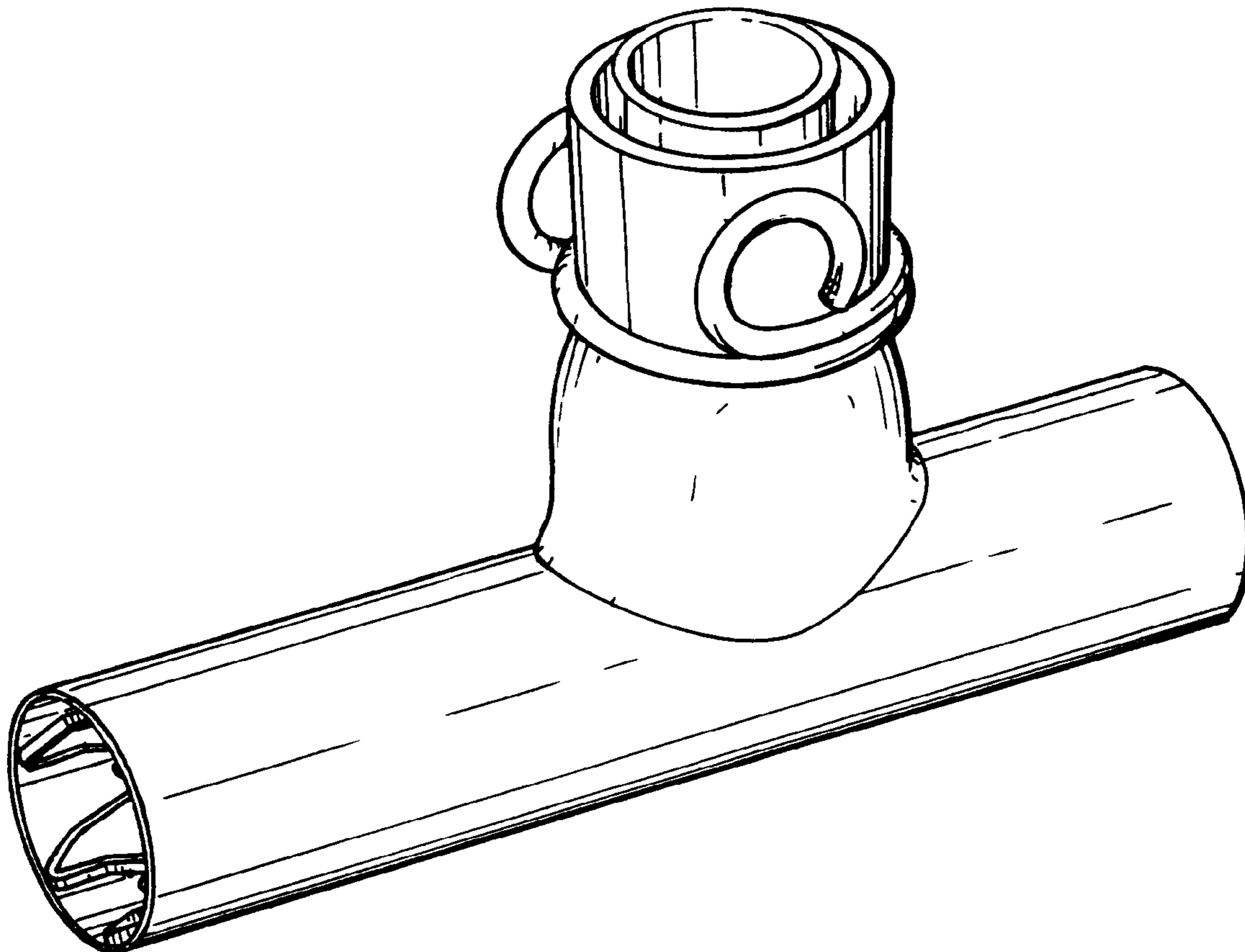
U.S. PATENT DOCUMENTS

4,795,465 1/1989 Marten 623/12
5,399,352 3/1995 Hanson 623/12

FIG. 6 is a top plan view thereof; and,

FIG. 7 is bottom plan view thereof.

1 Claim, 2 Drawing Sheets



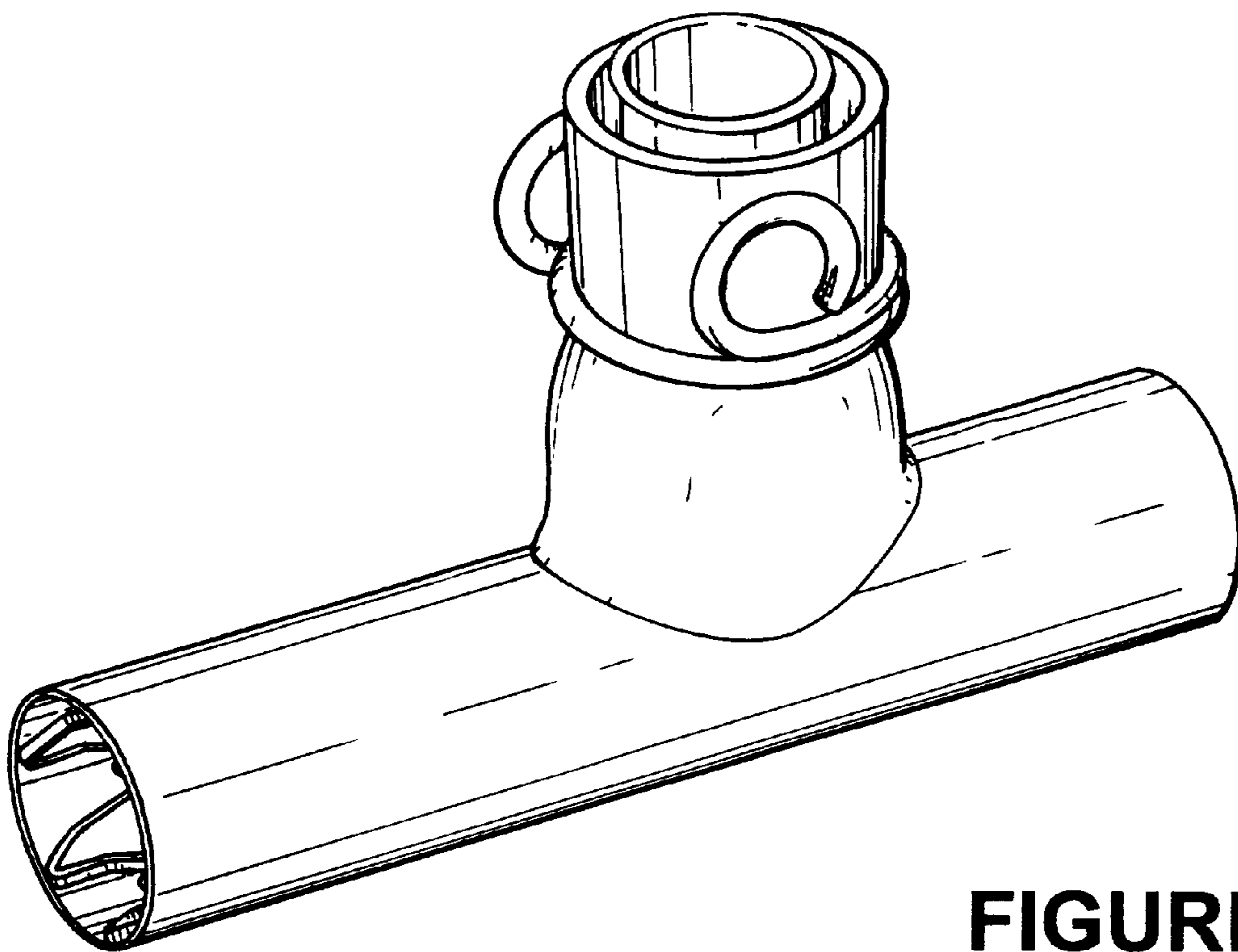


FIGURE 1

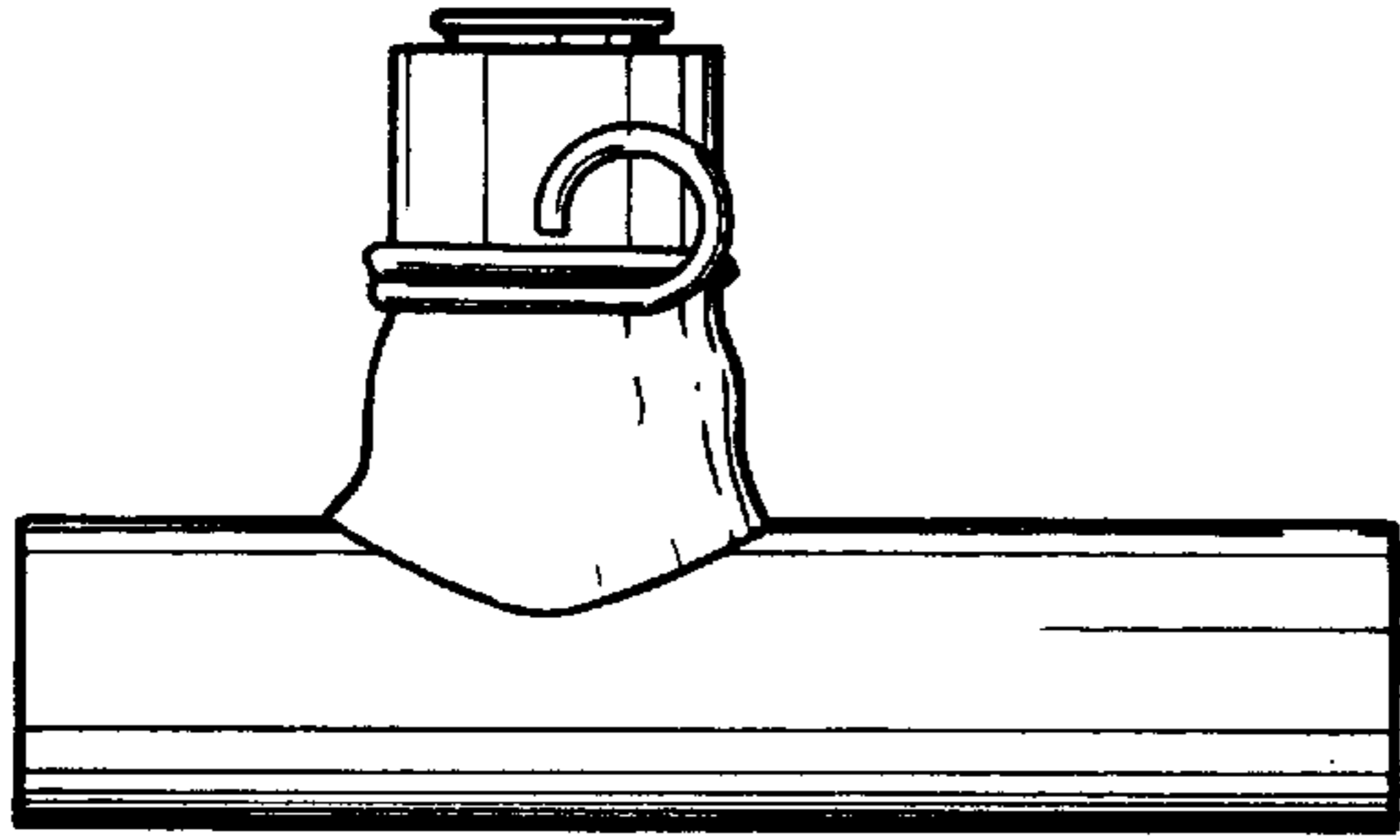


FIGURE 2

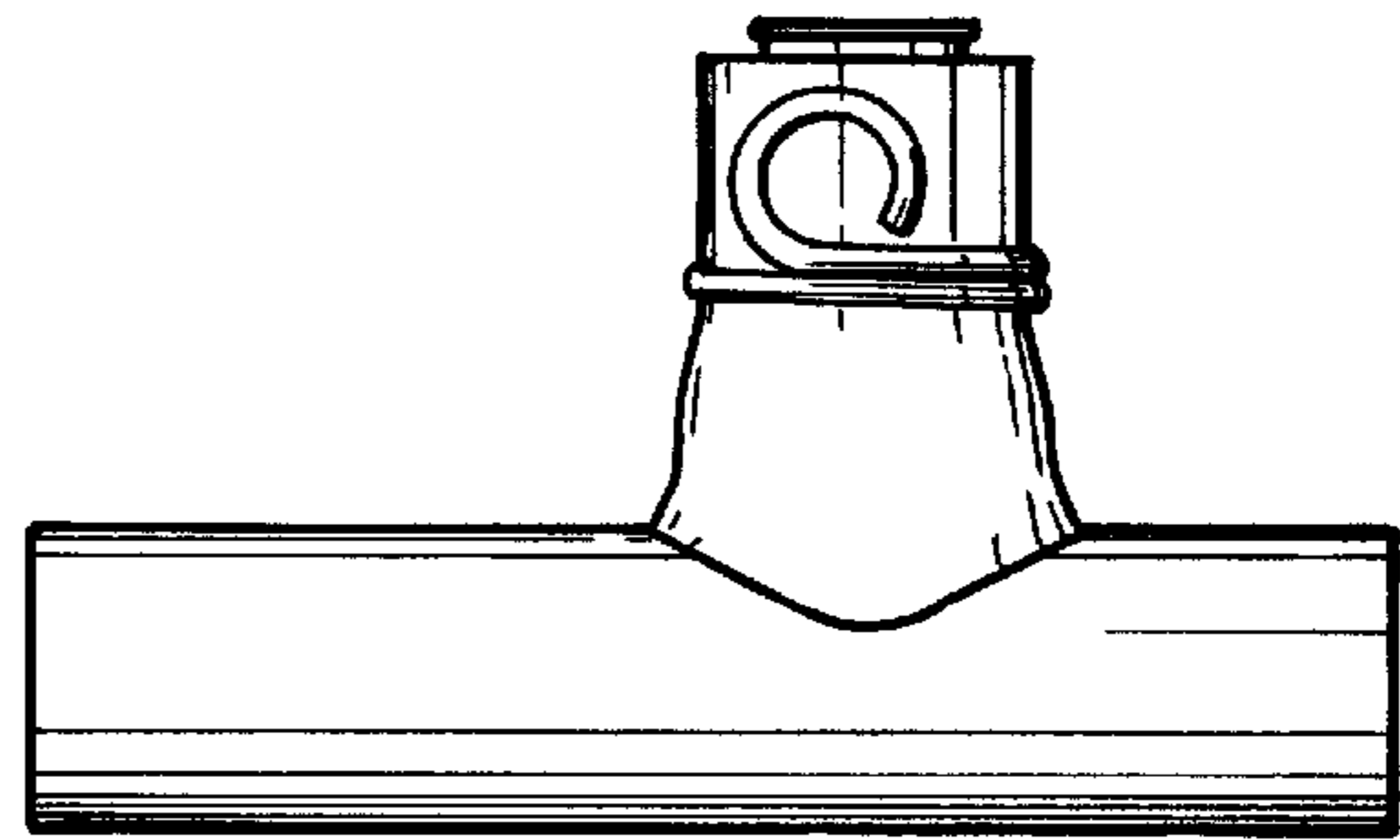


FIGURE 3

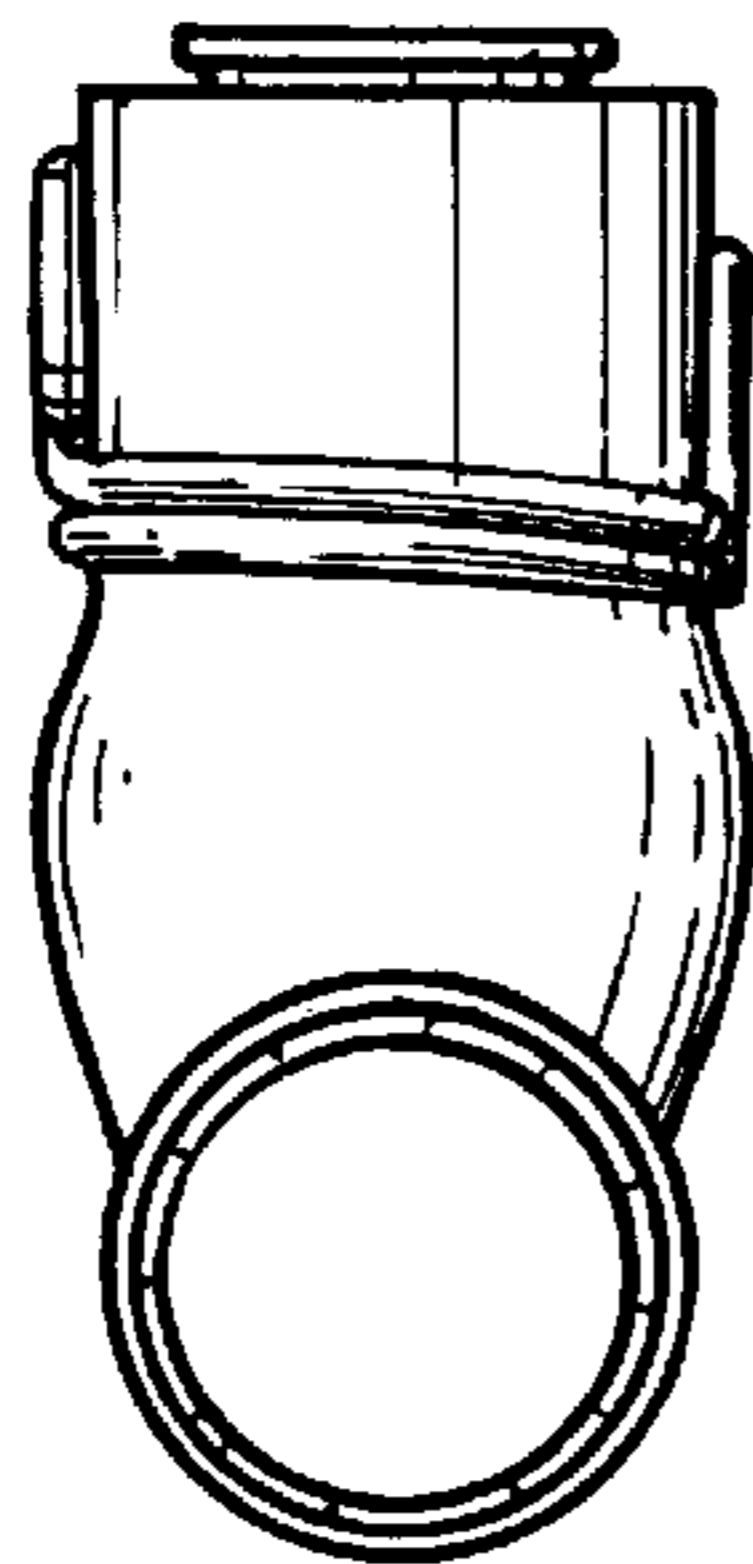


FIGURE 4

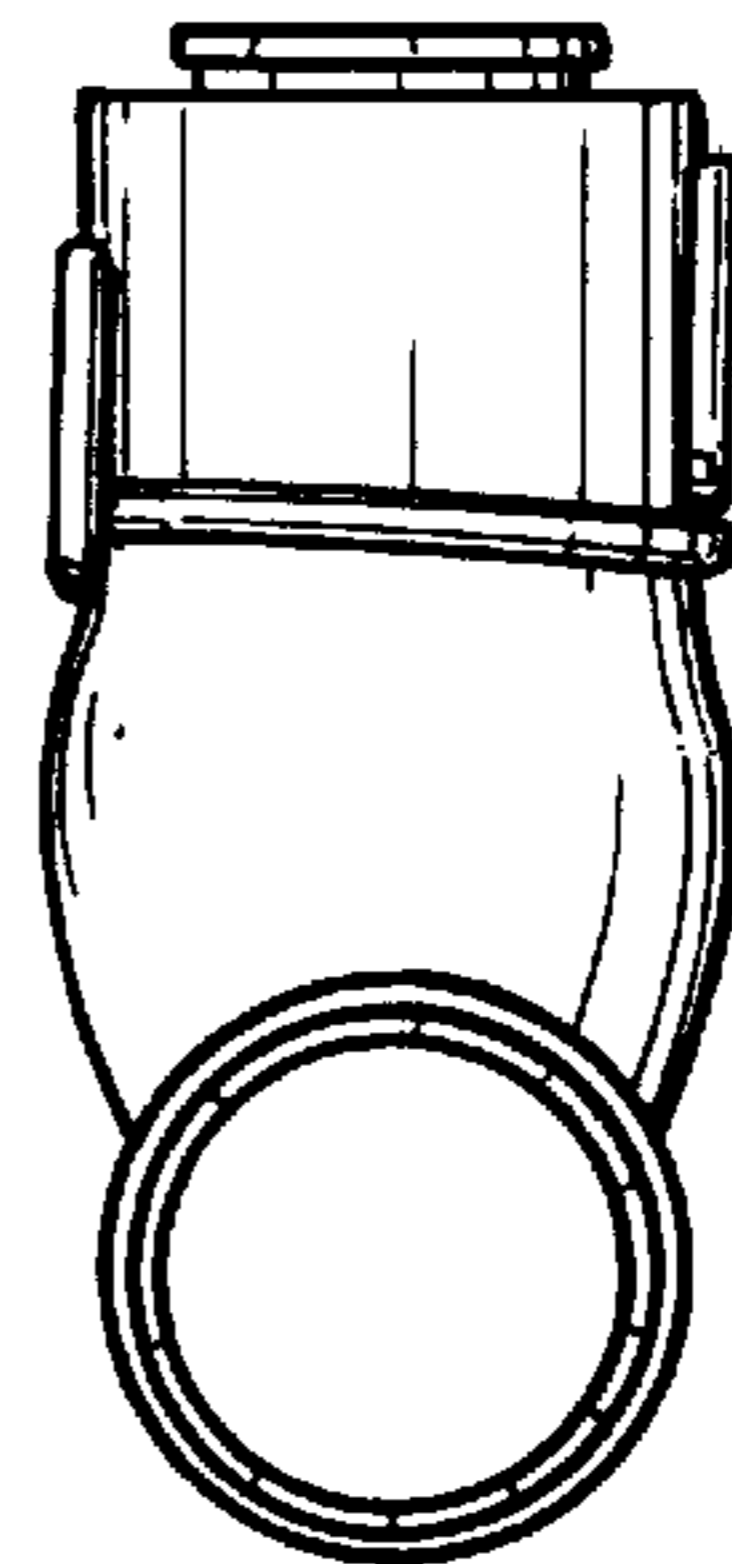


FIGURE 5

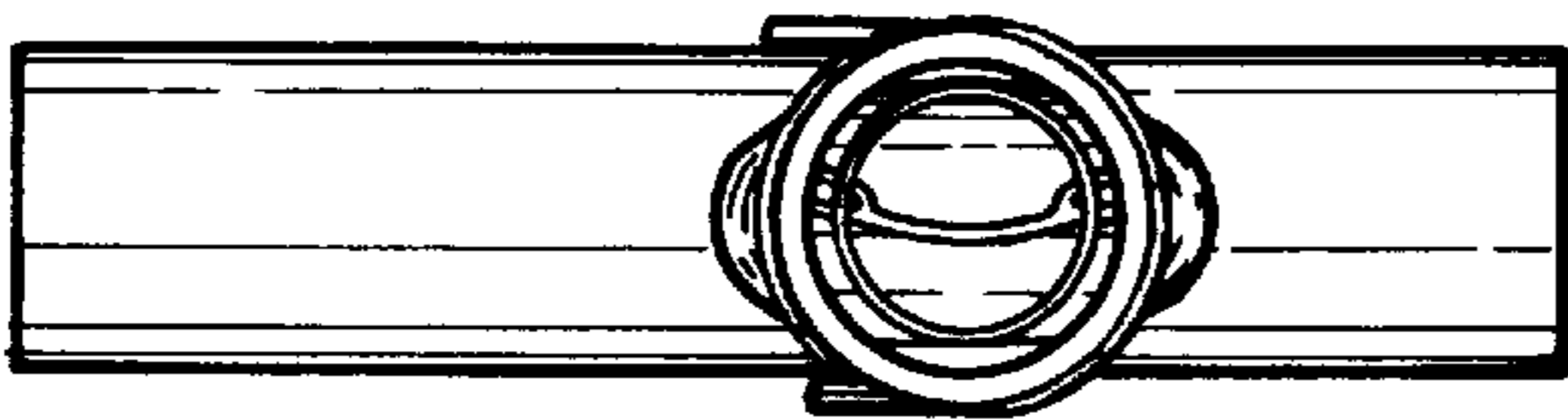


FIGURE 6

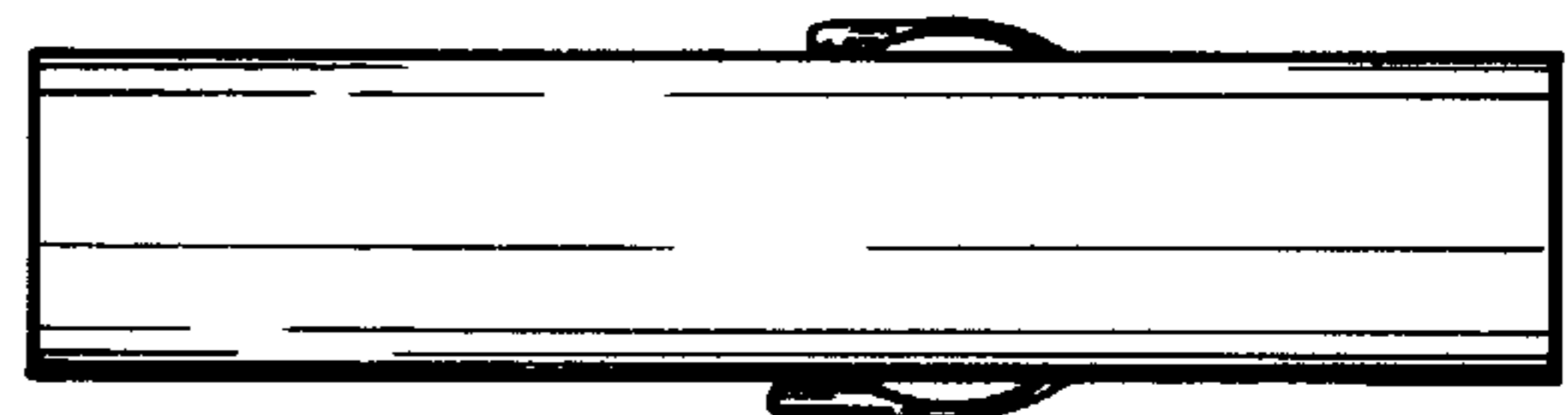


FIGURE 7