



US00D429333S

# United States Patent [19]

[11] **Patent Number: Des. 429,333**

**Sanders et al.**

[45] **Date of Patent: \*\* Aug. 8, 2000**

[54] **COMBINED MEDICAL TESTING DEVICE AND CHARGING UNIT**

5,860,421 1/1999 Eppstein et al. .... 600/442  
5,924,981 7/1999 Rothfritz et al. .... 600/306

[75] Inventors: **Walter Richard Sanders**, Duluth;  
**George R. Downie, Jr.**, Tucker;  
**Edward Lindsay Kimbrell**, Buford;  
**Joseph Suarez**, Tucker; **Glenn Steven Arche**, Duluth, all of Ga.

*Primary Examiner*—Ian Simmons  
*Attorney, Agent, or Firm*—Fleshner & Kim, LLP

### [57] CLAIM

The ornamental design for a combined medical testing device and charging unit, as shown and described.

[73] Assignee: **SpectRx, Inc.**, Norcross, Ga.

### DESCRIPTION

[\*\*] Term: **14 Years**

FIG. 1 is a front view of a combined medical testing device showing our new design;  
FIG. 2 is a rear view thereof;  
FIG. 3 is a left side view thereof, the right side view being a mirror image;  
FIG. 4 is a top view thereof;  
FIG. 5 is a bottom view thereof;  
FIG. 6 is a perspective view thereof;  
FIG. 7 is a front view of a charging unit showing our new design;  
FIG. 8 is a top view thereof;  
FIG. 9 is a rear view thereof;  
FIG. 10 is a bottom view thereof; and  
FIG. 11 is a right side view thereof, the left side being a mirror image; and,  
FIG. 12 is an exploded side view showing the medical testing device and the charging unit together.

[21] Appl. No.: **29/085,679**

[22] Filed: **Mar. 27, 1998**

[51] **LOC (7) Cl.** ..... **24-02**

[52] **U.S. Cl.** ..... **D24/137**

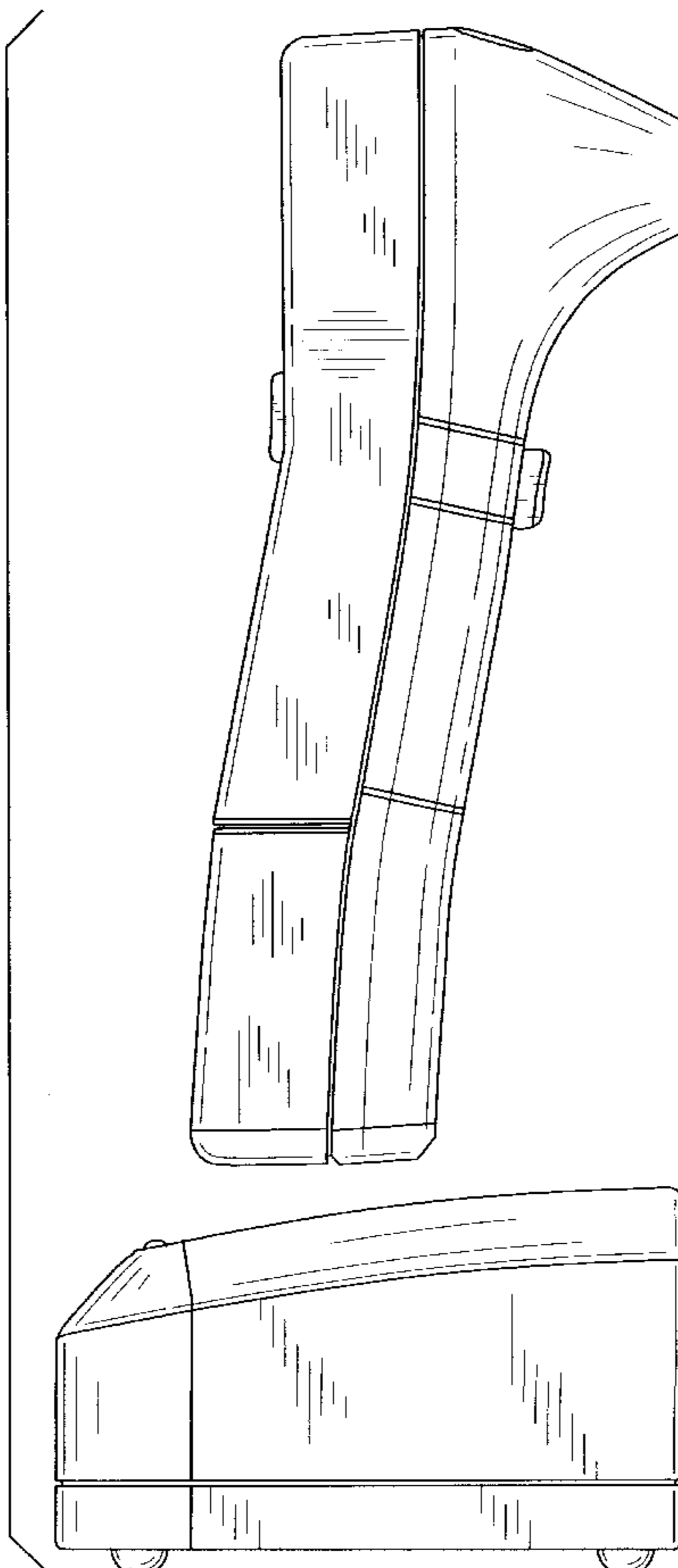
[58] **Field of Search** ..... D24/137, 151,  
D24/173; D13/107, 108; 600/306, 309,  
310, 437, 315, 442, 472, 474, 476, 443

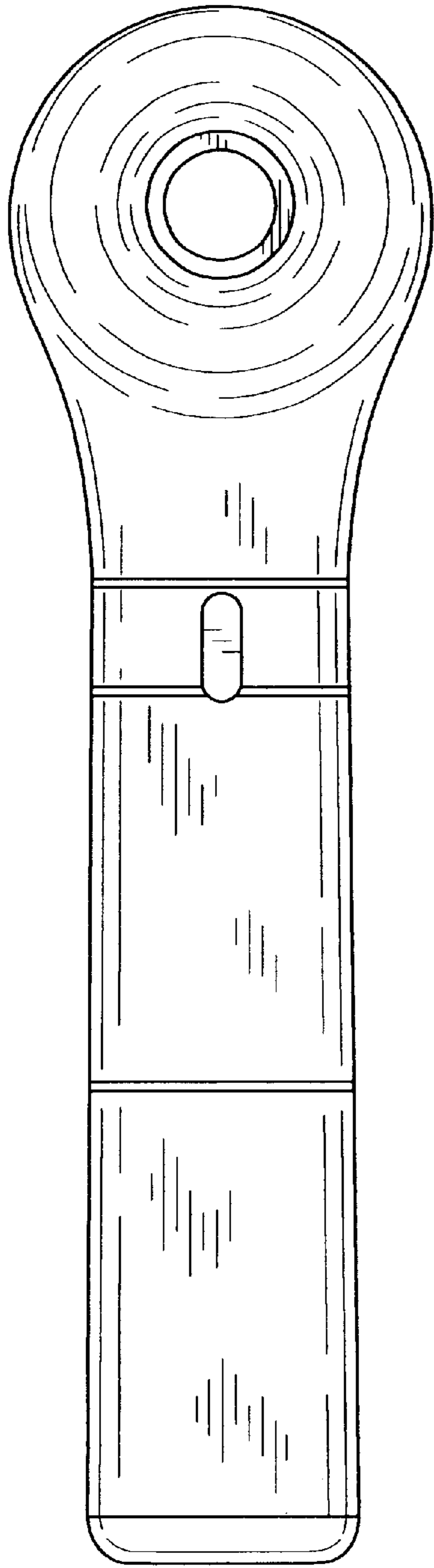
### [56] References Cited

#### U.S. PATENT DOCUMENTS

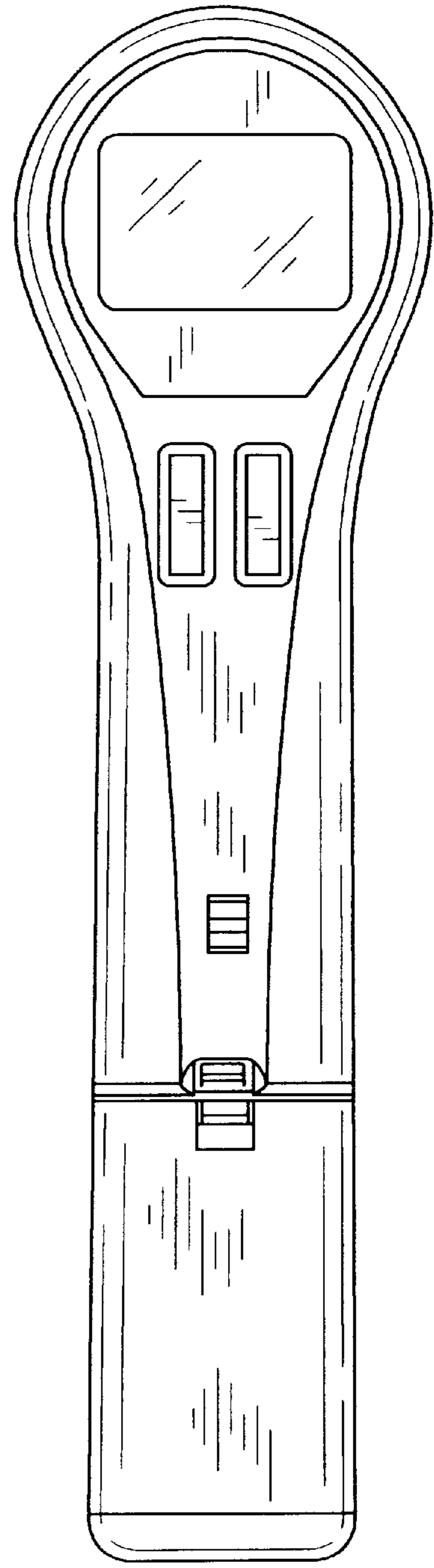
D. 350,540	9/1994	Hyvonen	.....	D14/149
D. 377,393	1/1997	Sams	.....	D24/137
D. 402,258	12/1998	Kawakami	.....	D13/107
D. 408,914	4/1999	Kimball et al.	.....	D24/151
5,792,049	8/1998	Eppstein et al.	.....	600/306

**1 Claim, 8 Drawing Sheets**

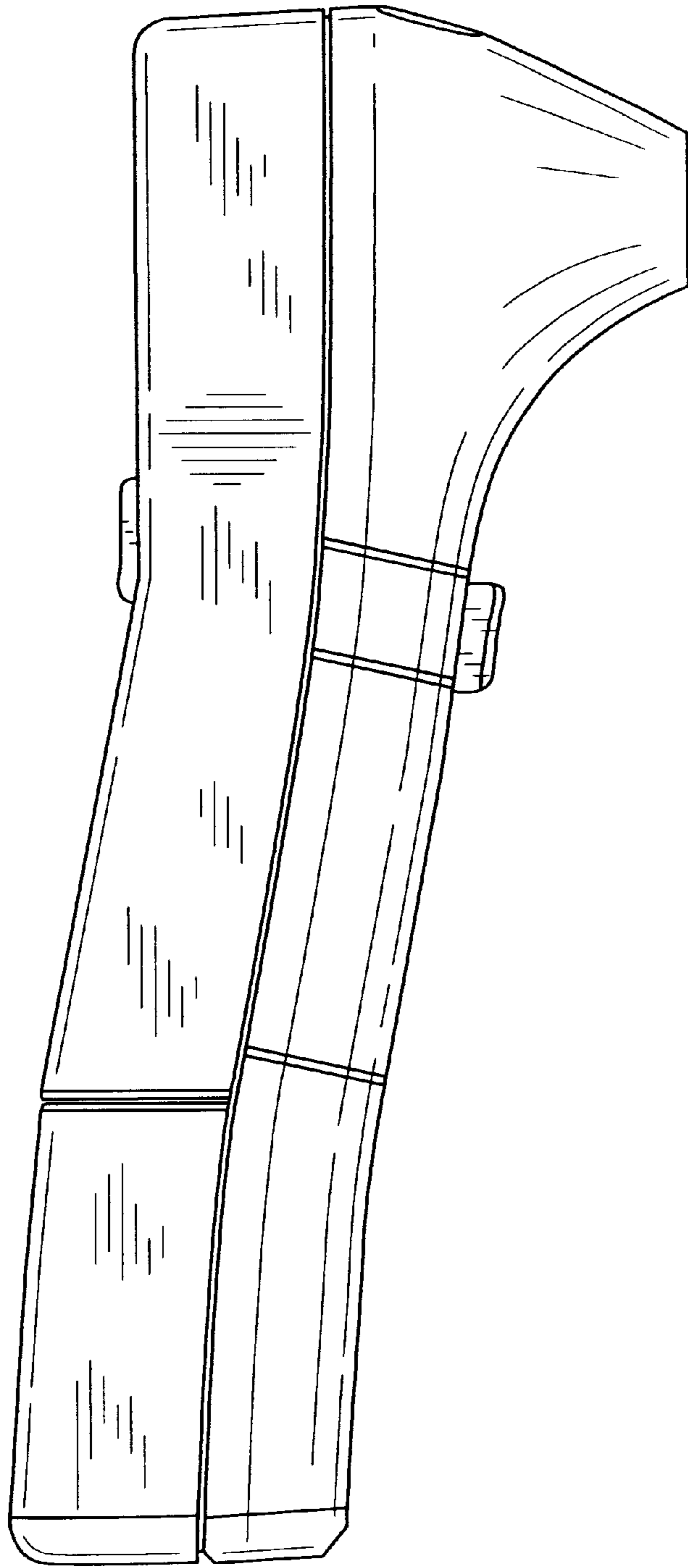




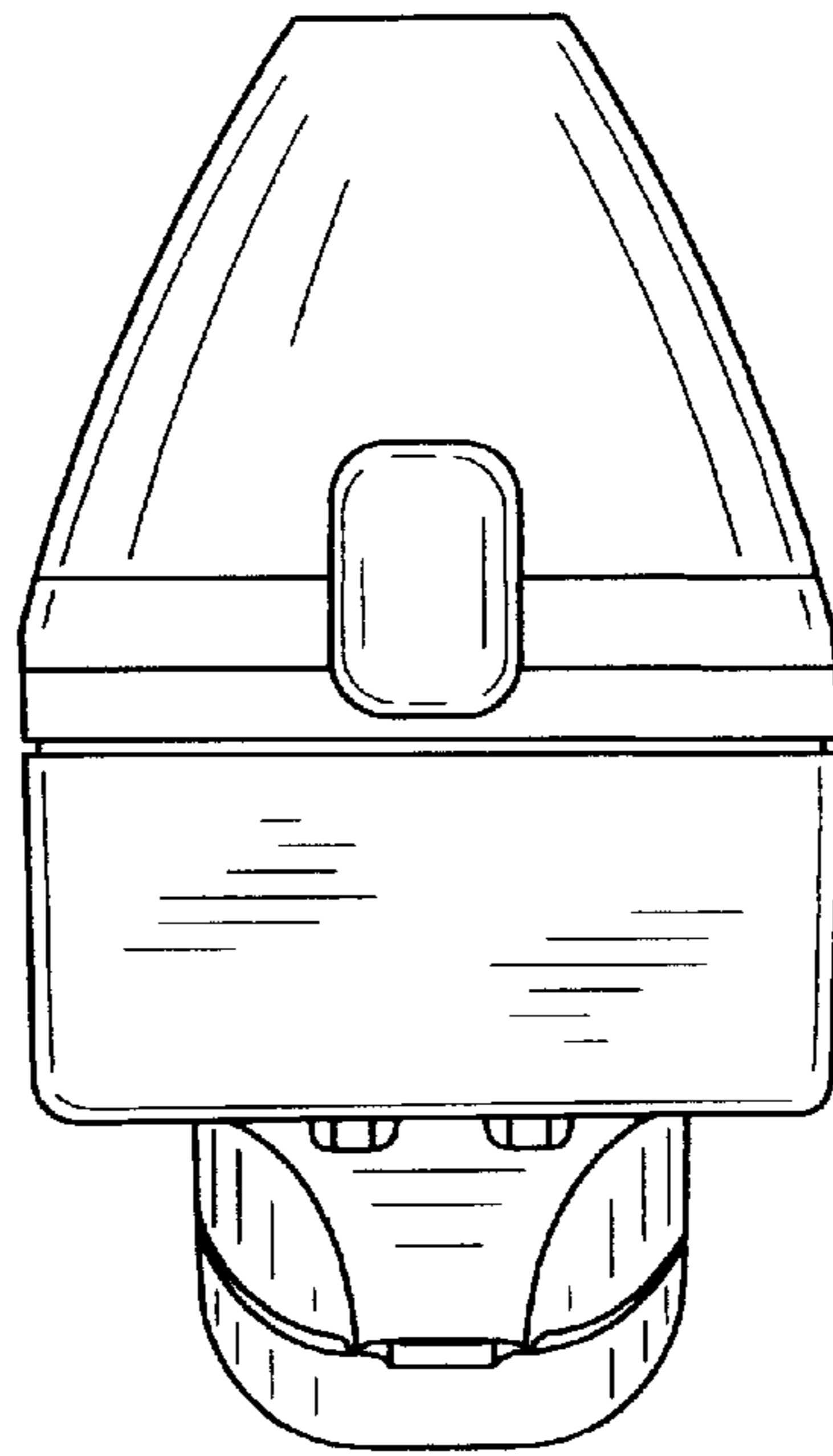
**FIG. 1**



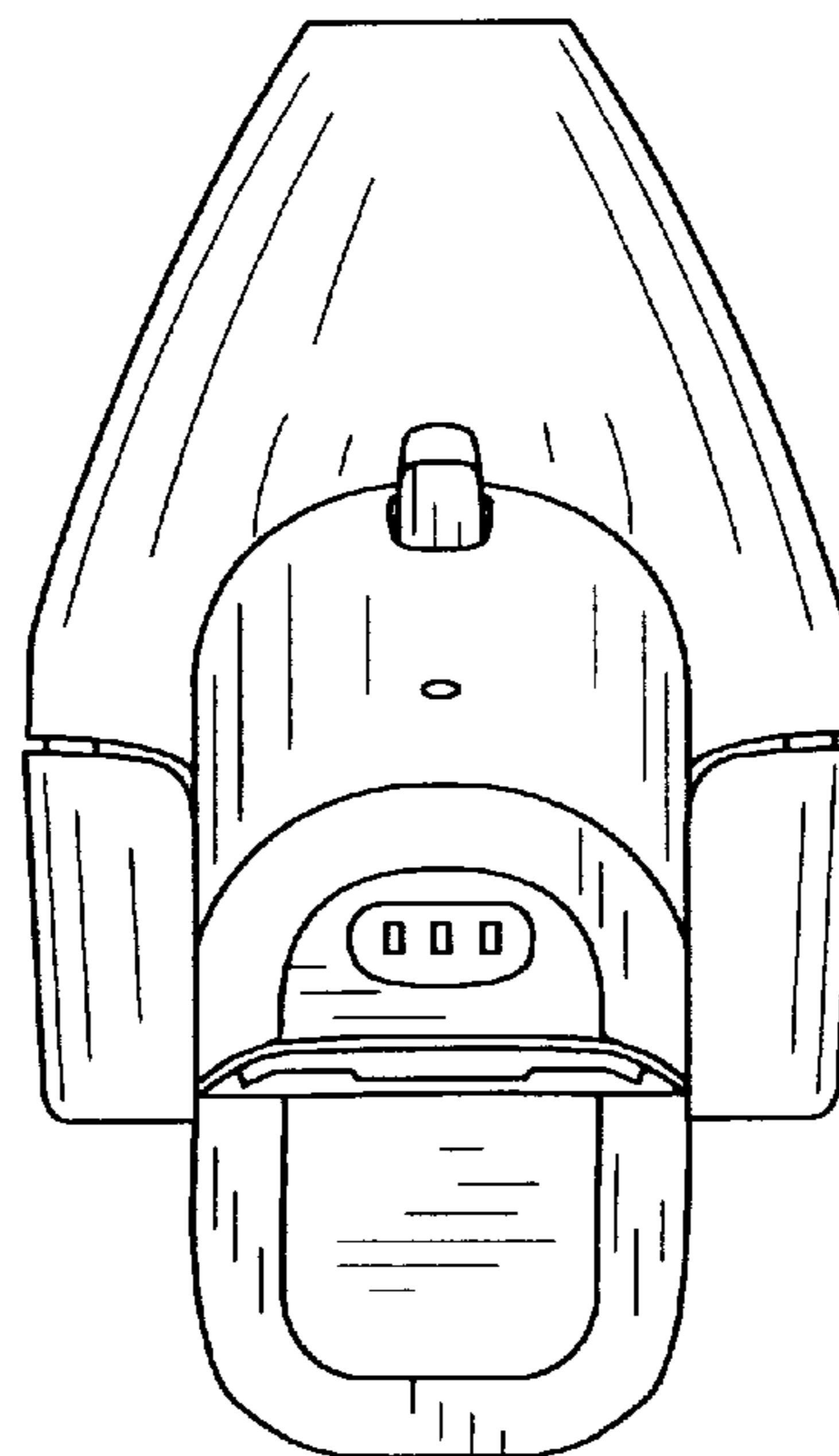
**FIG. 2**



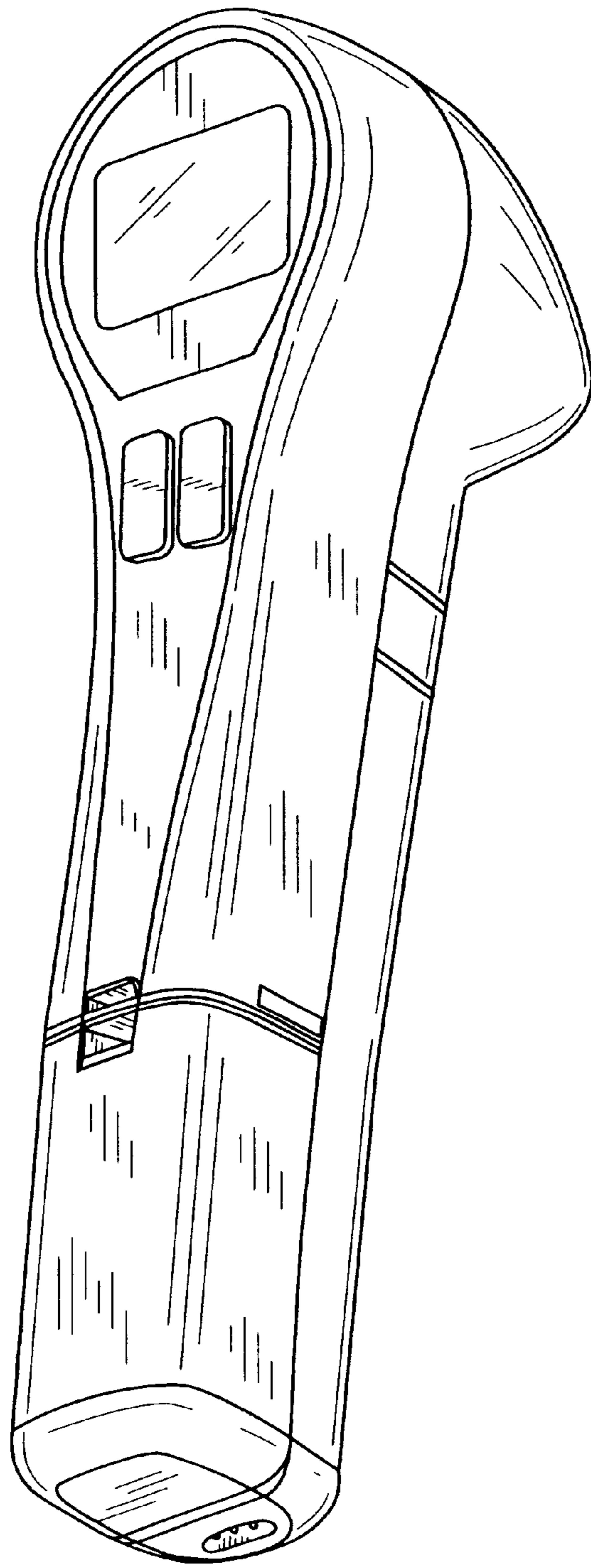
**FIG.3**



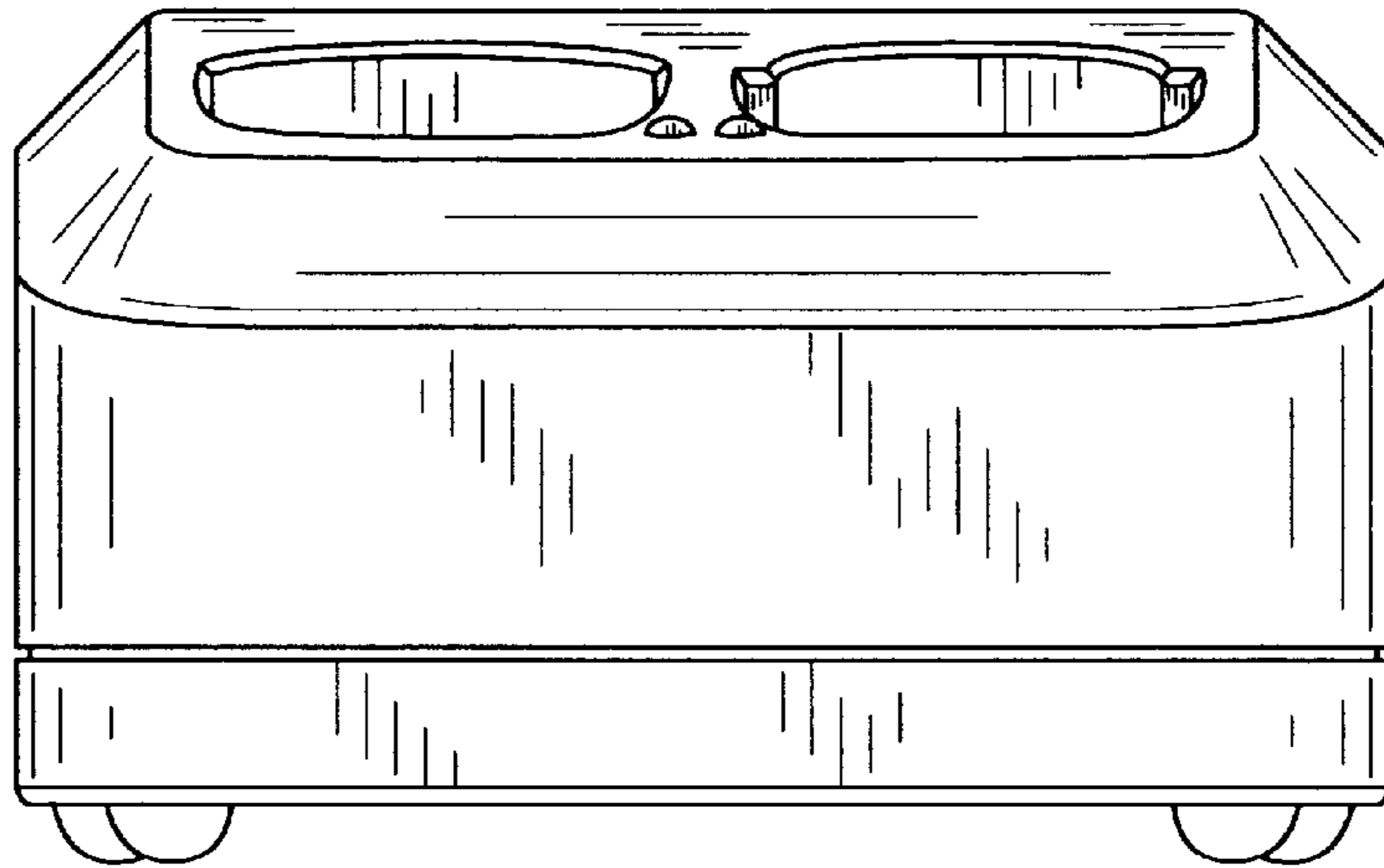
**FIG.4**



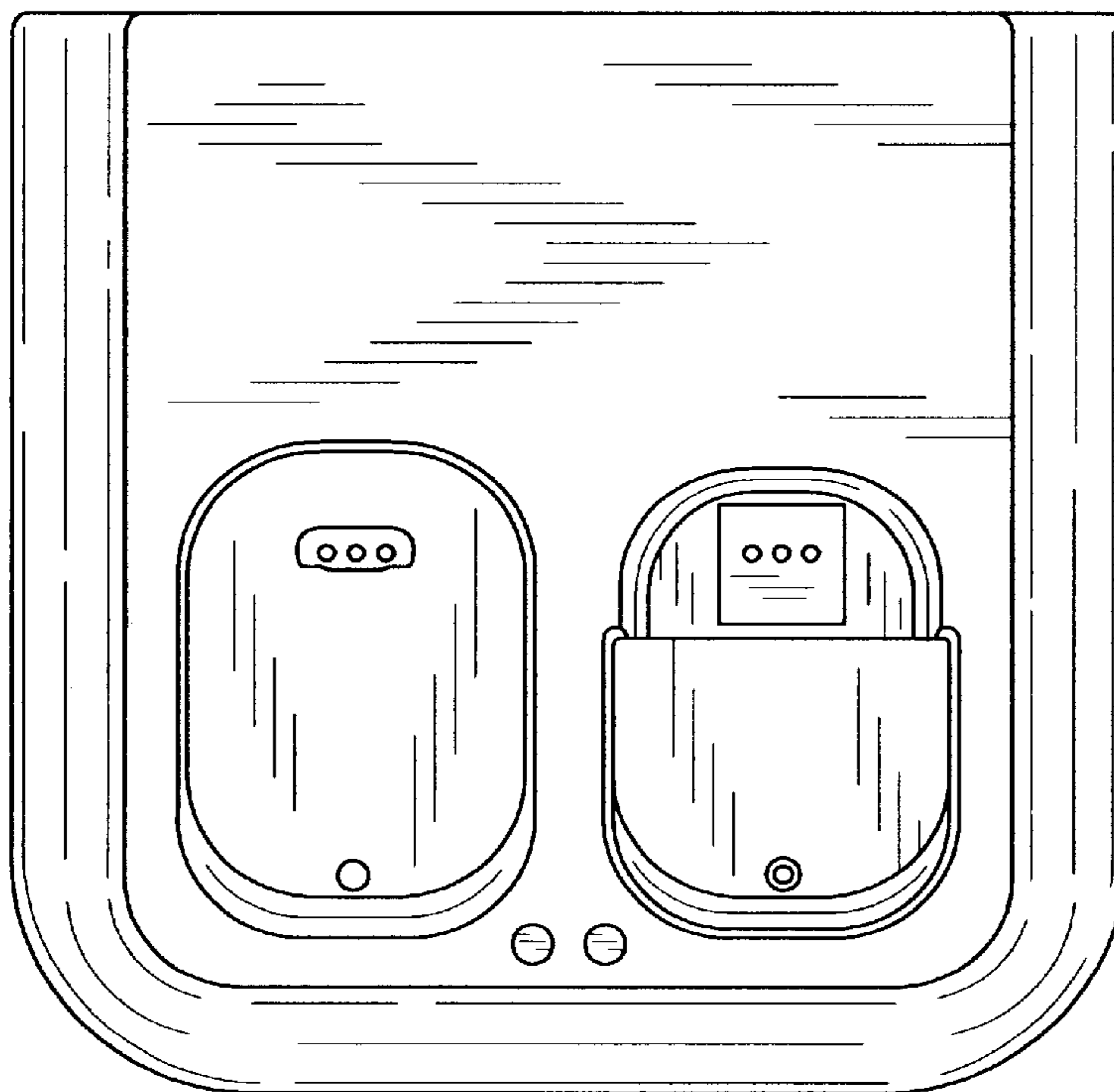
**FIG.5**



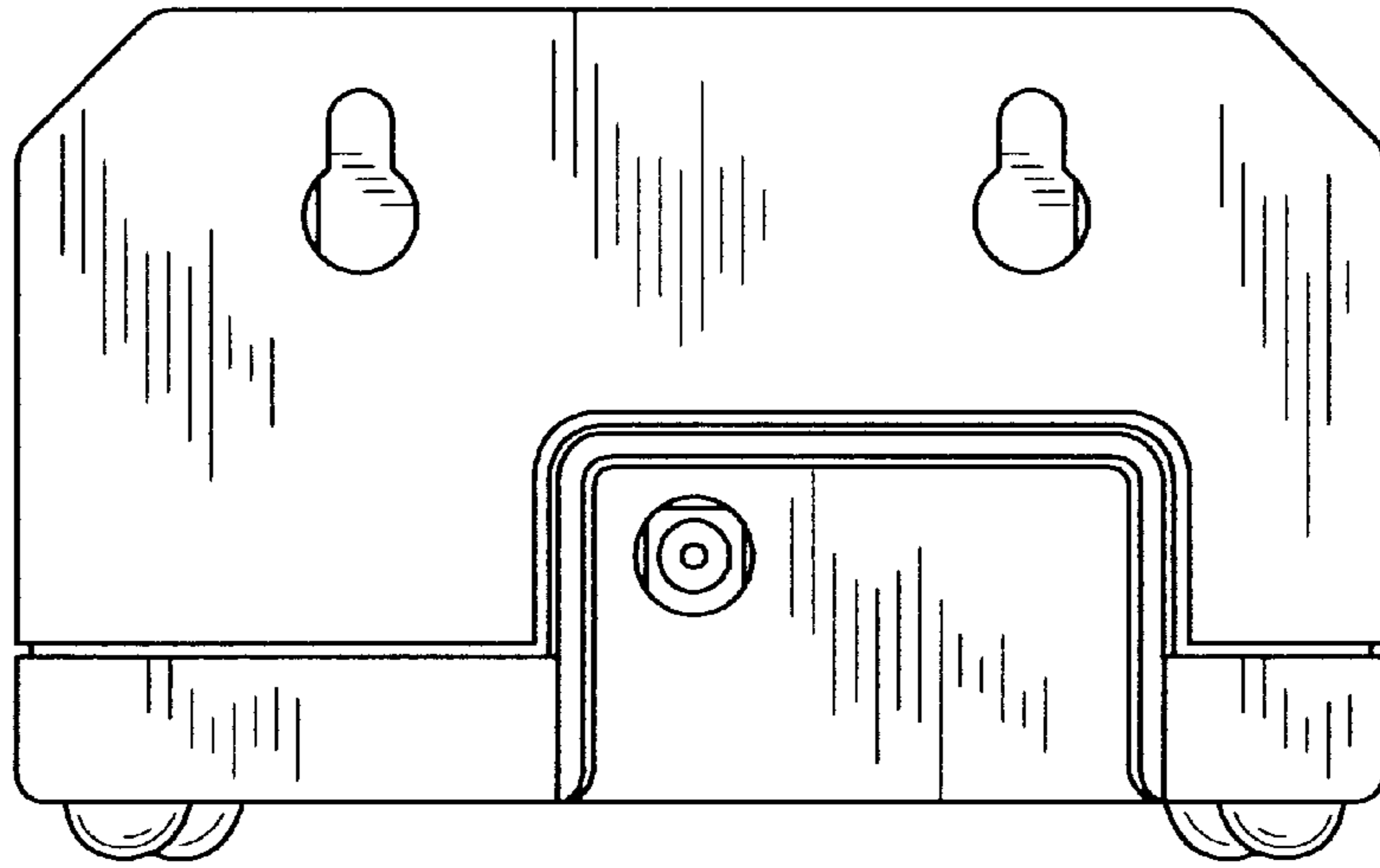
**FIG.6**



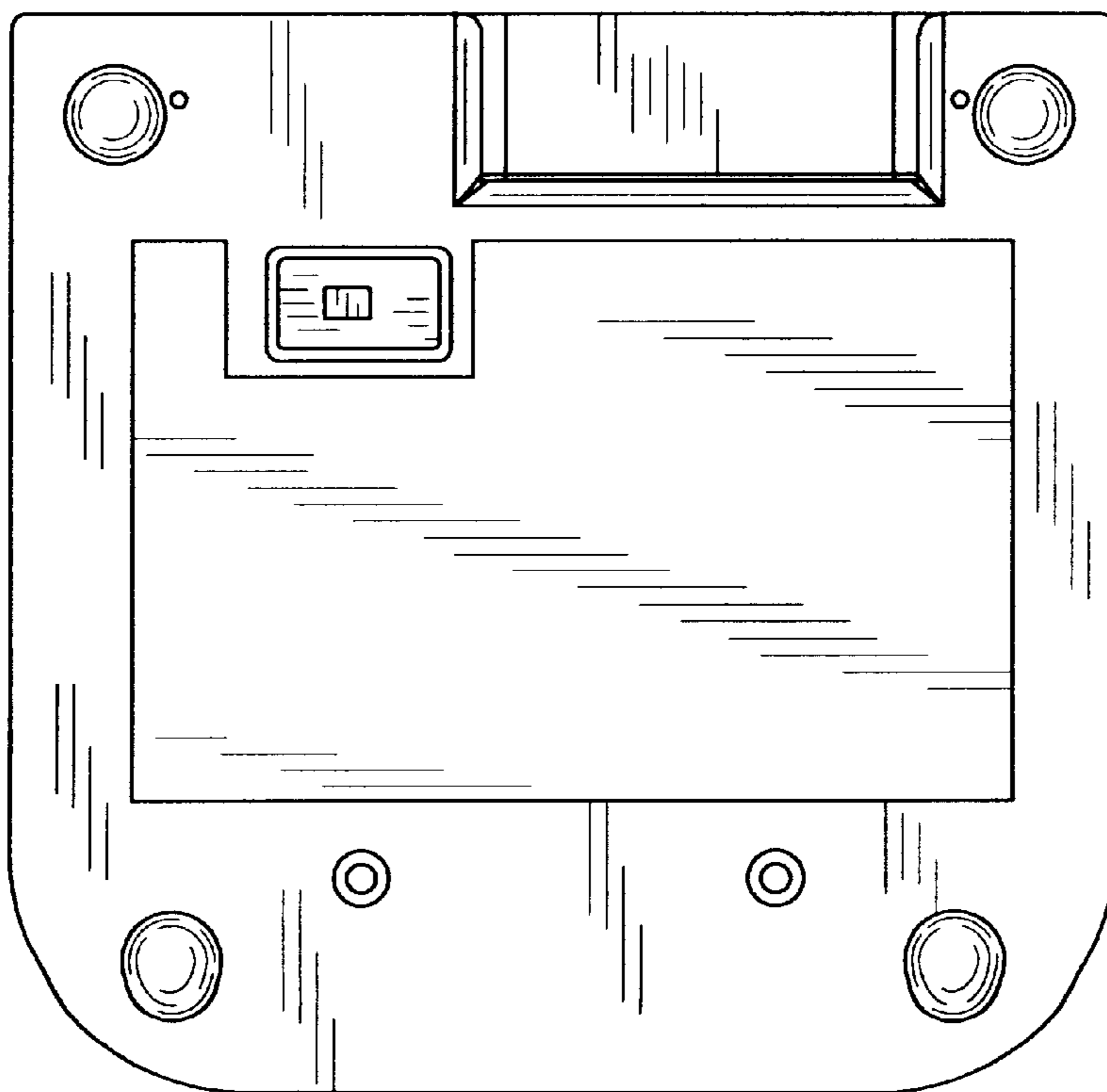
**FIG. 7**



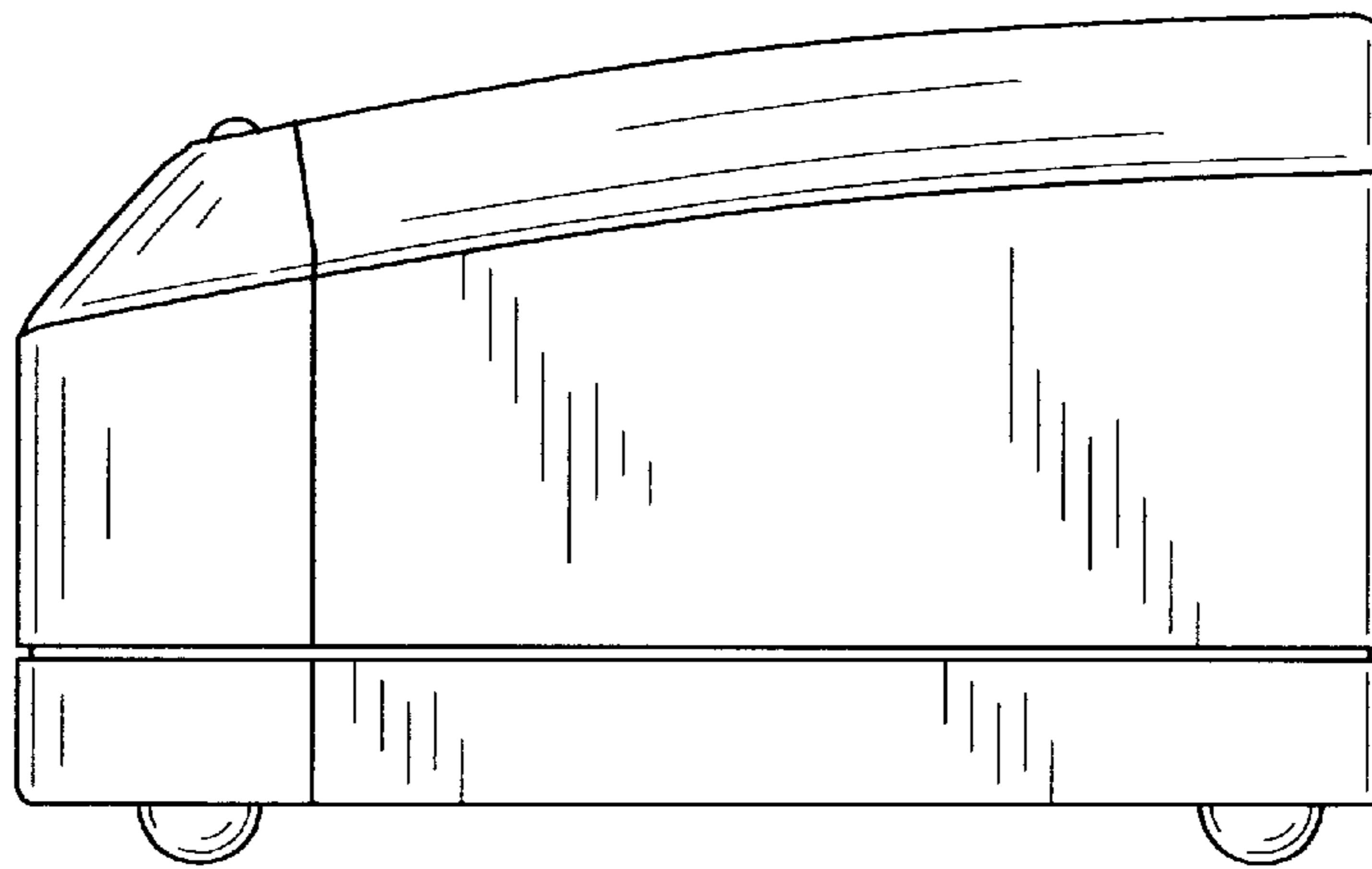
**FIG. 8**



**FIG. 9**

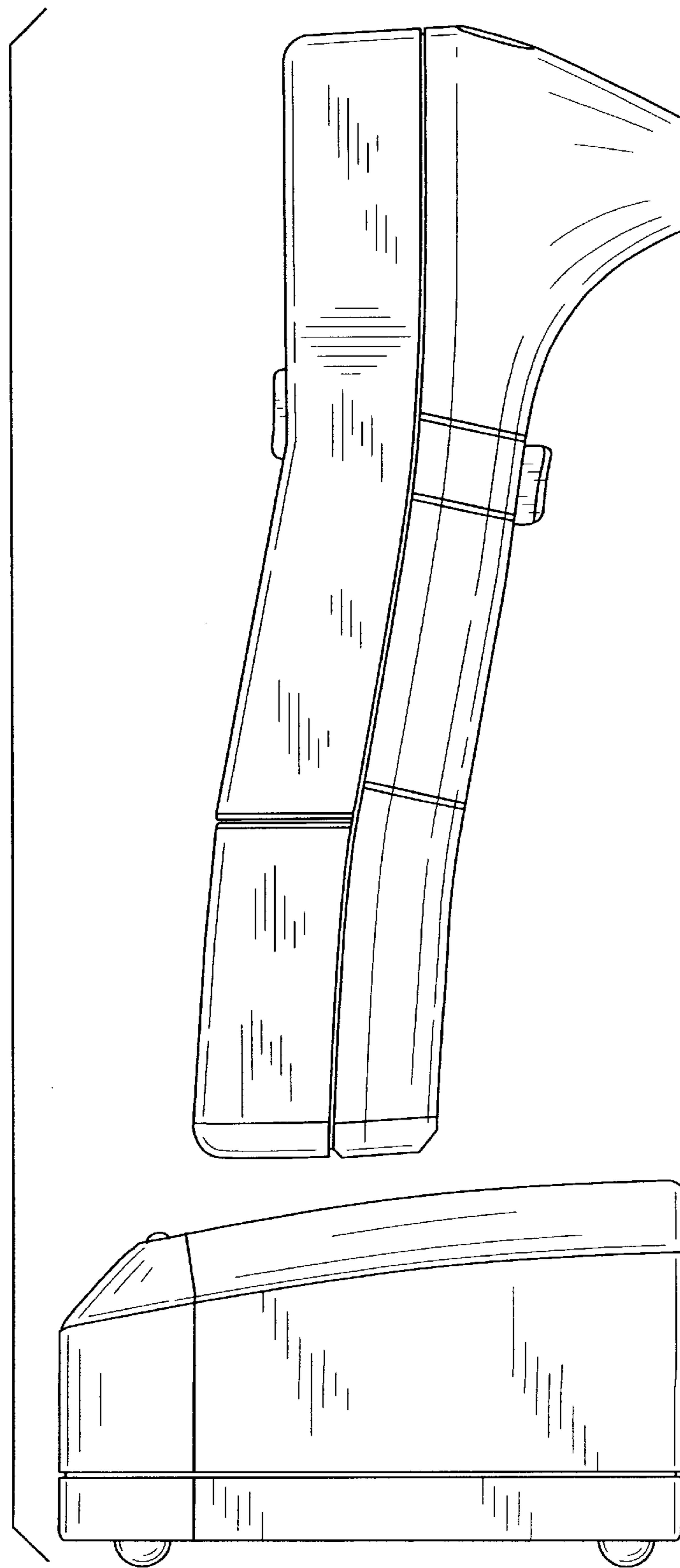


**FIG. 10**



**FIG.11**





**FIG.12**