



US00D429332S

United States Patent [19]

Ierulli

[11] **Patent Number: Des. 429,332**

[45] **Date of Patent: ** Aug. 8, 2000**

[54] **NOSTRIL DILATOR**

5,961,537 10/1999 Gould 606/204.45

[76] Inventor: **Joseph V. Ierulli**, 3926 SW. Water Ave., Portland, Oreg. 97201

Primary Examiner—Louis S. Zarfes
Assistant Examiner—I Simmons
Attorney, Agent, or Firm—Olson & Olson

[**] Term: **14 Years**

[57] **CLAIM**

[21] Appl. No.: **29/095,702**

The ornamental design of a nostril dilator, as shown and described.

[22] Filed: **Oct. 28, 1998**

[51] **LOC (7) Cl.** **24-02**

[52] **U.S. Cl.** **D24/135**; D24/189

[58] **Field of Search** D24/135, 189;
28/200.24, 207.18; 606/199, 204.45; 604/180,
307, 308; 602/58, 56, 55, 54

DESCRIPTION

FIG. 1 is a side elevational view shown in use of a nostril dilator showing my new design. The broken line showing of a person is for illustrative purposes only and forms no part of the claimed design;

FIG. 2 is a top plan view thereof;

FIG. 3 is a front elevational view thereof;

FIG. 4 is a rear elevational view thereof;

FIG. 5 is a right side elevational view thereof, the left side elevational views being a mirror image thereto; and,

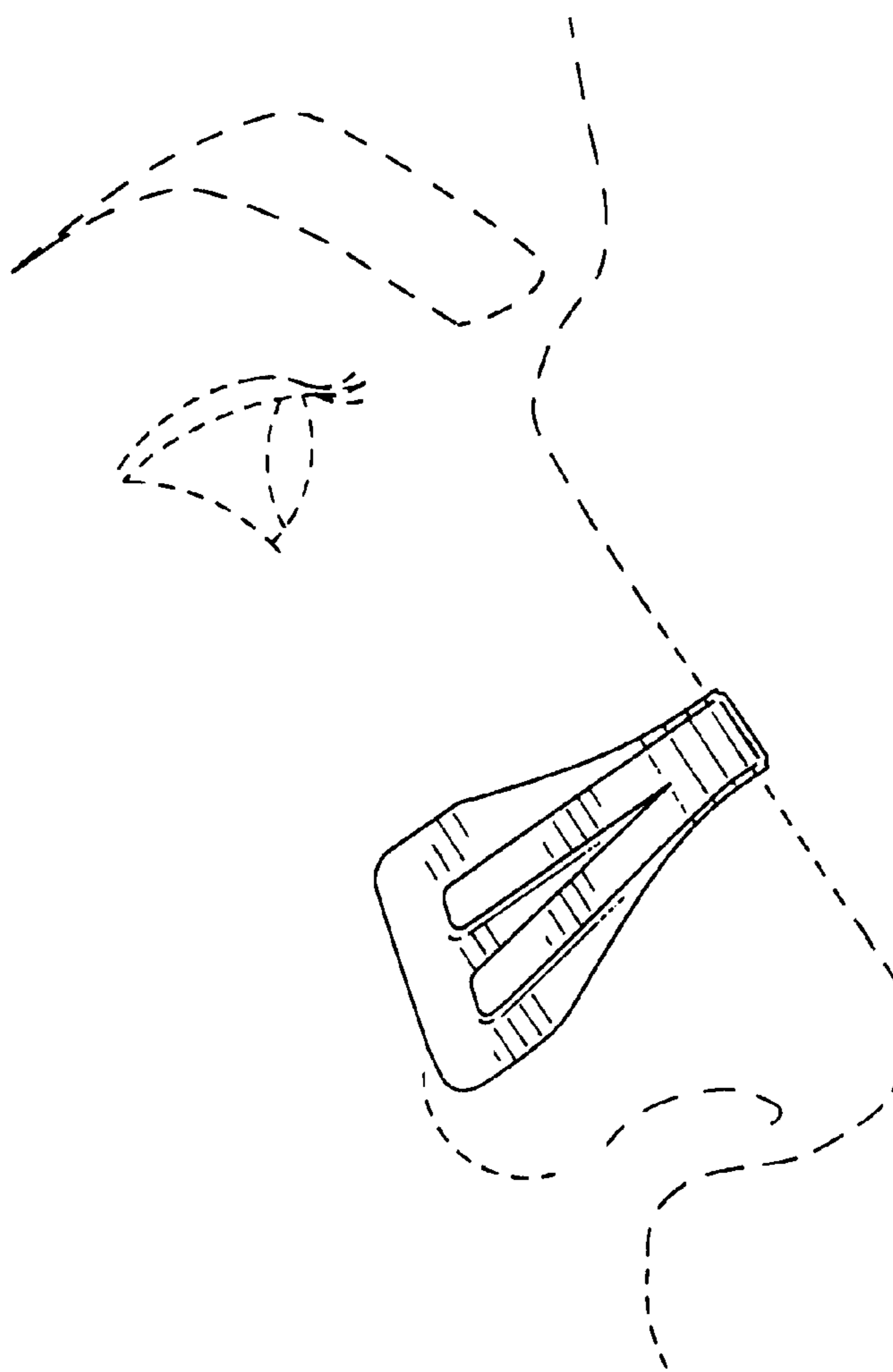
FIG. 6 is a bottom plan view thereof.

[56] **References Cited**

U.S. PATENT DOCUMENTS

D. 379,153	5/1997	Ierulli	D24/135
5,533,499	7/1996	Johnson	128/200.24
5,611,333	3/1997	Johnson	128/200.24
5,718,224	2/1998	Muchin	128/200.24
5,890,486	4/1999	Mitra et al.	128/200.24

1 Claim, 1 Drawing Sheet



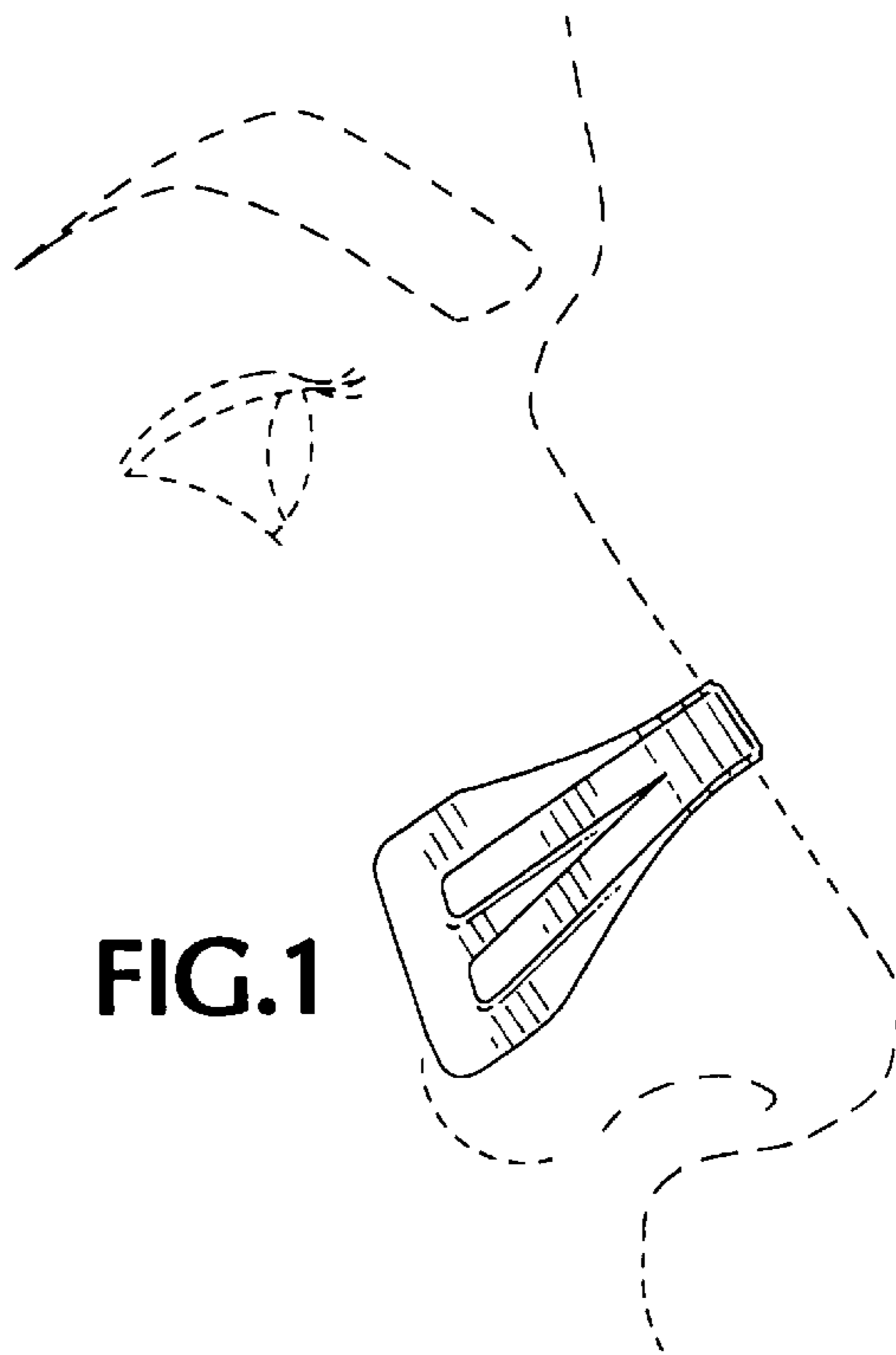


FIG.1

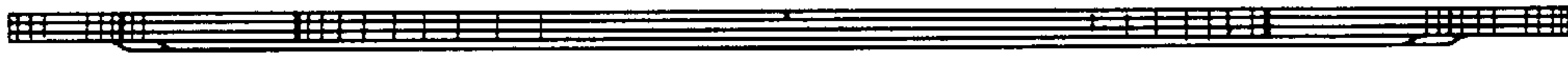


FIG.3

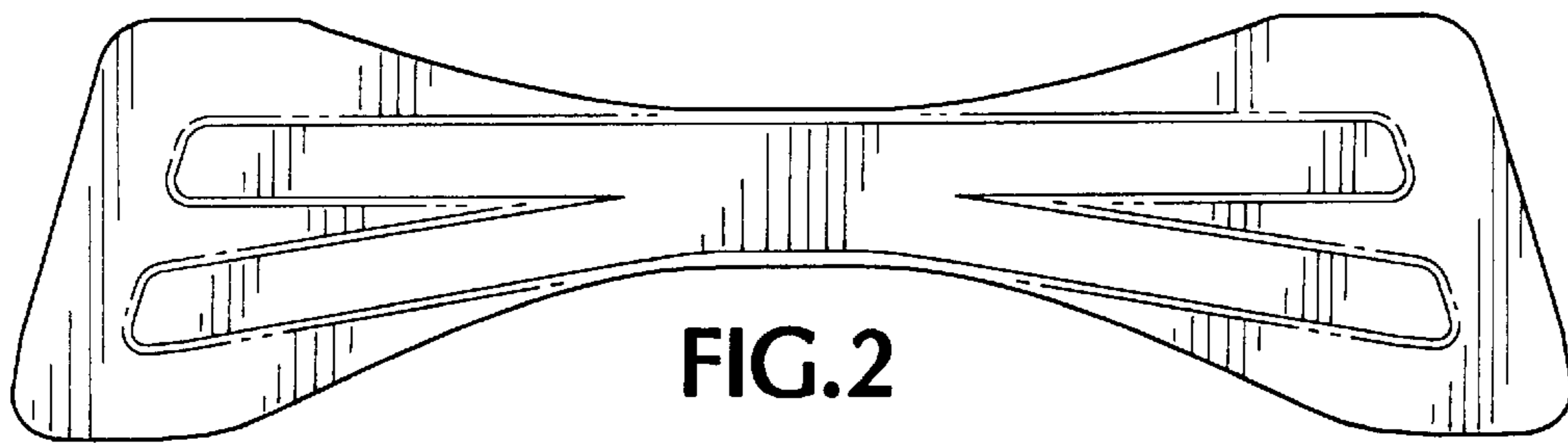


FIG.2



FIG.5



FIG.4

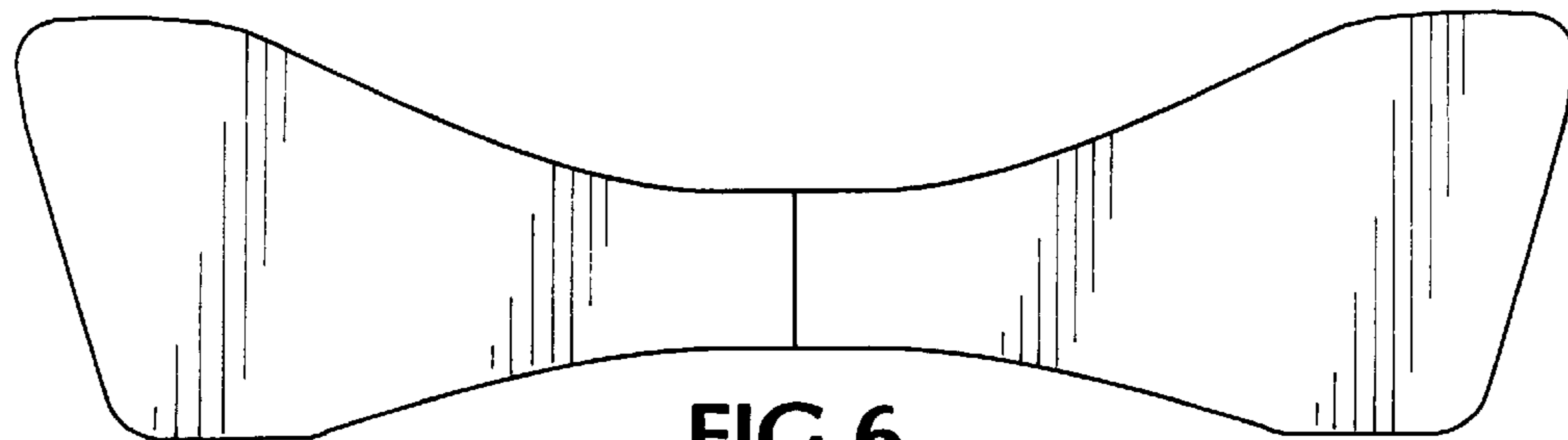


FIG.6