



US00D429330S

United States Patent [19]
Hoenic

[11] **Patent Number: Des. 429,330**

[45] **Date of Patent: ** Aug. 8, 2000**

[54] **POSITIVE END EXPIRATORY PRESSURE (PEEP) VALVE**

4,655,213 4/1987 Rapoport et al. 128/205.25
5,647,355 7/1997 Starr et al. 128/205.24

[75] Inventor: **Richard Hoenic**, Totowa, N.J.

Primary Examiner—Ian Simmons
Attorney, Agent, or Firm—R. Gale Rhodes, Jr.

[73] Assignee: **Vital Signs, Inc.**, Totowa, N.J.

[**] Term: **14 Years**

[57] **CLAIM**

I claim the ornamental design for the positive end expiratory pressure (peep) valve, as shown and described.

[21] Appl. No.: **29/100,908**

DESCRIPTION

[22] Filed: **Feb. 22, 1999**

[51] **LOC (7) Cl.** **29-02**

[52] **U.S. Cl.** **D24/110.6**

[58] **Field of Search** D24/110.6, 110;
D23/266, 262, 263, 233, 247, 248, 267;
128/205.24, 204.18, 204.23, 205.25

FIG. 1 is a front view of the positive and expiratory pressure (peep) valve;
FIG. 2 is a top view thereof;
FIG. 3 is a bottom view thereof;
FIG. 4 is a left side elevational view thereof taken from FIG. 1 (the right side elevational view is a mirror image of FIG. 4);
FIG. 5 is a rear view thereof; and,
FIG. 6 is a perspective view thereof.

[56] **References Cited**

U.S. PATENT DOCUMENTS

D. 300,272 3/1989 Rudolph et al. D24/110.6
D. 307,183 4/1990 Kalayjian D24/110

1 Claim, 2 Drawing Sheets

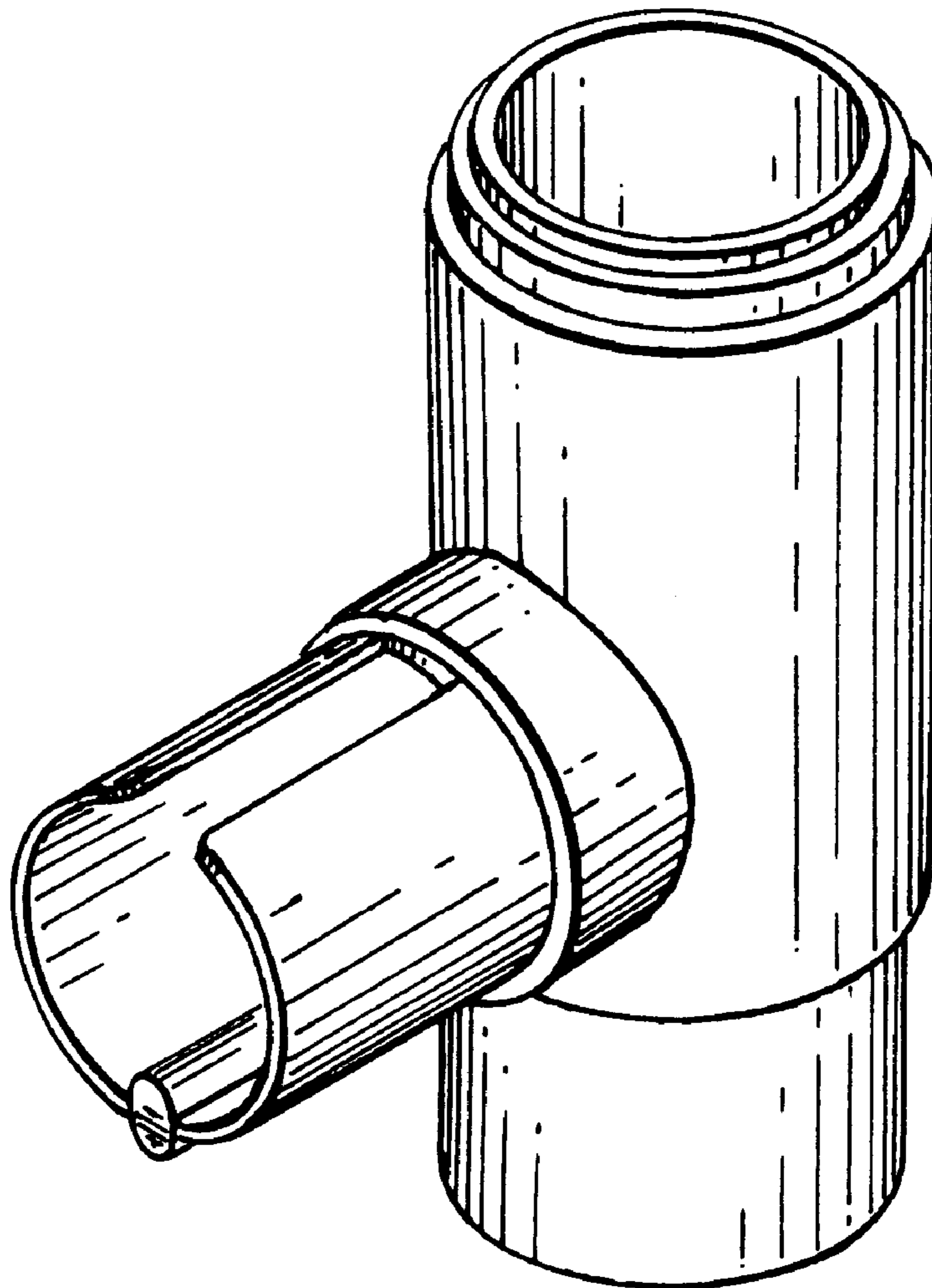


FIG. 1

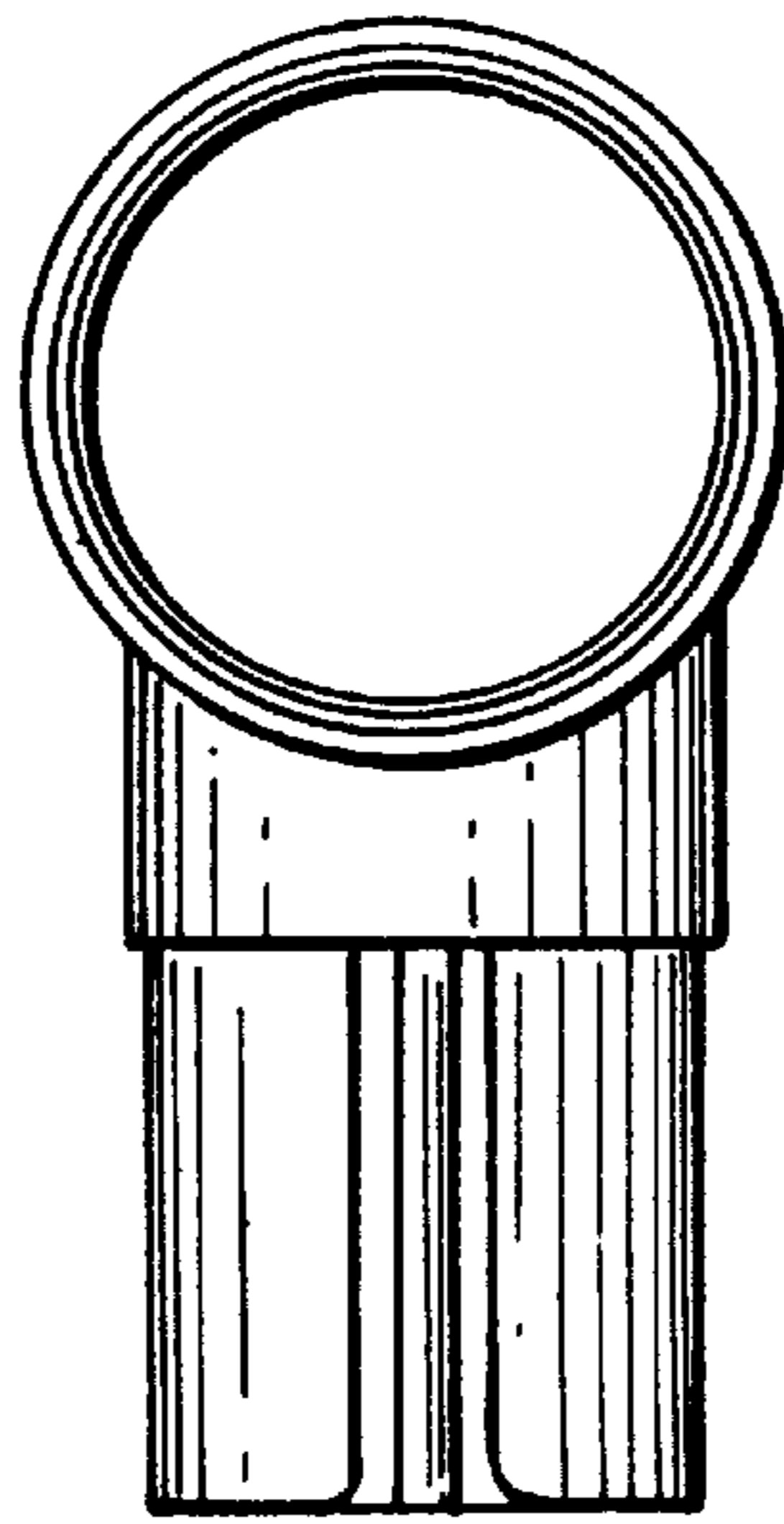
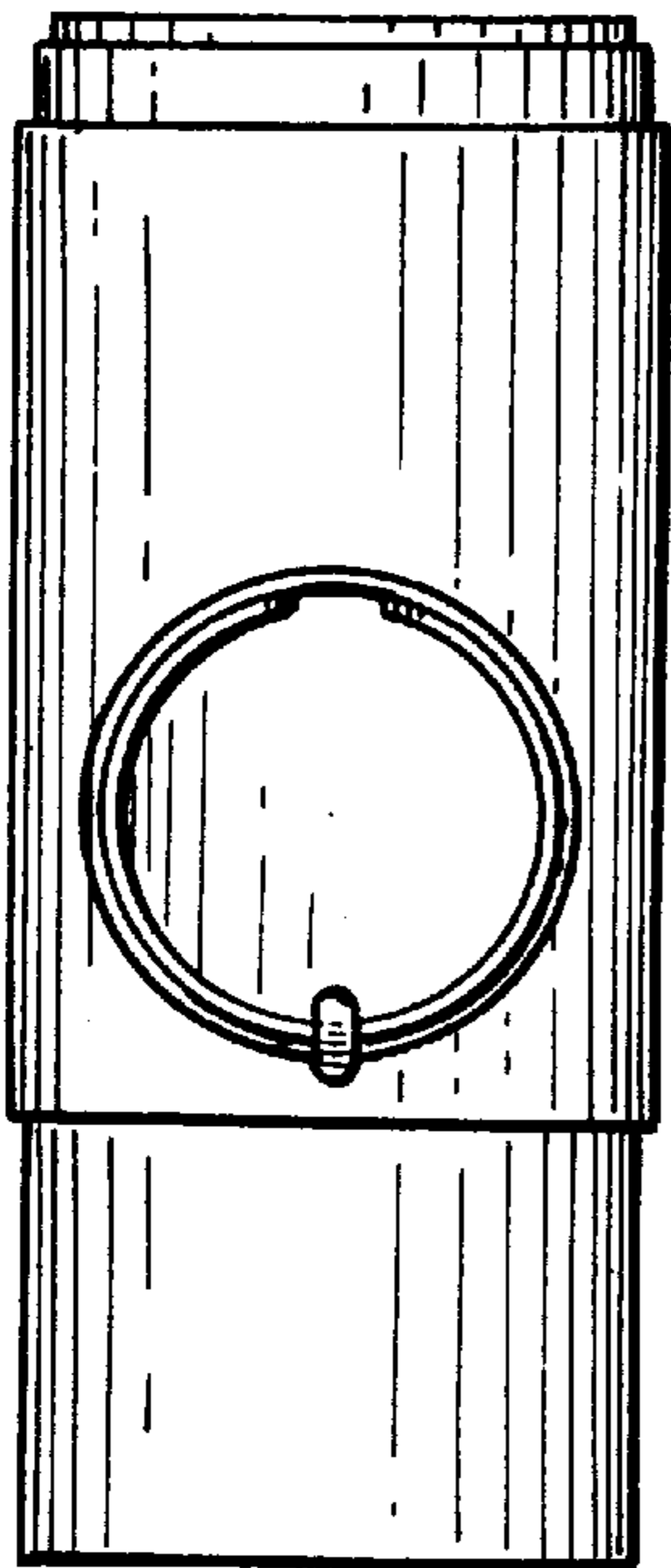


FIG. 2

FIG. 4

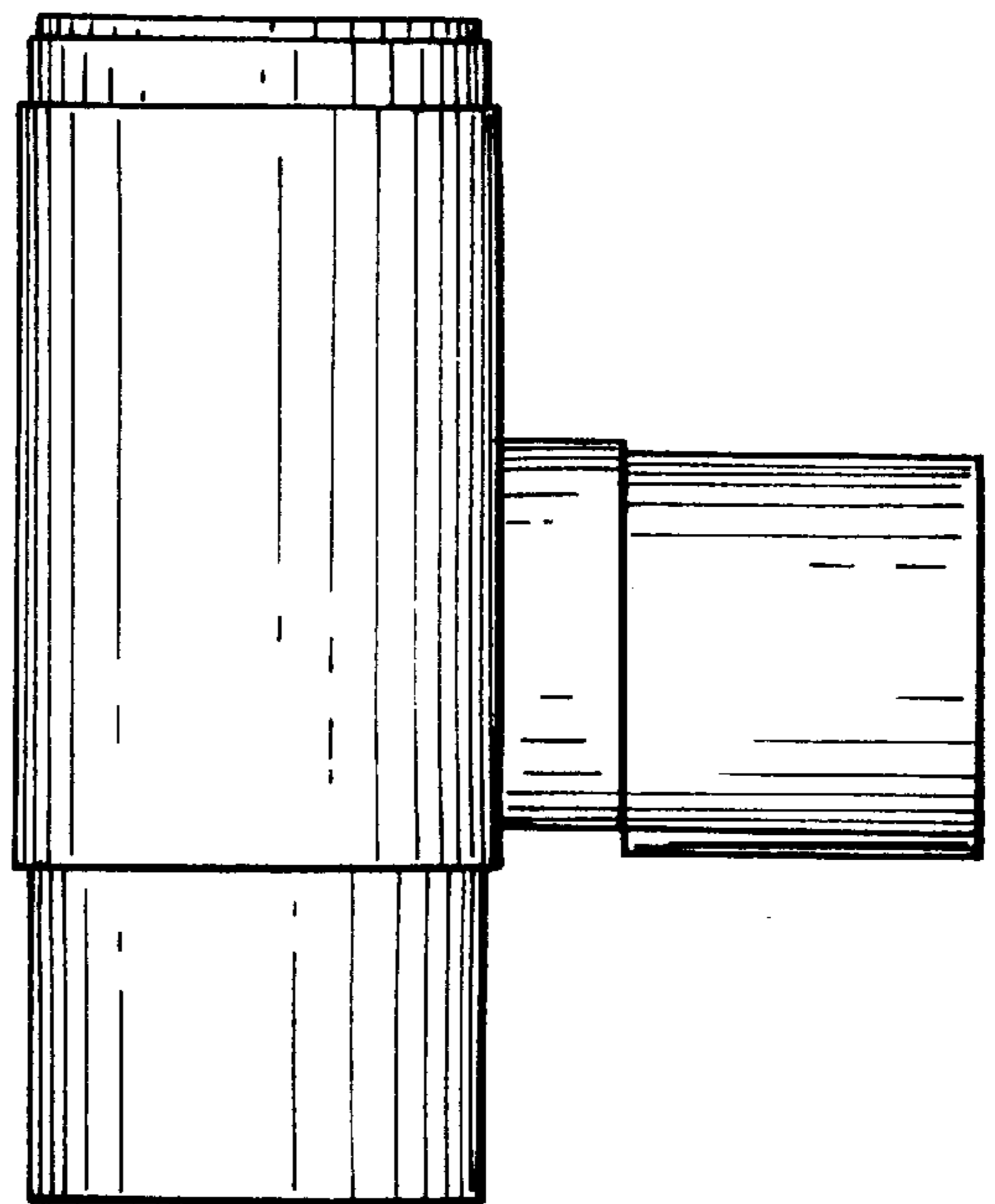


FIG. 3

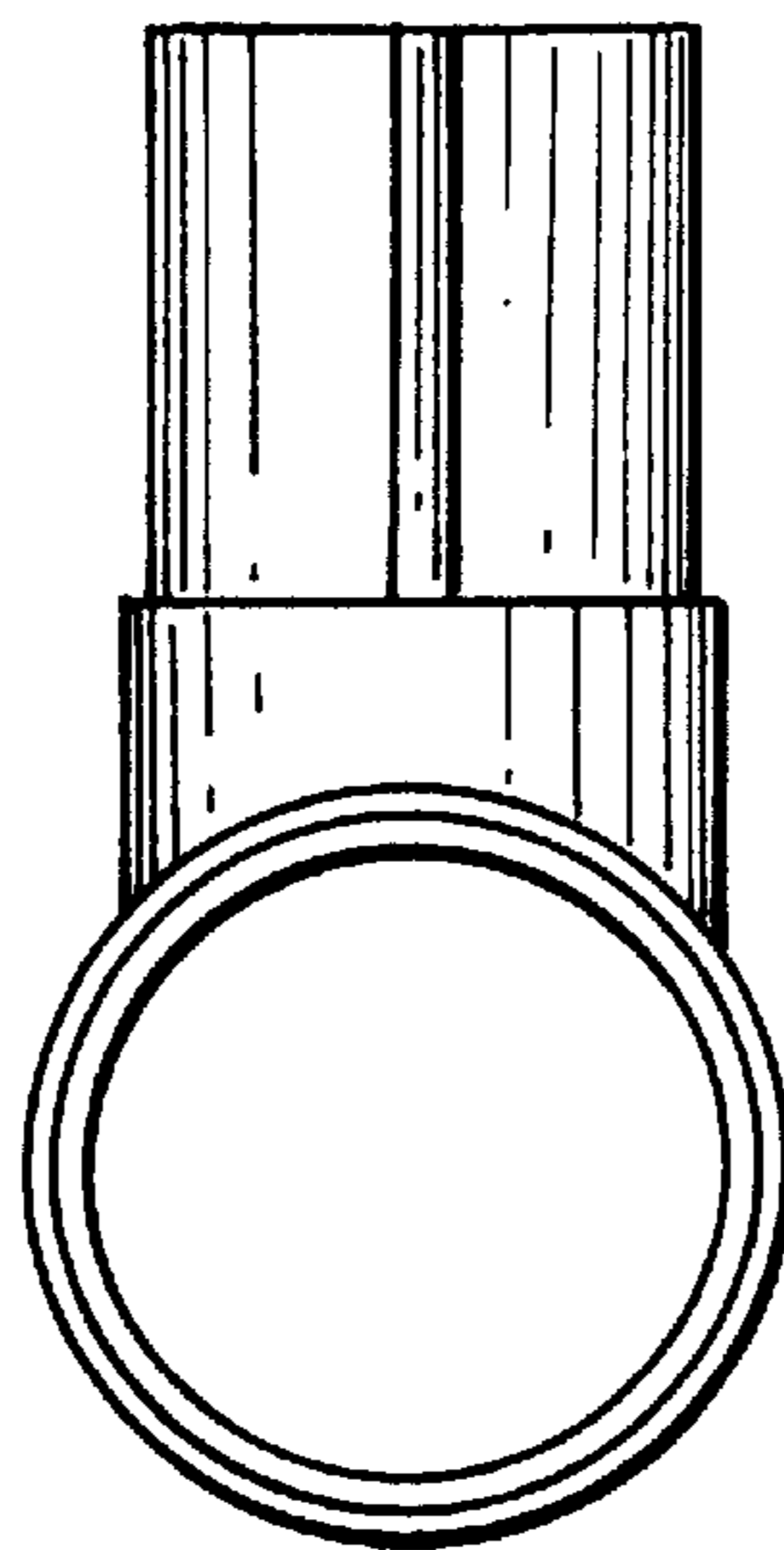


FIG. 5

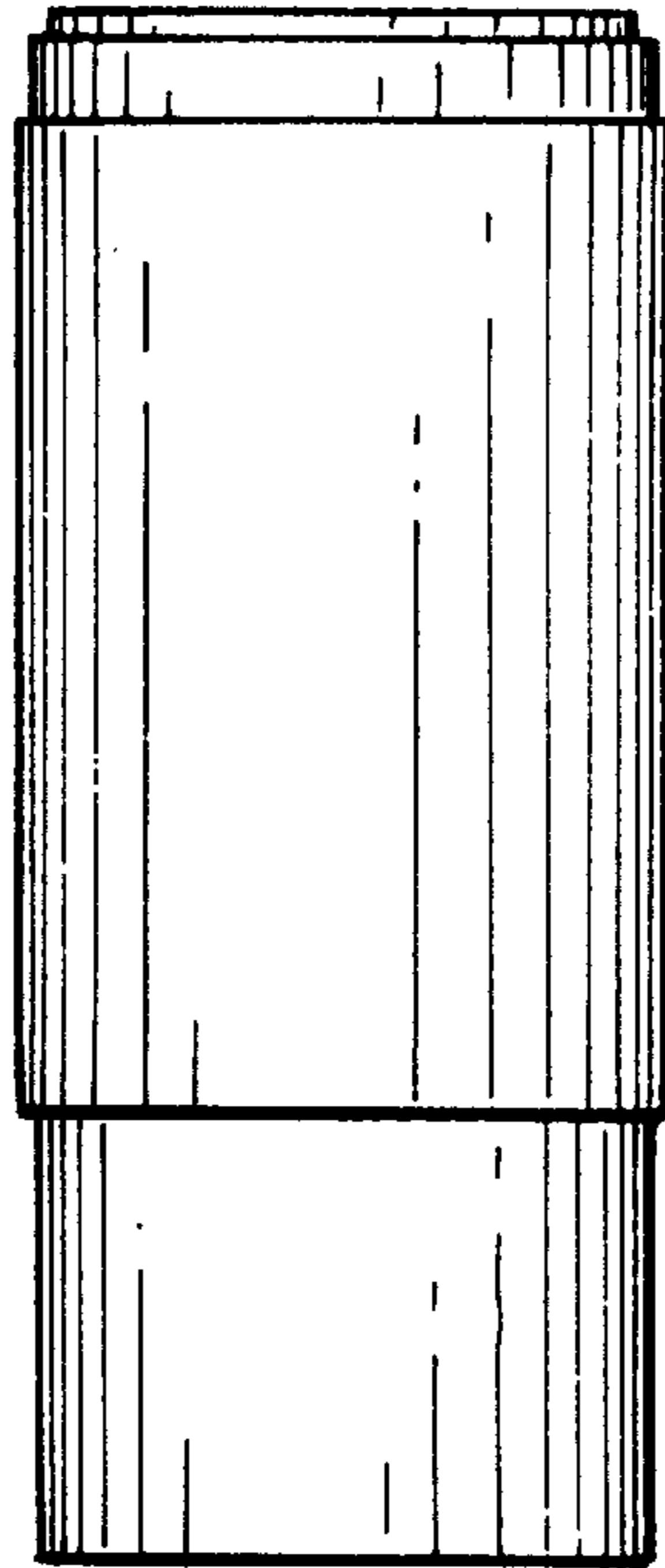


FIG. 6

