



US00D429328S

# United States Patent [19]

Hotaling et al.

[11] Patent Number: **Des. 429,328**

[45] Date of Patent: **\*\* Aug. 8, 2000**

[54] **FAN GRILL**

[75] Inventors: **Bryan Hotaling**, Arlington; **Jon Rossman**, Chelmsford; **William Chura**, Medford, all of Mass.

[73] Assignee: **The Holmes Group, Inc.**, Milford, Mass.

[\*\*] Term: **14 Years**

[21] Appl. No.: **29/115,929**

[22] Filed: **Dec. 22, 1999**

[51] **LOC (7) Cl.** ..... **23-04**

[52] **U.S. Cl.** ..... **D23/412; D23/382**

[58] **Field of Search** ..... D23/412, 382, D23/381, 411, 337, 370, 336, 332, 378, 324; 415/211.2, 213, 1; 416/247 R, 246; 392/365-369

## [56] References Cited

### U.S. PATENT DOCUMENTS

D. 386,579 11/1997 Jane et al. .... D23/412

D. 420,442 2/2000 Brewer ..... D23/412

*Primary Examiner*—Lisa Lichtenstein  
*Attorney, Agent, or Firm*—Hoffmann & Baron, LLP; Francis E. Marino

## [57] CLAIM

The ornamental design for a fan grill, as shown and described.

## DESCRIPTION

FIG. 1 is a side perspective view of a fan grill showing our new design;

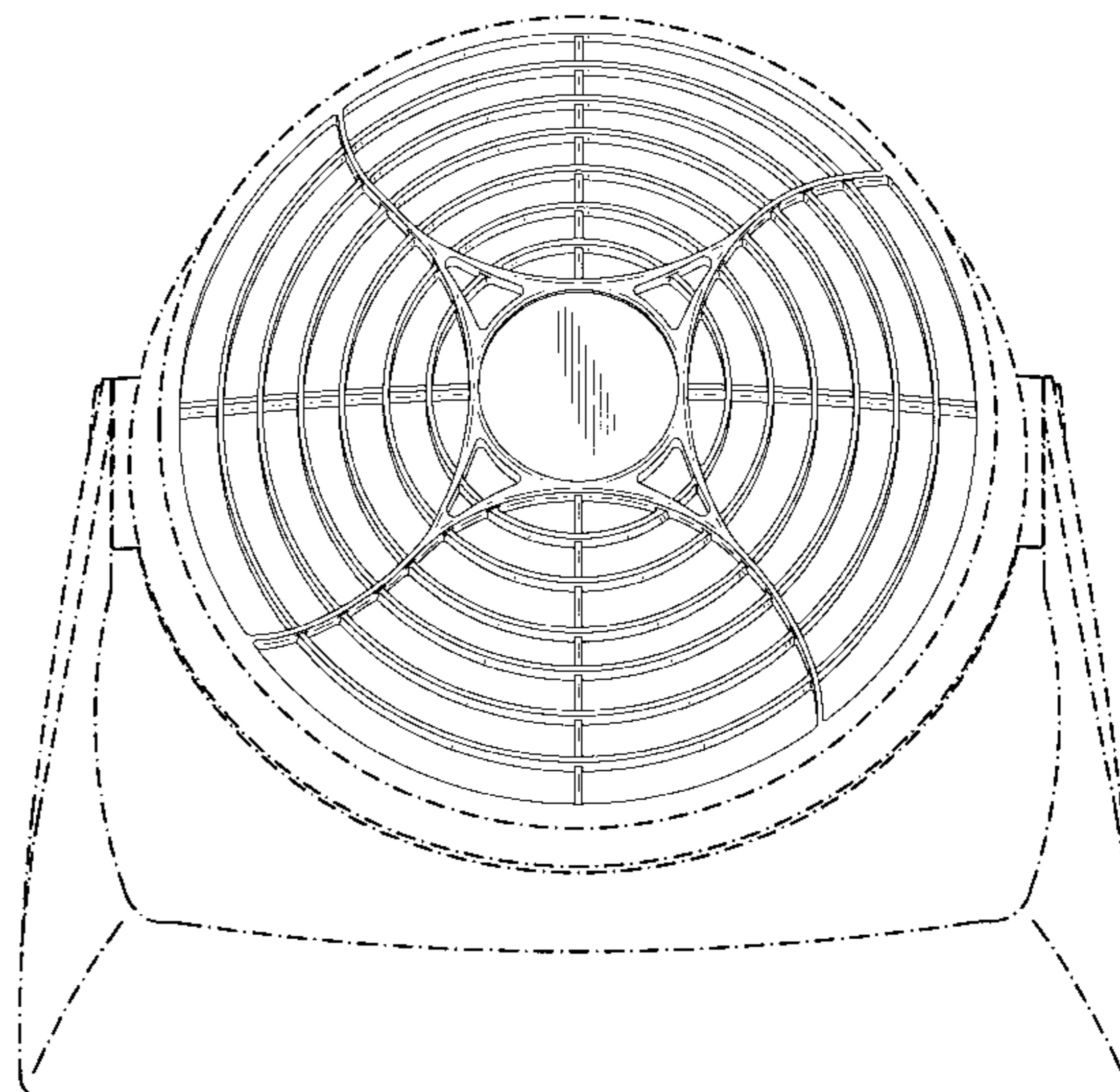
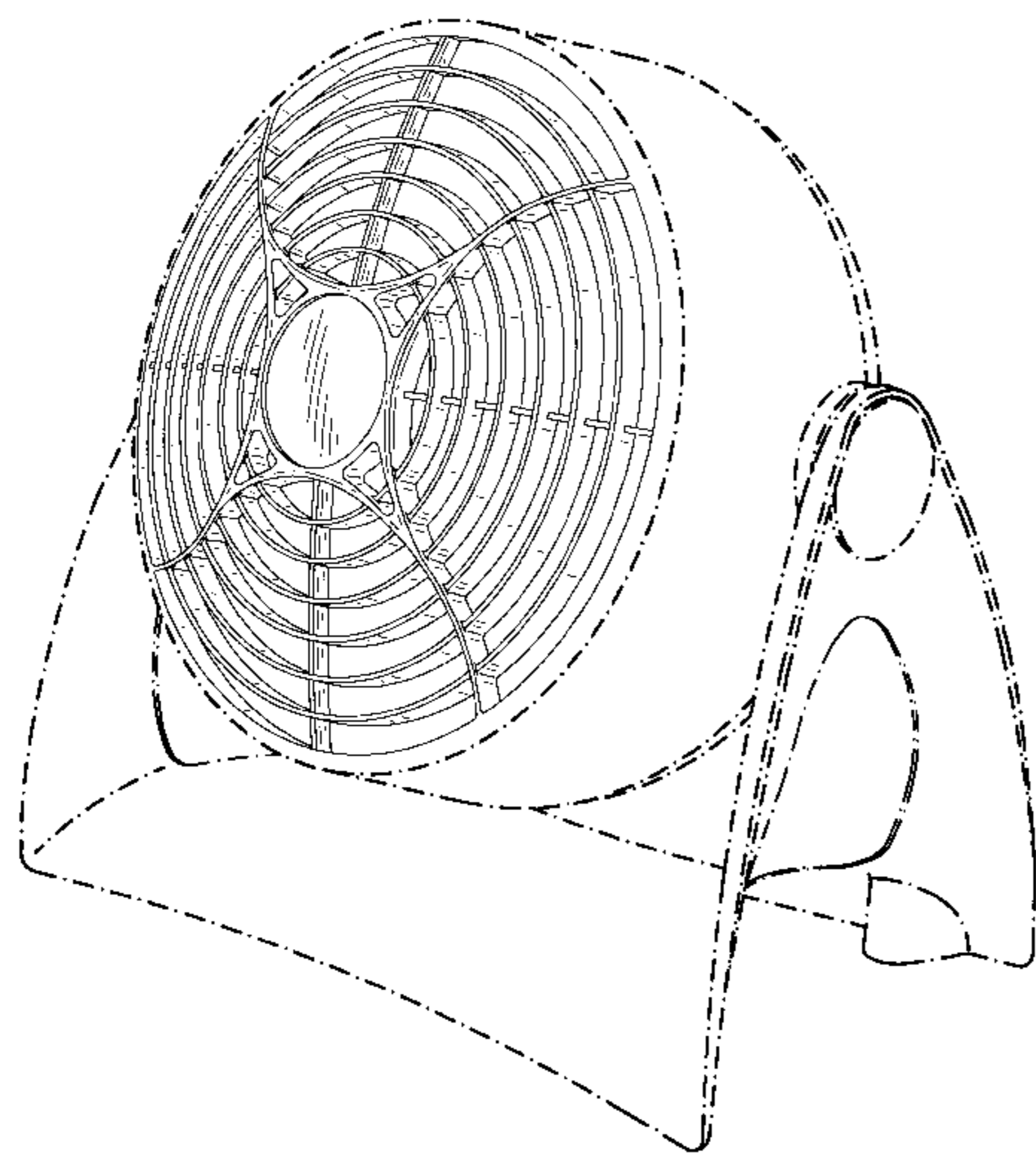
FIG. 2 is a front elevation view thereof; and,

FIG. 3 is a right side elevation view thereof, the left side elevation being a mirror image

The broken-line showing of environmental structure in FIGS. 1-3 is for illustrative purposes only and forms no part of the claimed design.

The surface(s) or portion(s) of the article not shown in the drawing or described in the specification form(s) no part of the claimed design.

**1 Claim, 3 Drawing Sheets**



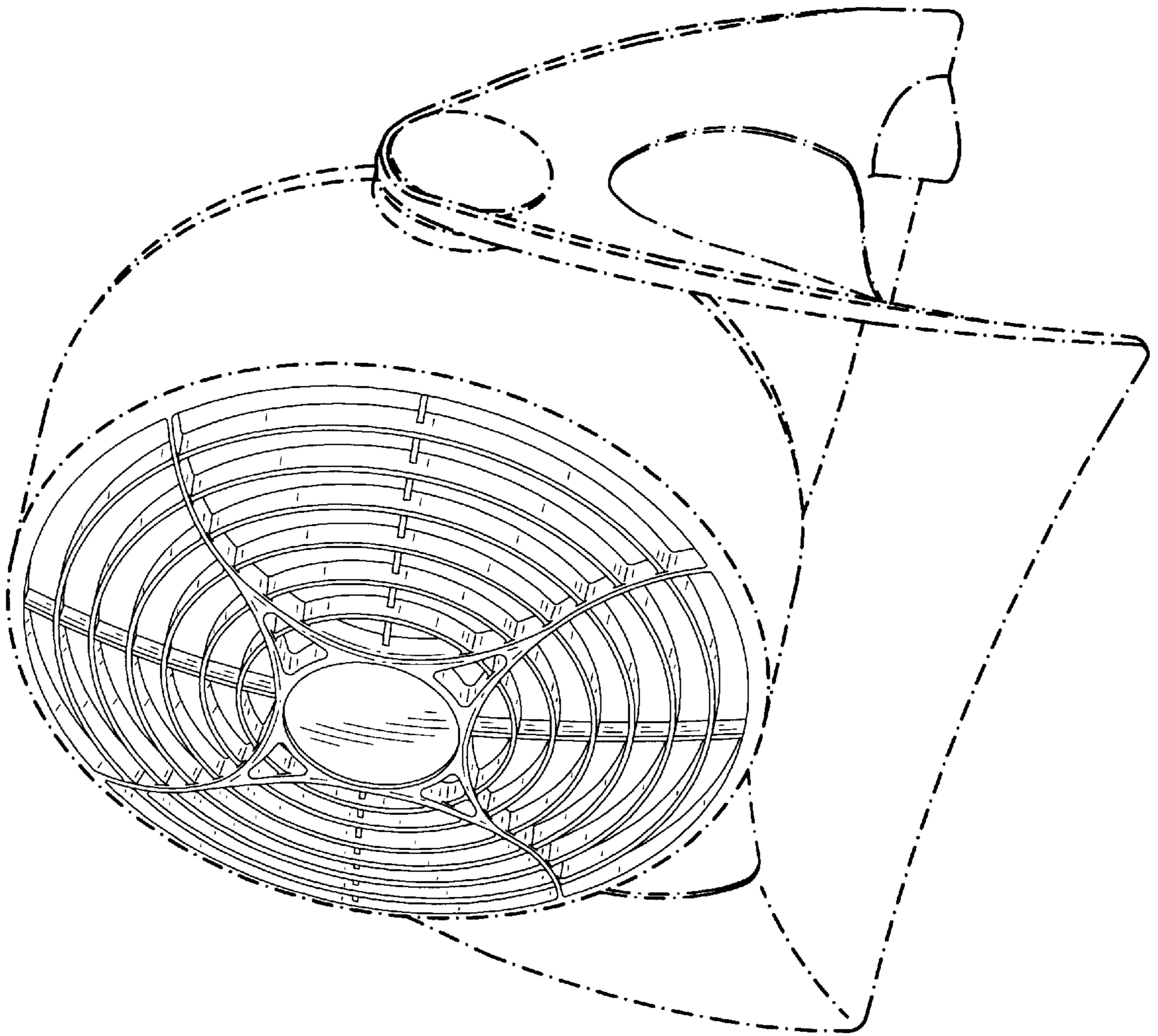


FIG-1

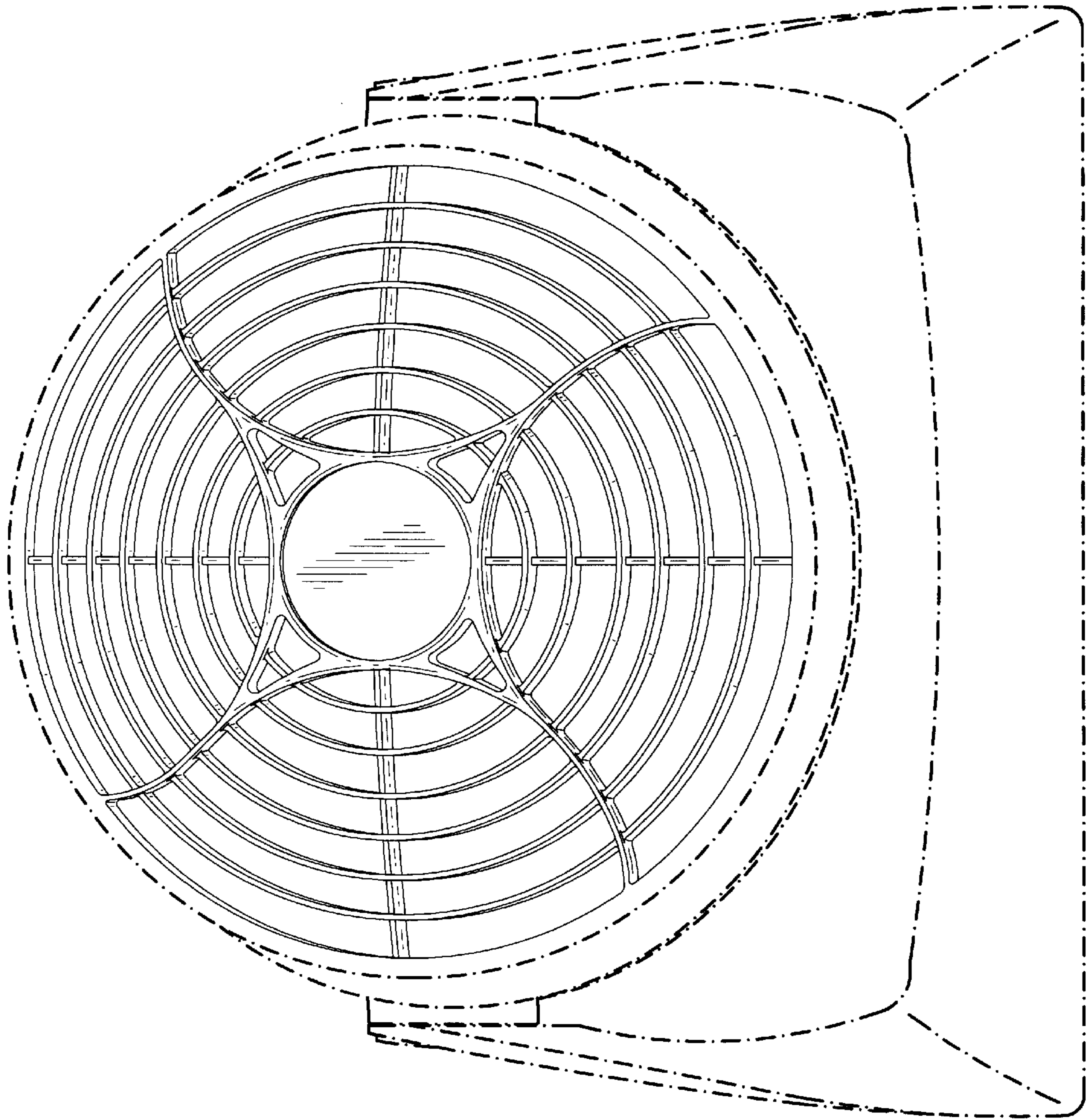


FIG-2

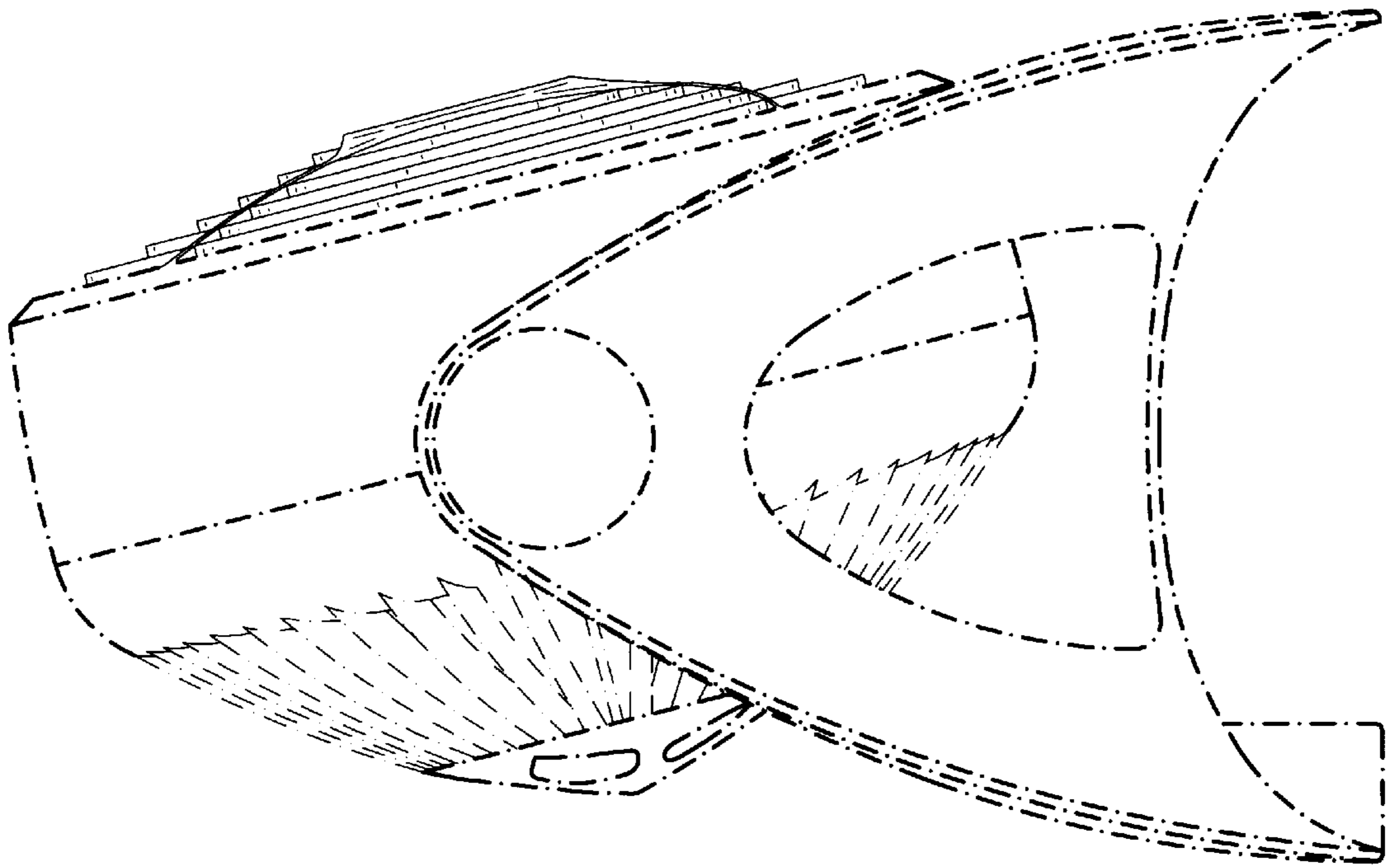


FIG-3