



US00D429327S

United States Patent [19] Brewer

[11] **Patent Number: Des. 429,327**

[45] **Date of Patent: ** Aug. 8, 2000**

[54] **FAN HOUSING**

[75] Inventor: **Doug Brewer**, Chicago, Ill.

[73] Assignee: **Holmes Products, Corp.**, Milford, Mass.

[**] Term: **14 Years**

[21] Appl. No.: **29/097,707**

[22] Filed: **Dec. 11, 1998**

[51] **LOC (7) Cl.** **23-04**

[52] **U.S. Cl.** **D23/411; D23/370; D23/382**

[58] **Field of Search** **D23/411, 370, D23/381, 382, 378; 416/247 R, 246, 208**

[56] **References Cited**

U.S. PATENT DOCUMENTS

D. 387,150 12/1997 Coonahan et al. D23/381
2,544,281 3/1951 Seil 416/247 R

Primary Examiner—Lisa Lichtenstein
Attorney, Agent, or Firm—Hoffmann & Baron, LLP;
Francis E. Marino

[57] **CLAIM**

The ornamental design for a fan housing, as shown and described.

DESCRIPTION

FIG. 1 is a top perspective view of a fan housing showing our new design;

FIG. 2 is a front elevation view thereof;

FIG. 3 is a top elevation view thereof;

FIG. 4 is a right side elevation view thereof;

FIG. 5 is a left side elevation view thereof;

FIG. 6 is a back elevation view thereof; and,

FIG. 7 is a bottom elevation view thereof.

The subject matter shown in broken lines forms no part of the claimed design.

1 Claim, 7 Drawing Sheets

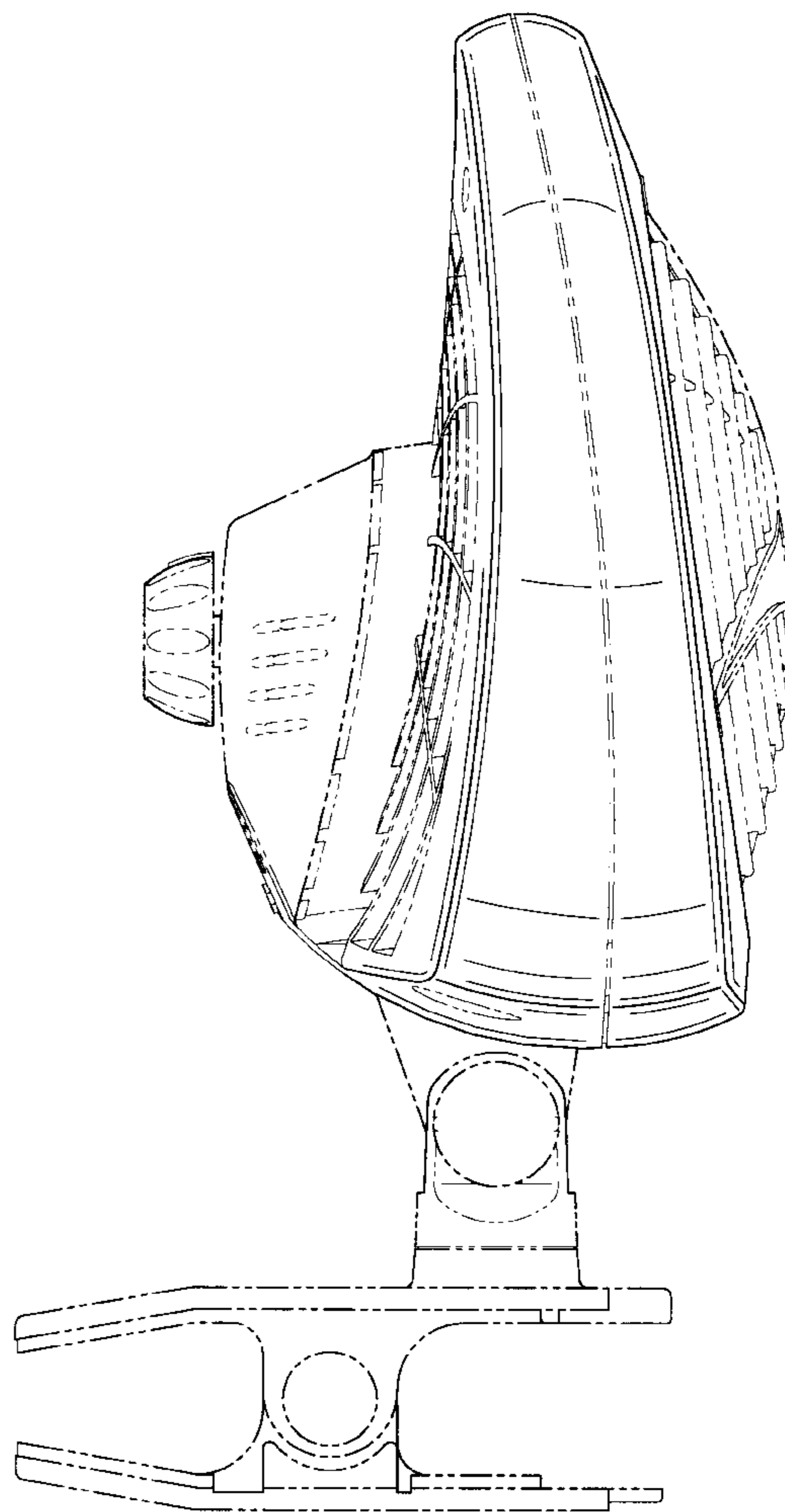
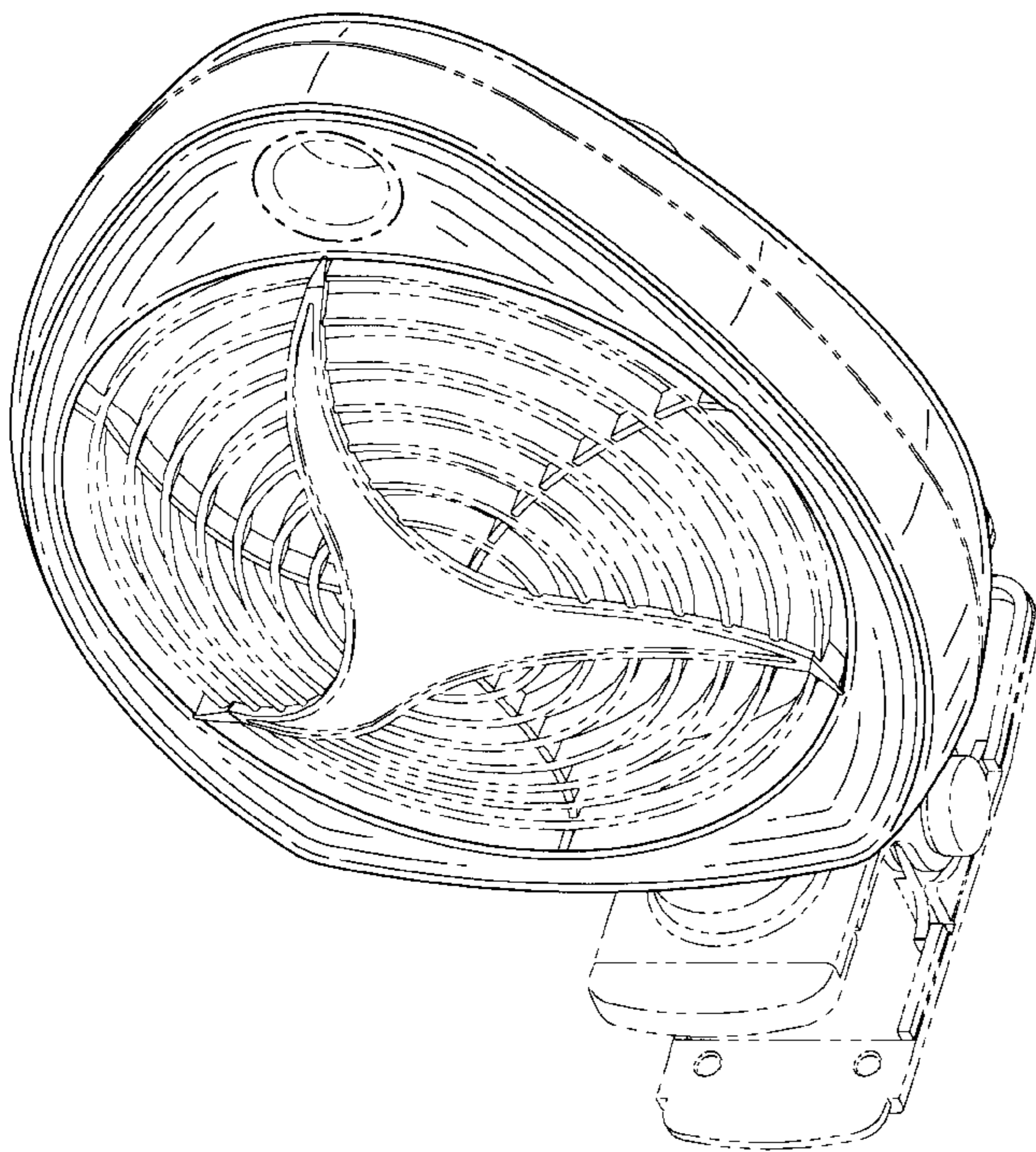


FIG-1

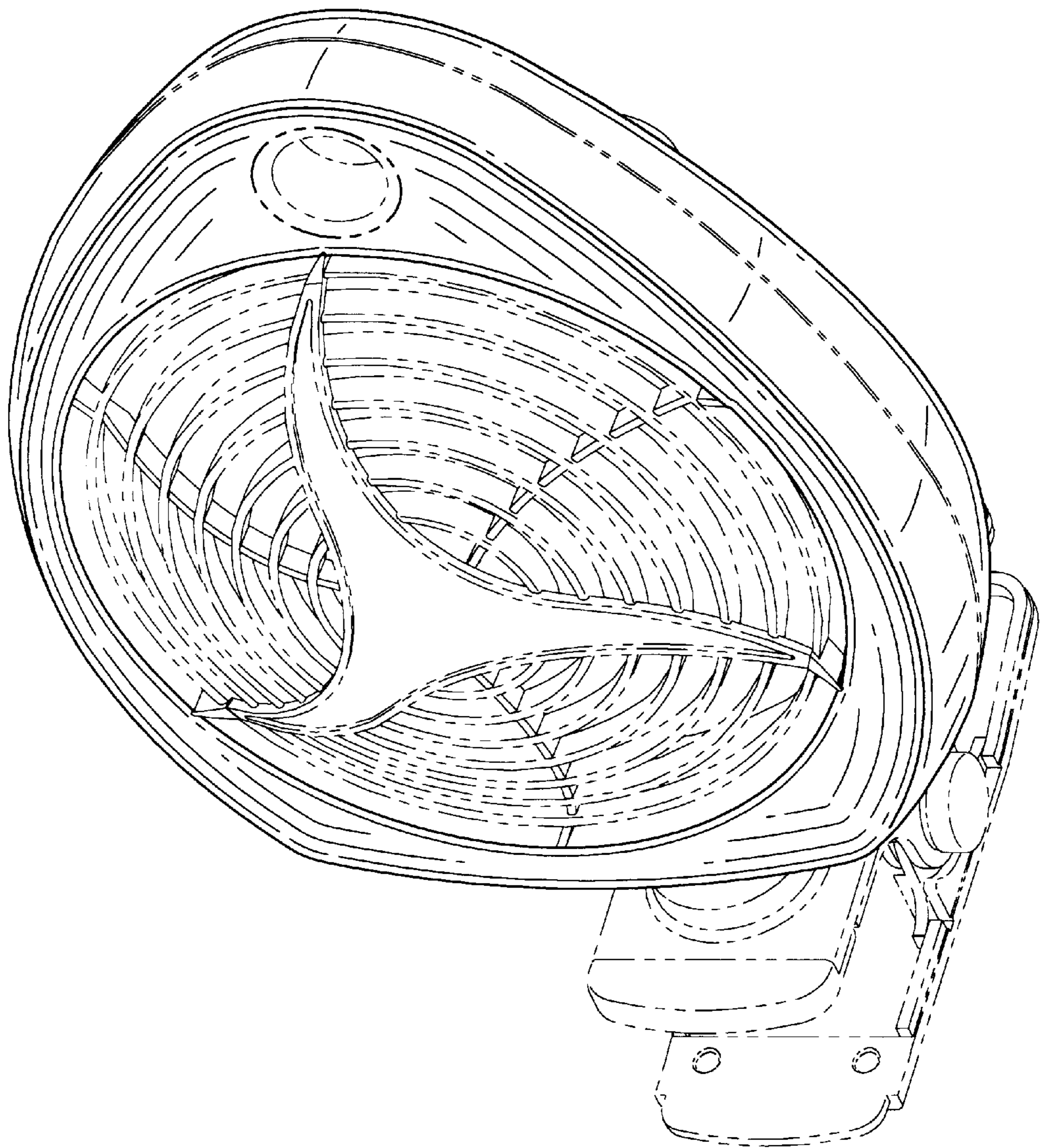


FIG-2

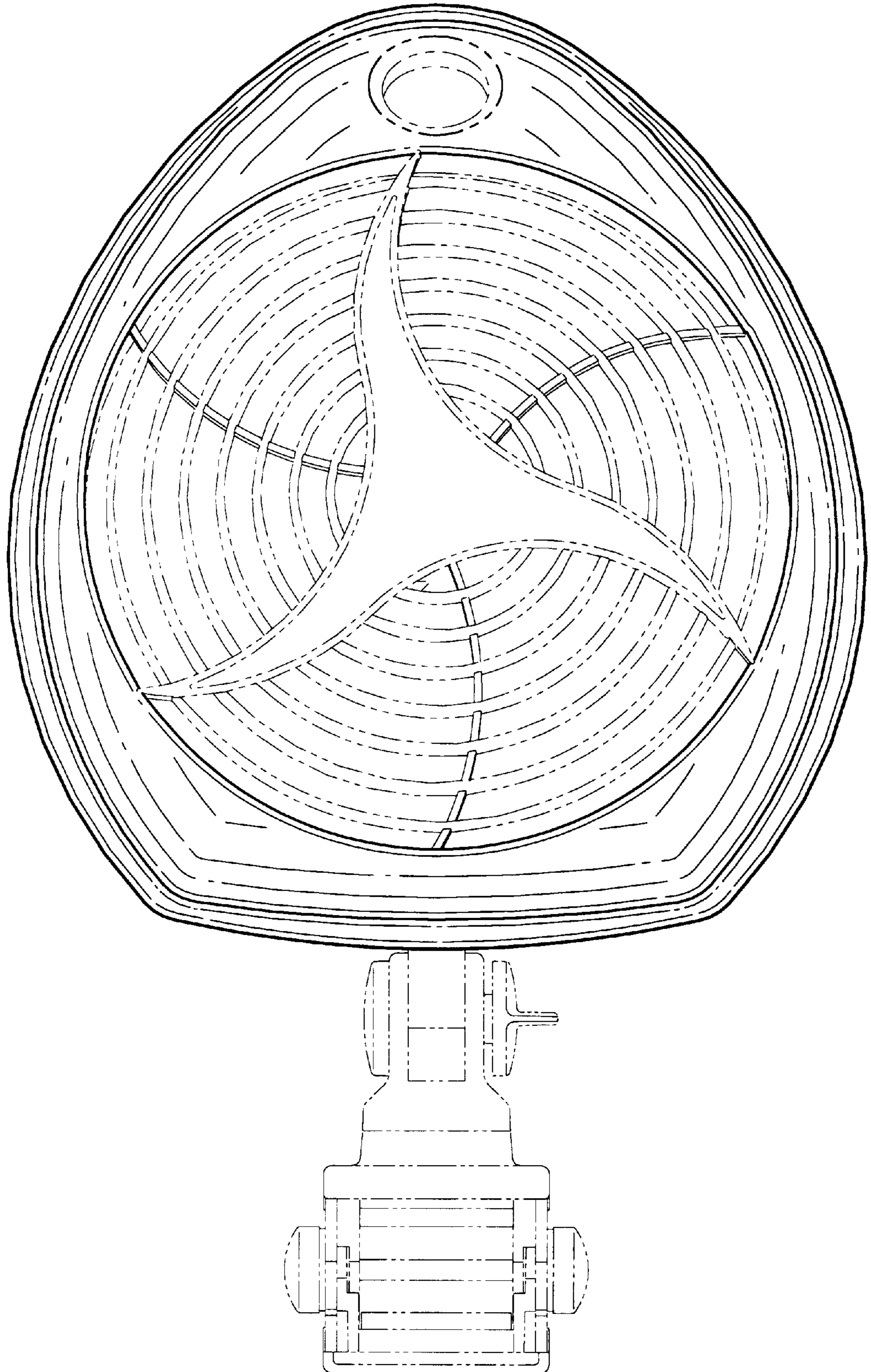


FIG-3

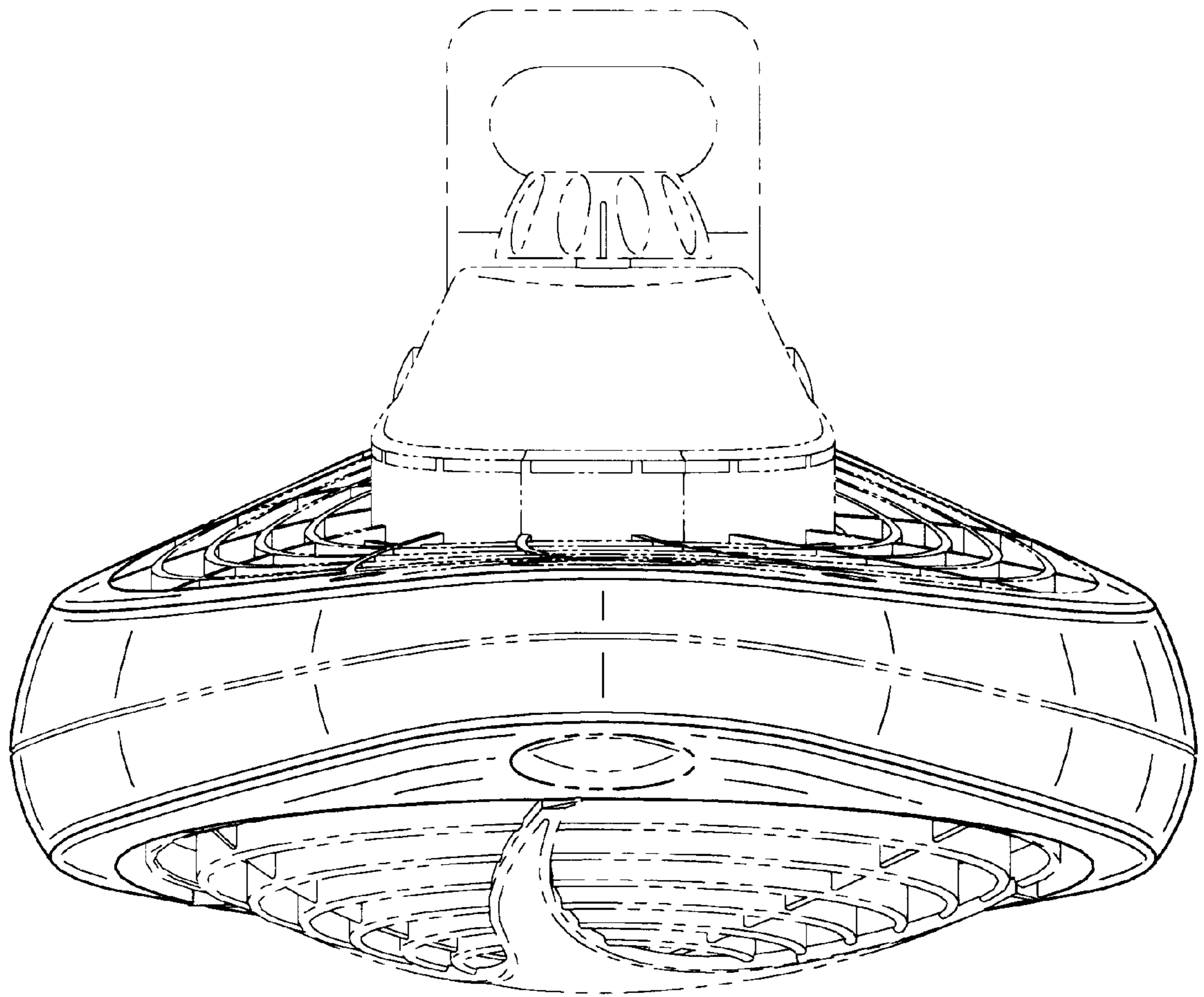


FIG-4

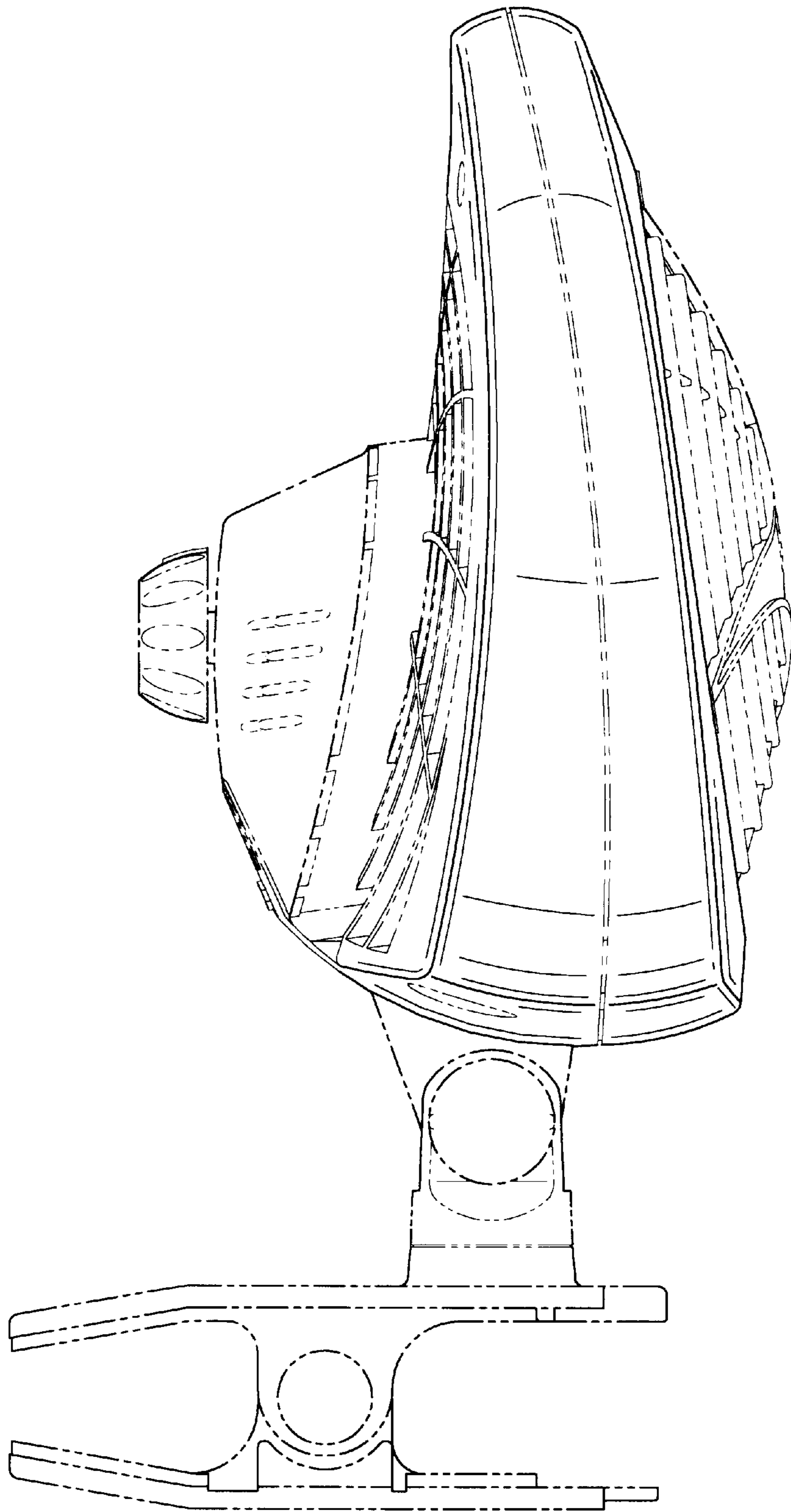


FIG-5

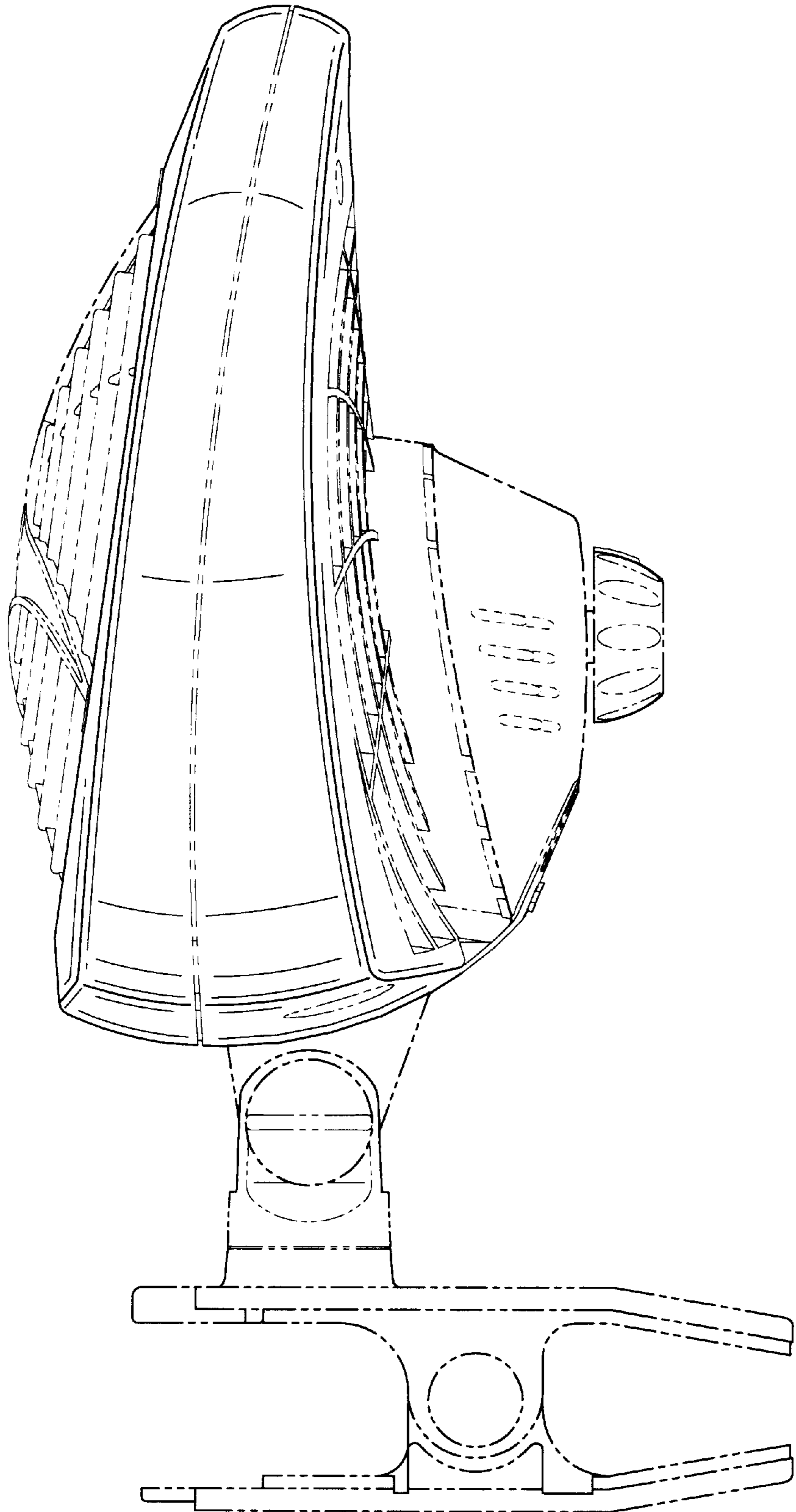


FIG-6

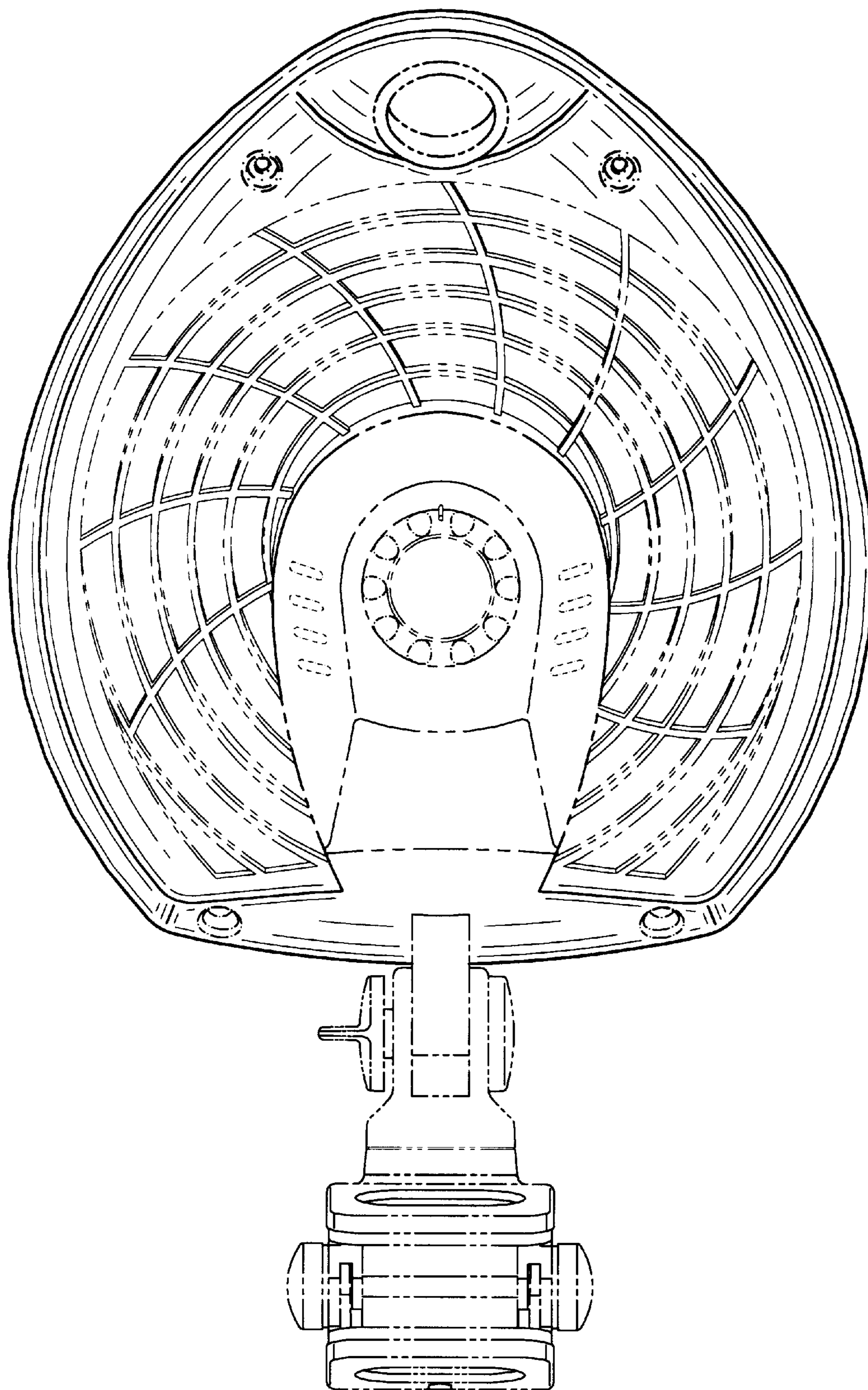


FIG-7

