



US00D429324S

United States Patent [19]

[11] Patent Number: Des. 429,324

Olson et al.

[45] Date of Patent: ** Aug. 8, 2000

[54] PATIO HEATER WITH A HEXAGONAL BASE AND HEXAGONAL COVERS

[75] Inventors: **Richard C. Olson**, Winthrop Harbor, Ill.; **Jacob Wiener**, Milwaukee, Wis.

[73] Assignee: **Winrich International Corporation**, Bristol, Wis.

[**] Term: **14 Years**

[21] Appl. No.: **29/106,992**

[22] Filed: **Jun. 24, 1999**

[51] LOC (7) Cl. **23-03**

[52] U.S. Cl. **D23/342**

[58] Field of Search D23/332, 335, D23/336, 338, 339, 340, 342; 126/59, 59.5, 92 B, 85 R, 83, 90 R, 90 A, 225, 25 R, 25 B; D26/51, 58, 59; D6/486-8, 399; 362/92, 217, 253

[56] References Cited

U.S. PATENT DOCUMENTS

- D. 42,178 2/1912 Roy .
- D. 244,450 5/1977 Taylor .
- D. 325,963 5/1992 Anderson D23/342
- D. 382,951 8/1997 Delnes et al. D23/332
- 3,251,356 5/1966 Prince et al. .
- 3,470,863 10/1969 Payne .
- 3,934,572 1/1976 Teague, Jr. 126/92 B

Primary Examiner—B. J. Bullock

Attorney, Agent, or Firm—Reinhart, Boerner, Van Deuren, Norris & Rieselbach, s.c.

[57] CLAIM

The ornamental design for a patio heater with a hexagonal base and hexagonal covers, as shown and described.

DESCRIPTION

FIG. 1 is a front view of a patio heater with a hexagonal base and hexagonal covers which is the subject of the present invention showing our new design;

FIG. 2 is rear view of the patio heater with a hexagonal base and hexagonal covers illustrated in FIG. 1;

FIG. 3 is a side view of the patio heater with a hexagonal base and hexagonal covers illustrated in FIG. 1 and FIG. 2; FIG. 4 is an opposite side view of the patio heater with a hexagonal base and hexagonal covers illustrated in FIG. 1, FIG. 2 and FIG. 3;

FIG. 5 is a plan top view of the patio heater with a hexagonal base and hexagonal covers illustrated in FIG. 1, FIG. 2, FIG. 3 and FIG. 4;

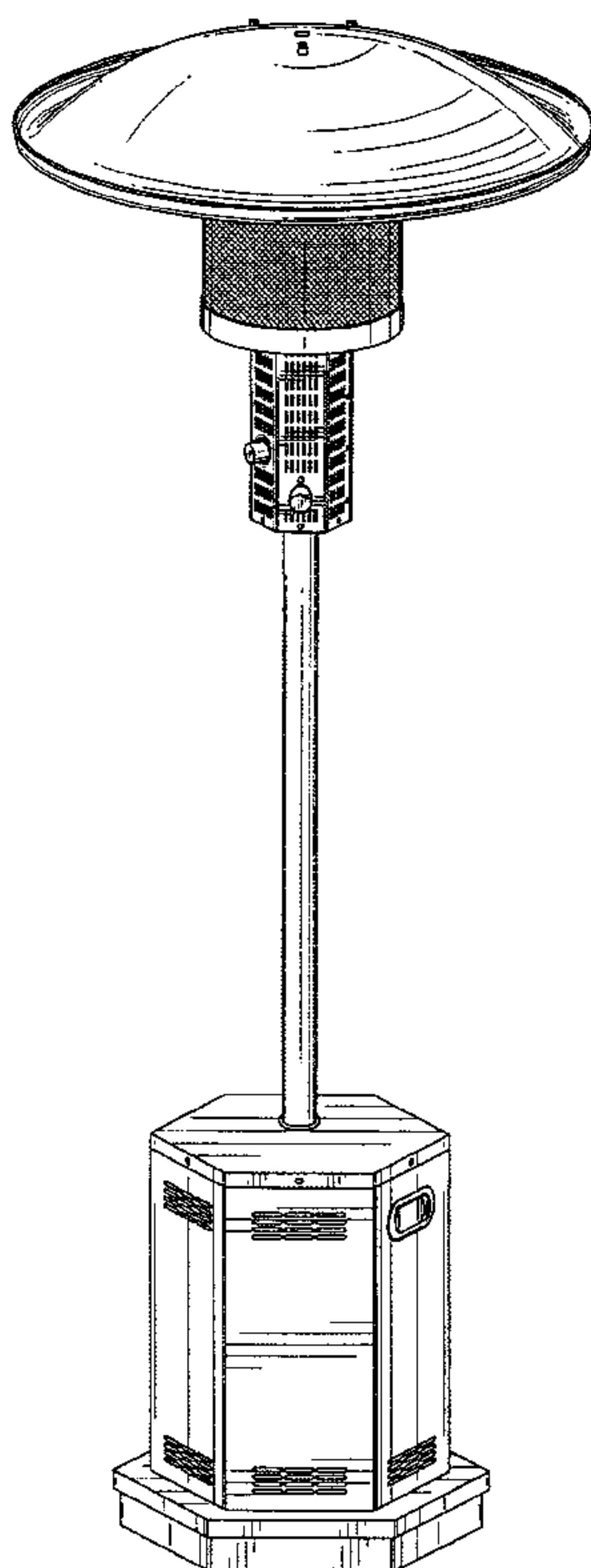
FIG. 6 is a plan bottom view of the patio heater with a hexagonal base and hexagonal covers illustrated in FIG. 1, FIG. 2, FIG. 3, FIG. 4 and FIG. 5;

FIG. 7 is an isometric front view of the patio heater with a hexagonal base and hexagonal covers illustrated in FIG. 1, FIG. 2, FIG. 3, FIG. 4, FIG. 5 and FIG. 6 from a superior angle; and,

FIG. 8 is an isometric front view of the patio heater with a hexagonal base and hexagonal covers illustrated in FIG. 1, FIG. 2, FIG. 3, FIG. 4, FIG. 5 and FIG. 6 from an inferior angle.

The portions of the surface beneath the domed element which are not shown in figures 6 and 8 follow the contours of the upper surface.

1 Claim, 7 Drawing Sheets



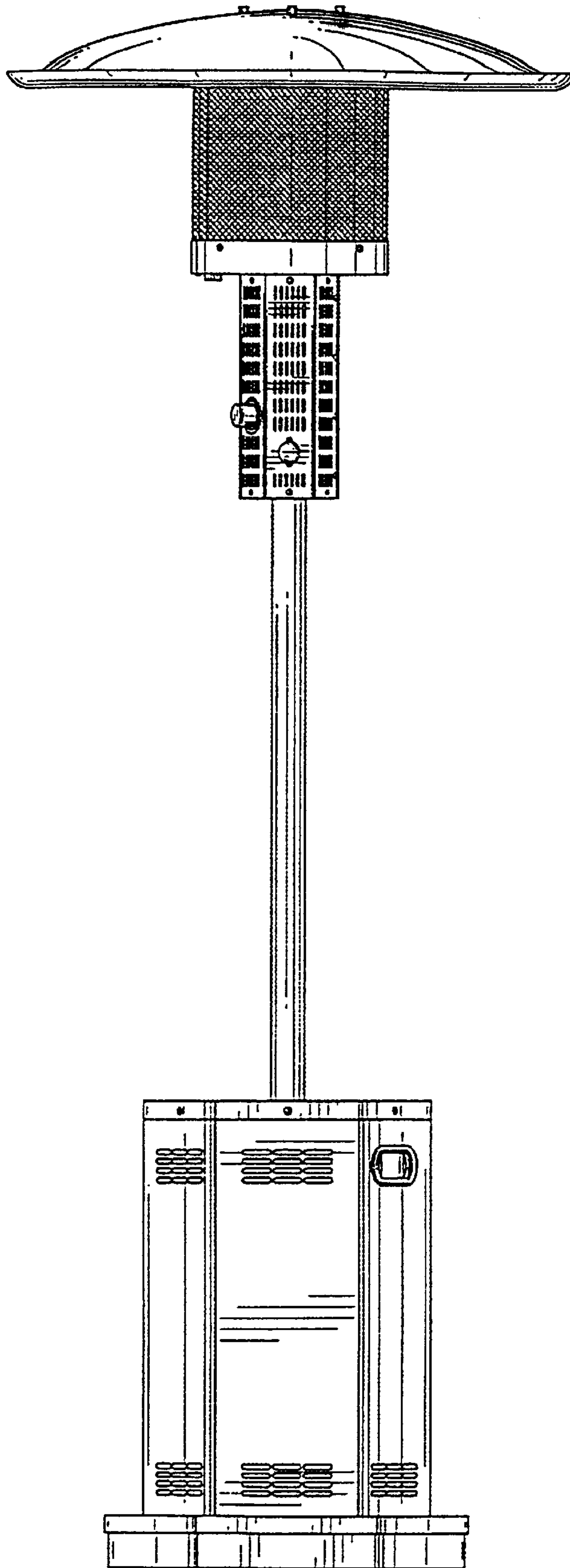


FIG. 1

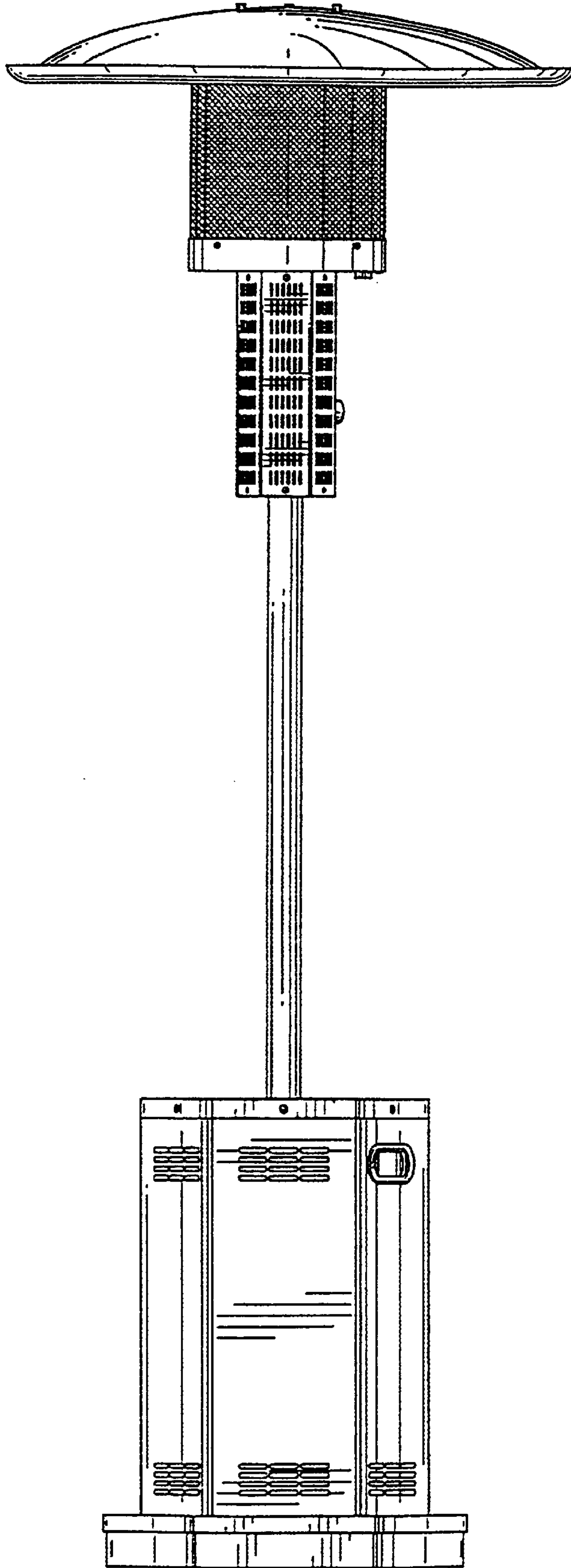


FIG. 2

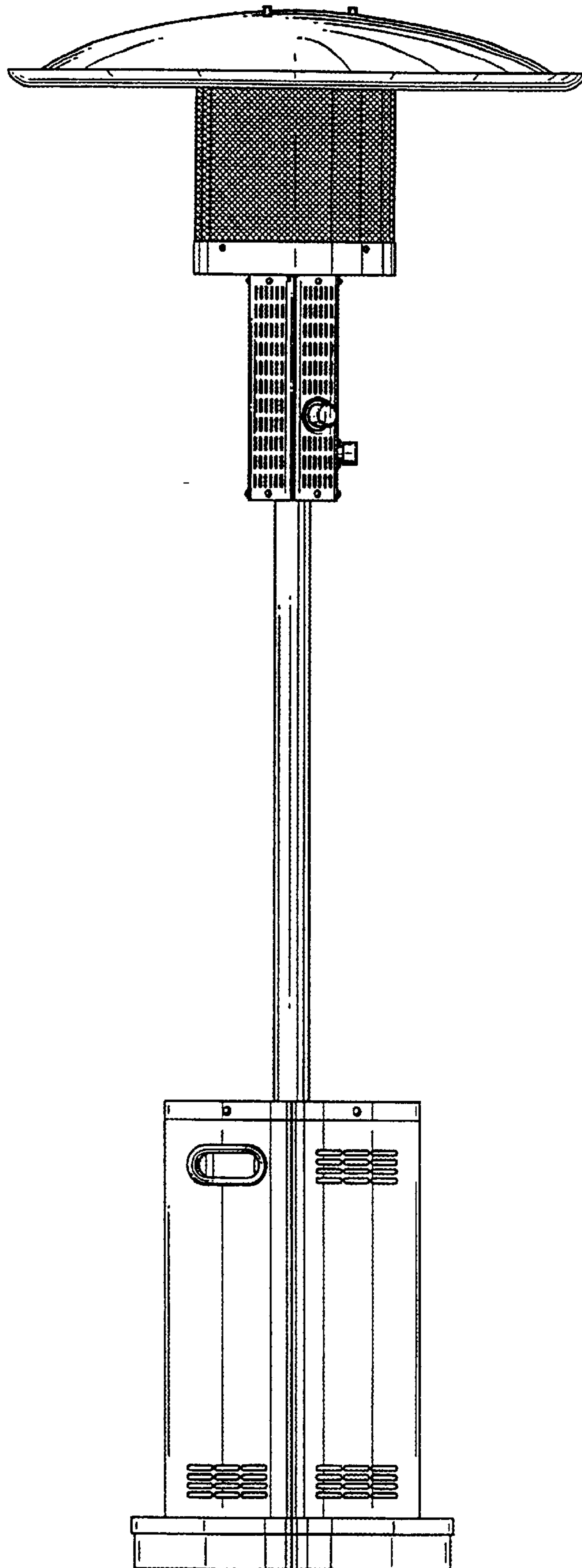


FIG. 3

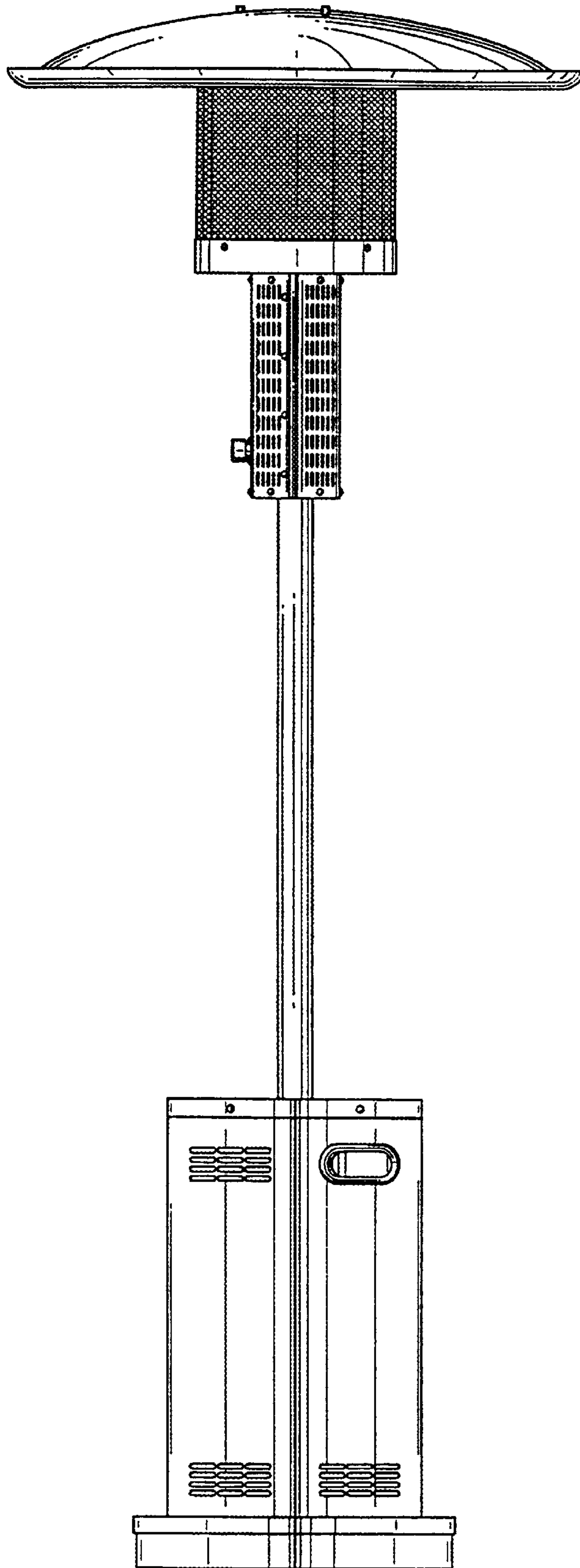


FIG. 4

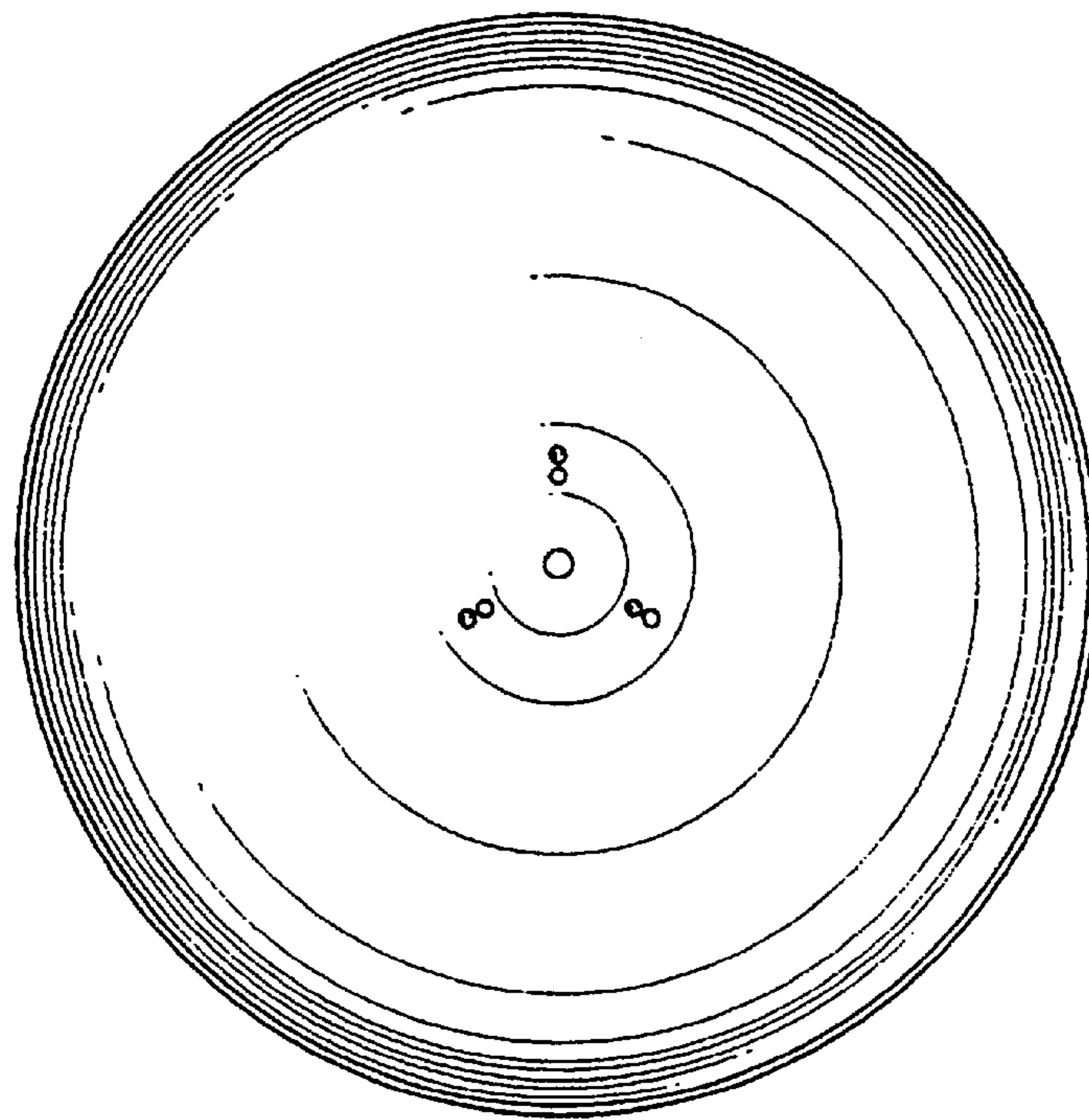


FIG. 5

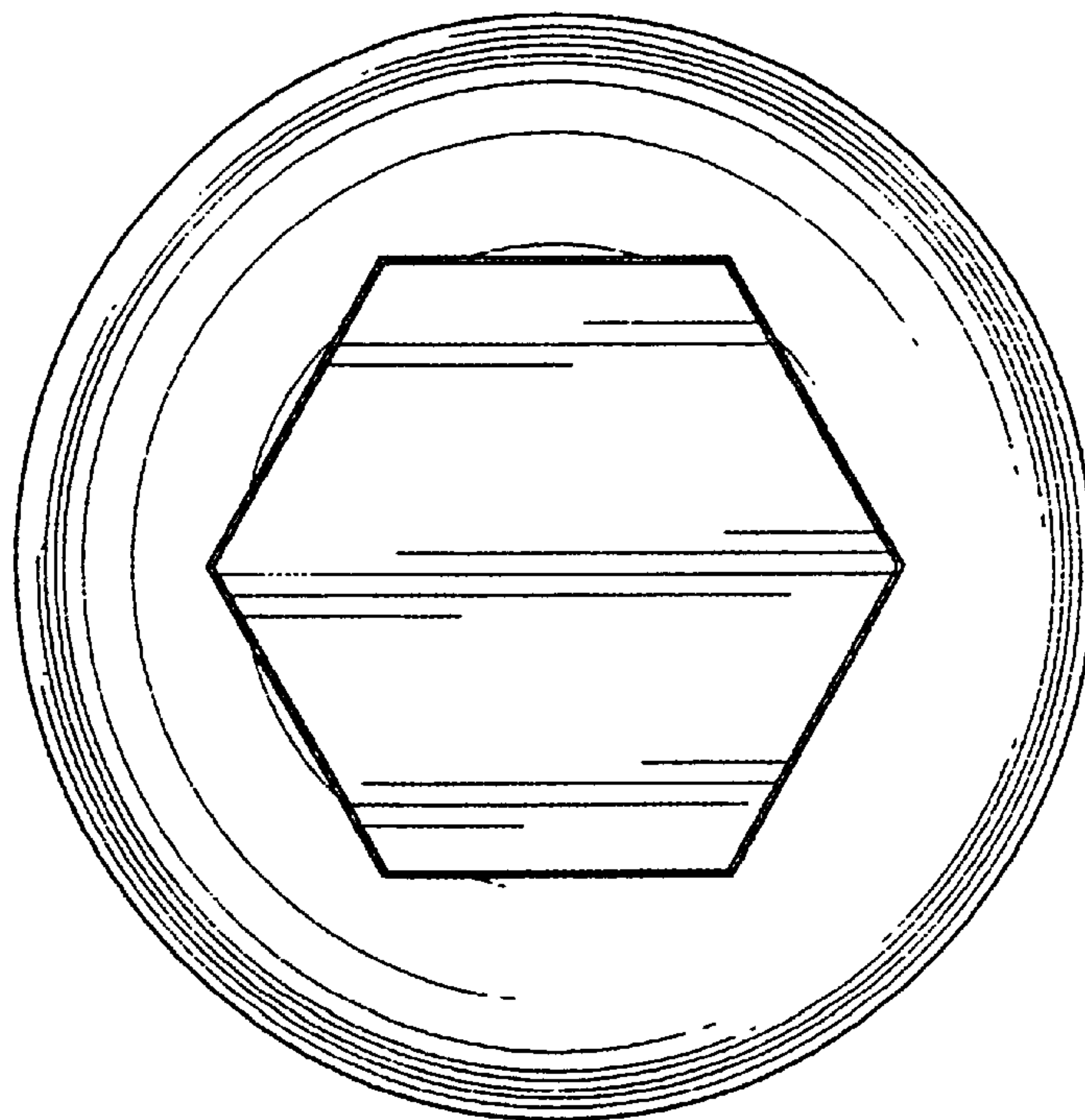


FIG. 6

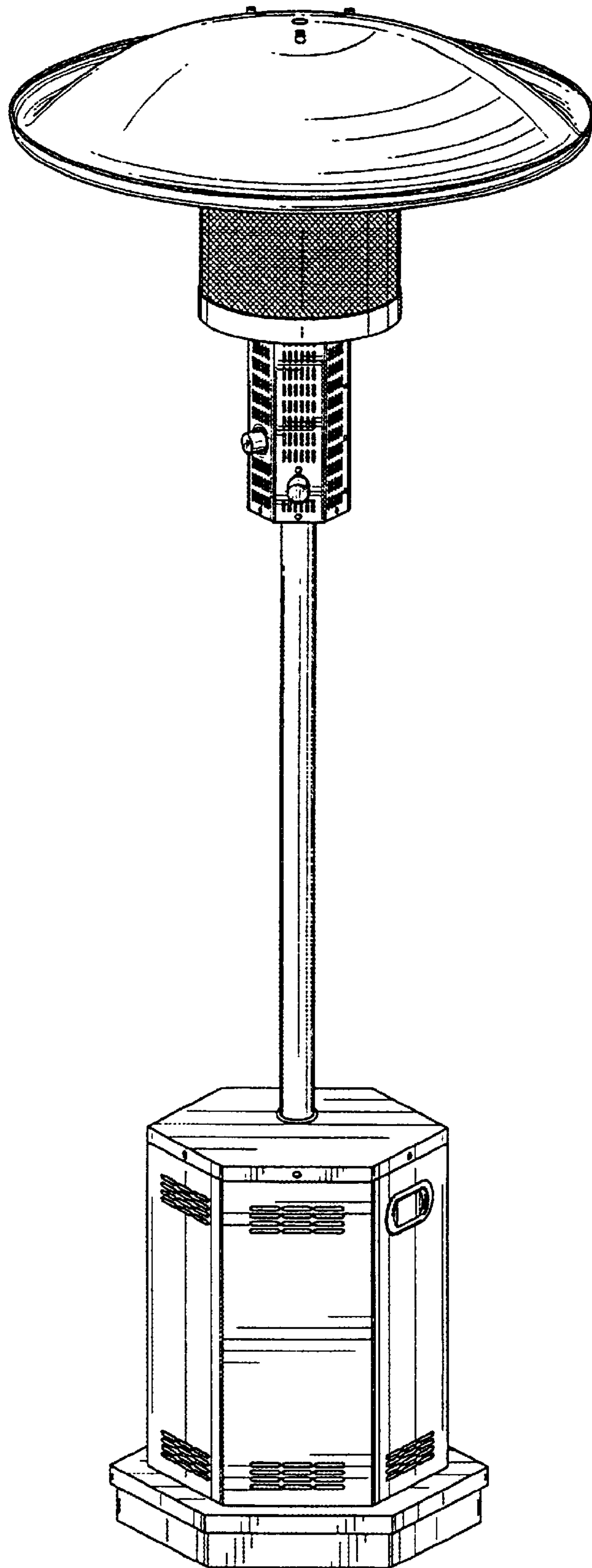


FIG. 7

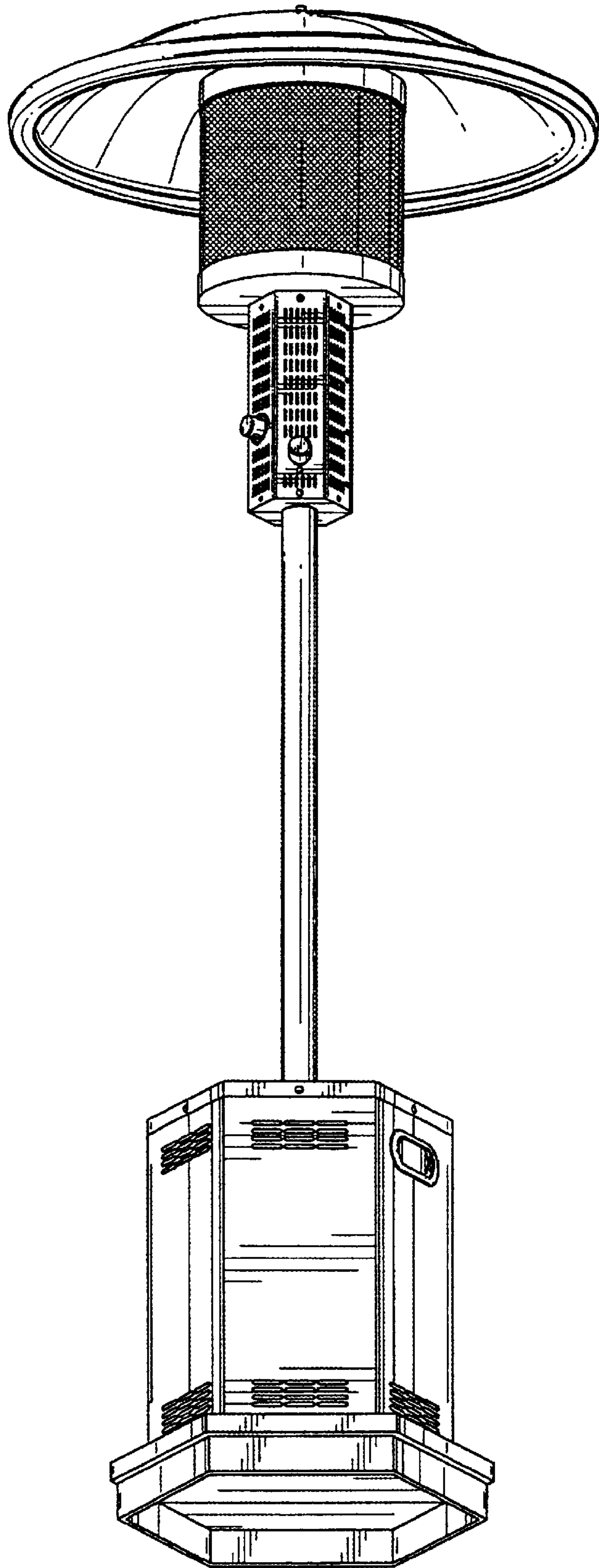


FIG. 8