



US00D429323S

United States Patent [19]

[11] **Patent Number: Des. 429,323**

Rossman et al.

[45] **Date of Patent: ** Aug. 8, 2000**

[54] **HEATER HOUSING**

[75] Inventors: **Jon Rossman**, Chelmsford; **Bryan Hotaling**, Arlington, both of Mass.

[73] Assignee: **Holmes Products Corp.**, Milford, Mass.

[**] Term: **14 Years**

[21] Appl. No.: **29/108,630**

[22] Filed: **Jul. 30, 1999**

[51] **LOC (7) Cl.** **23-03**

[52] **U.S. Cl.** **D23/341; D23/332; D23/335**

[58] **Field of Search** **D23/317, 332, D23/335, 337-340, 341; 392/365-9, 373-6, 487**

[56] **References Cited**

U.S. PATENT DOCUMENTS

D. 310,871	9/1990	Liu	D23/335
D. 315,403	3/1991	Ooki et al.	D23/335
D. 353,662	12/1994	Patton et al.	D23/335
D. 395,490	6/1998	Jané et al.	D23/335
D. 410,074	5/1999	Lee	D23/335
D. 420,113	2/2000	Heinz et al.	.	
5,278,936	1/1994	Shao	.	
5,761,377	6/1998	Wolfe et al.	.	

OTHER PUBLICATIONS

Holmes manufacturer's literature concerning 1996-1997 Heater Line; Place of Publication: United States; Date of Publication: Unknown.

Holmes manufacturer's literature concerning 1997-1998 Heater Line; Place of Publication: United States; Date of Publication: Unknown.

Primary Examiner—B. J. Bullock
Attorney, Agent, or Firm—Hoffmann & Baron, LLP; Francis E. Marino

[57] **CLAIM**

The ornamental design for a heater housing, as shown and described.

DESCRIPTION

FIG. 1 is a top perspective of heater housing showing our new design;

FIG. 2 is a front elevation view thereof;

FIG. 3 is a top plan view thereof; and,

FIG. 4 is a side elevation view thereof, the opposite side being a mirror image thereof.

The bottom and portions of the rear which are not shown in the drawings form no part of the claimed design.

The broken lines immediately adjacent the shaded surfaces represent the bounds of the claim while all other broken lines represent environment. None of the broken lines form any part of the claimed design.

1 Claim, 4 Drawing Sheets

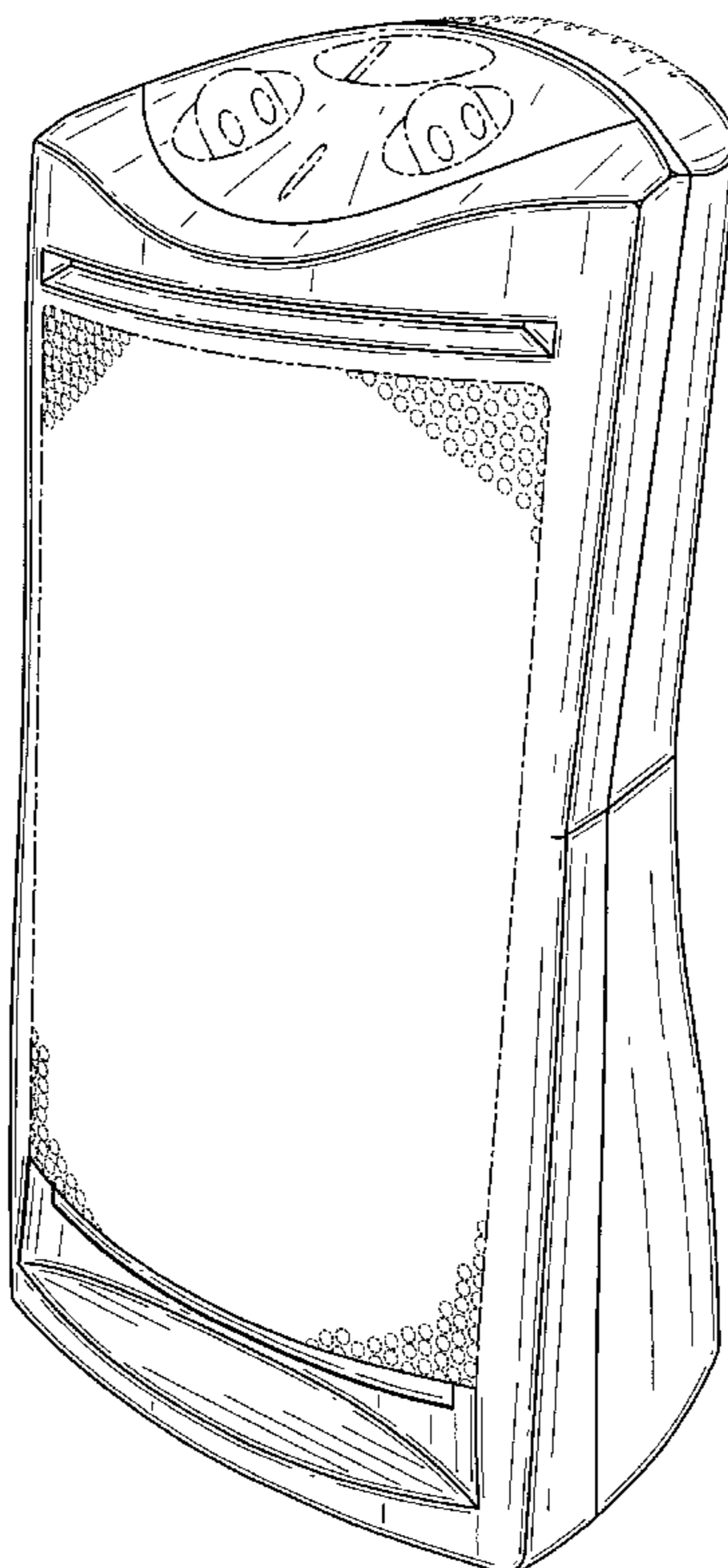


FIG. 1

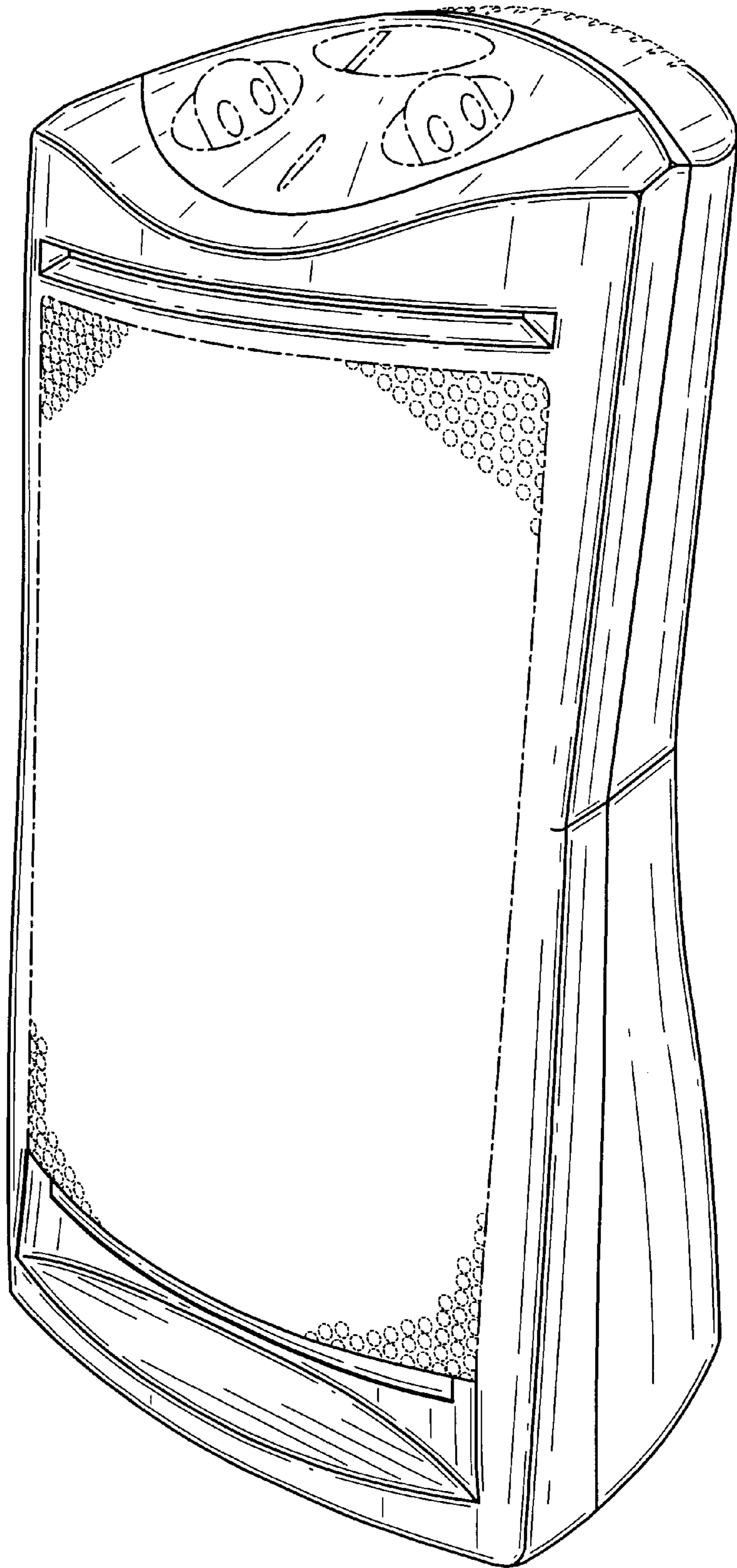


FIG. 2

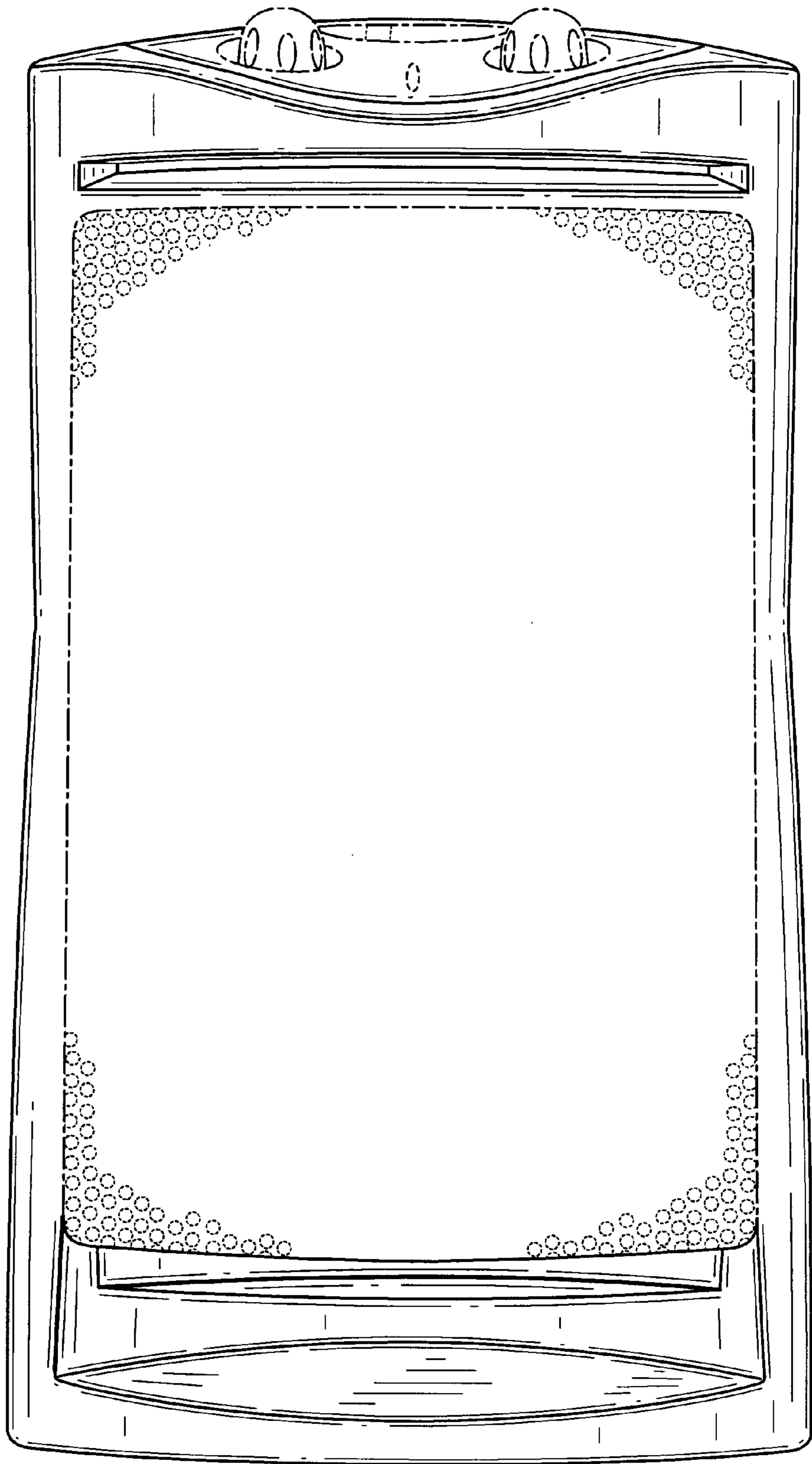


FIG. 3

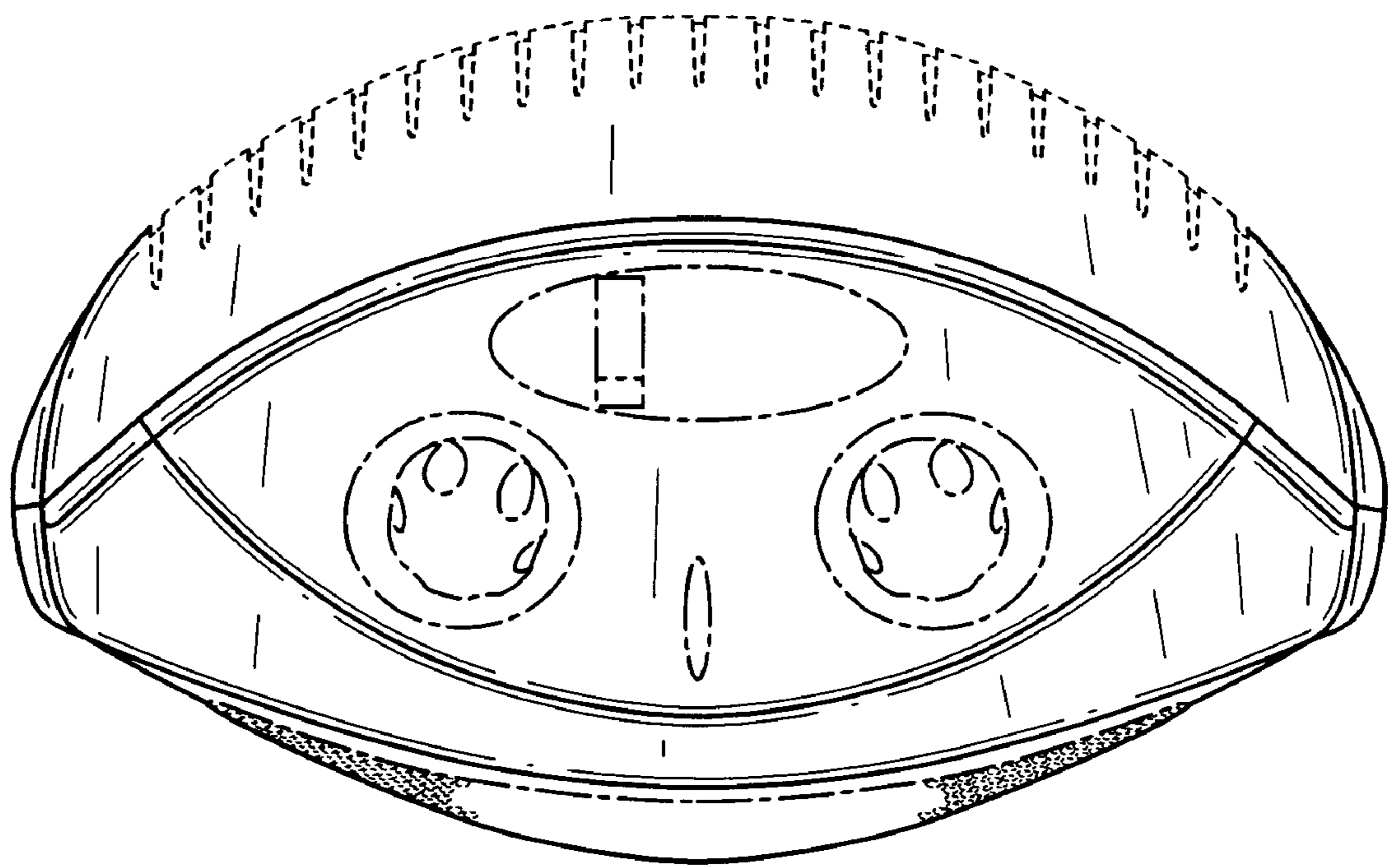


FIG. 4

