



US00D429321S

United States Patent [19] Gouget

[11] Patent Number: **Des. 429,321**

[45] Date of Patent: **** Aug. 8, 2000**

[54] **URINAL**

[76] Inventor: **Jacques Maurice Gouget, 3, Rue d'Auteuil, F-75016 Paris, France**

[**] Term: **14 Years**

[21] Appl. No.: **29/111,883**

[22] Filed: **Oct. 7, 1999**

[51] **LOC (7) Cl. 23-02**

[52] **U.S. Cl. D23/302; D24/122**

[58] **Field of Search D23/302, 303, D23/309; D24/117, 122; 4/144.1-144.4; 604/329, 347, 350**

3,163,869 1/1965 Johnson et al. 4/144.1
 3,716,871 2/1973 Borse 4/144.2
 4,050,103 9/1977 Nakao et al. 4/144.3
 4,270,231 6/1981 Zint 4/144.1

Primary Examiner—Eric Watterson
Attorney, Agent, or Firm—Michael D. Bednarek; Crowell & Moring LLP

[57] **CLAIM**

The ornamental design for a urinal, as shown and described.

DESCRIPTION

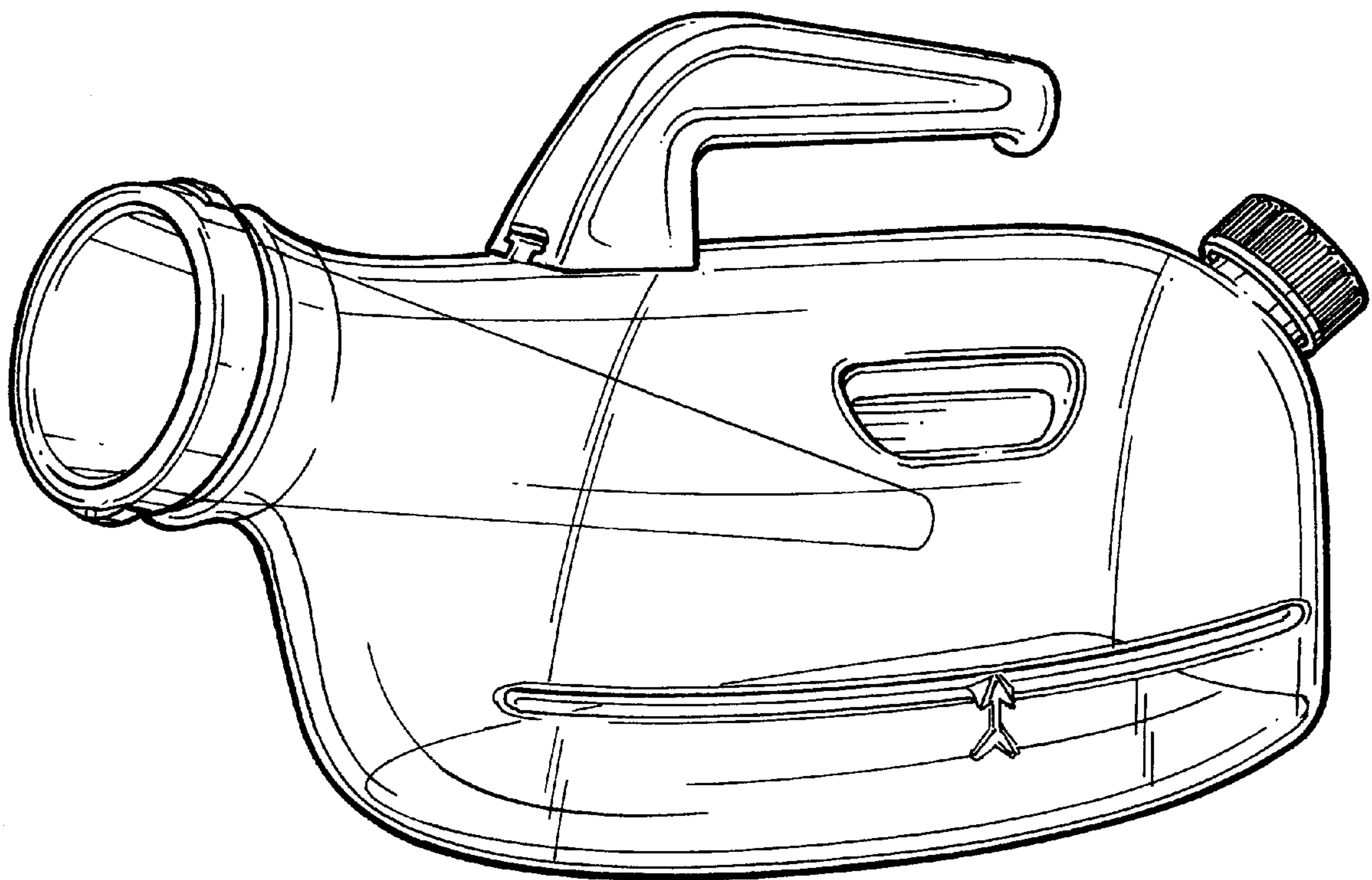
FIG. 1 is a perspective view of the urinal;
 FIG. 2 is a side view of the urinal;
 FIG. 3 is a top view of the urinal;
 FIG. 4 is a front view of the urinal;
 FIG. 5 is a rear view of the urinal; and,
 FIG. 6 is a bottom view of the urinal.

[56] **References Cited**

U.S. PATENT DOCUMENTS

D. 248,168 6/1978 Kelly D24/122
 D. 286,569 11/1986 Nakao et al. D24/122
 2,358,850 9/1944 Chanault 4/144.1

1 Claim, 3 Drawing Sheets



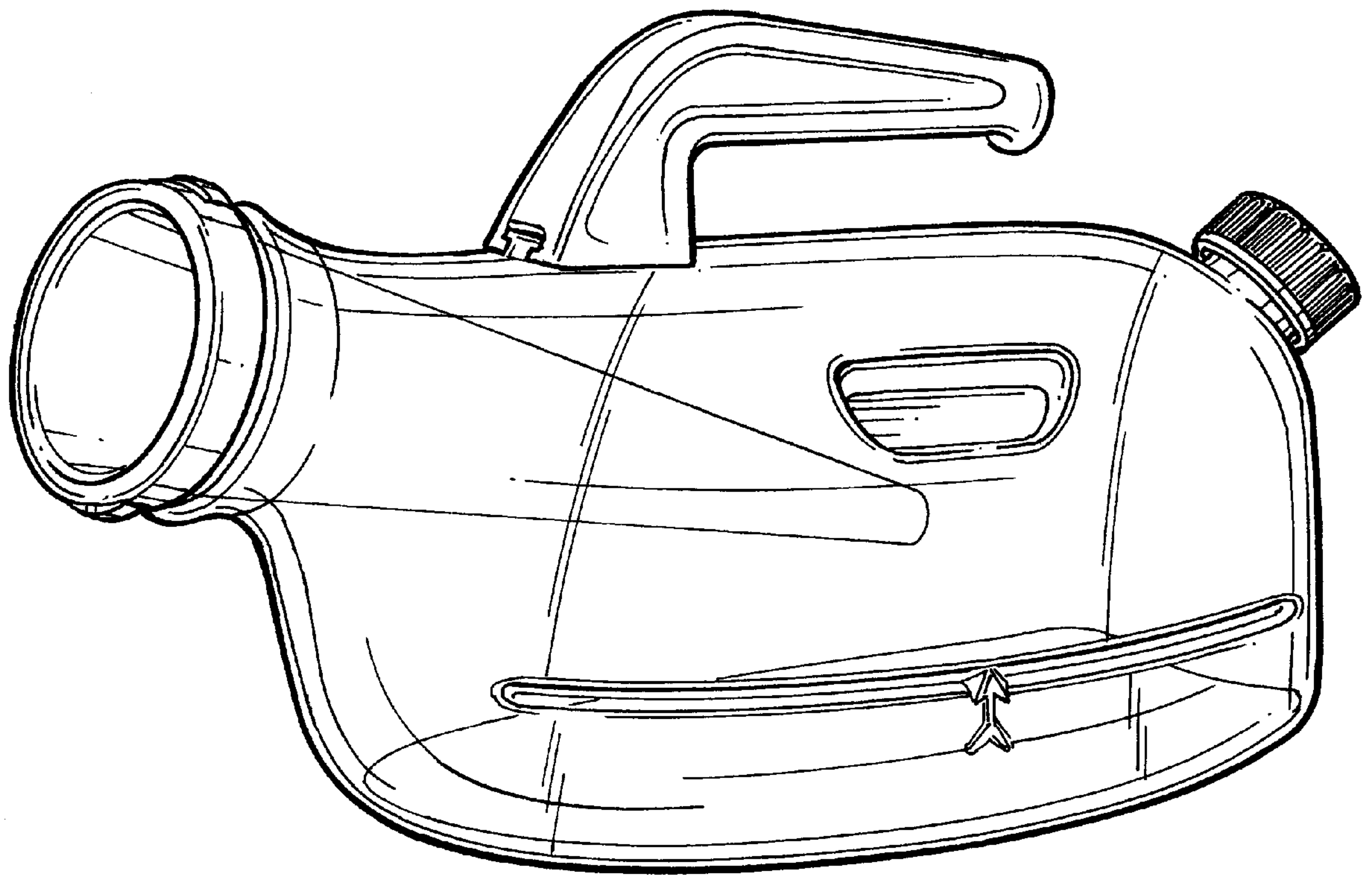


FIG. 1

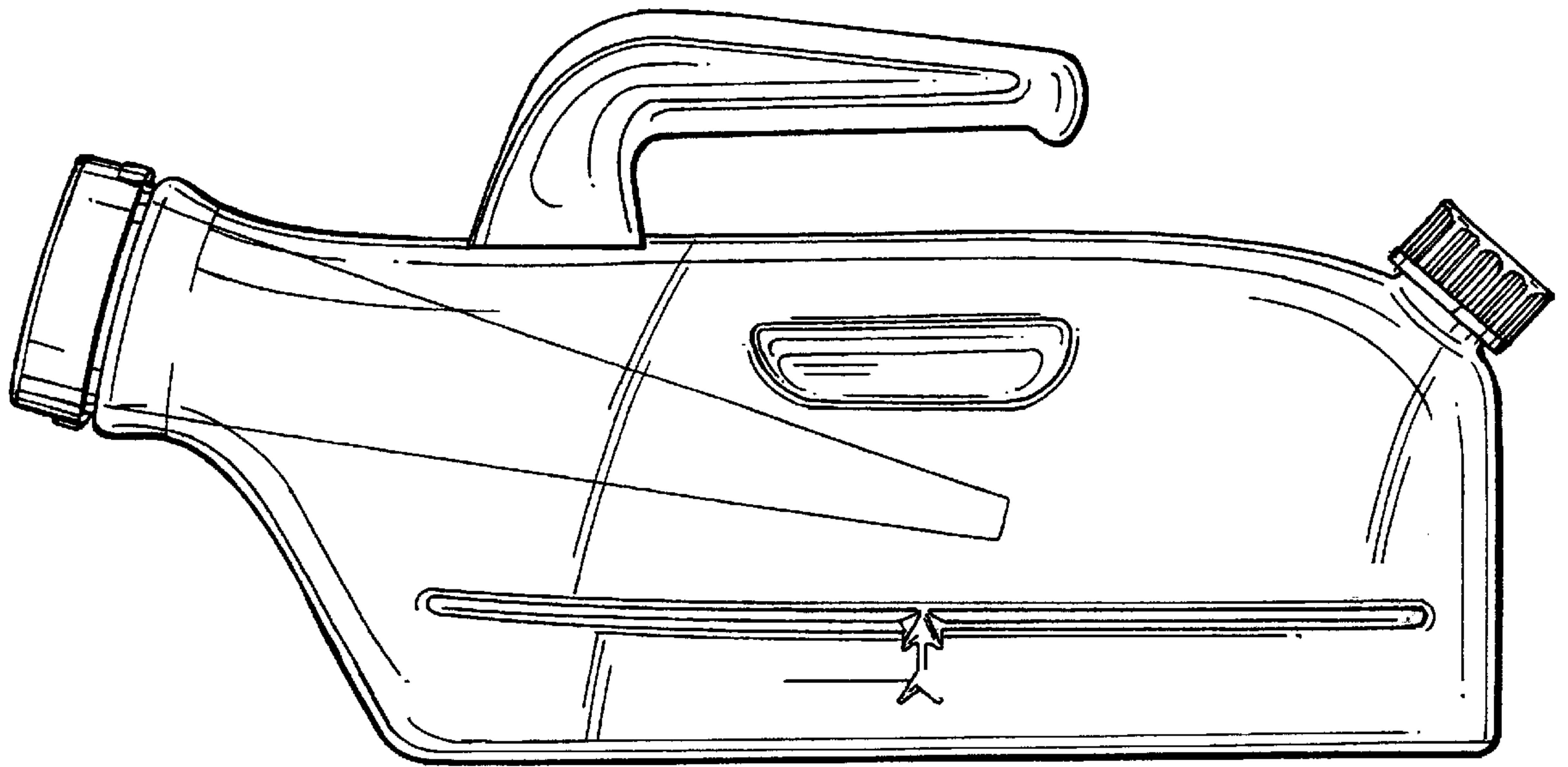


FIG. 2

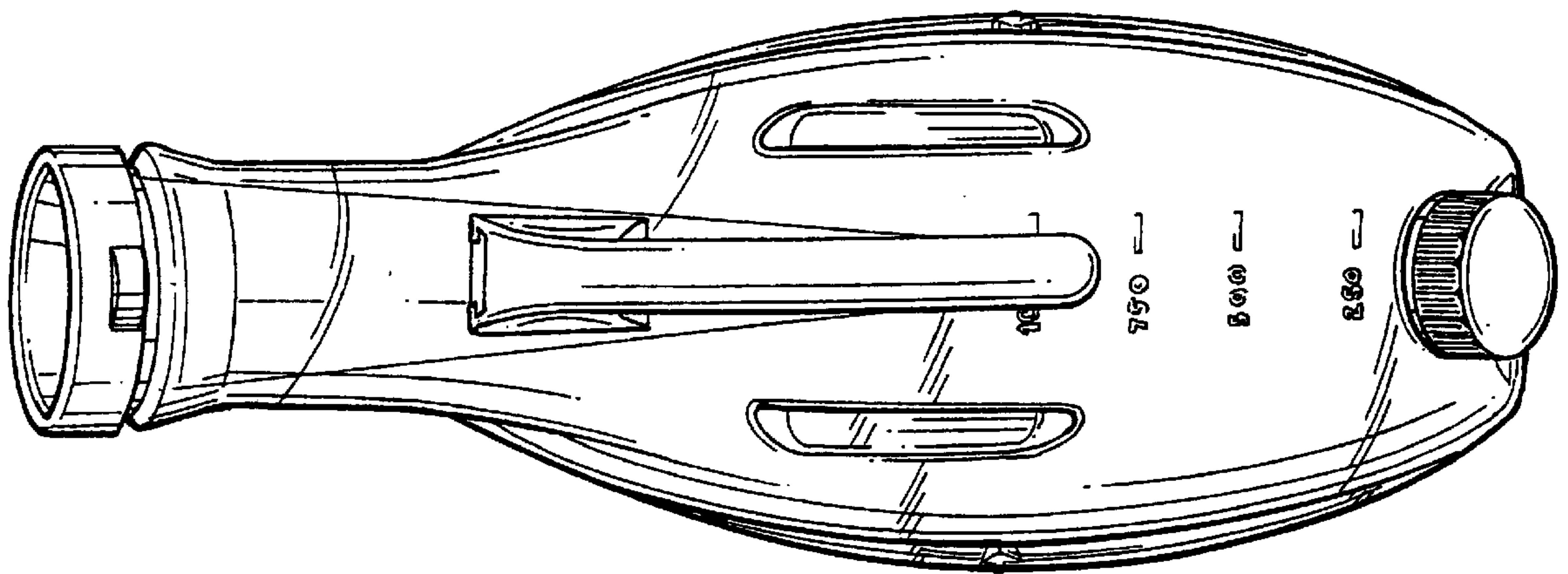


FIG. 3

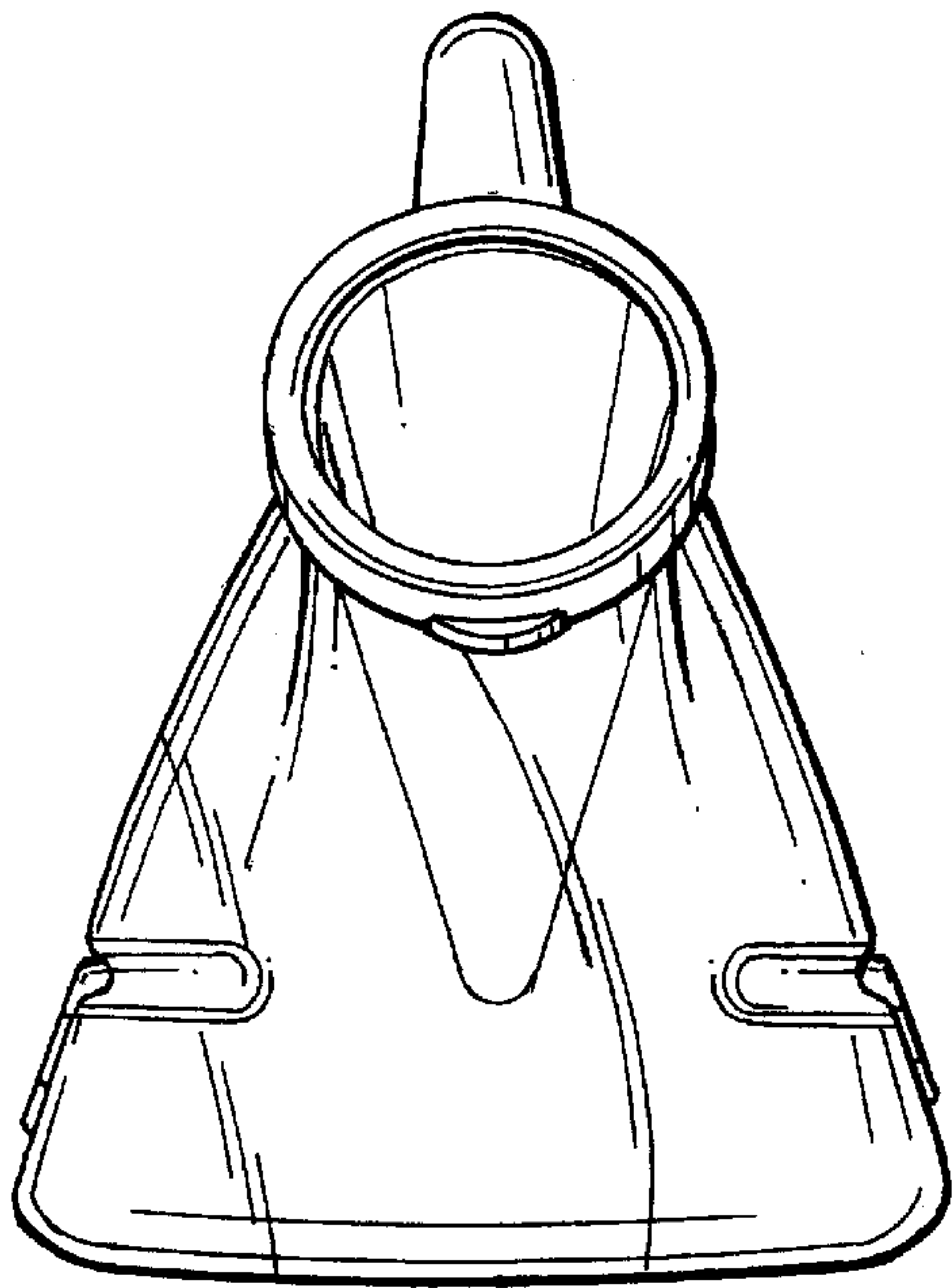


FIG. 4

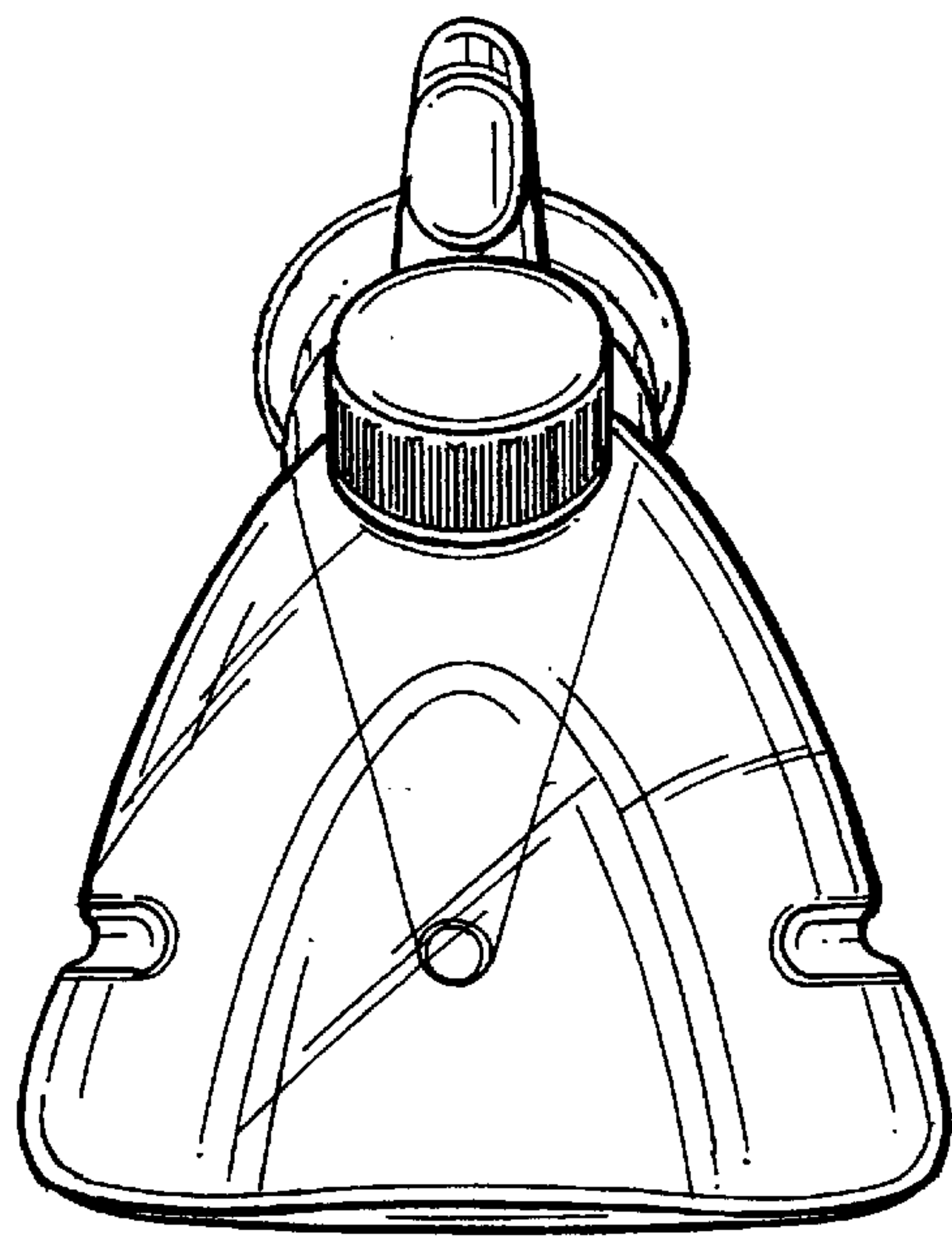


FIG. 5

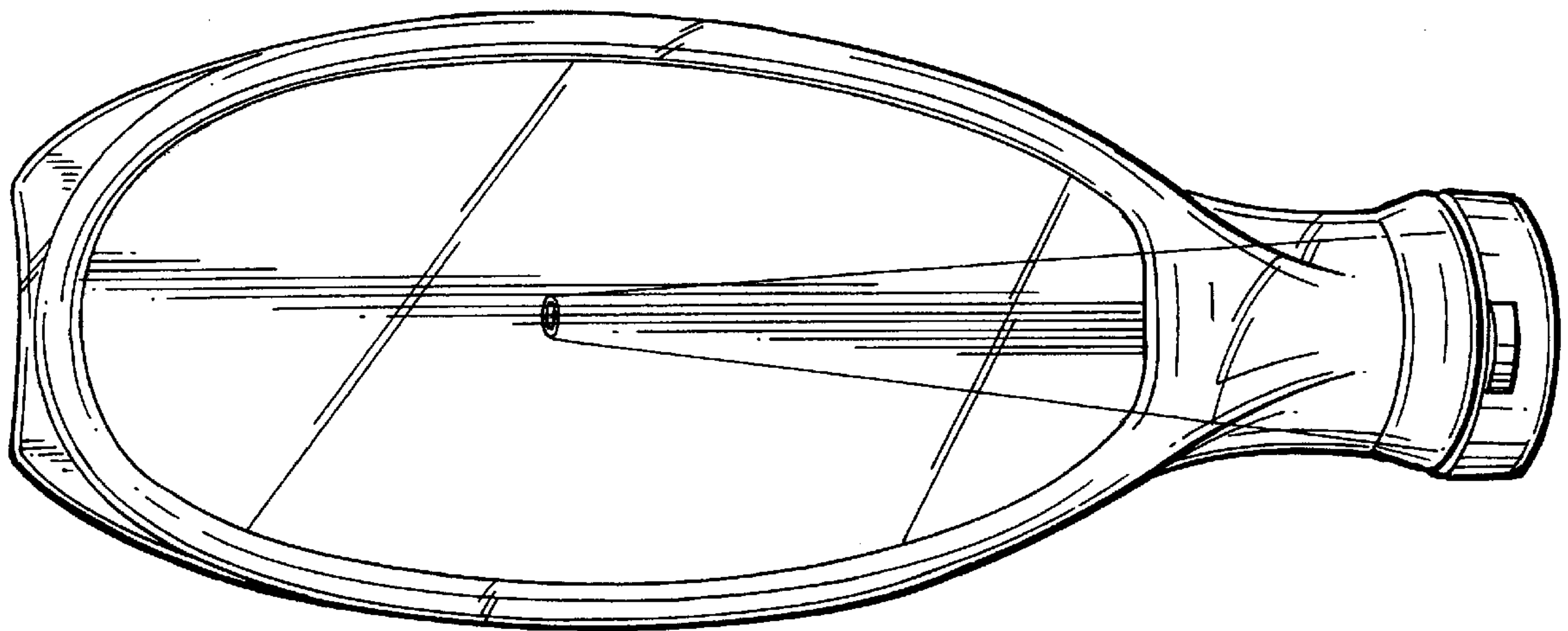


FIG. 6