



US00D429320S

United States Patent [19]
Reynolds

[11] **Patent Number: Des. 429,320**

[45] **Date of Patent: ** Aug. 8, 2000**

[54] **CHILDREN'S TRAINING URINAL**

[76] Inventor: **Billie Reynolds**, 9015 Hillmanway Dr.,
Memphis, Tenn. 38133

[**] Term: **14 Years**

[21] Appl. No.: **29/107,851**

[22] Filed: **Jul. 14, 1999**

[51] **LOC (7) Cl.** **23-02**

[52] **U.S. Cl.** **D23/296**

[58] **Field of Search** D23/295-301,
D23/309-312; 4/449, 479-483

D. 391,354 2/1998 Mendelovich et al. D23/296
2,431,538 11/1947 Brief et al. 4/476
2,719,305 10/1955 La Hue 4/483

Primary Examiner—Eric Watterson
Attorney, Agent, or Firm—Garvey, Smith, Nehrbass &
Doody, LLC

[57] **CLAIM**

The ornamental design for a children's training urinal.

DESCRIPTION

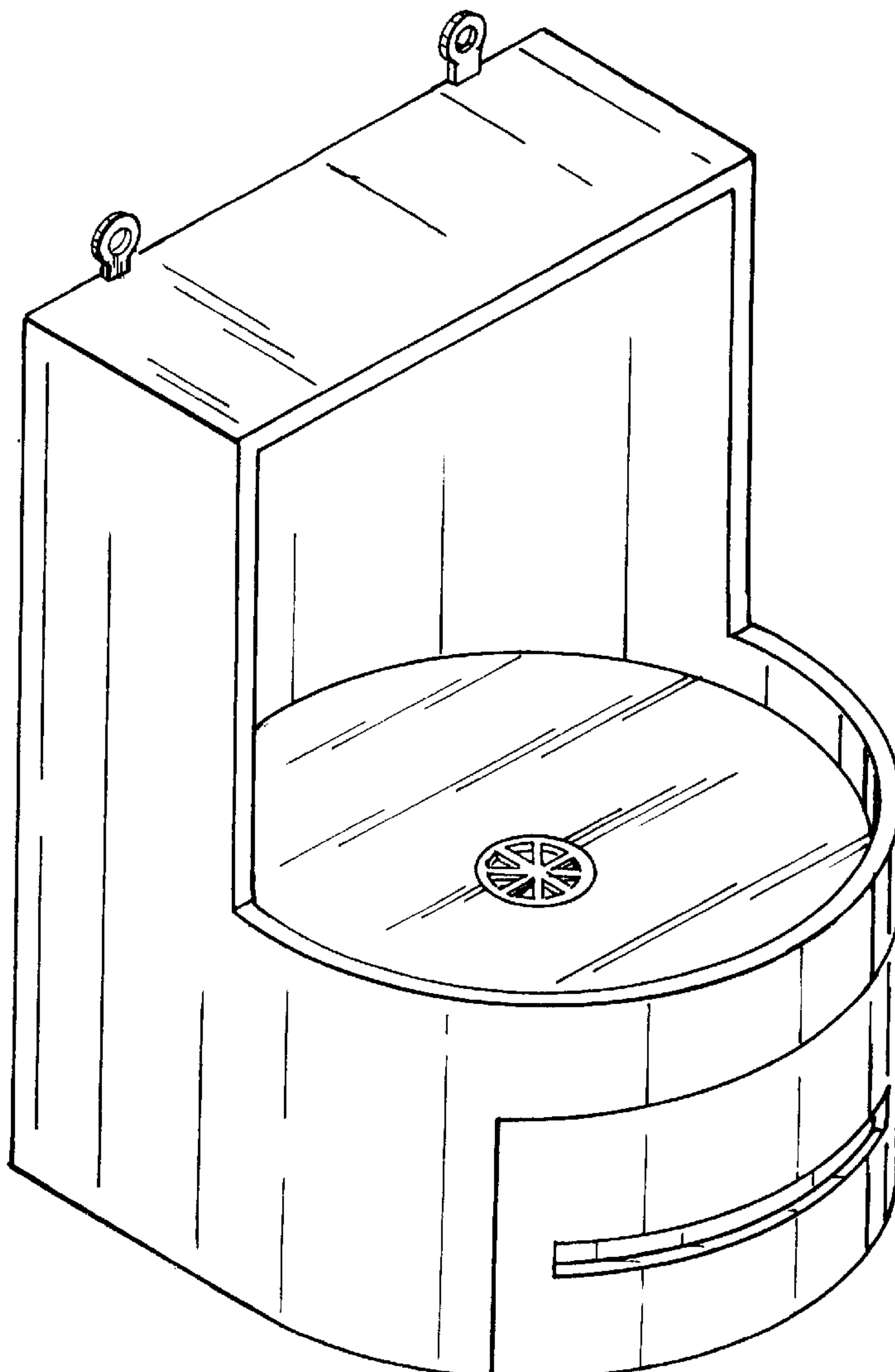
FIG. 1 is a perspective view of a children's training urinal showing my new design;
FIG. 2 is a right side elevational view thereof, the undisclosed left side elevational view being a mirror image;
FIG. 3 is a front elevational view thereof;
FIG. 4 is a top view thereof;
FIG. 5 is a bottom view thereof; and,
FIG. 6 is a rear elevational view thereof.

[56] **References Cited**

U.S. PATENT DOCUMENTS

D. 345,202 3/1994 Crossley et al. D23/296
D. 351,224 10/1994 Wise et al. D23/296
D. 368,517 4/1996 Petrie et al. D23/296
D. 379,495 5/1997 Sidman et al. D23/296

1 Claim, 2 Drawing Sheets



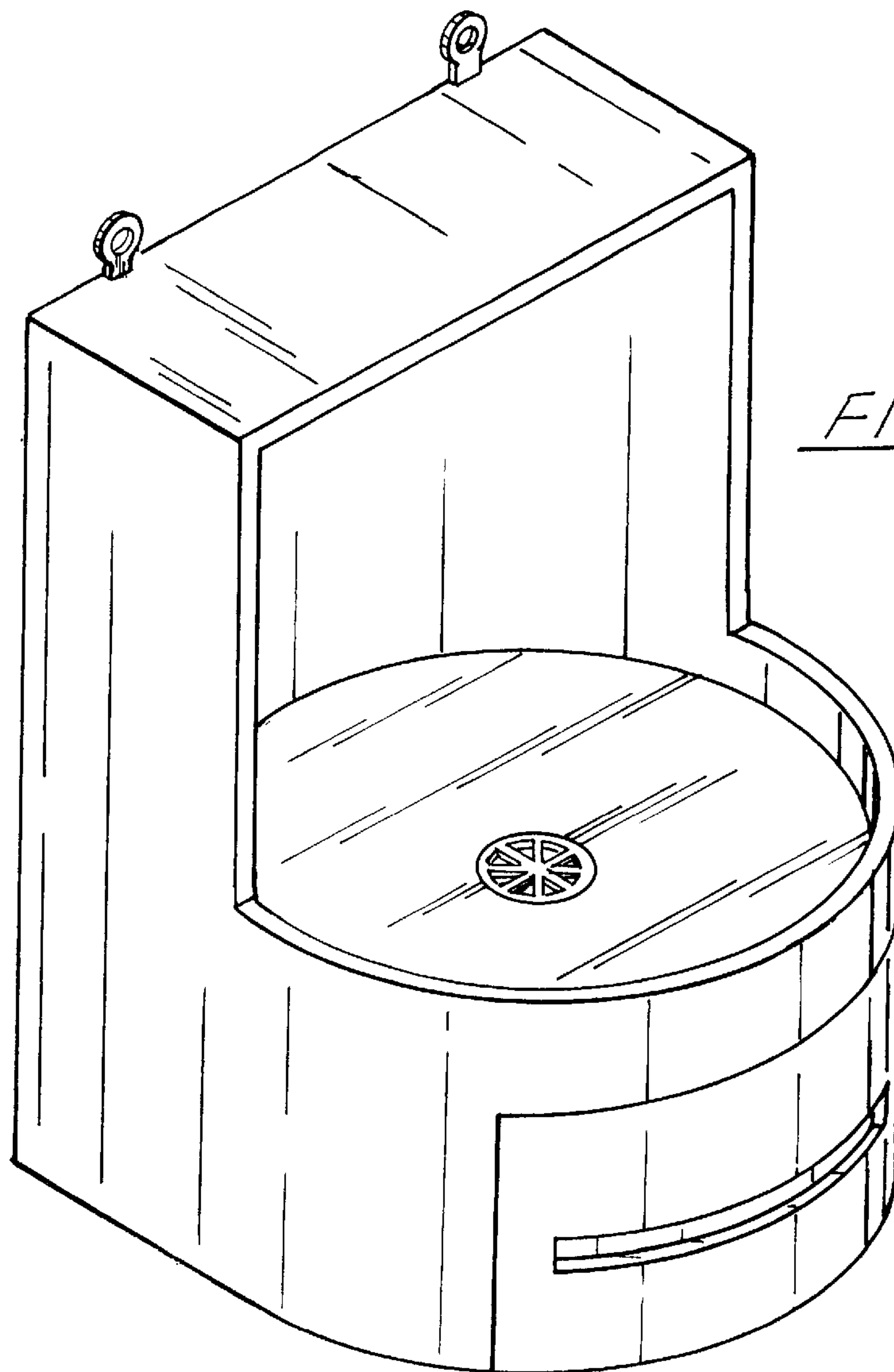


FIG. 1

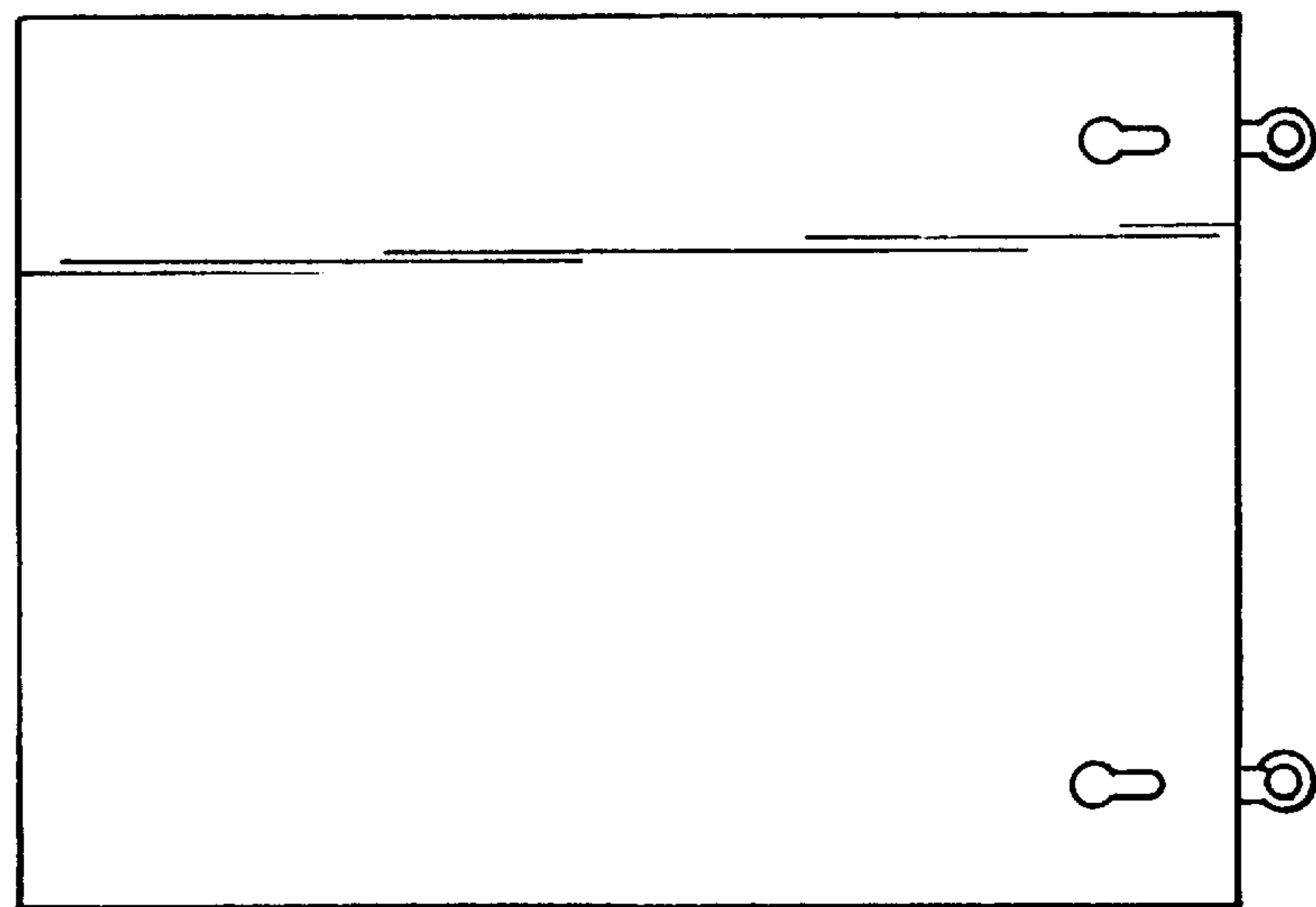


FIG. 6

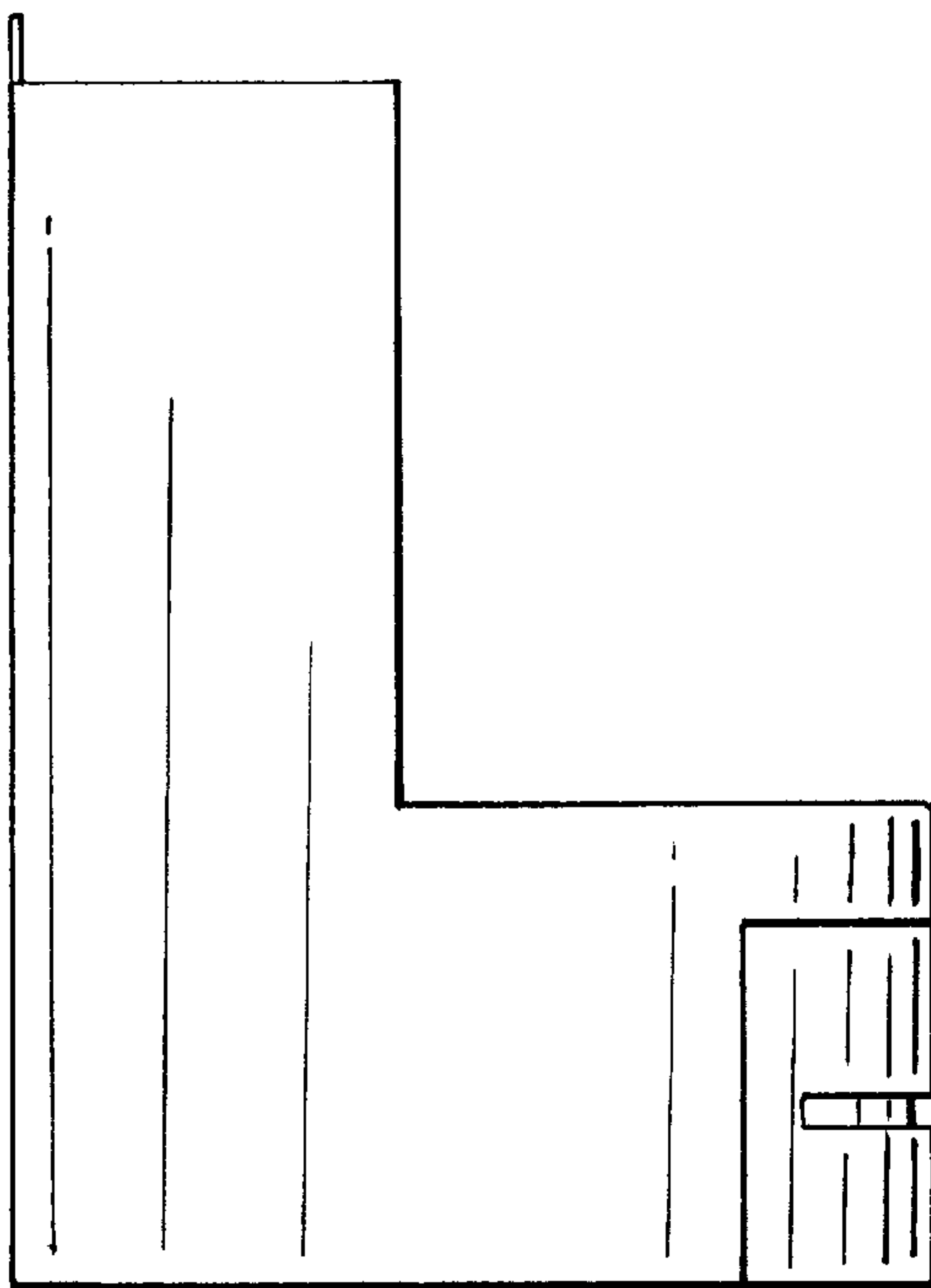


FIG. 2

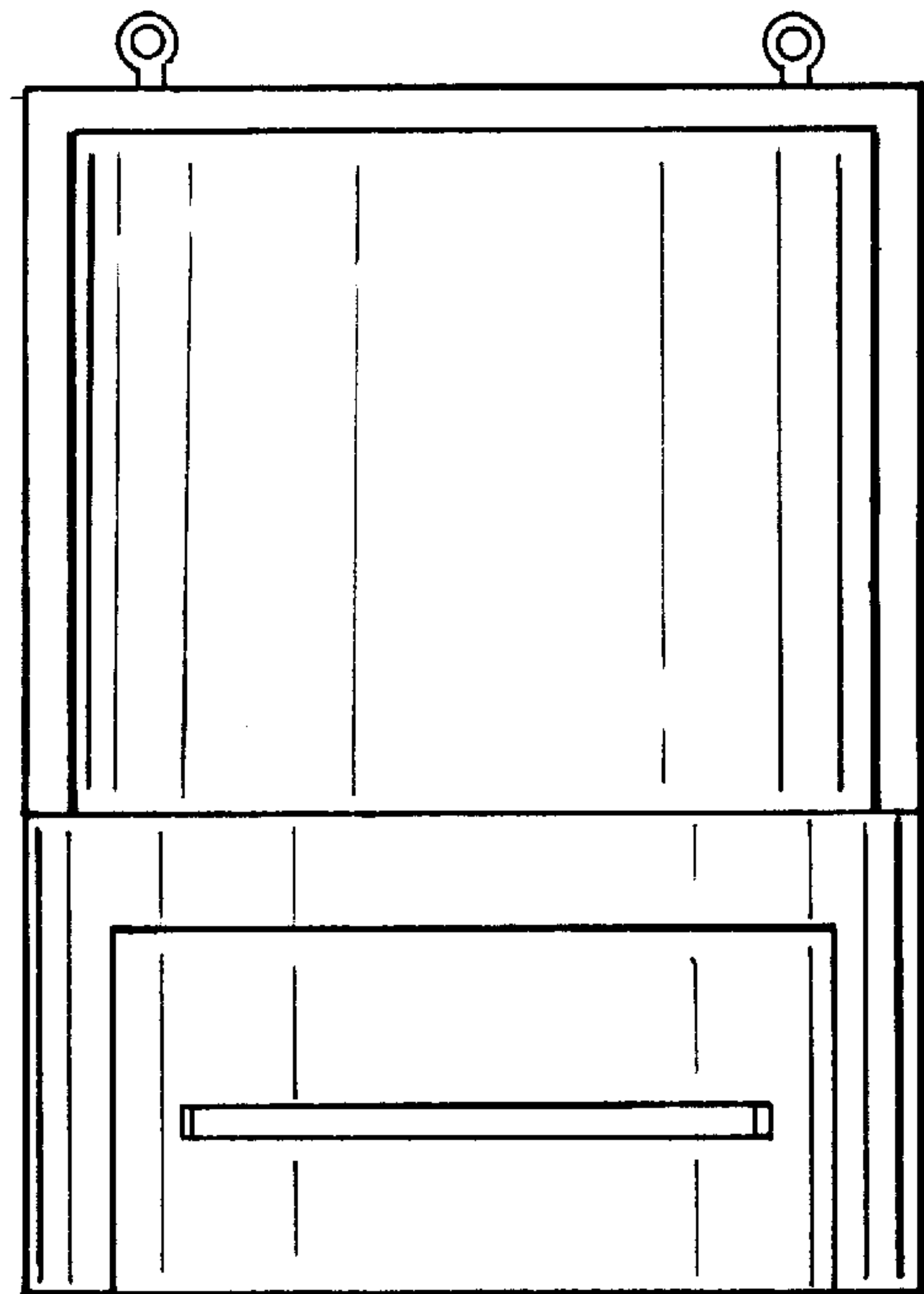


FIG. 3

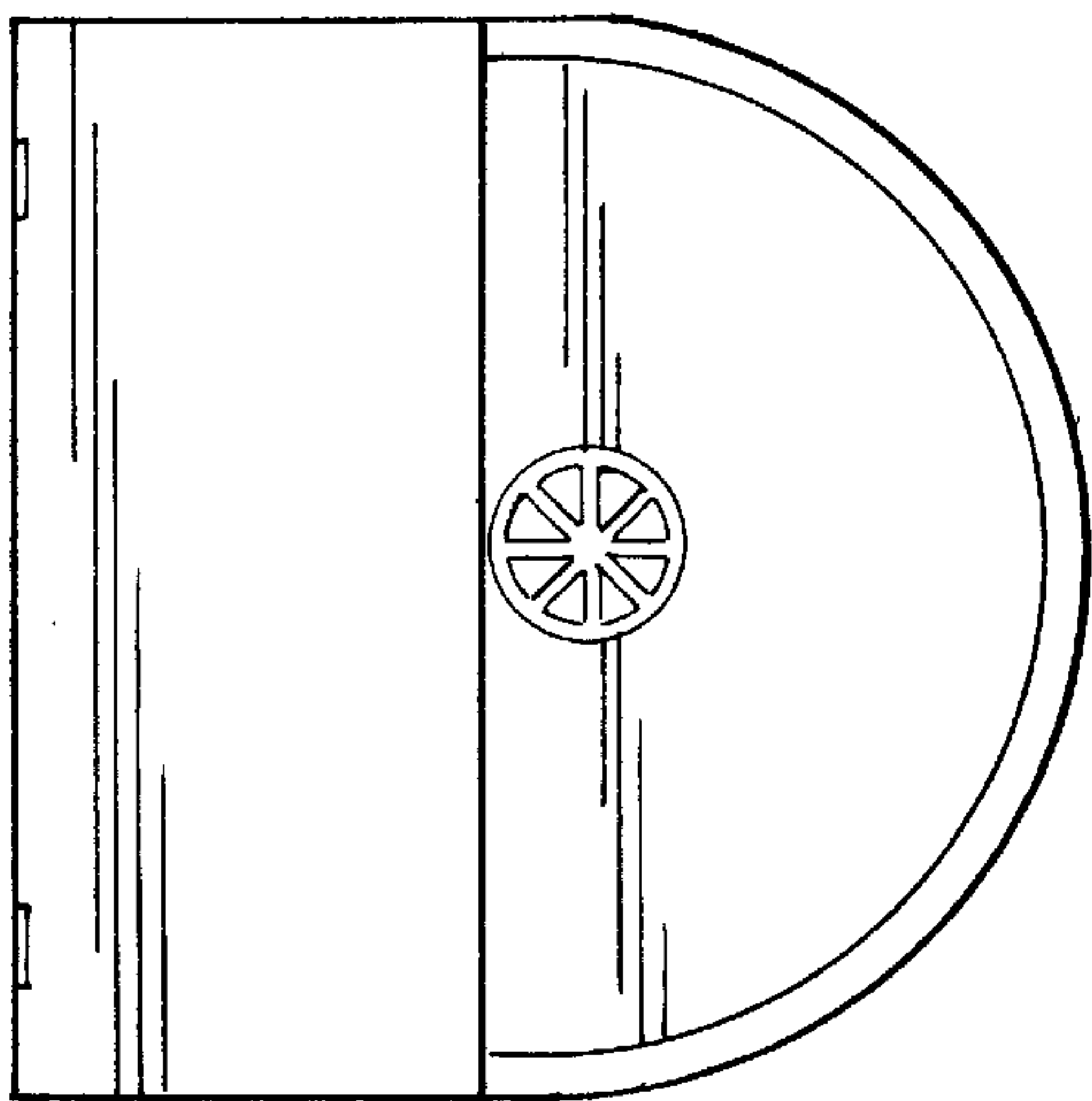


FIG. 4

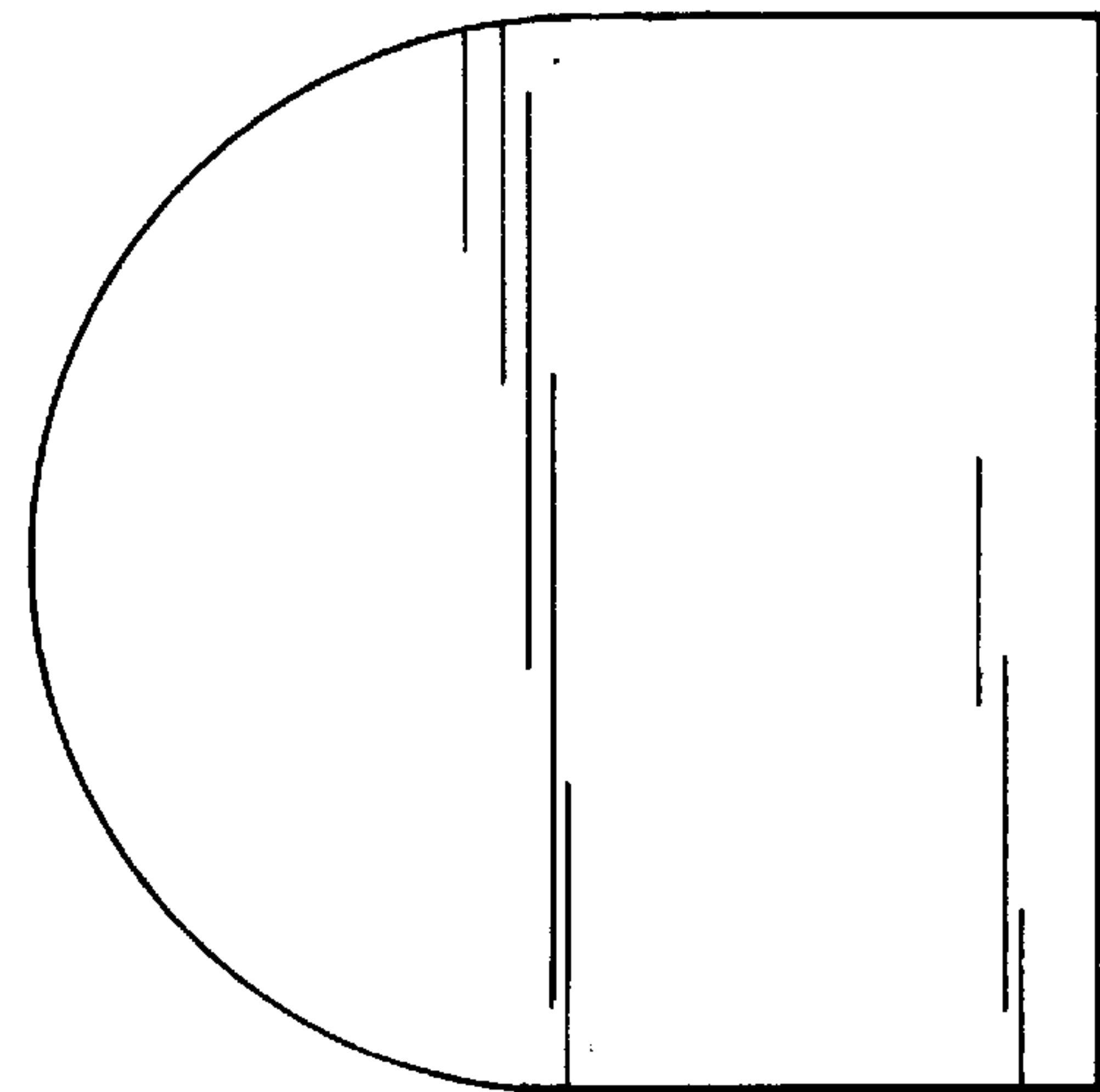


FIG. 5