



US00D429316S

United States Patent [19] McKeone

[11] **Patent Number: Des. 429,316**

[45] **Date of Patent: ** Aug. 8, 2000**

[54] **FAUCET**

[75] **Inventor: William C. McKeone, Sheboygan, Wis.**

[73] **Assignee: Kohler Co., Kohler, Wis.**

[**] **Term: 14 Years**

[21] **Appl. No.: 29/113,582**

[22] **Filed: Nov. 8, 1999**

[51] **LOC (7) Cl. 23-01**

[52] **U.S. Cl. D23/238; D23/241**

[58] **Field of Search D23/238-243,
D23/250-257; 4/675-678; 137/801**

[56] **References Cited**

U.S. PATENT DOCUMENTS

D. 83,293	4/1931	Sakier	D23/238
D. 106,319	10/1937	Morgan	D23/242
D. 291,475	8/1987	Gregory	D23/238
D. 297,755	9/1988	Paul	D23/242
D. 417,262	11/1999	Caplow	D23/255
4,735,357	4/1988	Gregory et al.	137/801

OTHER PUBLICATIONS

1987 Kohler catalog ad, pp. 3-38, showing "Trend" lavatory faucets.

1987 Kohler catalog ad, pp. 3-29, showing "Triton II" lavatory faucets.

1997 Kohler catalog ad, p. 2.73, showing "Coralais" lavatory faucets.

Kohler Design Manual K-500, pp. 2-39, item K-6940-S—Deck Mounted Roman Bath Spout, Dec. 1990.

Primary Examiner—Louis S. Zarfes
Attorney, Agent, or Firm—Quarles & Brady LLP

[57] **CLAIM**

The ornamental design for a faucet, as shown and described.

DESCRIPTION

FIG. 1 is a left, top, front perspective view of a faucet embodying my new design;

FIG. 2 is a left side elevational view thereof, the right side elevational view being a mirror image of the left side shown;

FIG. 3 is a front elevational view thereof;

FIG. 4 is a top plan view thereof;

FIG. 5 is a rear elevational view thereof; and,

FIG. 6 is a bottom plan view thereof.

The broken line representations of holes in FIGS. 1, 4, and 5, and of mounting structure in FIGS. 1-3, 5, and 6, are for the purposes of illustration only, and form no part of the claimed design.

1 Claim, 3 Drawing Sheets

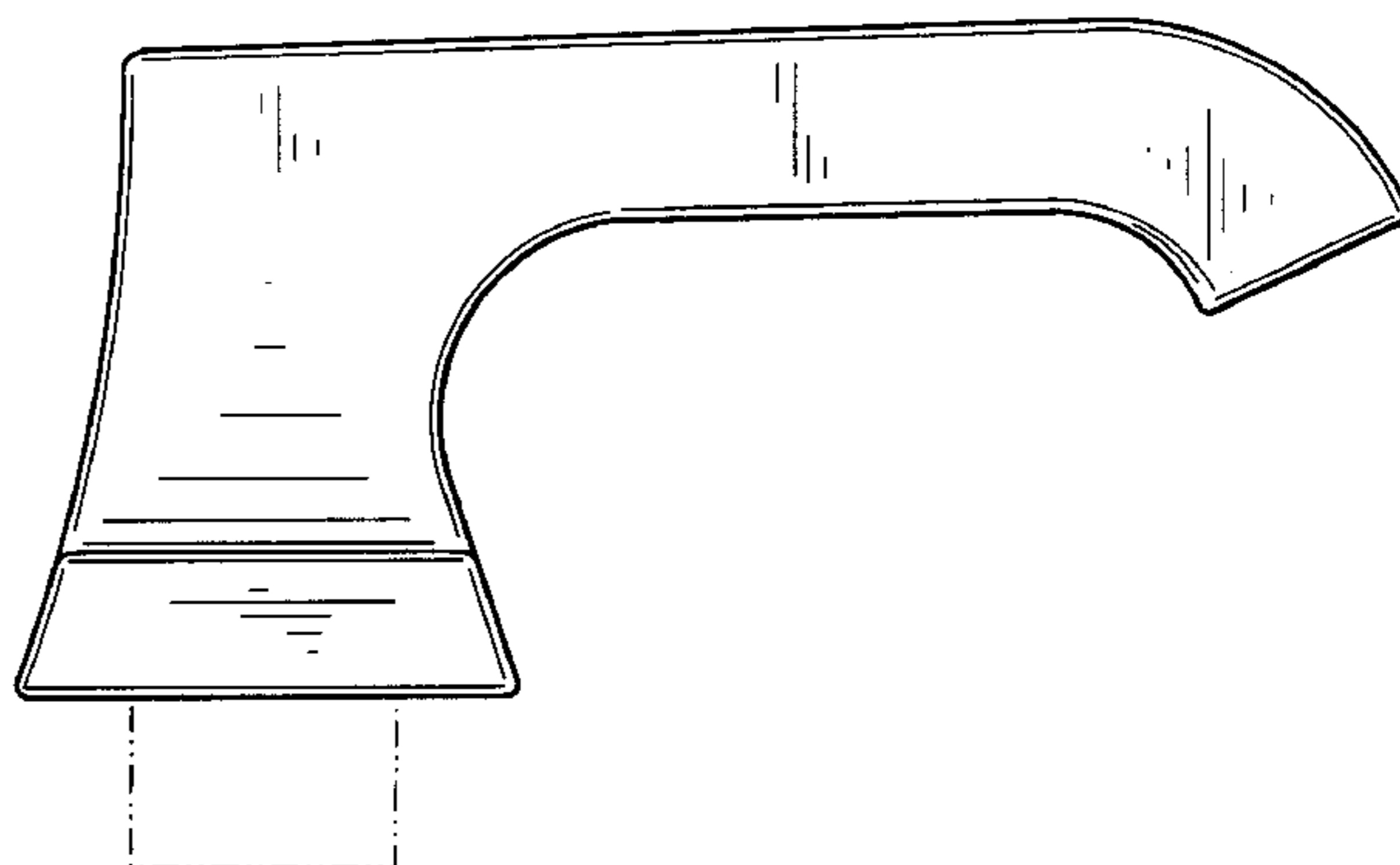
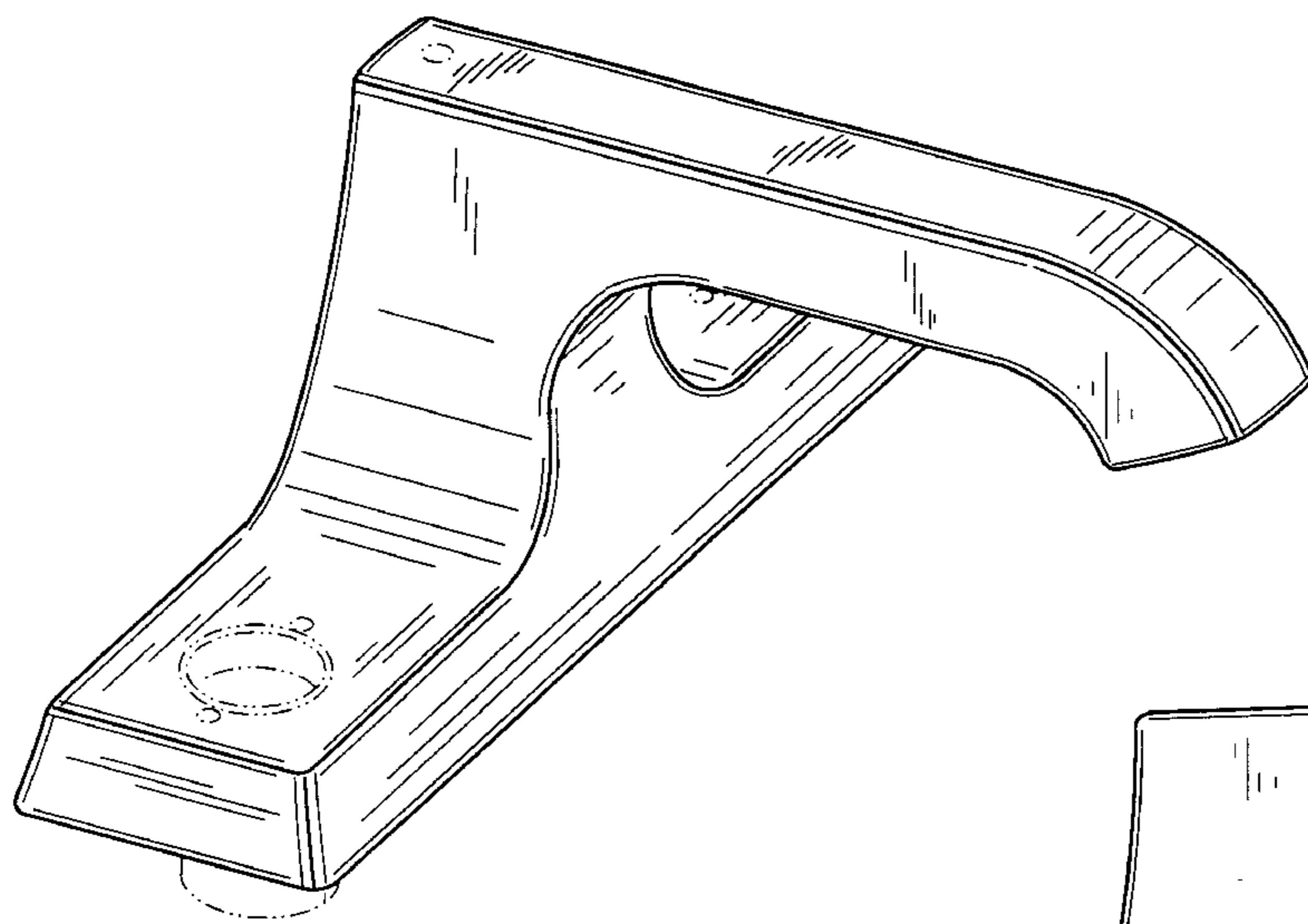


FIG. 1

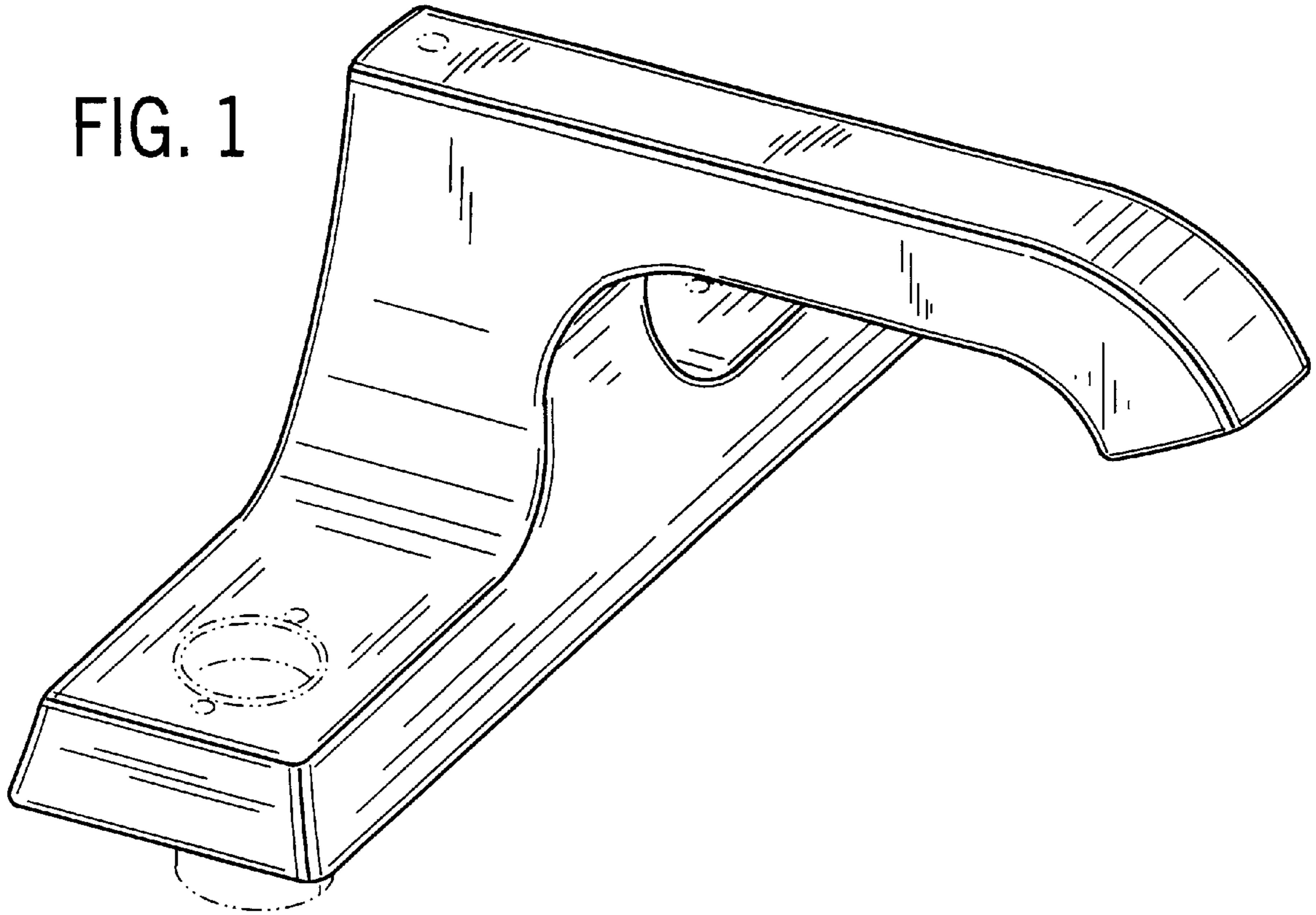


FIG. 2

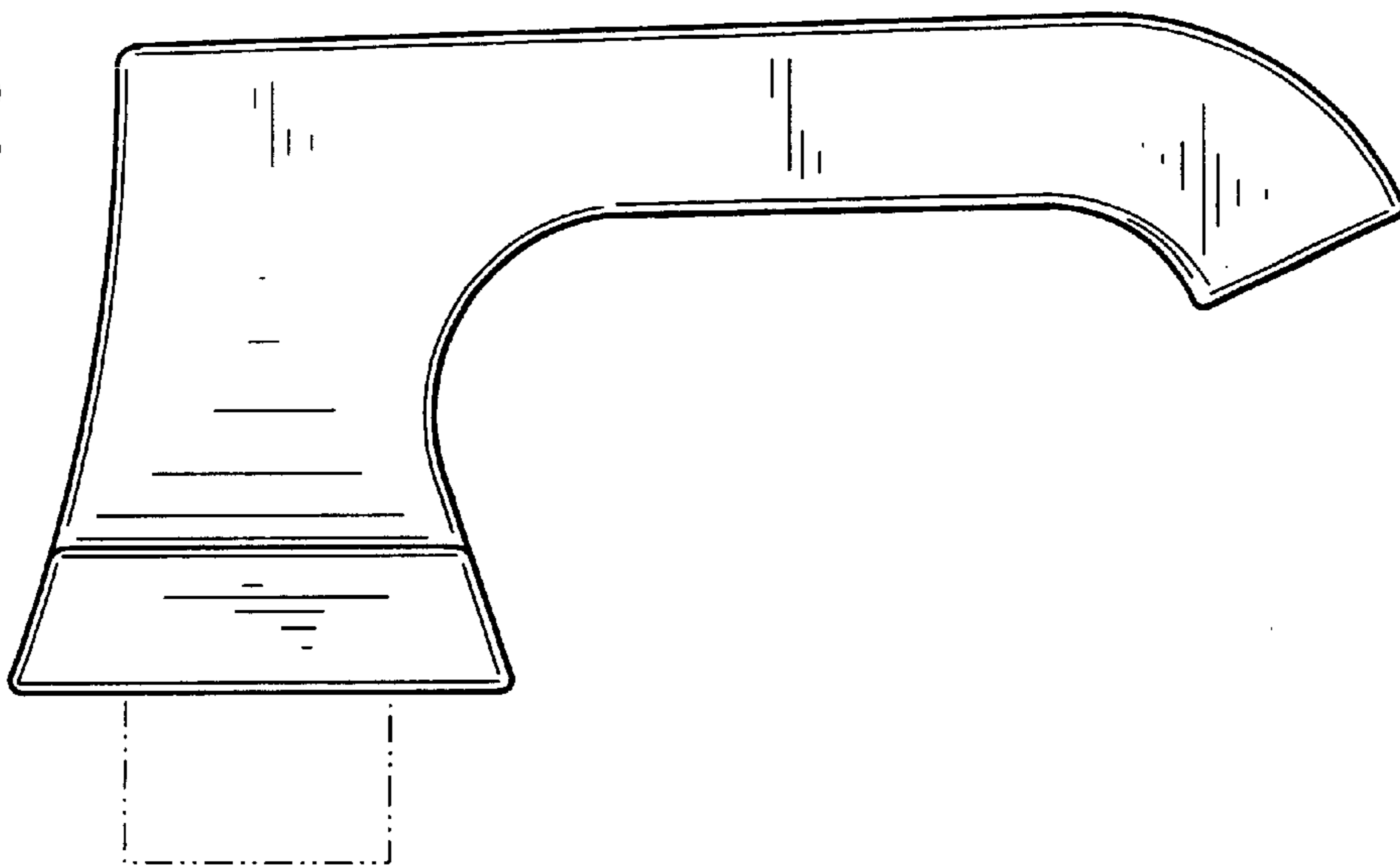


FIG. 3

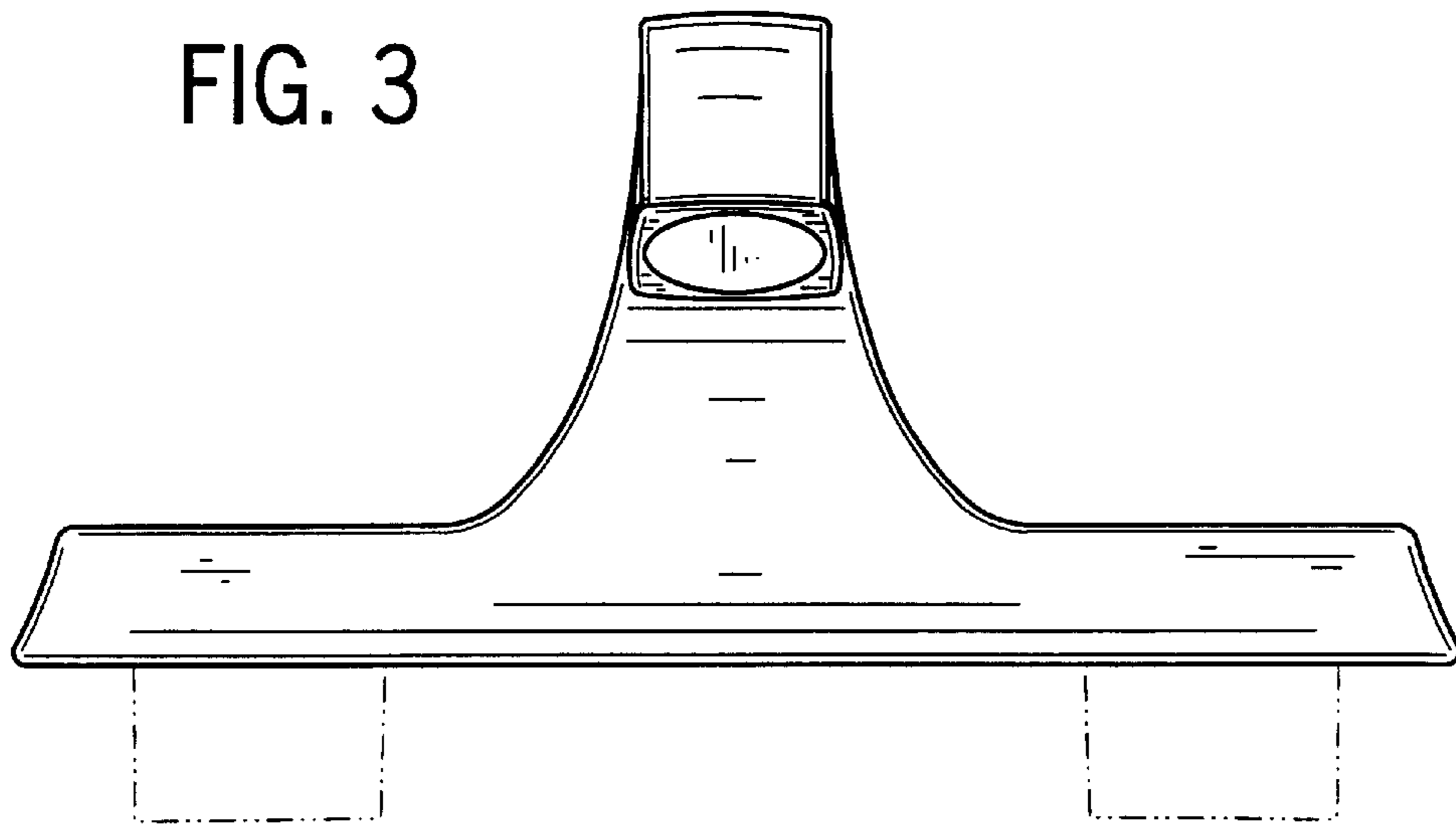


FIG. 4

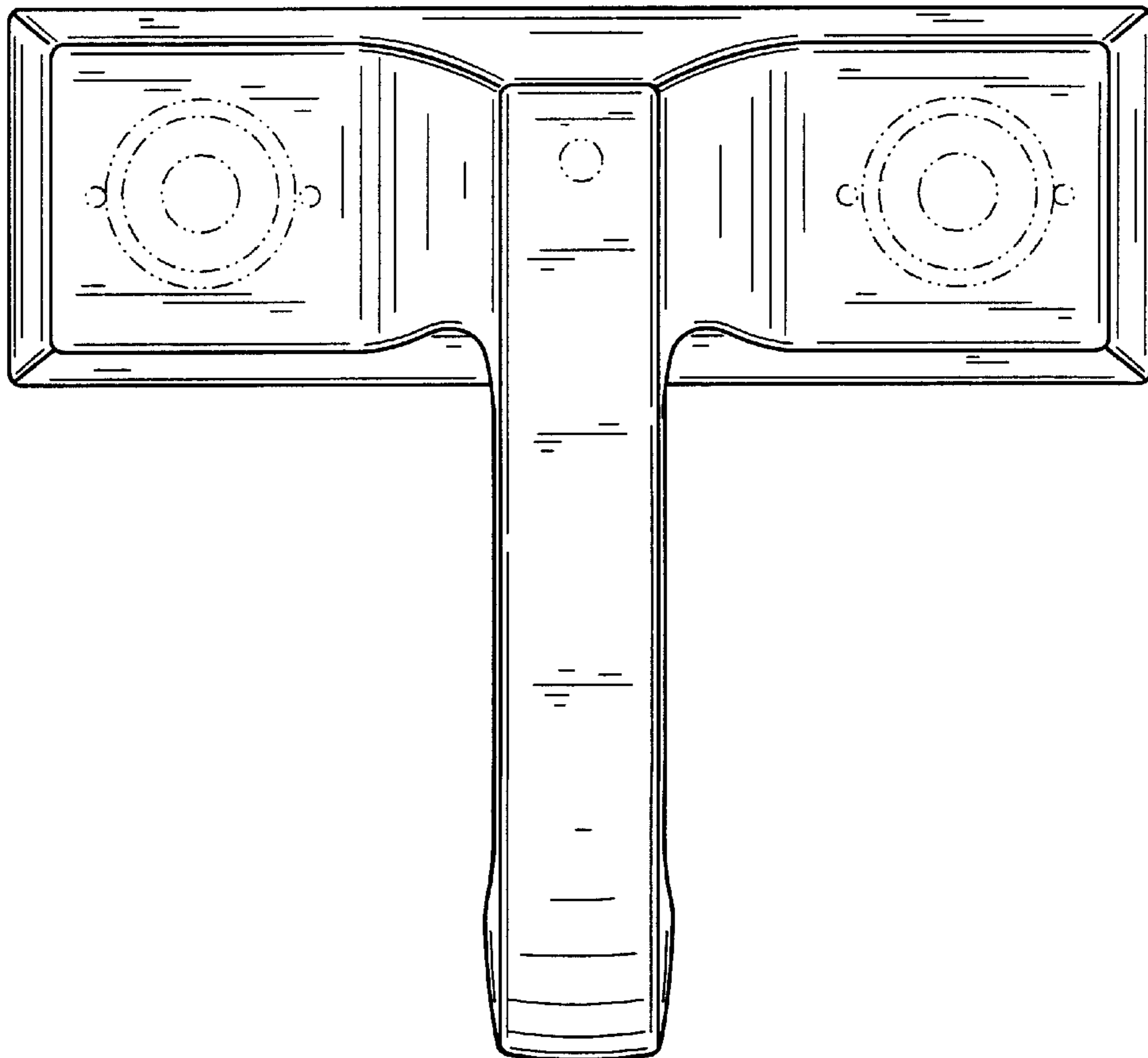


FIG. 5

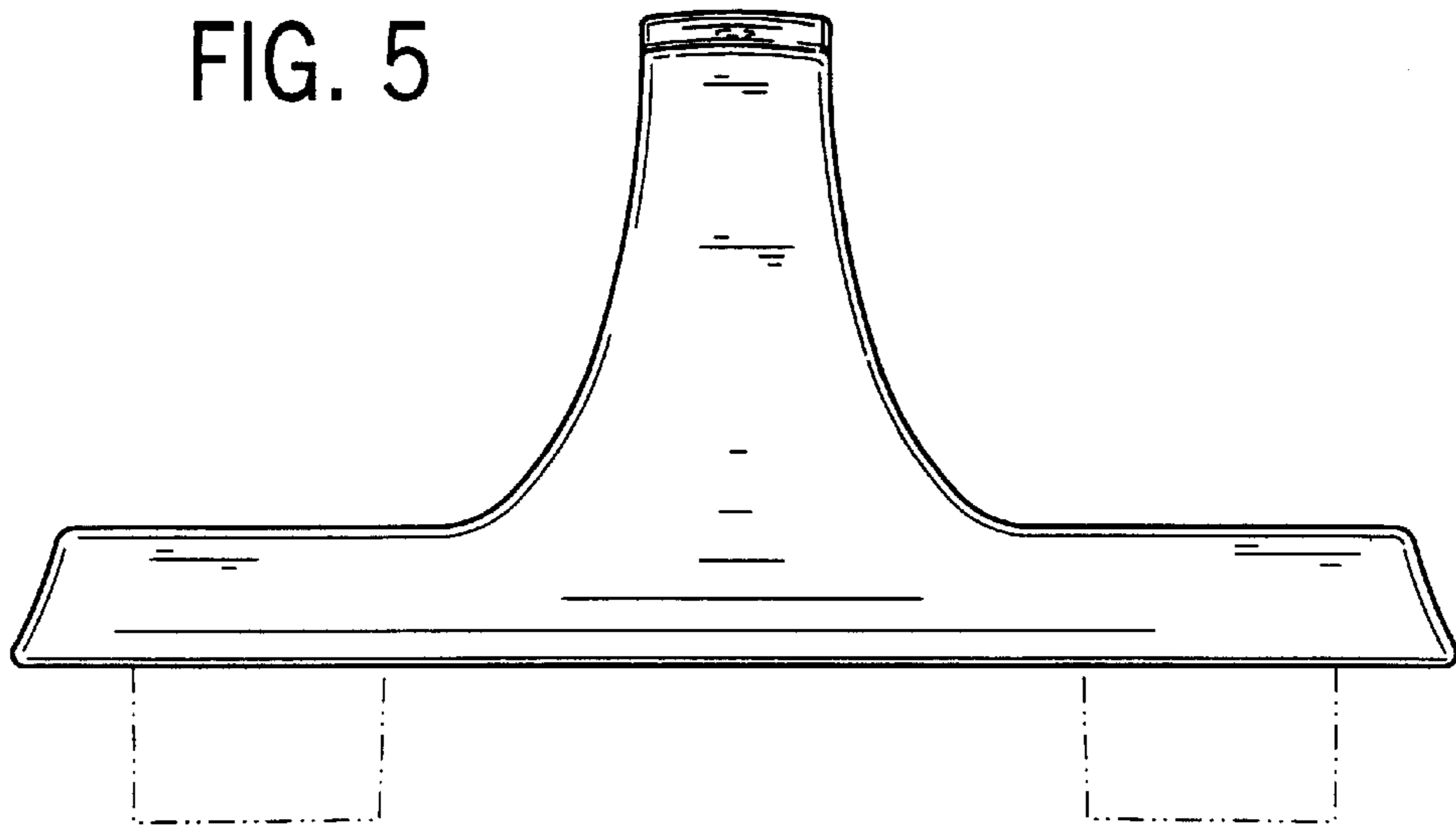


FIG. 6

