



US00D429315S

United States Patent [19]

Okada et al.

[11] Patent Number: Des. 429,315

[45] Date of Patent: ** Aug. 8, 2000

[54] THERMAL TYPE EXPANSION VALVE

DESCRIPTION

[75] Inventors: Satoru Okada, Hashima; Kiyotaka Kasugai, Ogaki, both of Japan

[73] Assignee: Pacific Industrial Co., Ltd., Gifu-Ken, Japan

[**] Term: 14 Years

[21] Appl. No.: 29/098,352

[22] Filed: Dec. 28, 1998

[30] Foreign Application Priority Data

Jul. 29, 1998	[JP]	Japan	10-18745
Jul. 29, 1998	[JP]	Japan	10-18746
Jul. 29, 1998	[JP]	Japan	10-18747

[51] LOC (7) Cl. 23-01

[52] U.S. Cl. D23/233

[58] Field of Search D23/233, 235, D23/237, 247, 248, 234; 236/53, 63, 64, 66; 137/625.48

[56] References Cited

U.S. PATENT DOCUMENTS

D. 234,359	2/1975	Holben et al.	D23/233
1,101,339	6/1914	Schutt	236/64
3,661,182	5/1972	Loveless	137/625.48
4,671,322	6/1987	Purfurst	137/625.48

Primary Examiner—Robin V. Taylor
Attorney, Agent, or Firm—Trask, Britt & Rossa

[57] CLAIM

The ornamental design for a thermal type expansion valve, as shown and described.

FIG. 1 is a top plan view of a thermal type expansion valve; FIG. 2 is a bottom plan view thereof; FIG. 3 is a rear elevational view thereof; FIG. 4 is a front elevational view thereof; FIG. 5 is a right side view thereof, the left side view being a mirror image of the right side view; FIG. 6 is a front perspective view thereof; FIG. 7 is a top plan view of a second embodiment of the thermal type expansion valve; FIG. 8 is a bottom plan view thereof; FIG. 9 is a rear elevational view thereof; FIG. 10 is a front perspective view thereof; FIG. 11 is a right side view thereof, the left side view being a mirror image of the right side view; FIG. 12 is a front perspective view thereof; FIG. 13 is a top plan view of a third embodiment of the thermal type expansion valve; FIG. 14 is a bottom plan view thereof; FIG. 15 is a rear elevational view thereof; FIG. 16 is a front elevational view thereof; FIG. 17 is a right side view thereof, the left side view being a mirror image of the right side view; FIG. 18 is a front perspective view thereof; FIG. 19 is a top plan view of a fourth embodiment of the thermal type expansion valve; FIG. 20 is a bottom plan view thereof; FIG. 21 is a rear elevational view thereof; FIG. 22 is a front perspective view thereof; FIG. 23 is a right side view thereof, the left side view being a mirror image of the right side view; and, FIG. 24 is a front perspective view thereof.

1 Claim, 12 Drawing Sheets

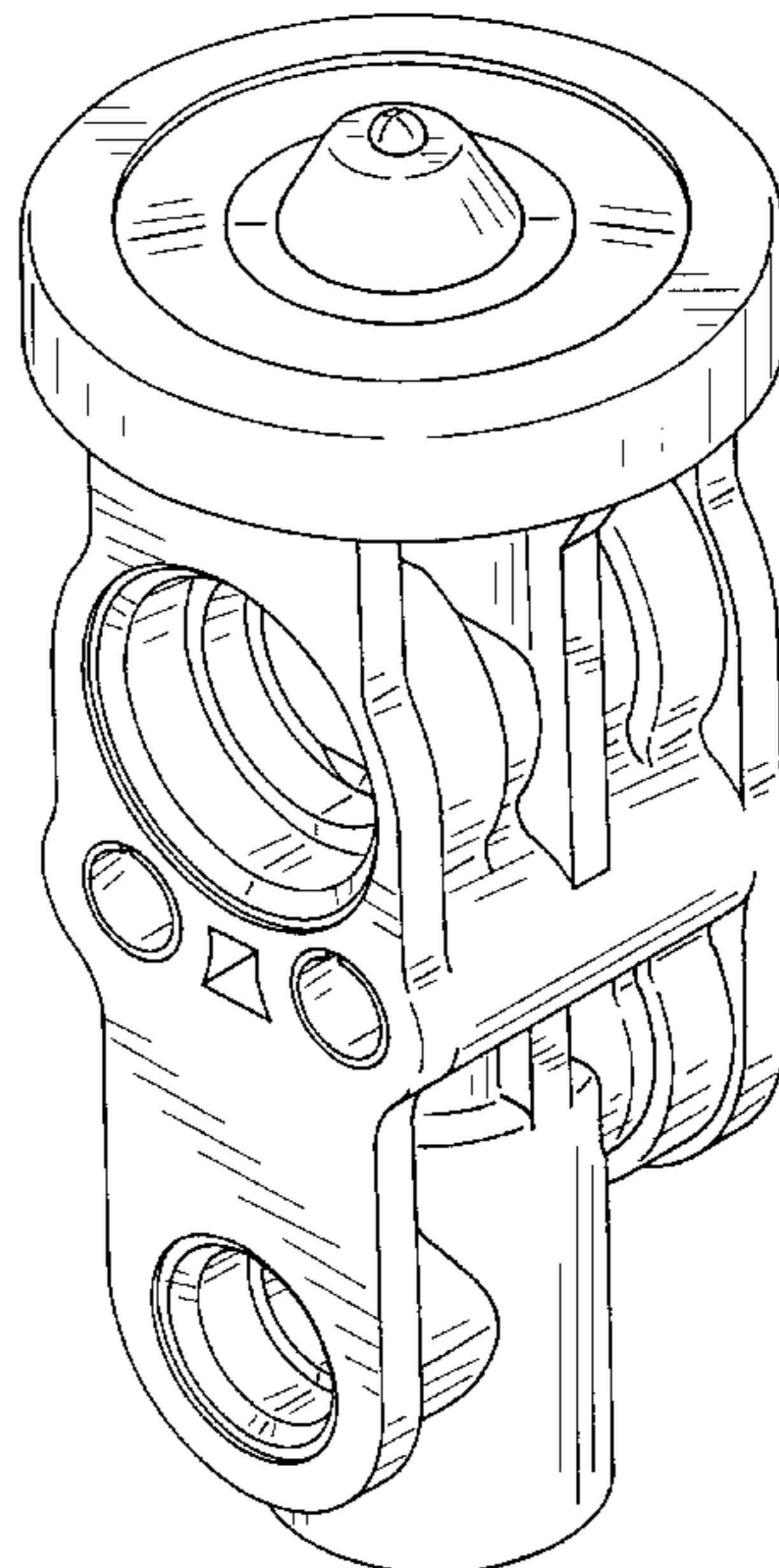
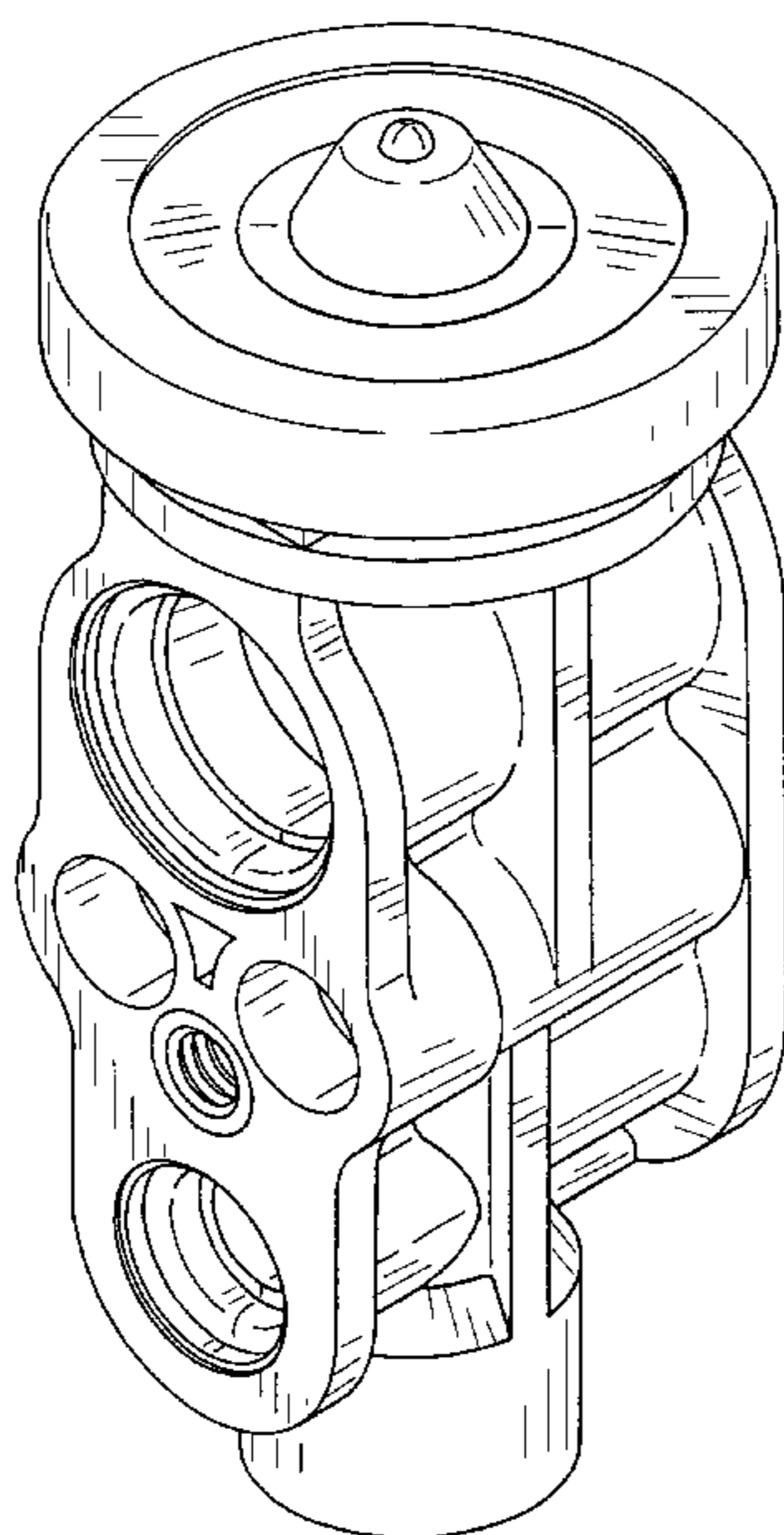


Fig. 4

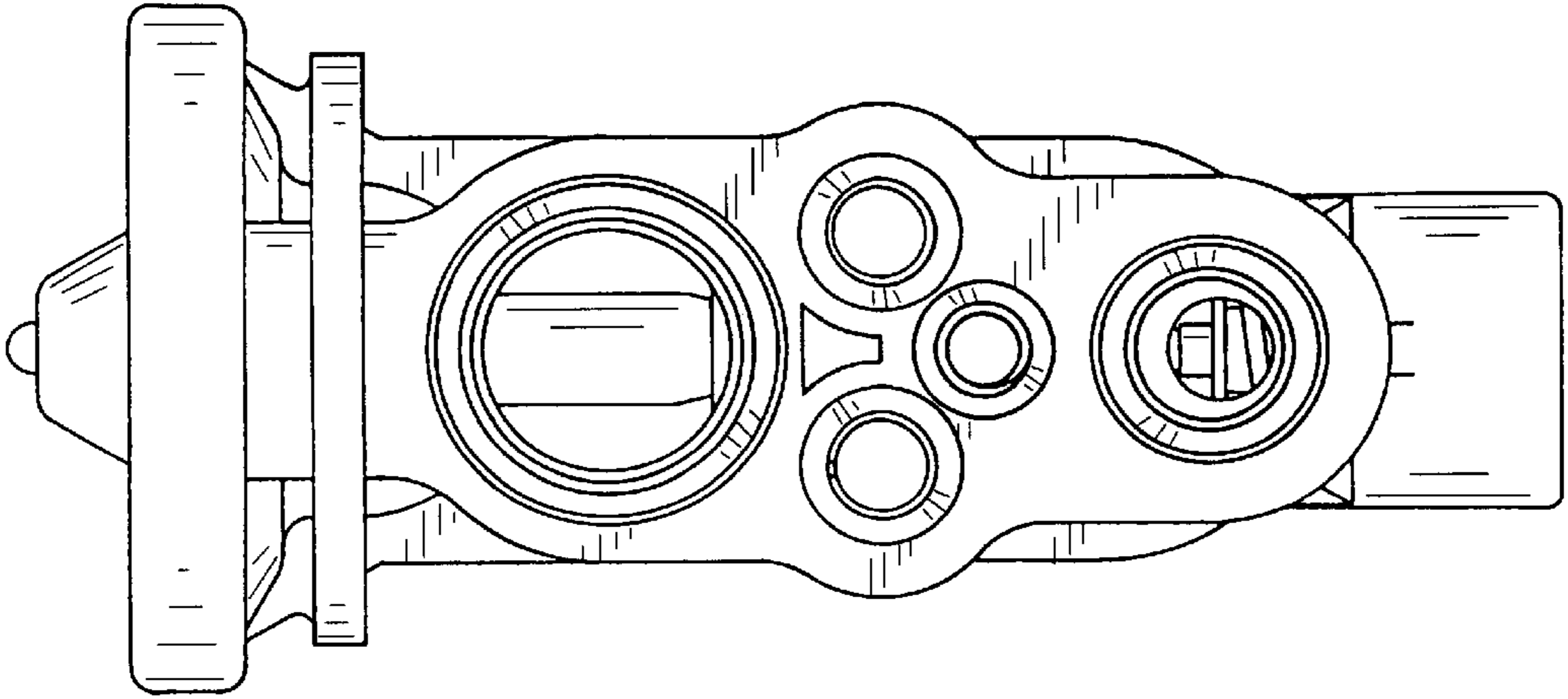


Fig. 3

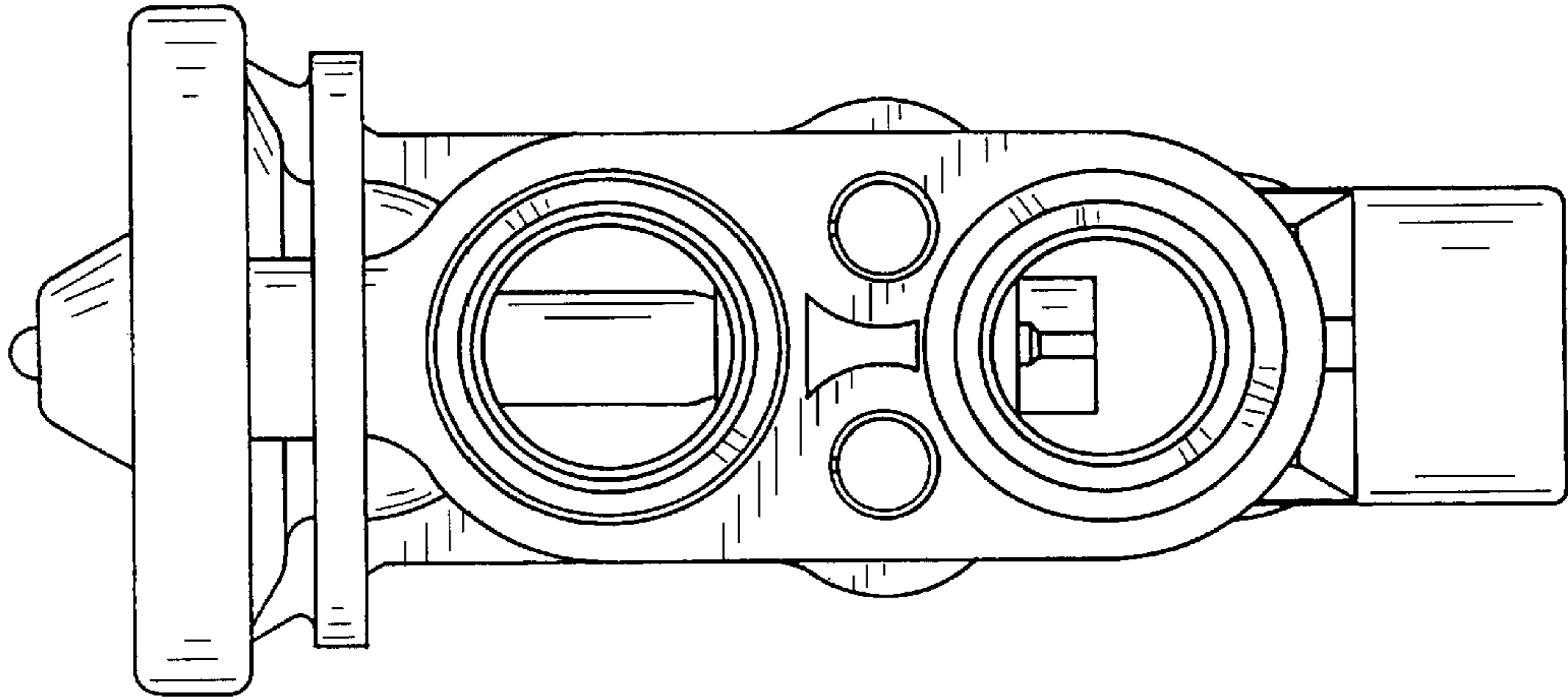


Fig. 1

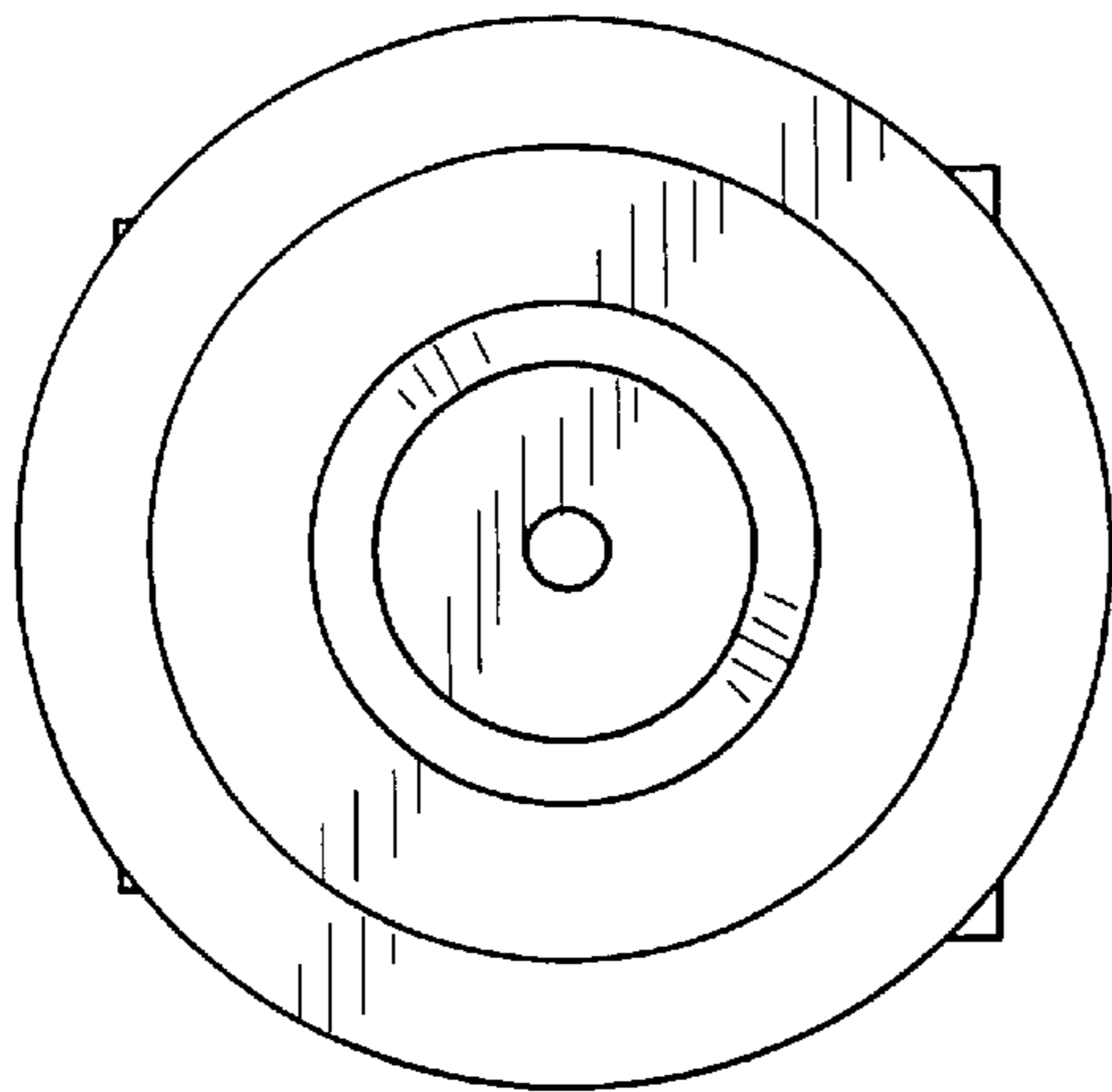


Fig. 2

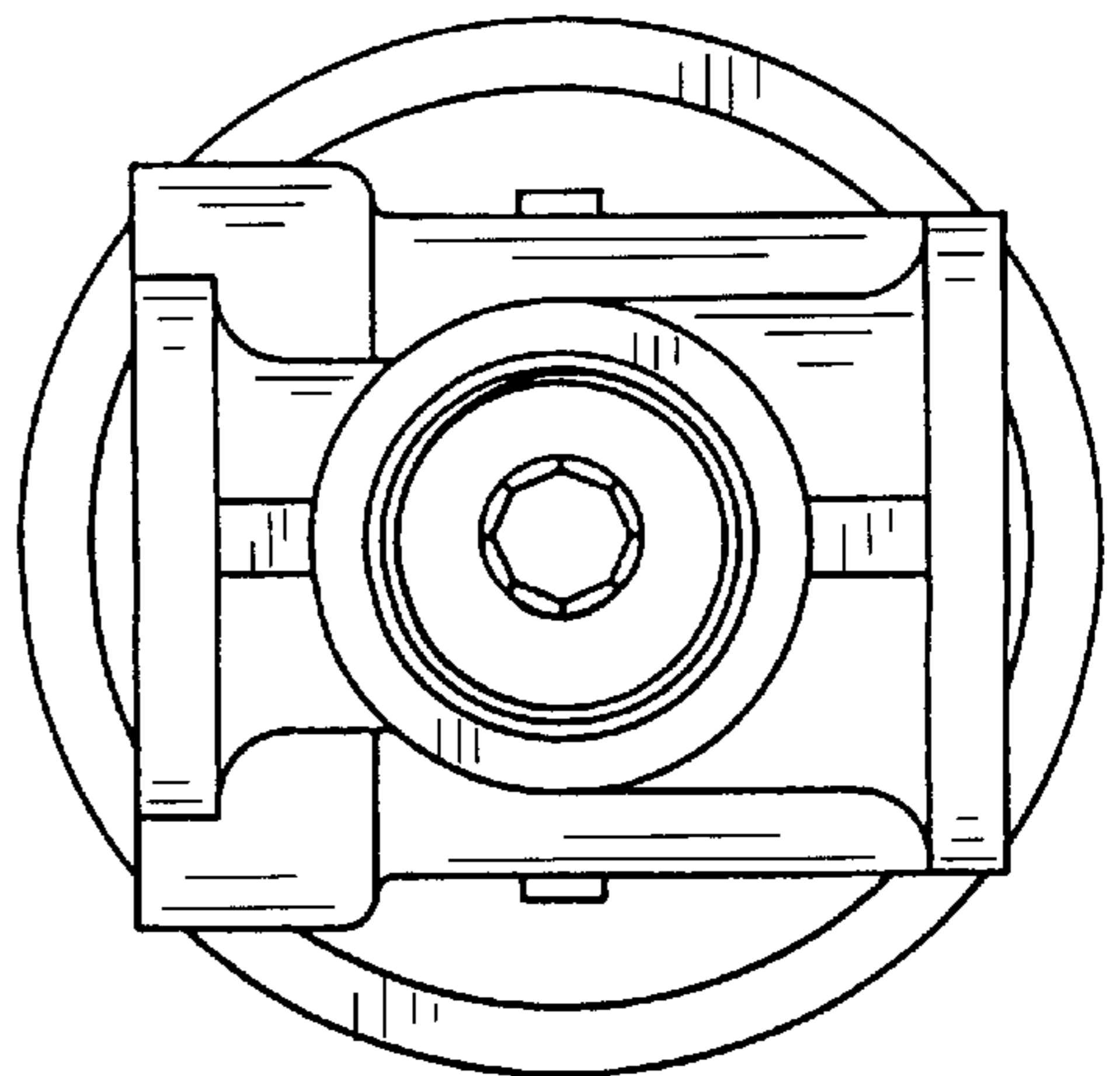


Fig. 5

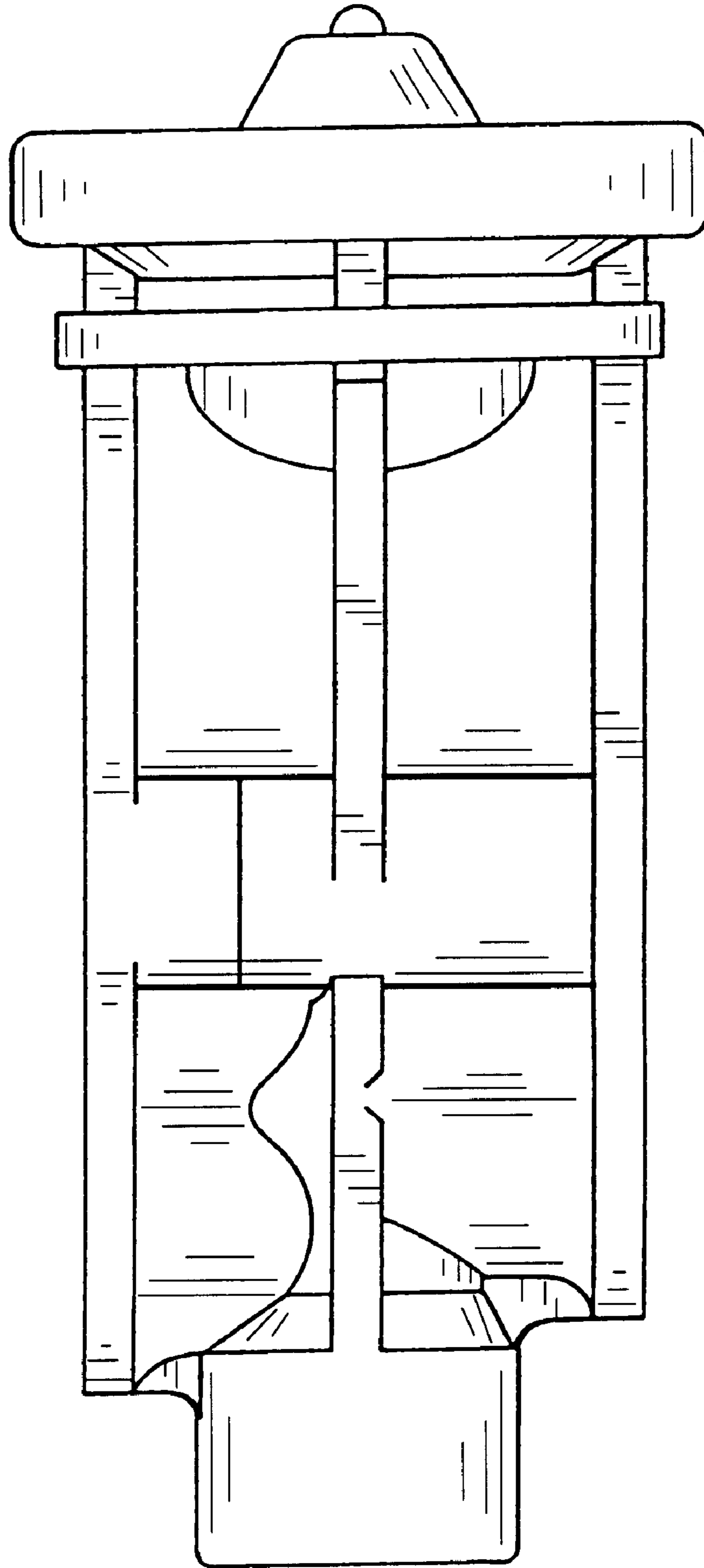


Fig. 6

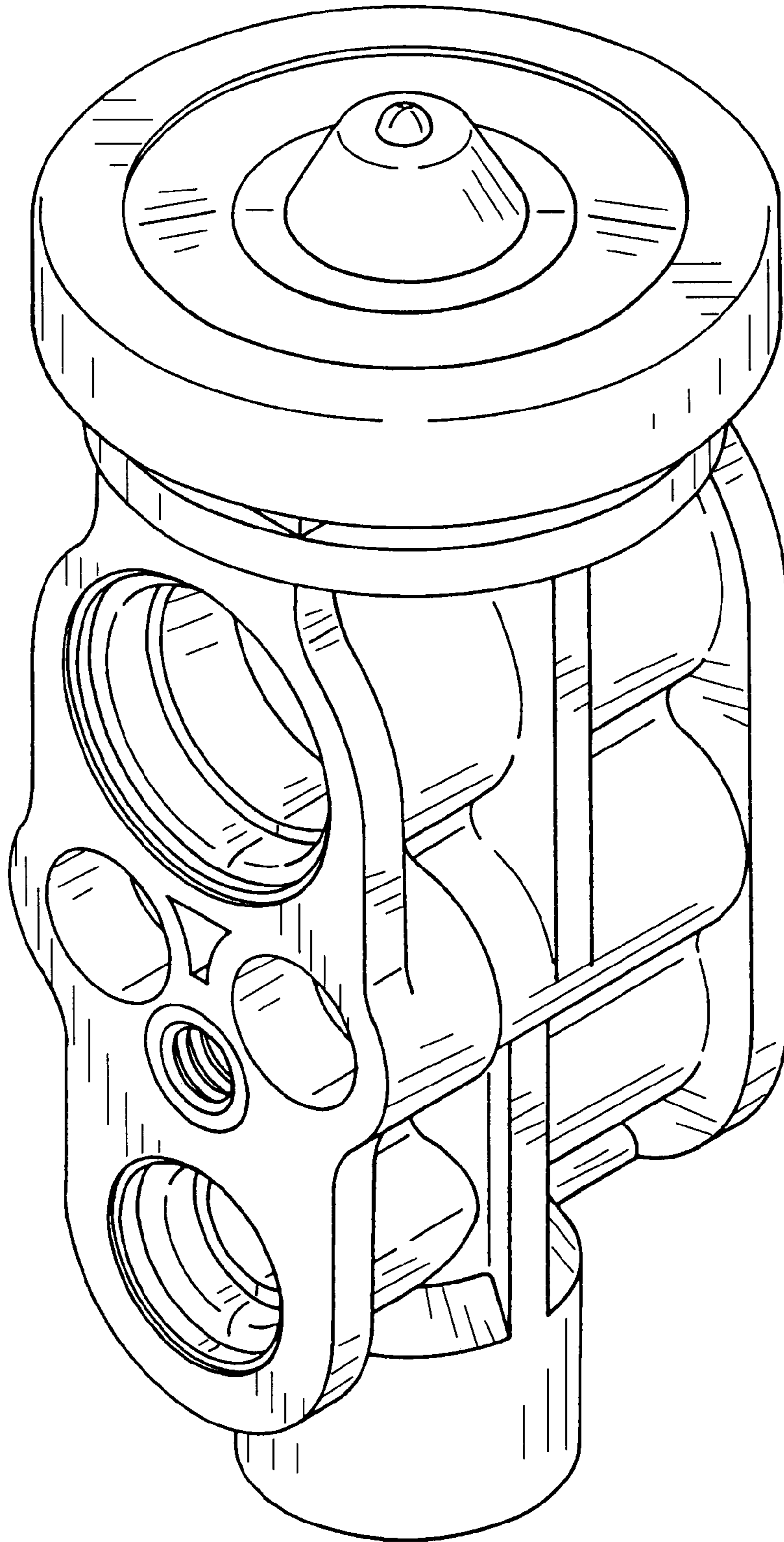


Fig. 10

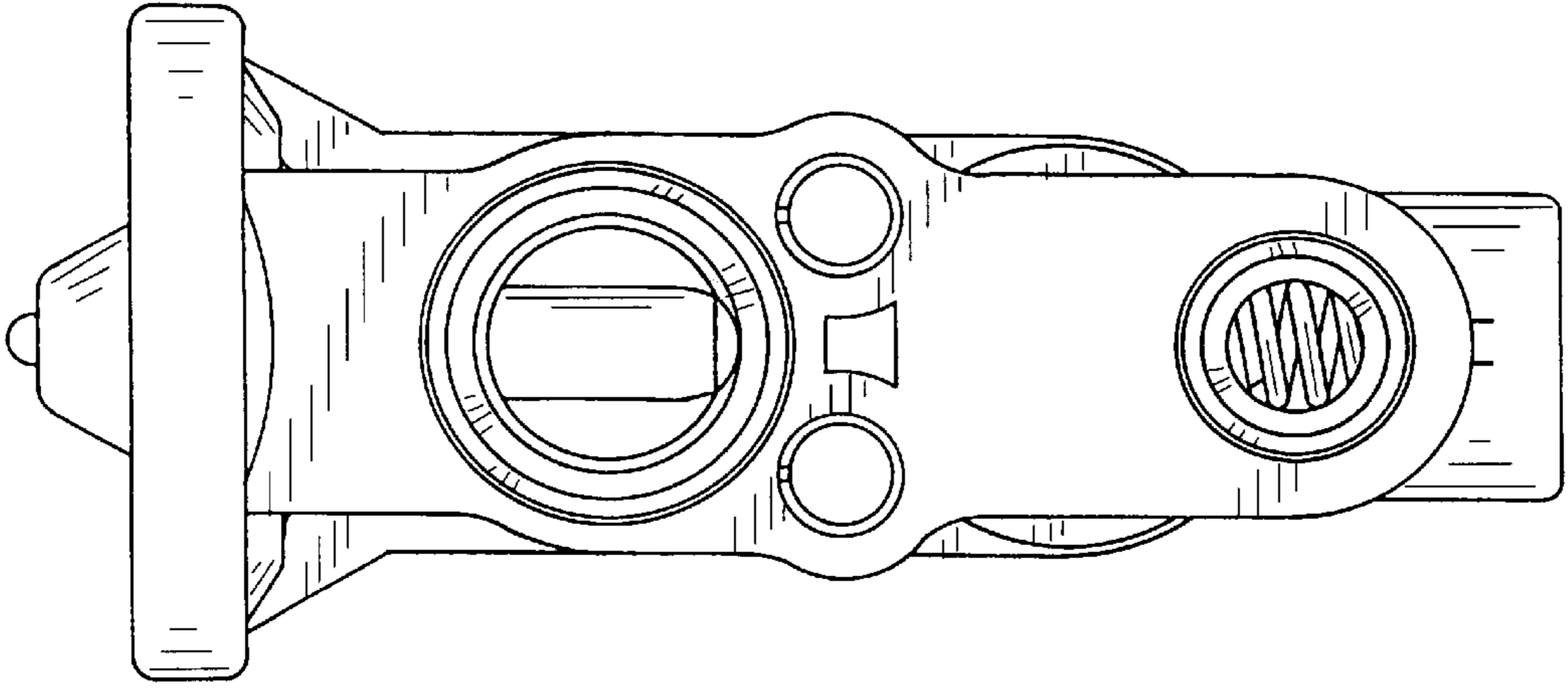


Fig. 9

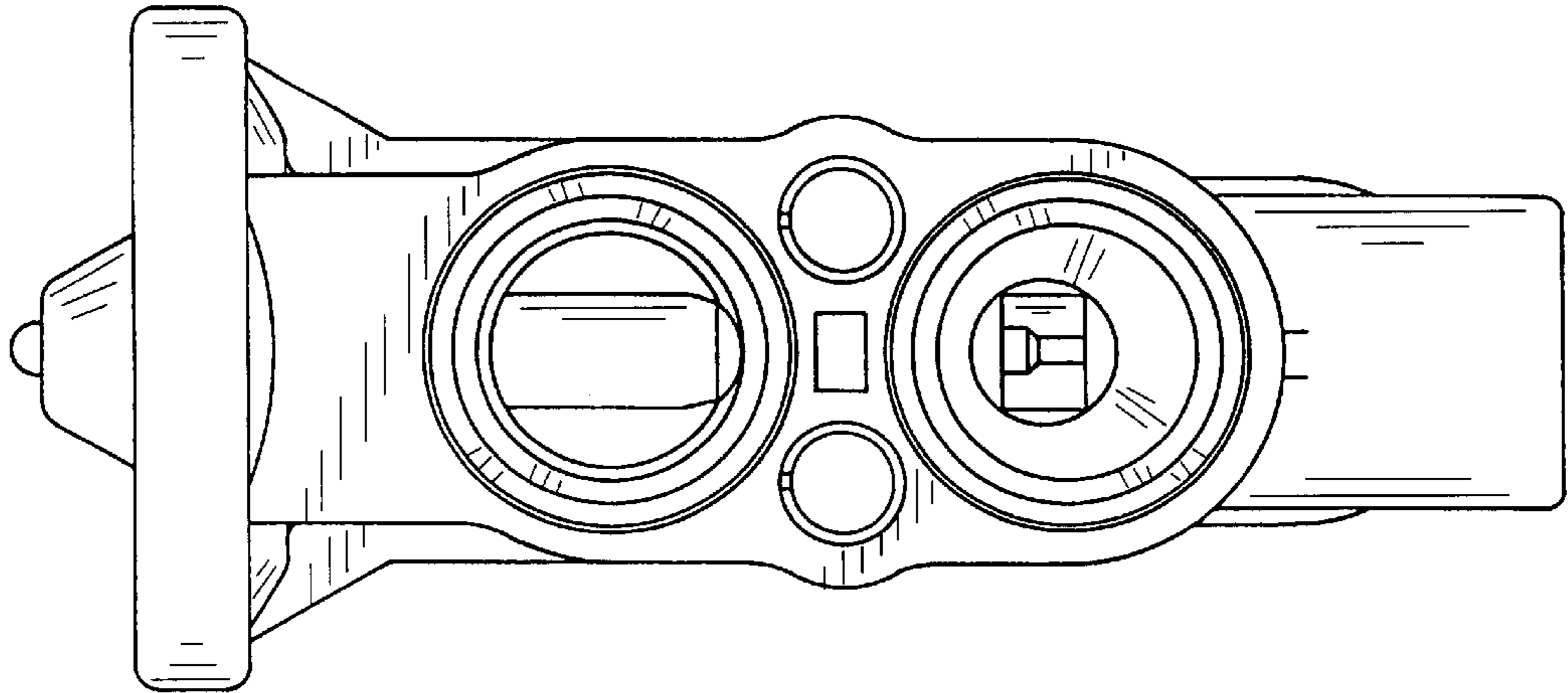


Fig. 7

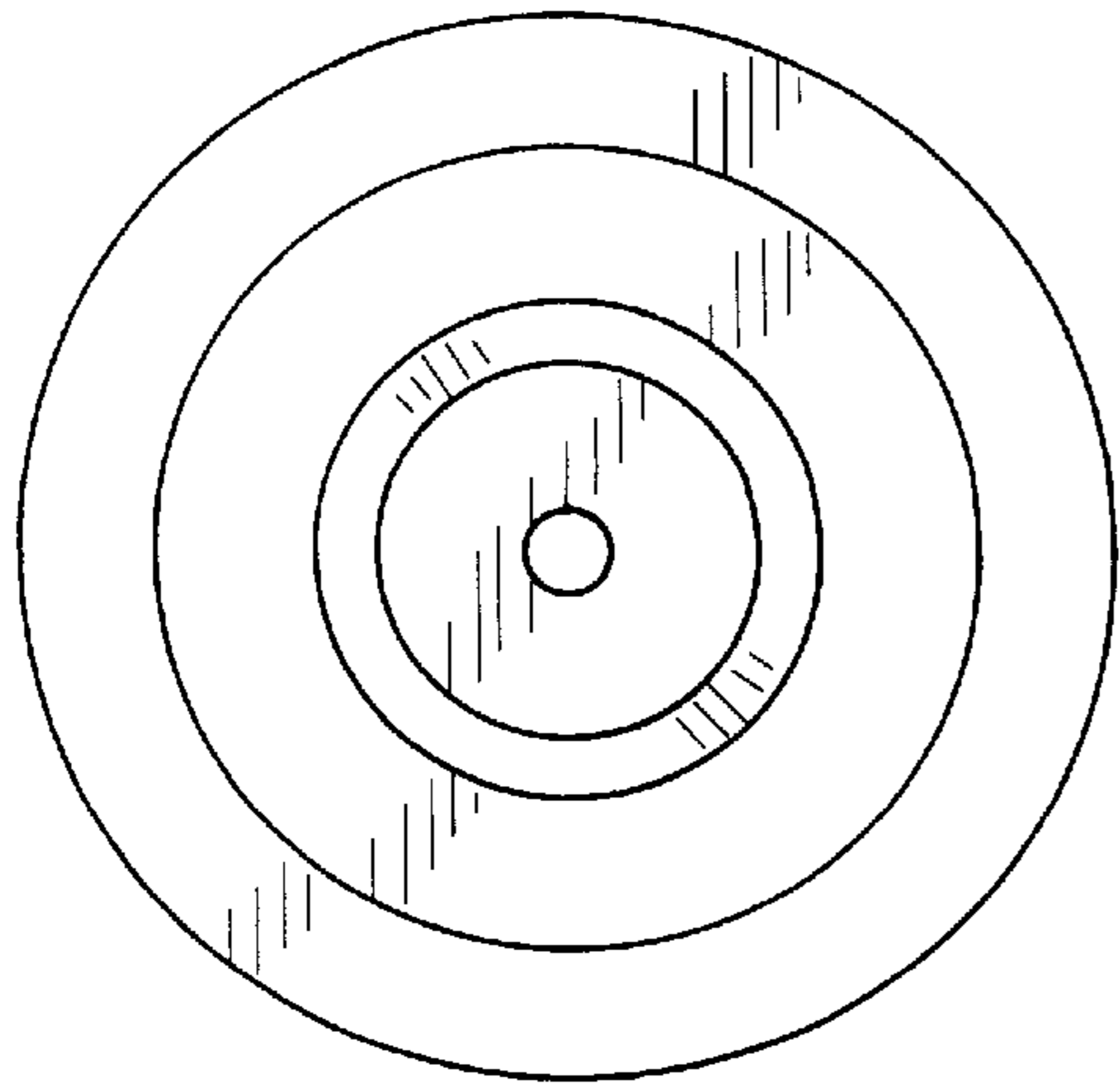


Fig. 8

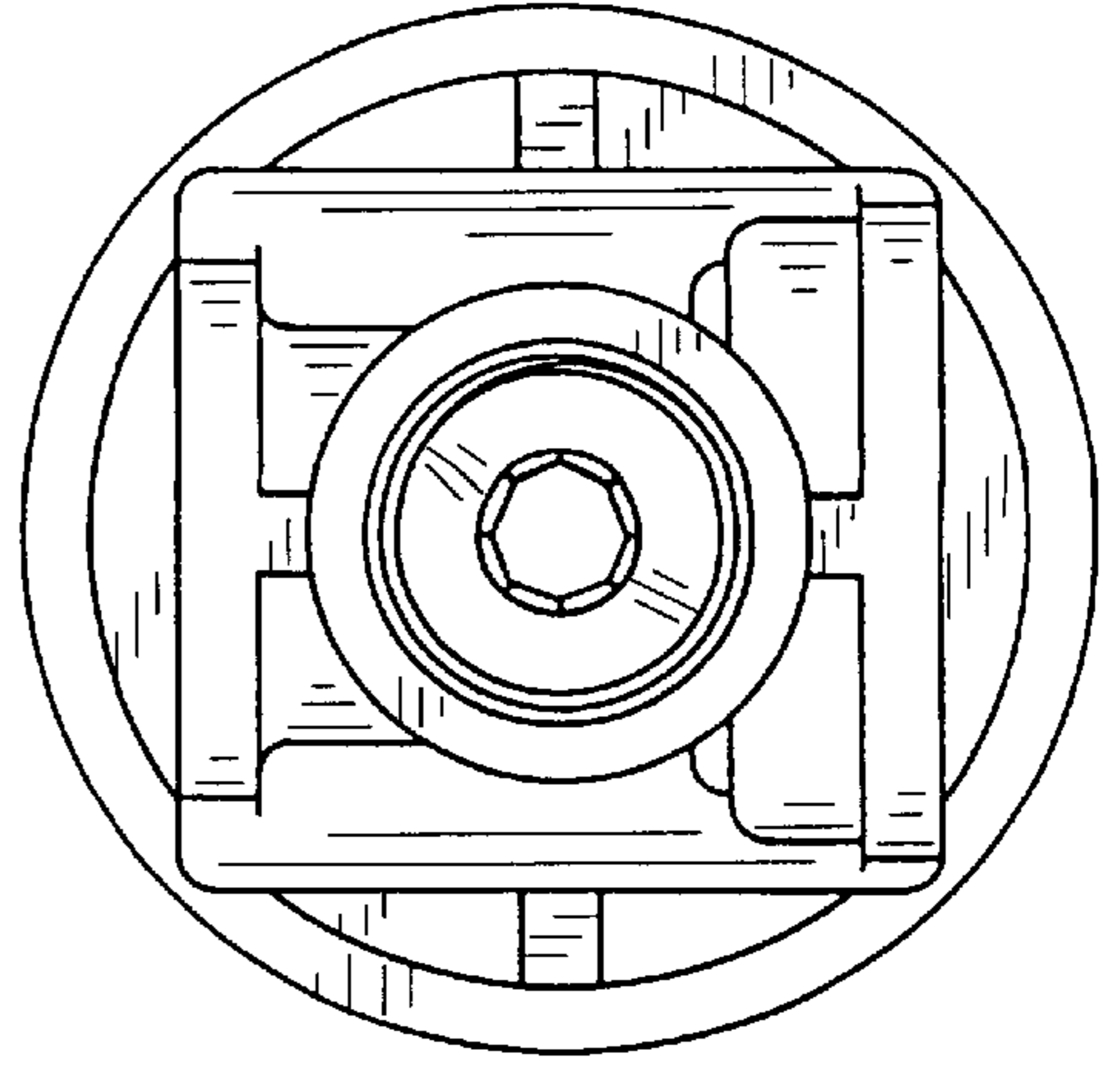


Fig. 11

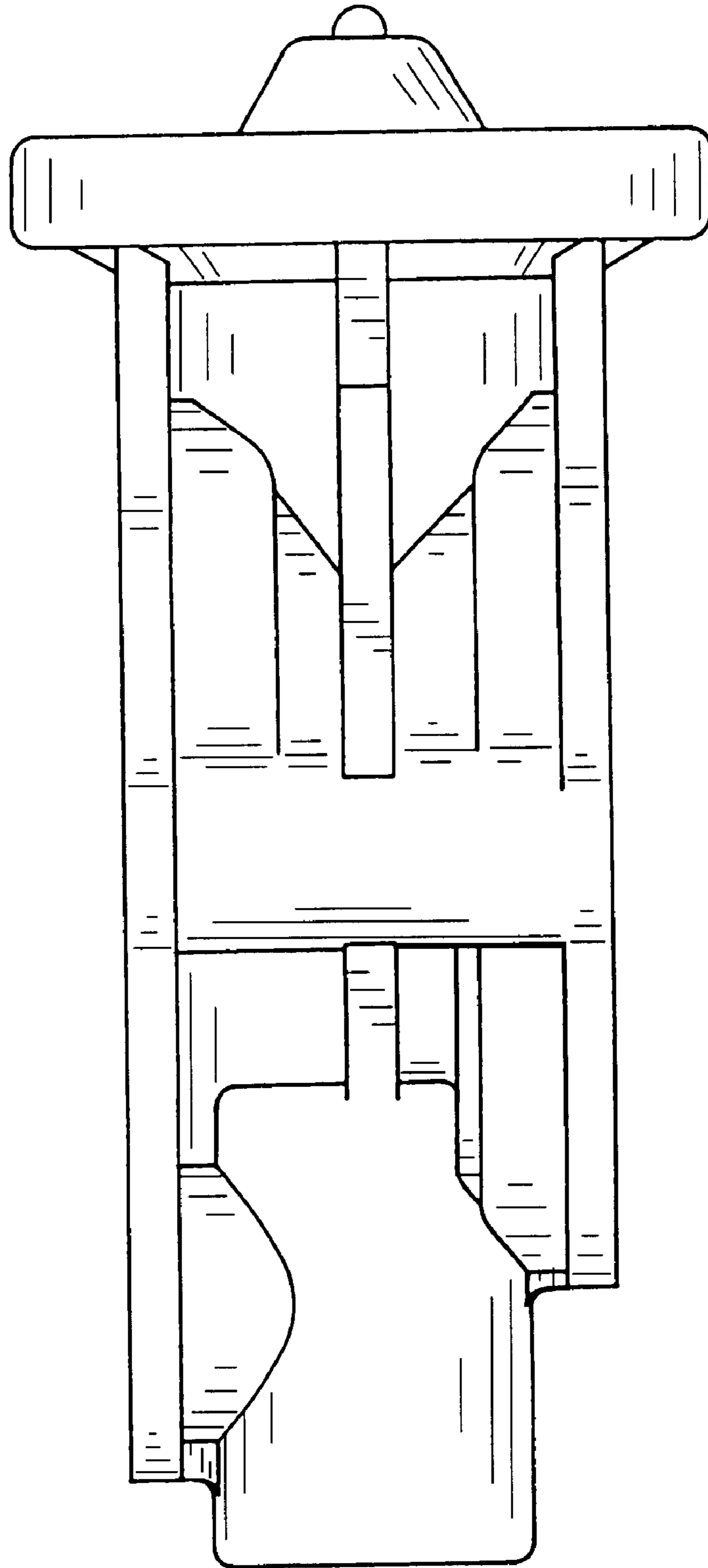


Fig. 12

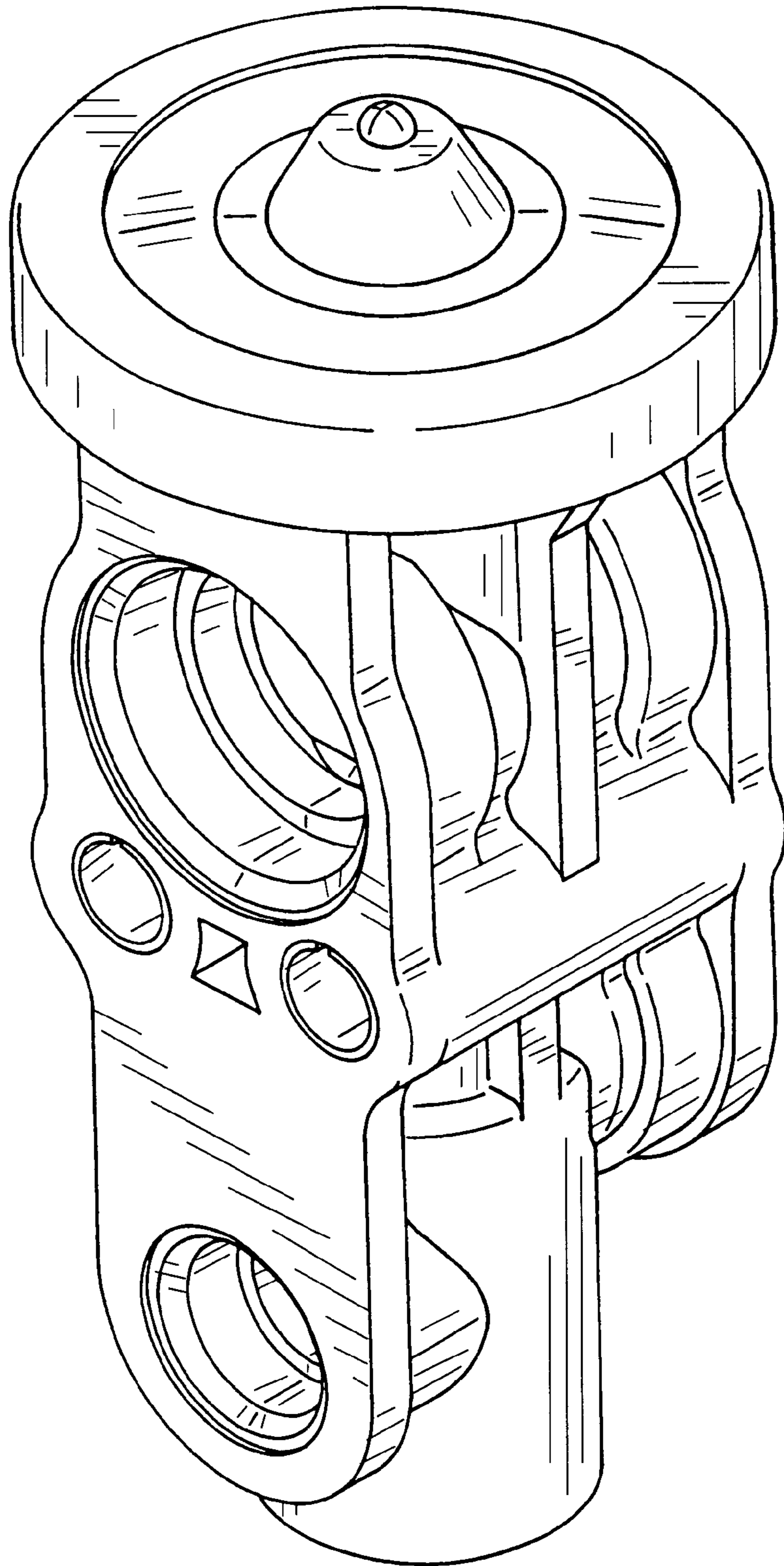


Fig. 16

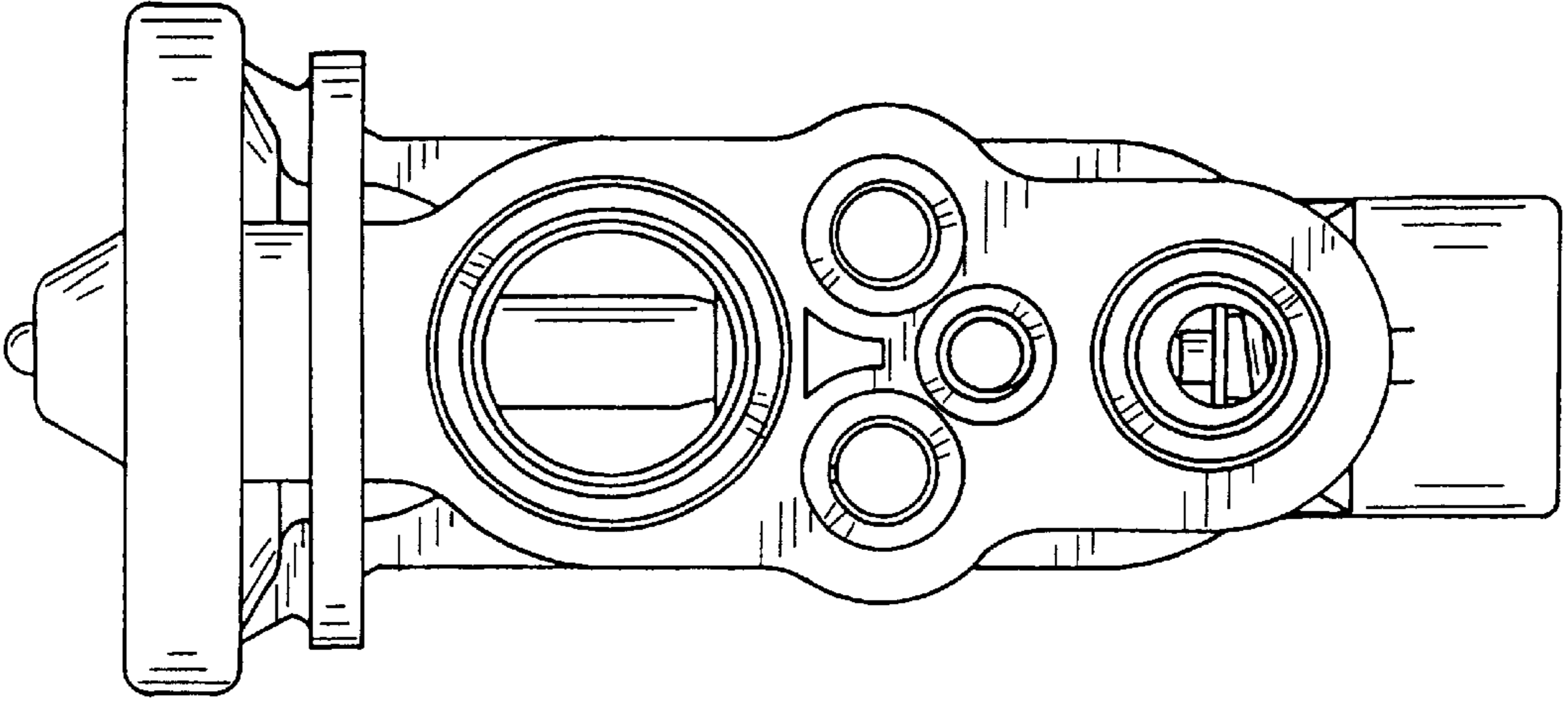


Fig. 15

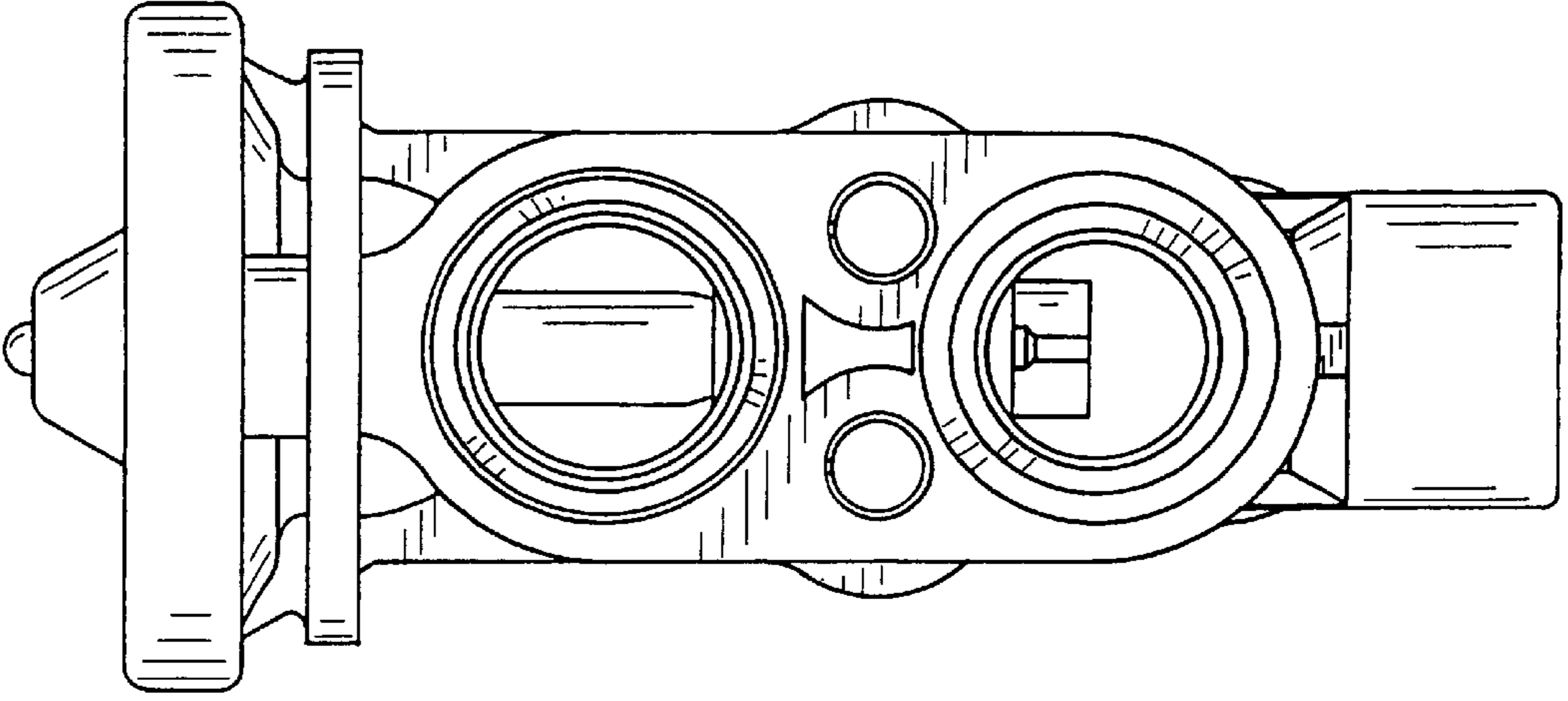


Fig. 13

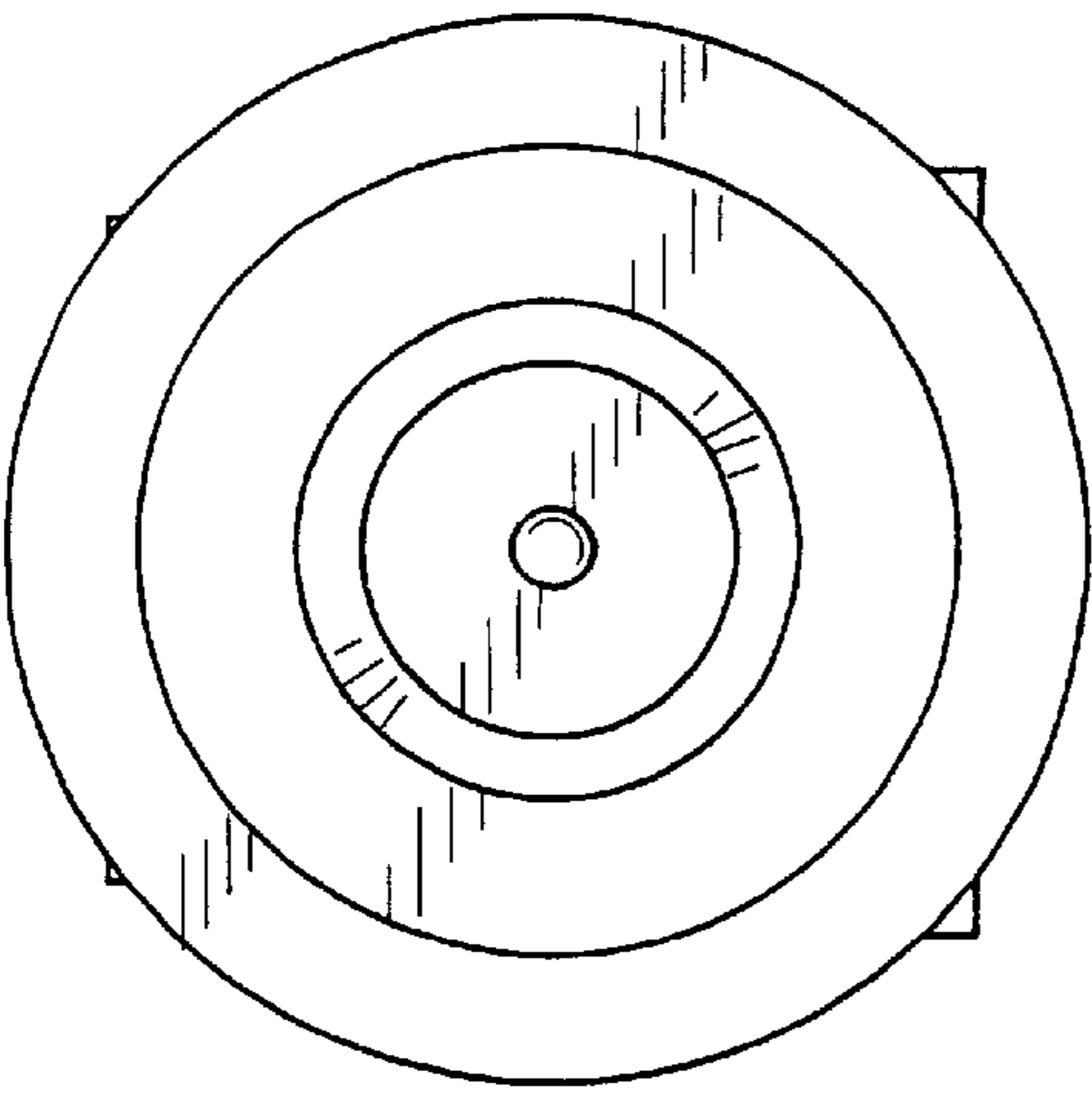


Fig. 14

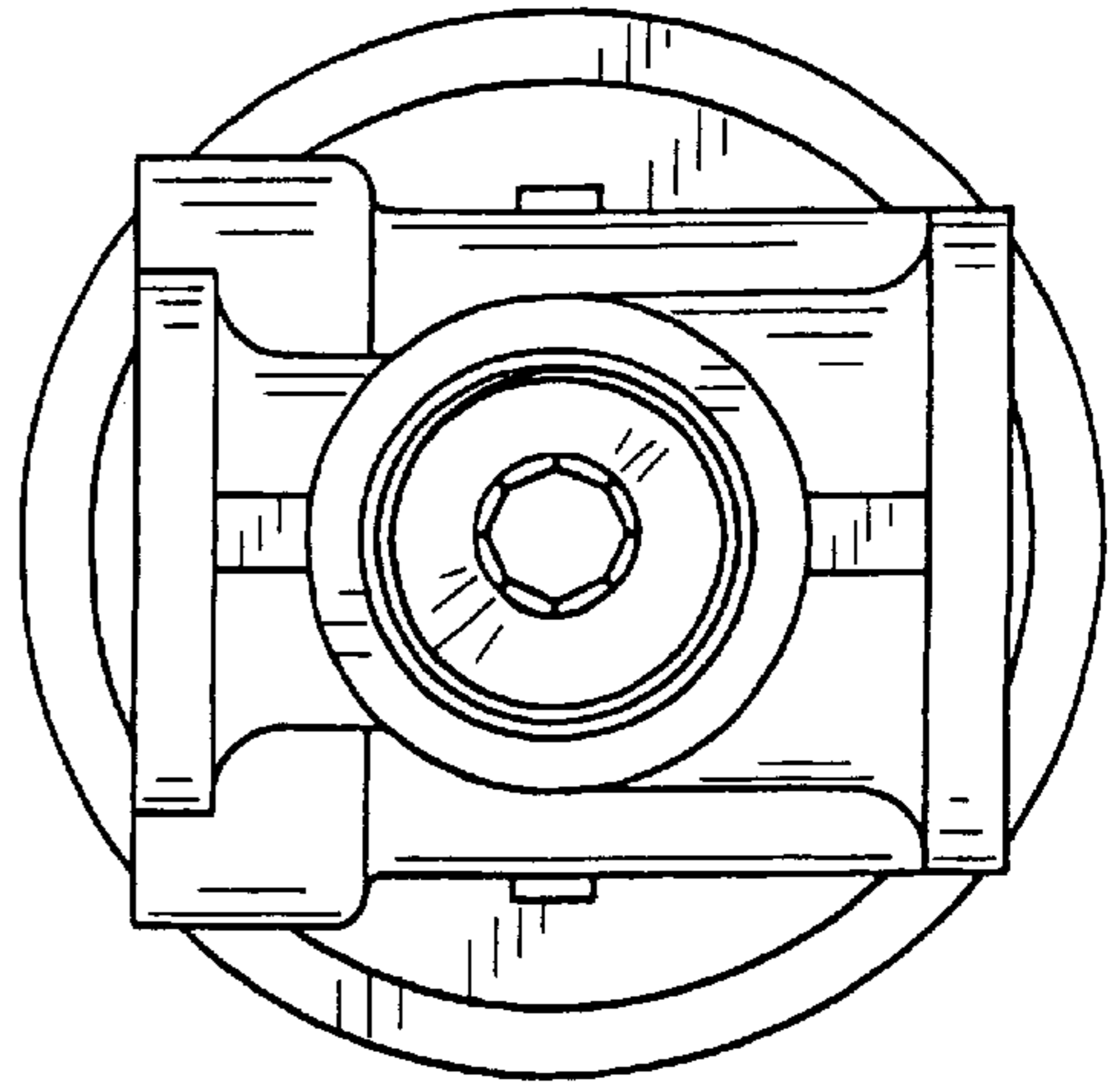


Fig. 17

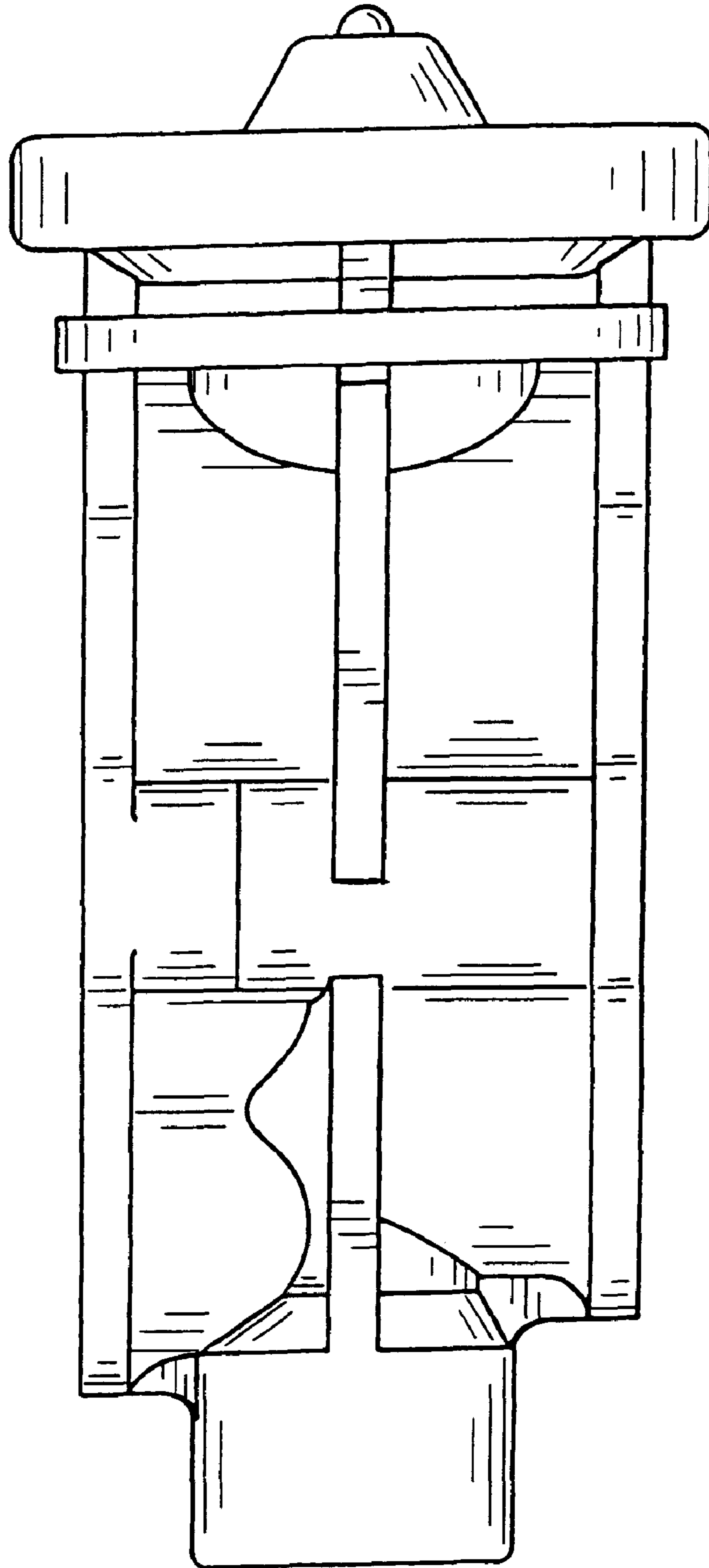


Fig. 18

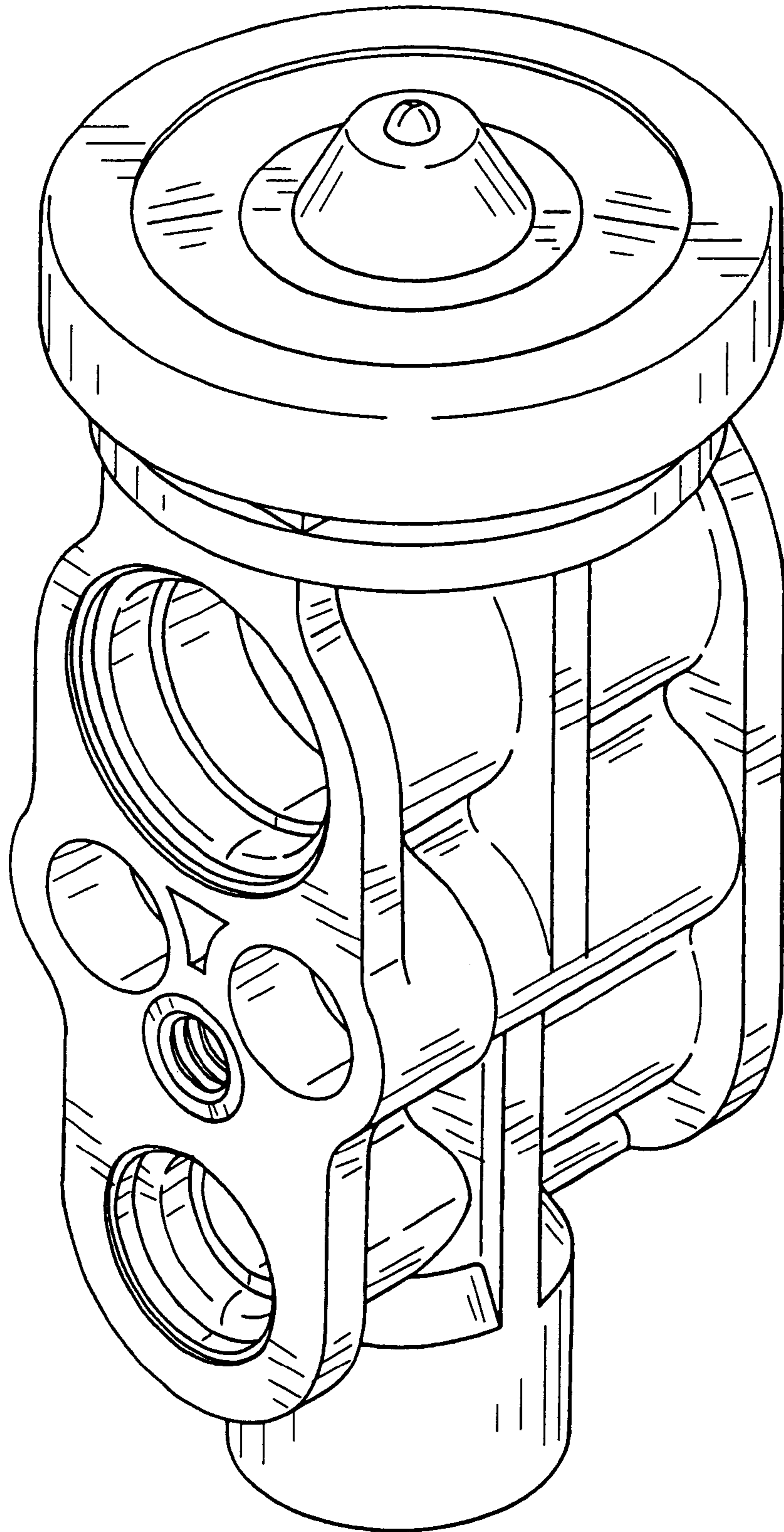


Fig. 22

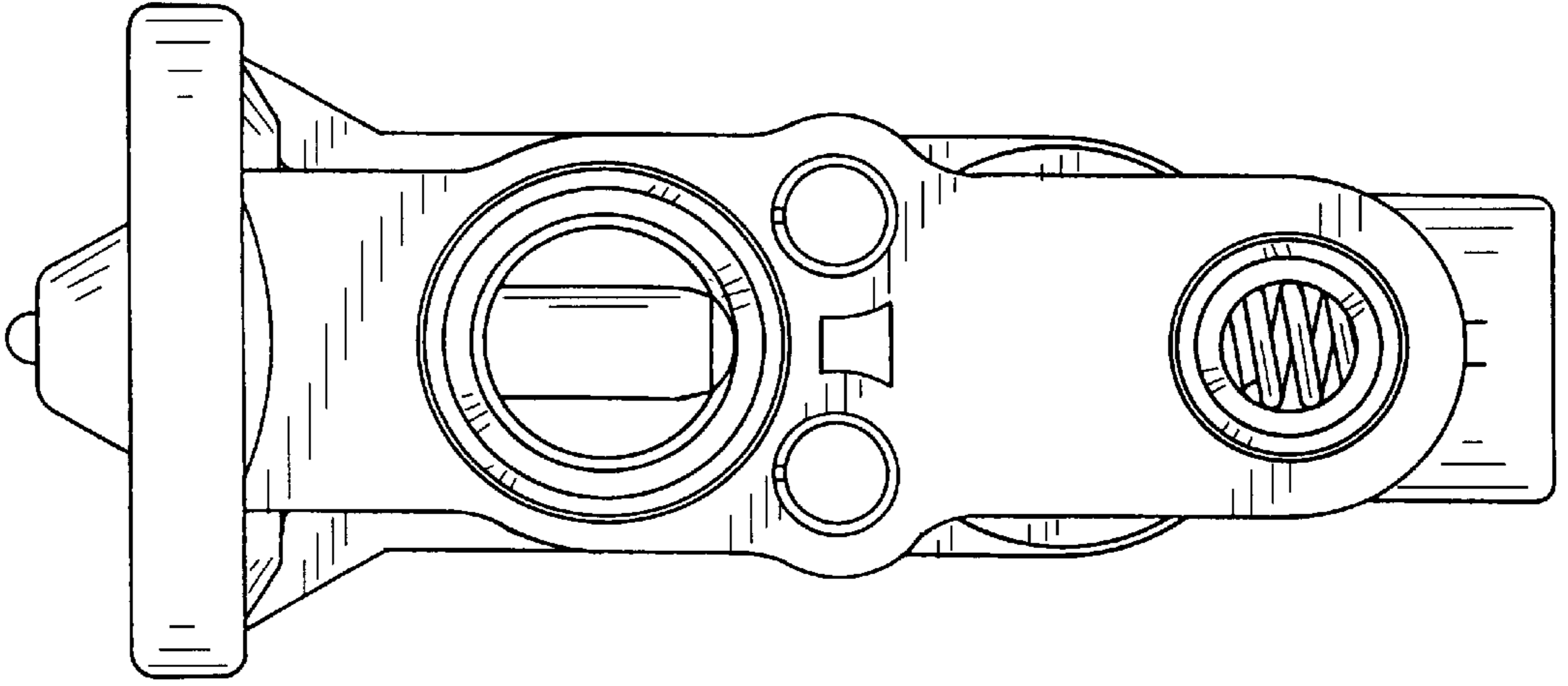


Fig. 21

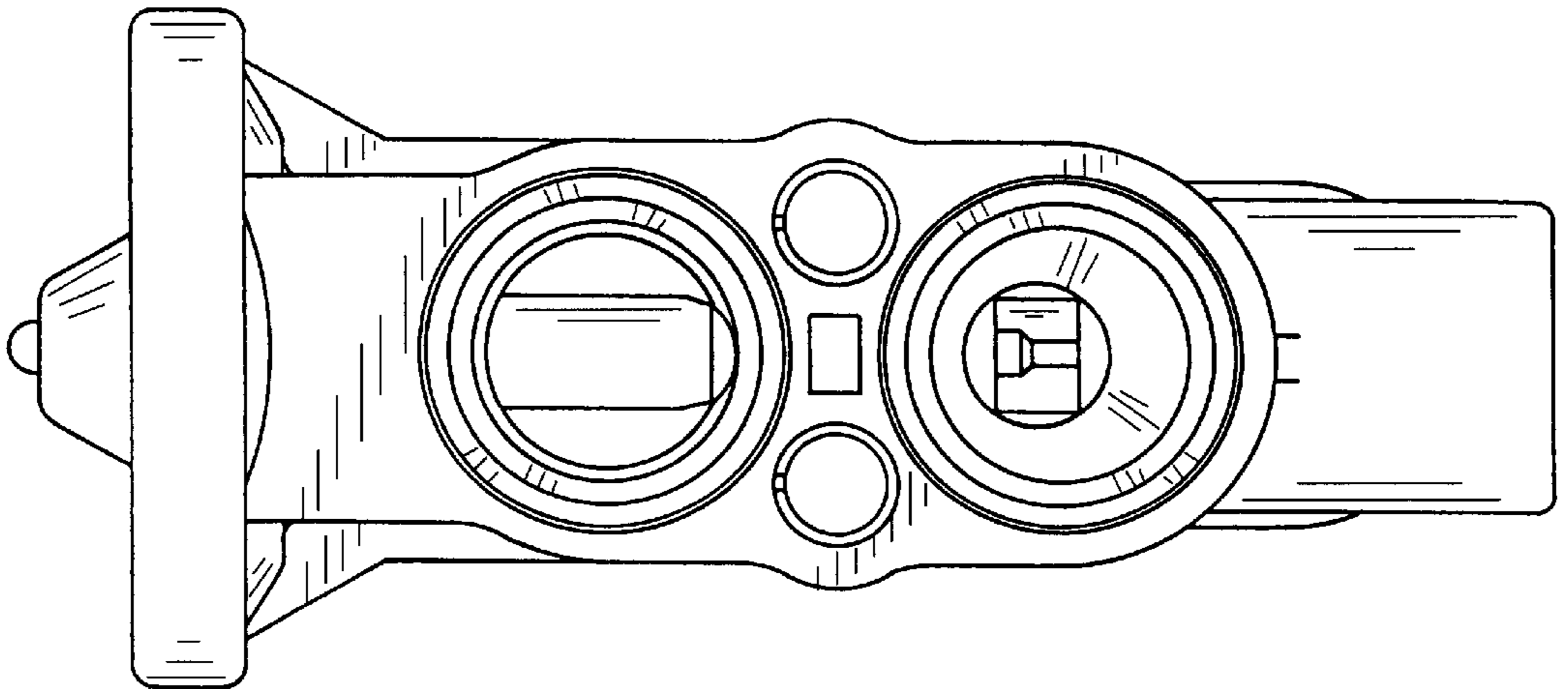


Fig. 19

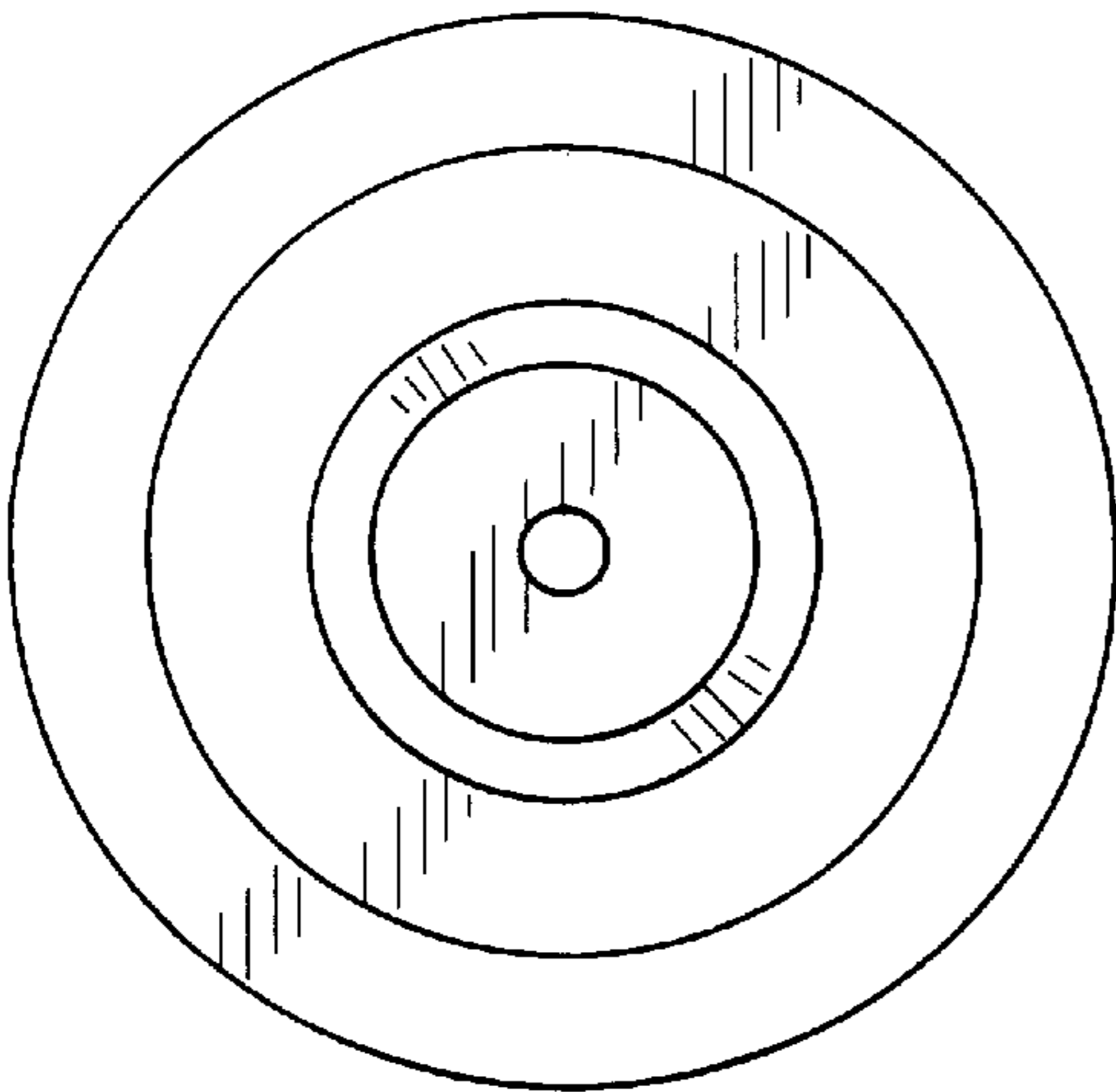


Fig. 20

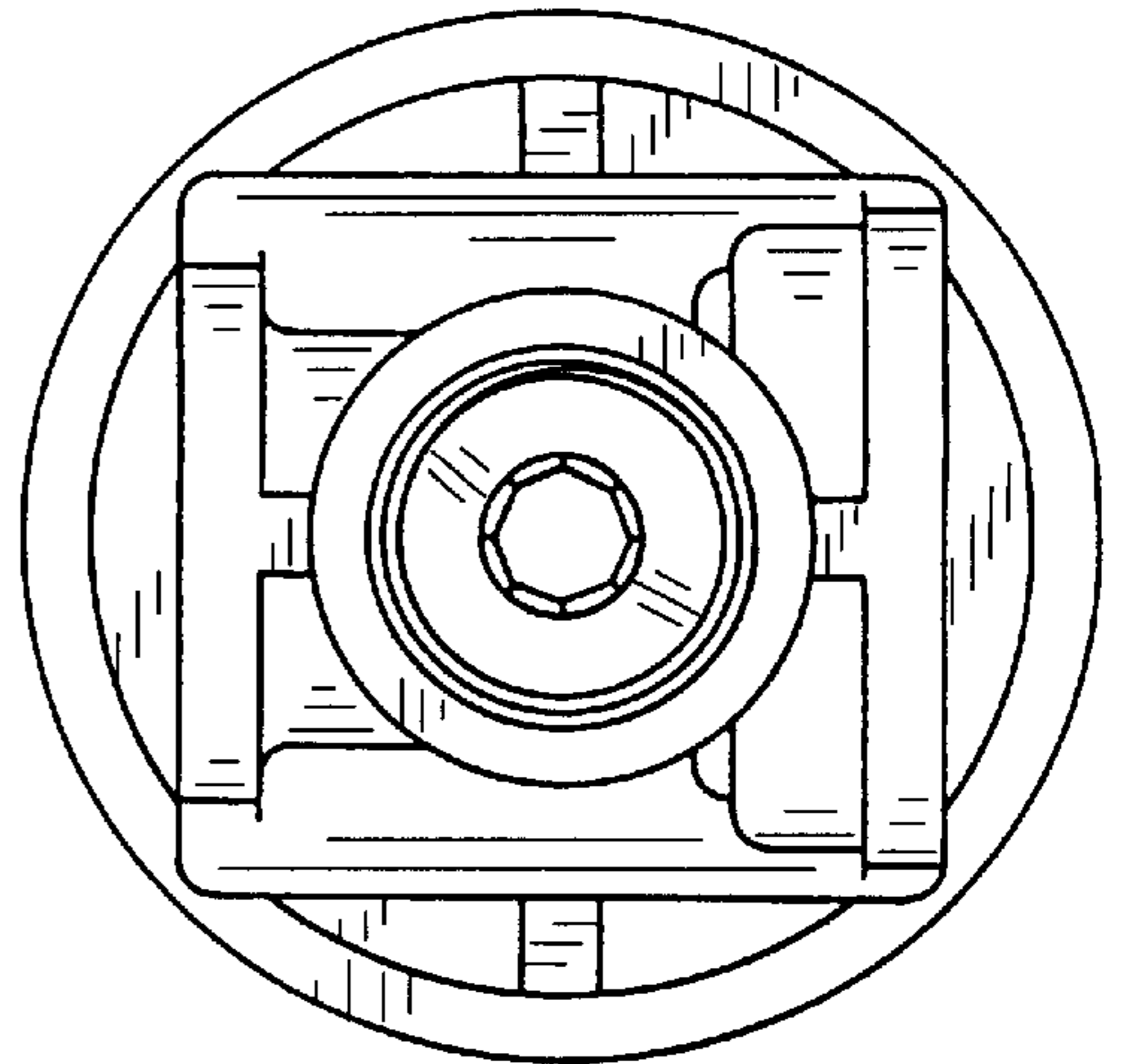


Fig. 23

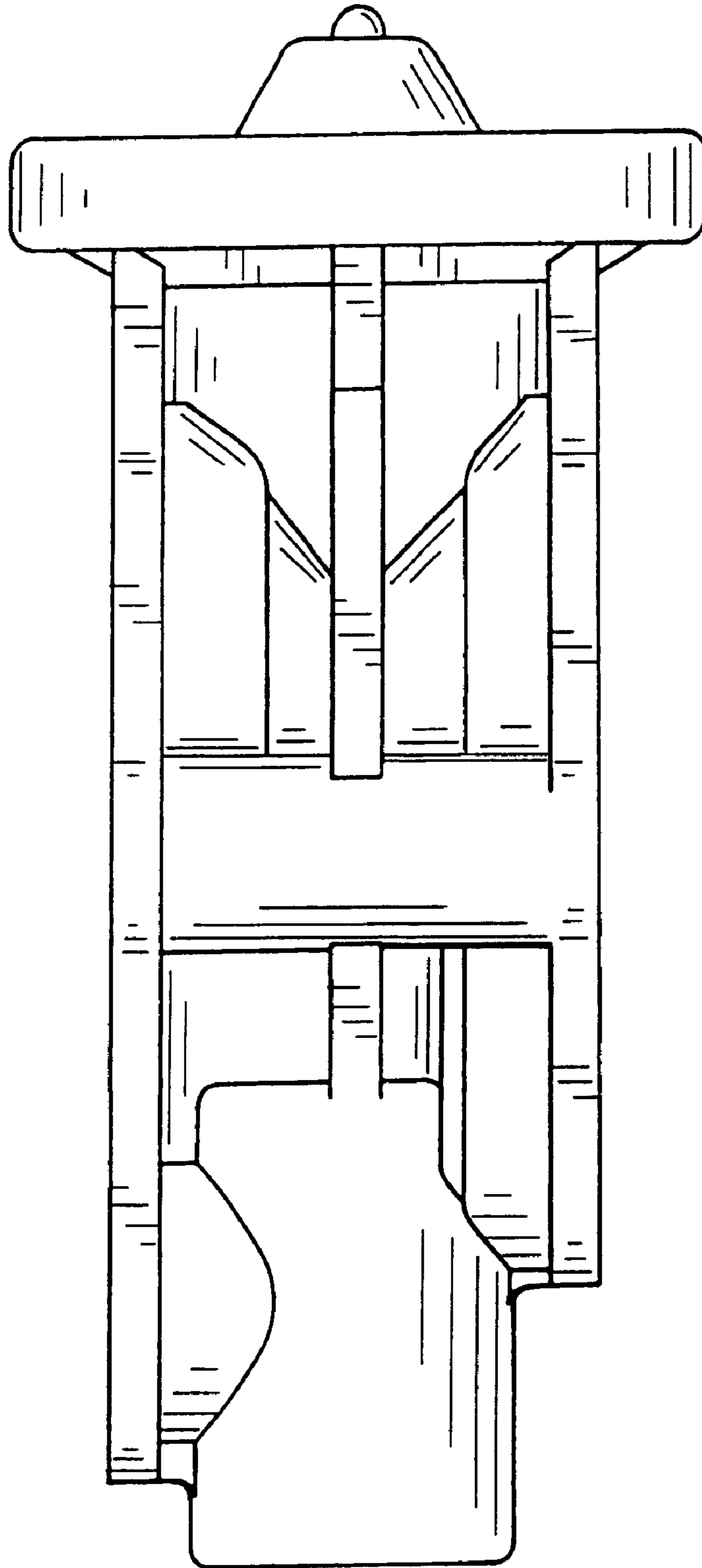


Fig. 24

