



US00D429314S

United States Patent [19]

[11] **Patent Number: Des. 429,314**

Bower et al.

[45] **Date of Patent: ** Aug. 8, 2000**

[54] **PAINT SPRAYER**

Primary Examiner—Robin V. Taylor
Attorney, Agent, or Firm—Jones, Day, Reavis & Pogue

[75] Inventors: **Robert M. Bower**, Mt. Juliet; **James R. England**, Nashville, both of Tenn.

[57] **CLAIM**

[73] Assignee: **Campbell Hausfeld/Scott Fetzer Company**, Harrison, Ohio

We claim the ornamental design of a paint sprayer, as shown and described.

[**] Term: **14 Years**

DESCRIPTION

[21] Appl. No.: **29/109,631**

FIG. 1 is an isometric view, taken from the front, of a paint sprayer embodying the ornamental design of the present invention;

[22] Filed: **Aug. 19, 1999**

FIG. 2 is an isometric view, taken from the rear, of the paint sprayer of FIG. 2;

[51] **LOC (7) Cl.** **23-01**

[52] **U.S. Cl.** **D23/225**

[58] **Field of Search** D23/213, 225;
D34/14, 24; 239/308, 146-7, 722; 222/608, 610; 401/195-6; 141/231

FIG. 3 is a front view of the paint sprayer of FIG. 1;
FIG. 4 is an right side view of the paint sprayer of FIG. 1;
FIG. 5 is a left side view of the paint sprayer of FIG. 1;
FIG. 6 is a rear view of the paint sprayer of FIG. 1;
FIG. 7 is a top view of the paint sprayer of FIG. 1; and,
FIG. 8 is a bottom view of the paint sprayer of FIG. 1.

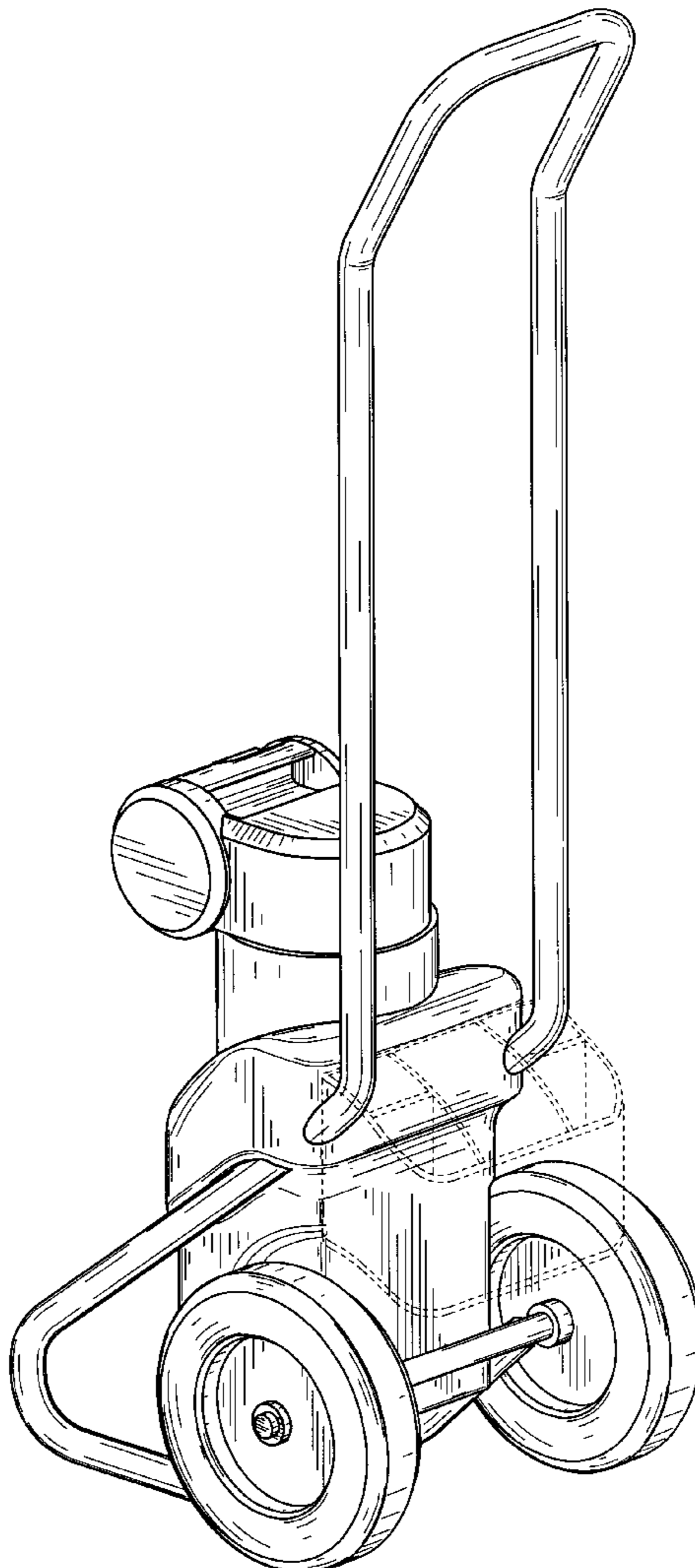
The broken line showings in FIGS. 1-8 are for illustrative purposes only and form no part of the claimed design.

[56] **References Cited**

U.S. PATENT DOCUMENTS

- D. 271,038 10/1983 Anderson et al. D23/213
- D. 306,477 3/1990 Weiss D23/225
- D. 399,031 9/1998 Prosper et al. D34/24

1 Claim, 7 Drawing Sheets



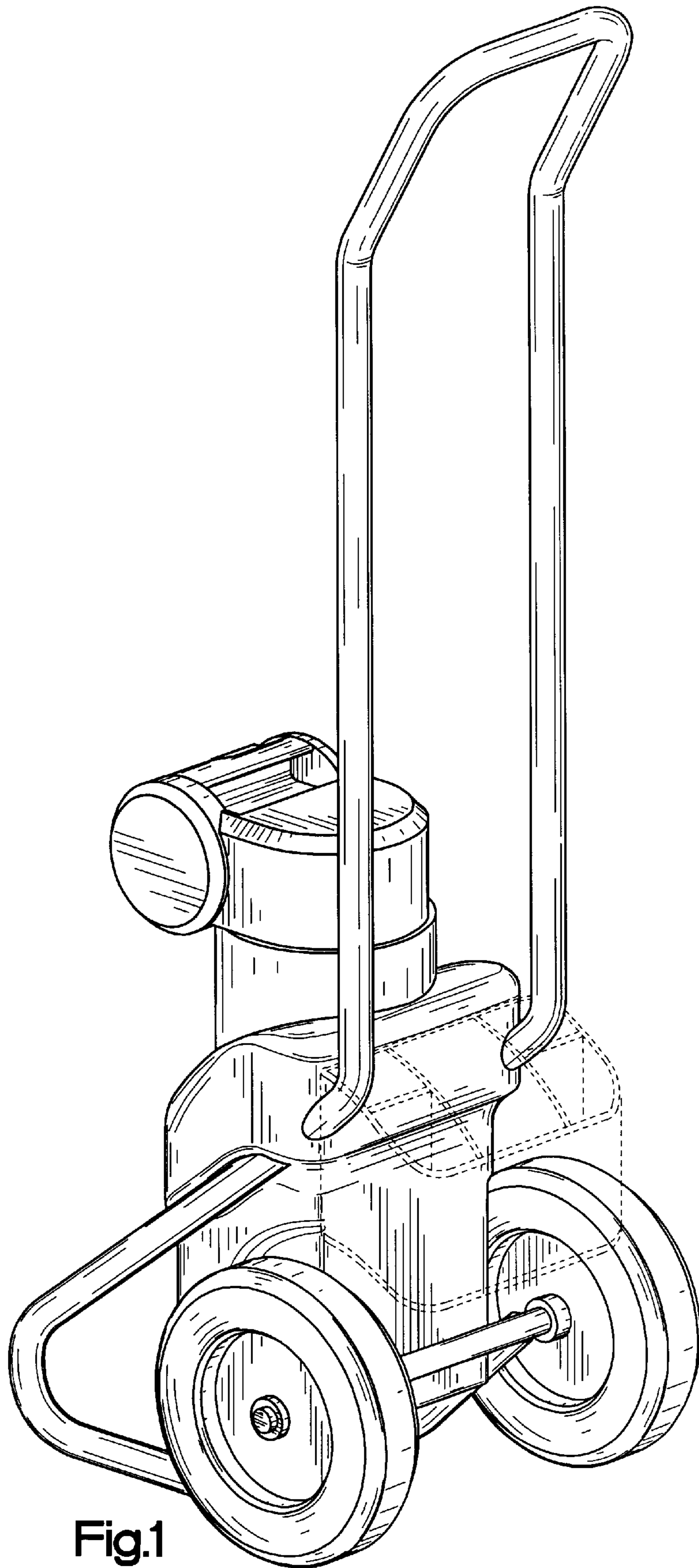


Fig.1

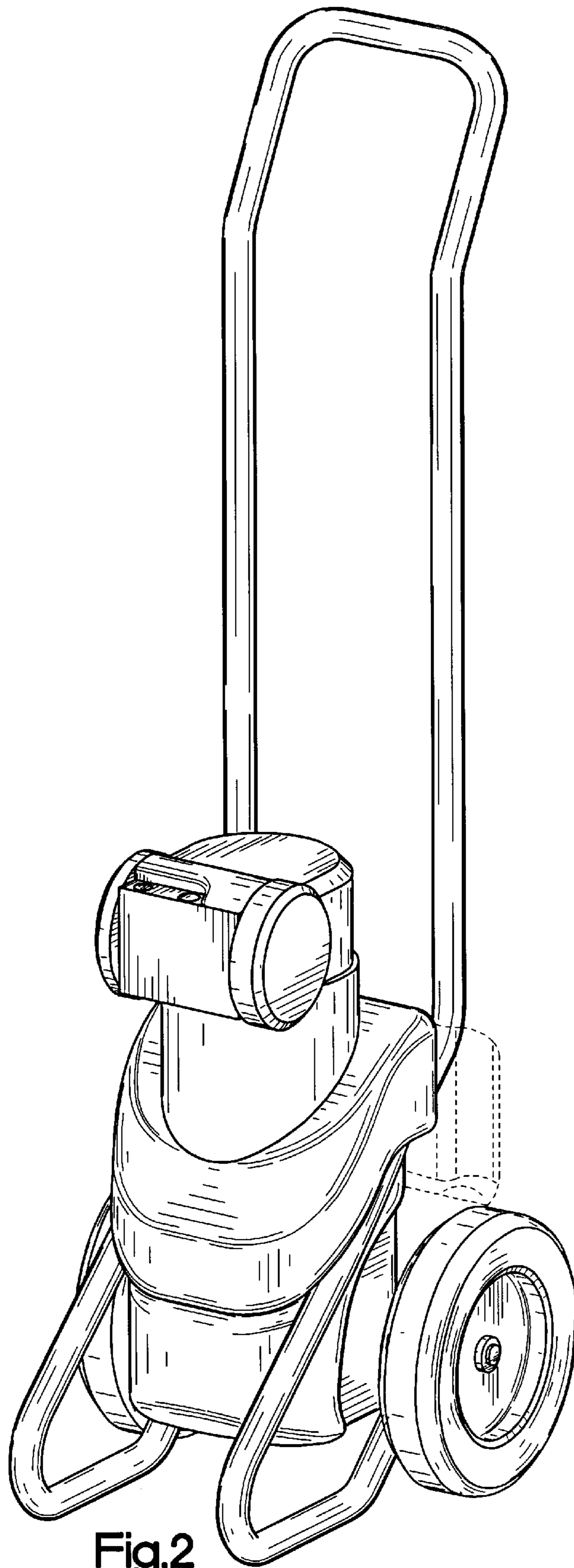


Fig.2

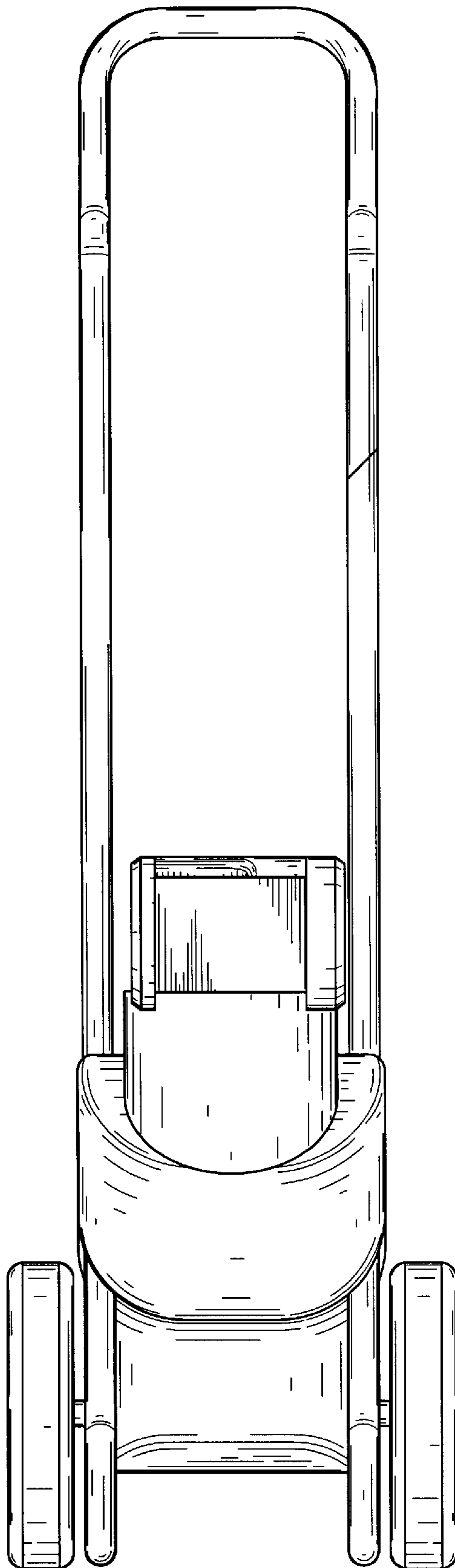


Fig.3

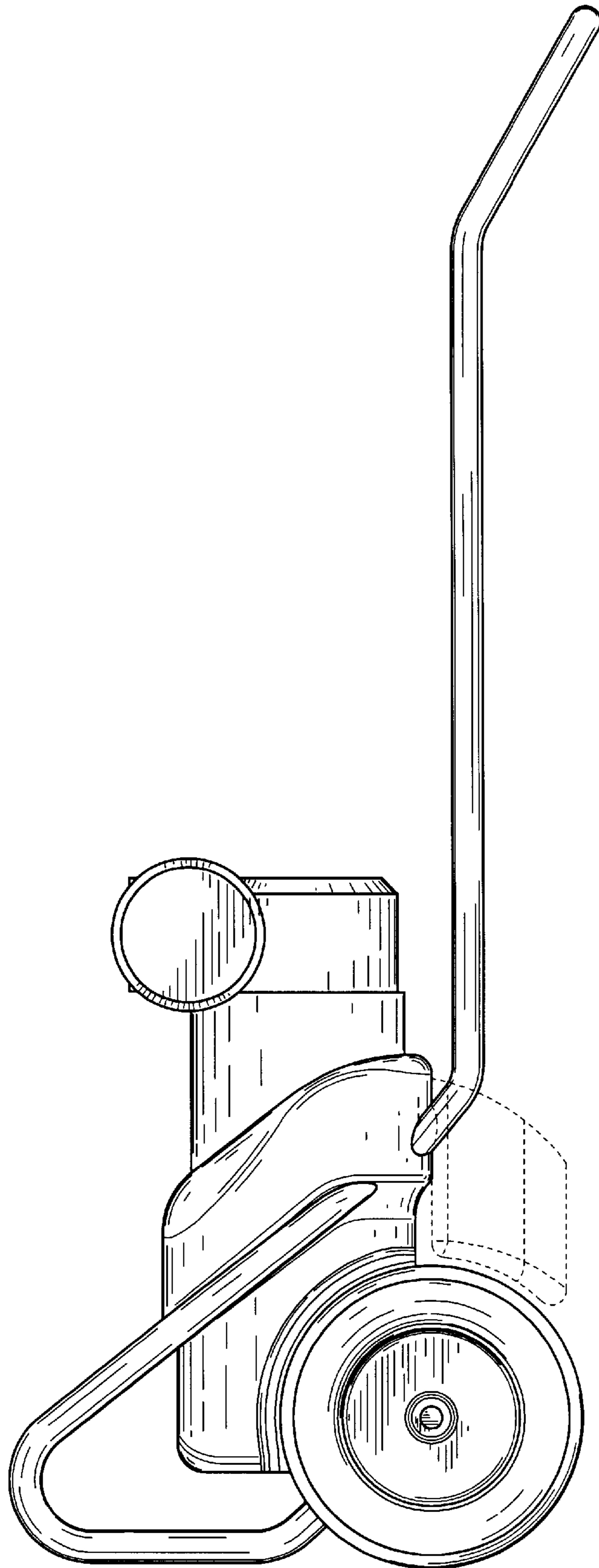


Fig.4

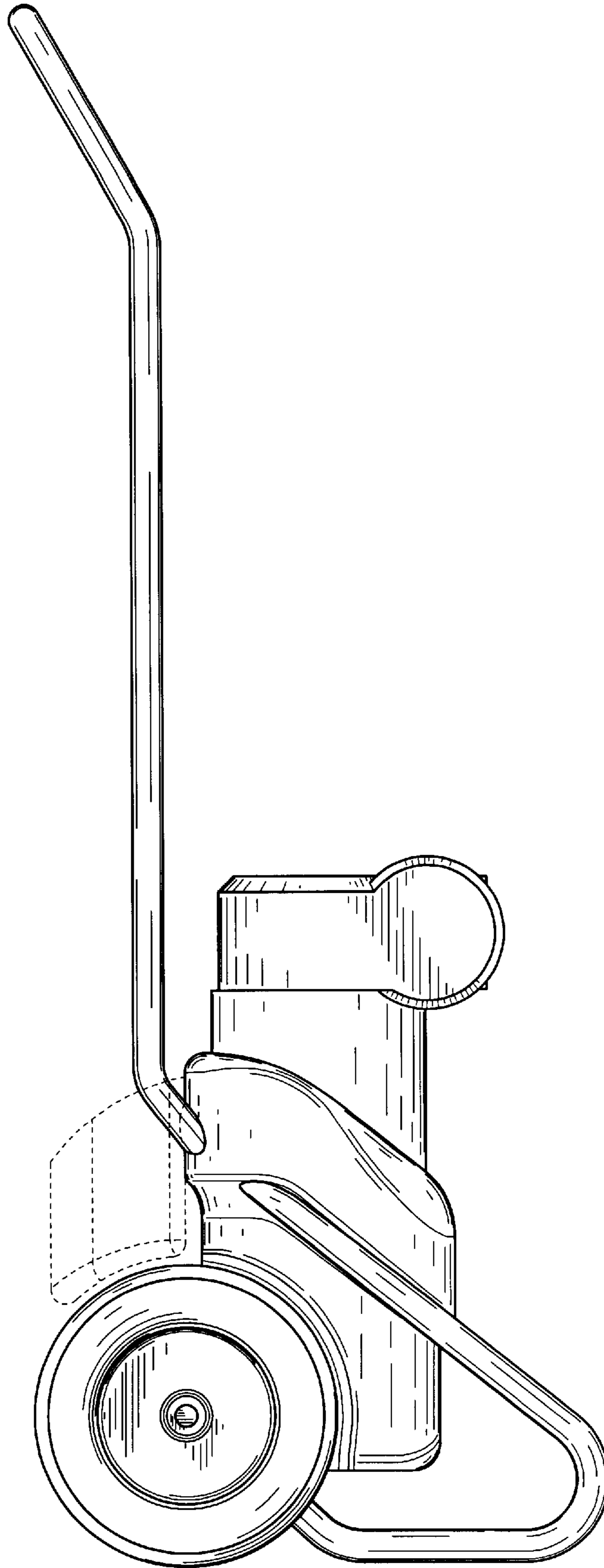


Fig.5

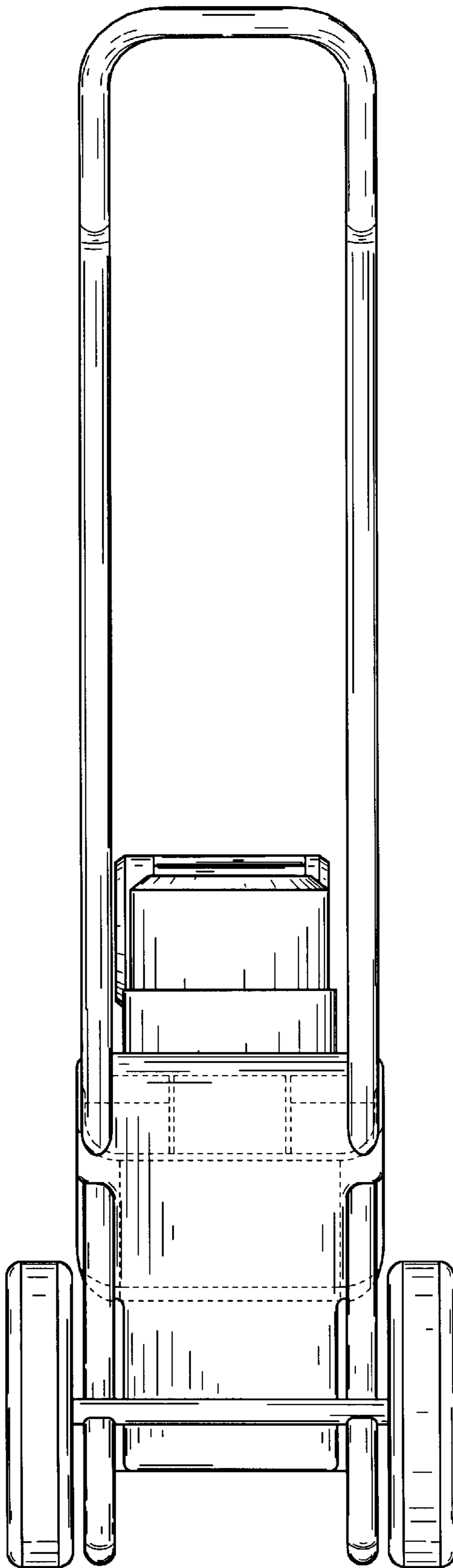


Fig.6

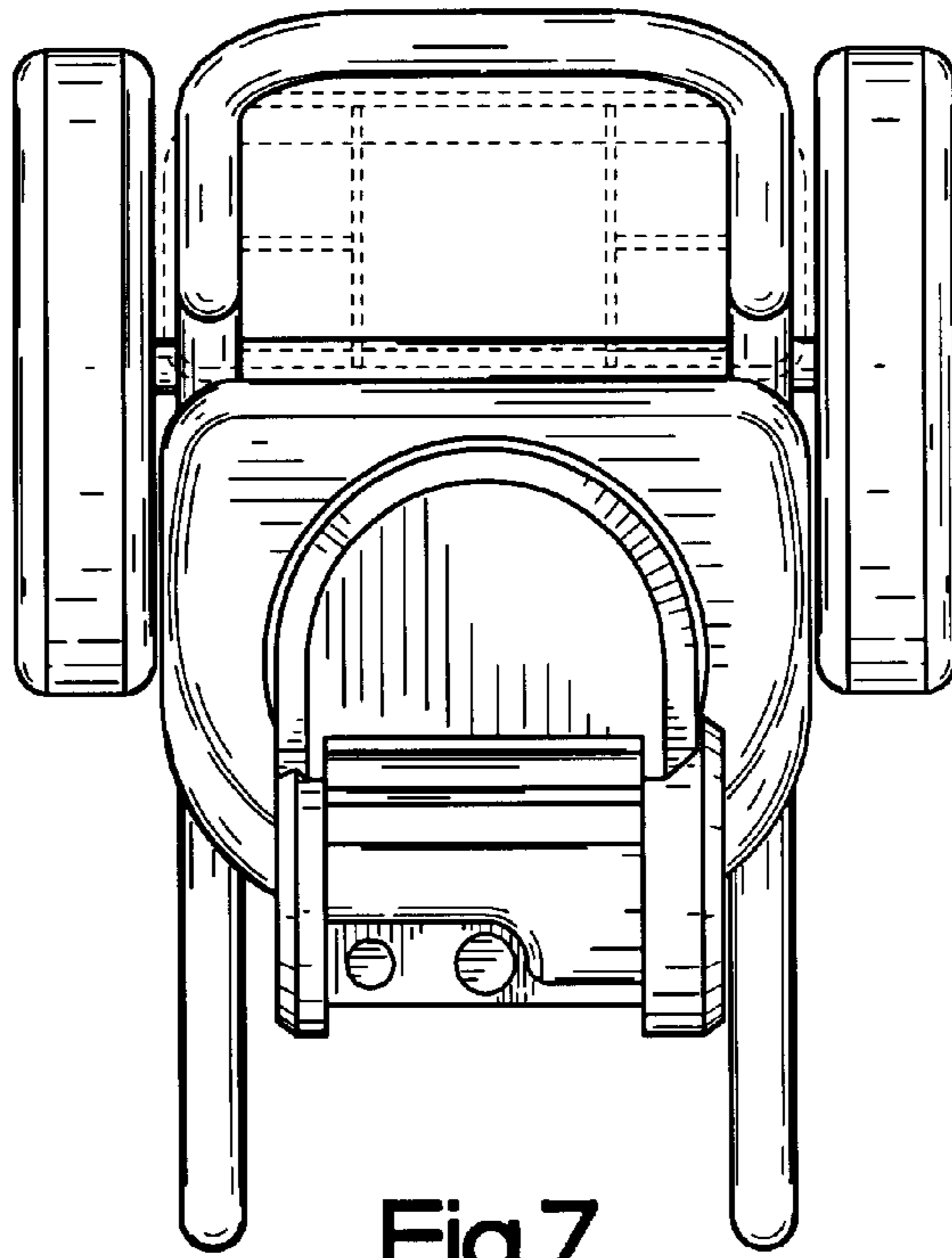


Fig.7

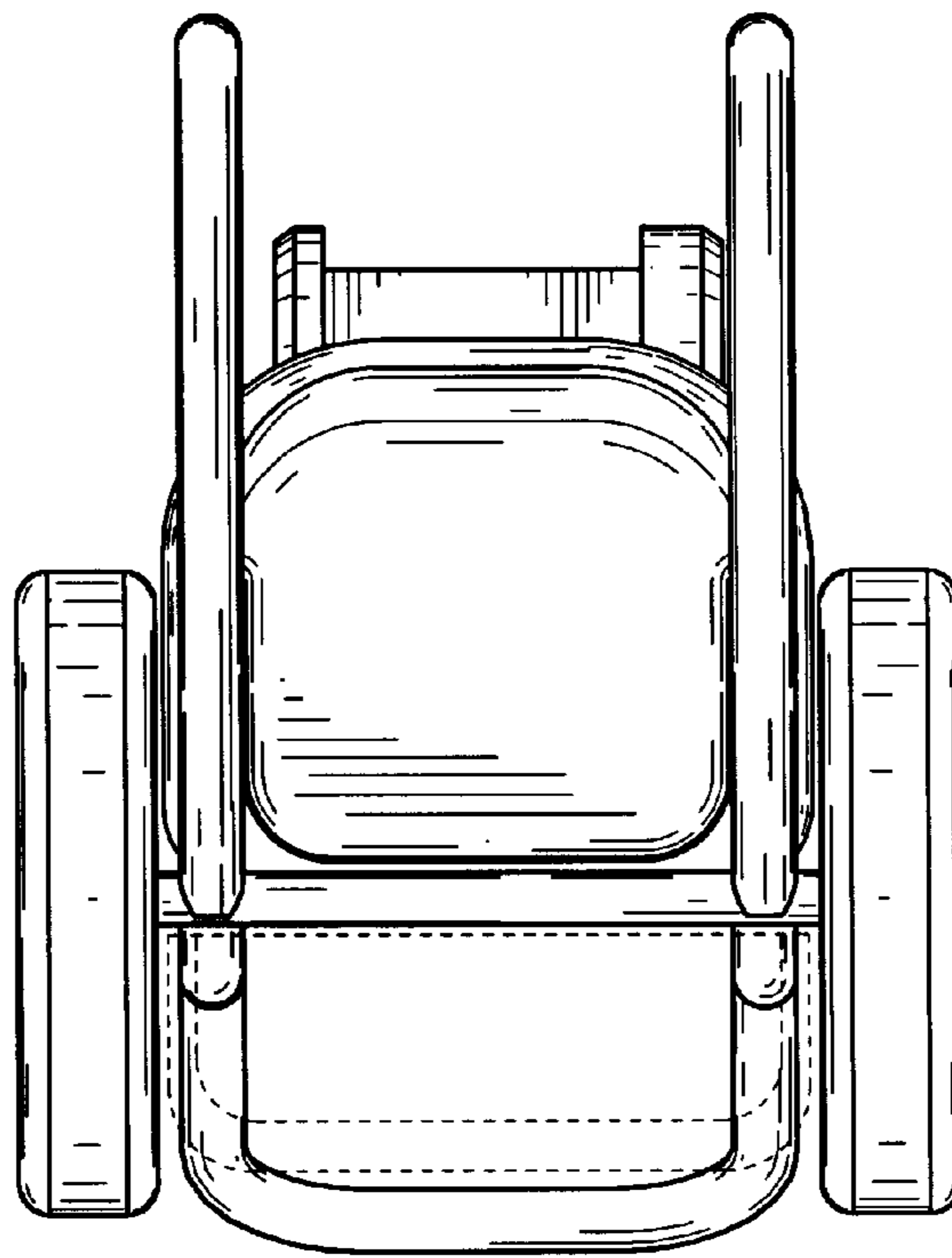


Fig.8