



US00D429313S

# United States Patent [19]

Bower et al.

[11] Patent Number: Des. 429,313

[45] Date of Patent: \*\* Aug. 8, 2000

## [54] PAINT SPRAYER

[75] Inventors: **Robert M. Bower**, Mt. Juliet; **James R. England**, Nashville, both of Tenn.

[73] Assignee: **Campbell Hausfeld/Scott Fetzer Company**, Harrison, Ohio

[\*\*] Term: **14 Years**

[21] Appl. No.: **29/109,630**

[22] Filed: **Aug. 19, 1999**

[51] **LOC (7) Cl.** ..... **23-01**

[52] **U.S. Cl.** ..... **D23/225**

[58] **Field of Search** ..... D23/213, 225; D34/14, 24; 239/308, 146-7, 722; 222/608, 610; 401/195-6; 141/231

## [56] References Cited

### U.S. PATENT DOCUMENTS

D. 271,038	10/1983	Anderson et al.	.....	D23/213
D. 306,477	3/1990	Weiss	.....	D23/225
D. 399,031	9/1998	Prosper et al.	.....	D34/24

*Primary Examiner*—Robin V. Taylor

*Attorney, Agent, or Firm*—Jones, Day, Reavis & Pogue

## [57] CLAIM

We claim the ornamental design of a paint sprayer, as shown and described.

## DESCRIPTION

FIG. 1 is an isometric view, taken from the front, of a paint sprayer having an ornamental design comprising a first embodiment of the present invention;

FIG. 2 is an isometric view, taken from the rear, of the paint sprayer of FIG. 1;

FIG. 3 is a side view of the paint sprayer of FIG. 1;

FIG. 4 is an opposite side view of the paint sprayer of FIG. 1;

FIG. 5 is a front view of the paint sprayer of FIG. 1;

FIG. 6 is a rear view of the paint sprayer of FIG. 1;

FIG. 7 is a top view of the paint sprayer of FIG. 1;

FIG. 8 is a bottom view of the paint sprayer of FIG. 1;

FIG. 9 is an isometric view, taken from the front, of a paint sprayer having an ornamental design comprising a second embodiment of the present invention;

FIG. 10 is an isometric view, taken from the rear, of the paint sprayer of FIG. 9;

FIG. 11 is a side view of the paint sprayer of FIG. 9;

FIG. 12 is an opposite side view of the paint sprayer of FIG. 9;

FIG. 13 is a front view of the paint sprayer of FIG. 9;

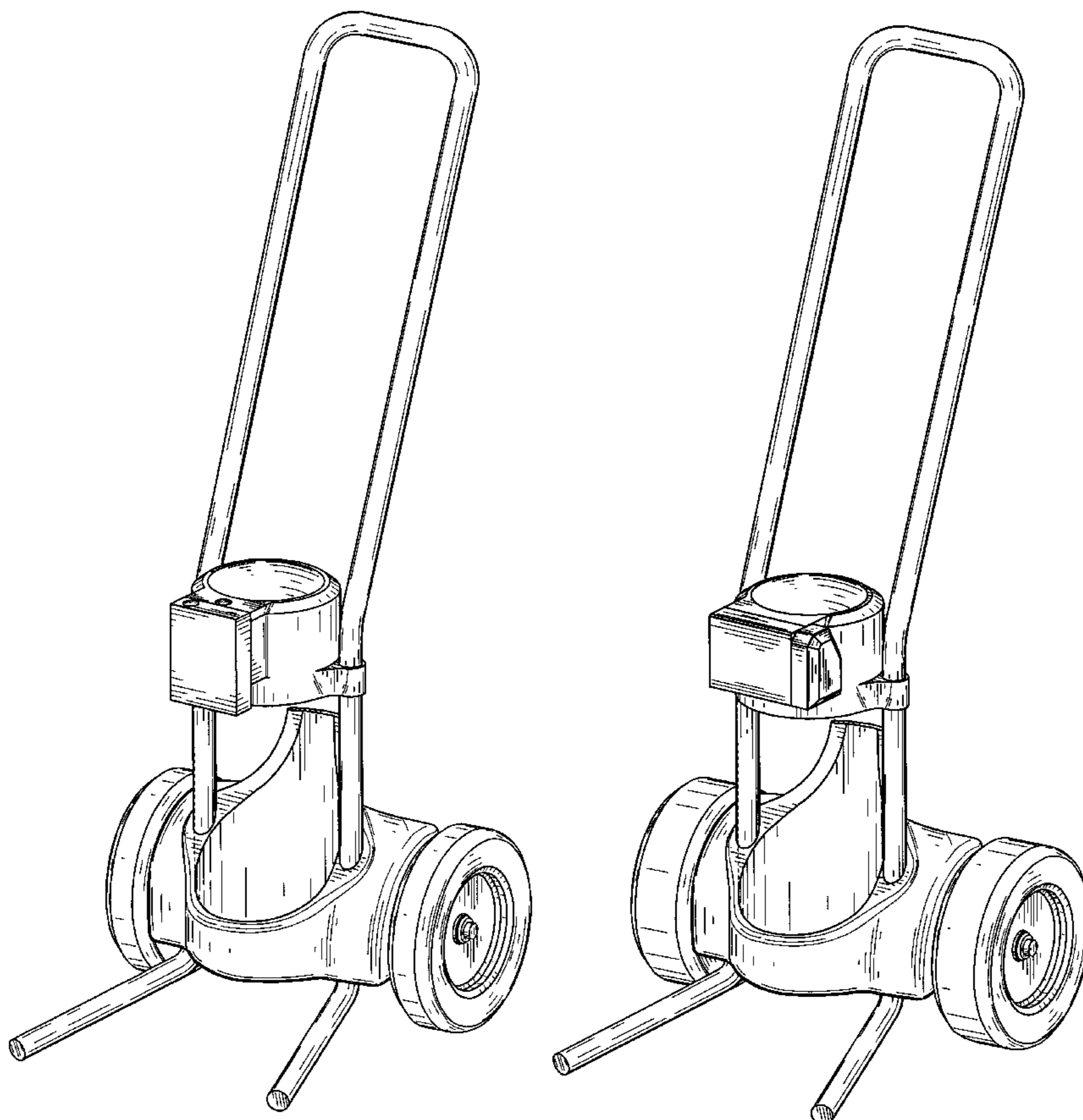
FIG. 14 is a rear view of the paint sprayer of FIG. 9;

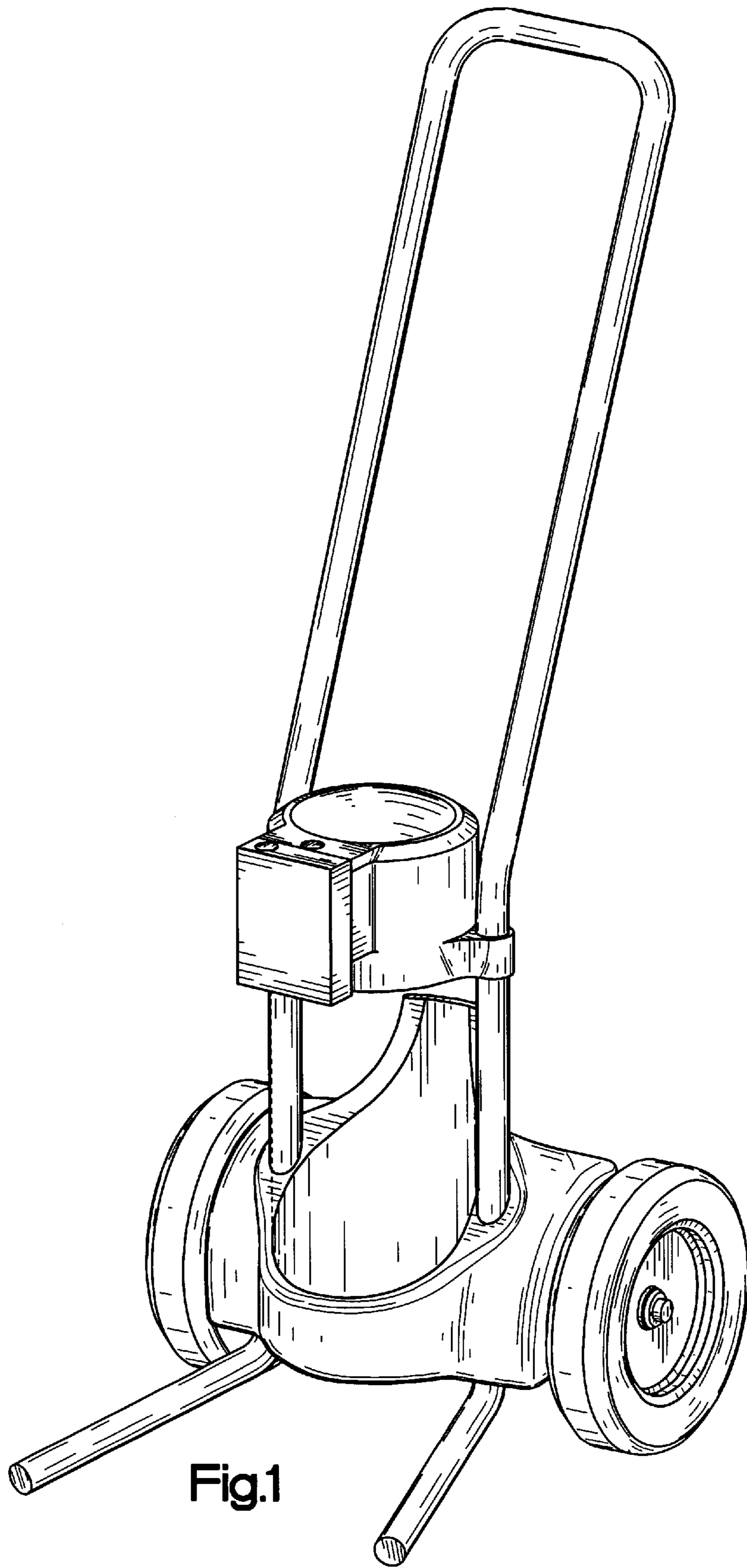
FIG. 15 is a top view of the paint sprayer of FIG. 9; and,

FIG. 16 is a bottom view of the paint sprayer of FIG. 9.

The broken line showings in FIGS. 1-16 are for illustrative purposes only and form no part of the claimed design.

**1 Claim, 12 Drawing Sheets**





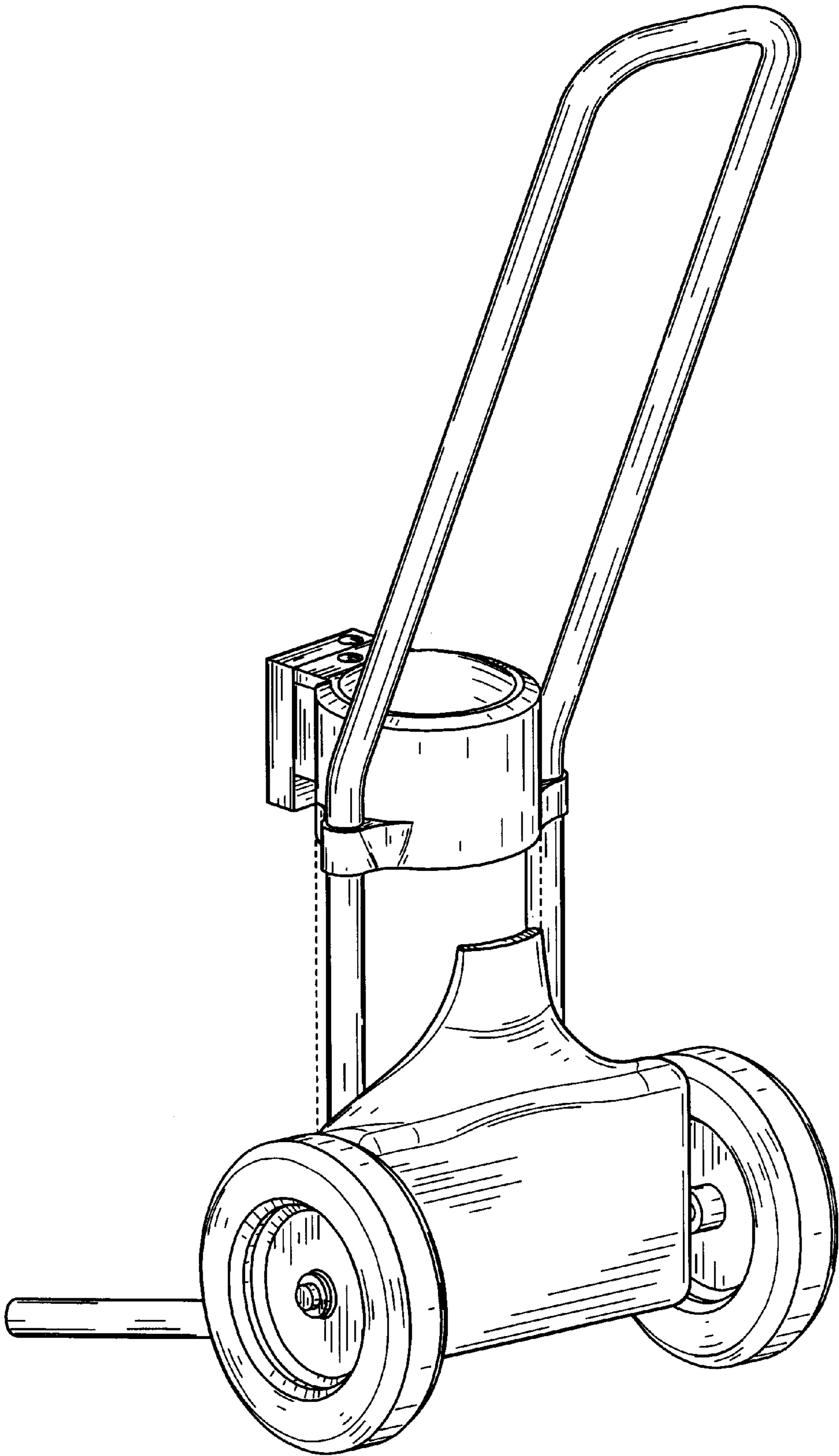


Fig.2

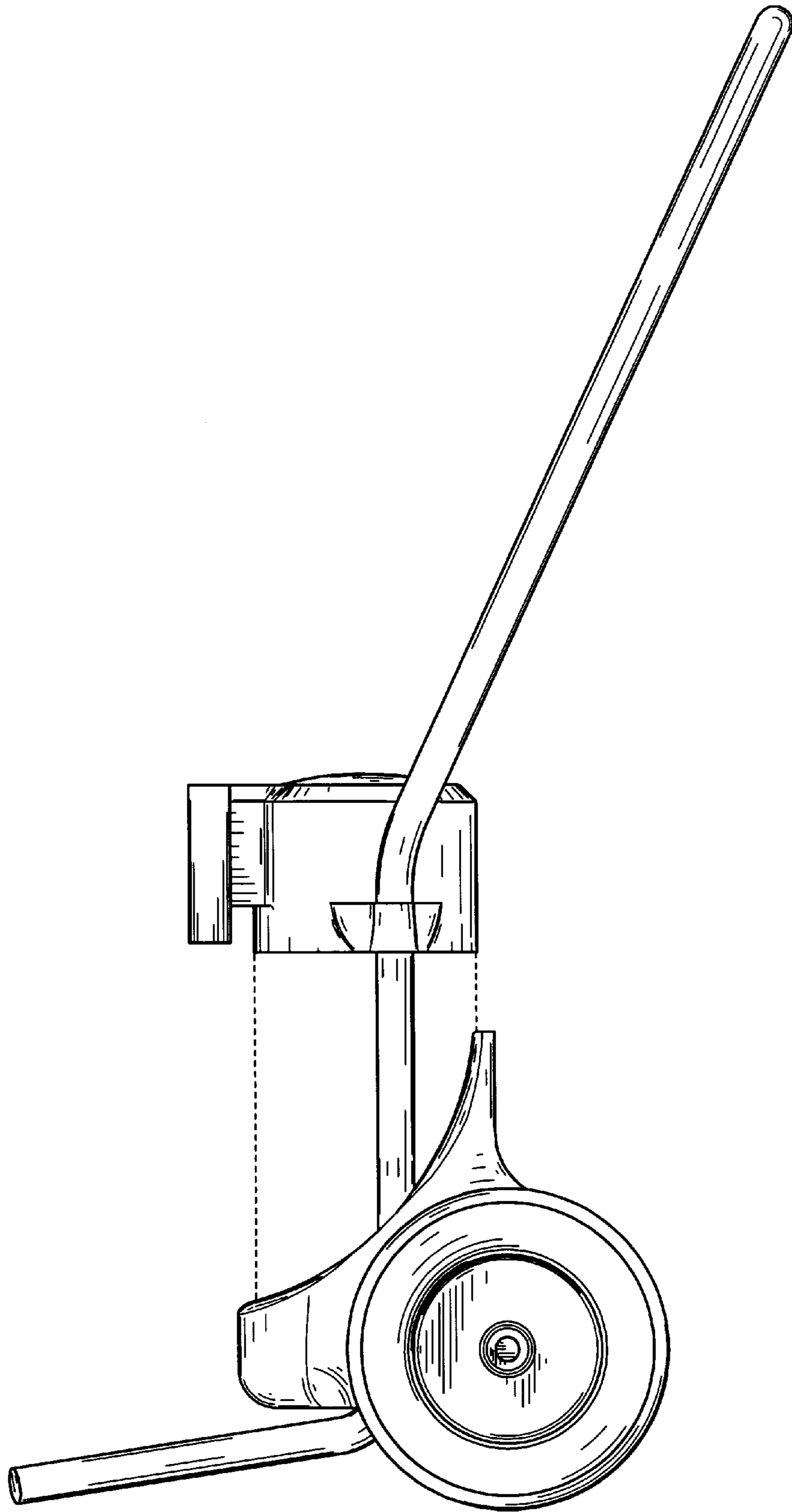


Fig.3

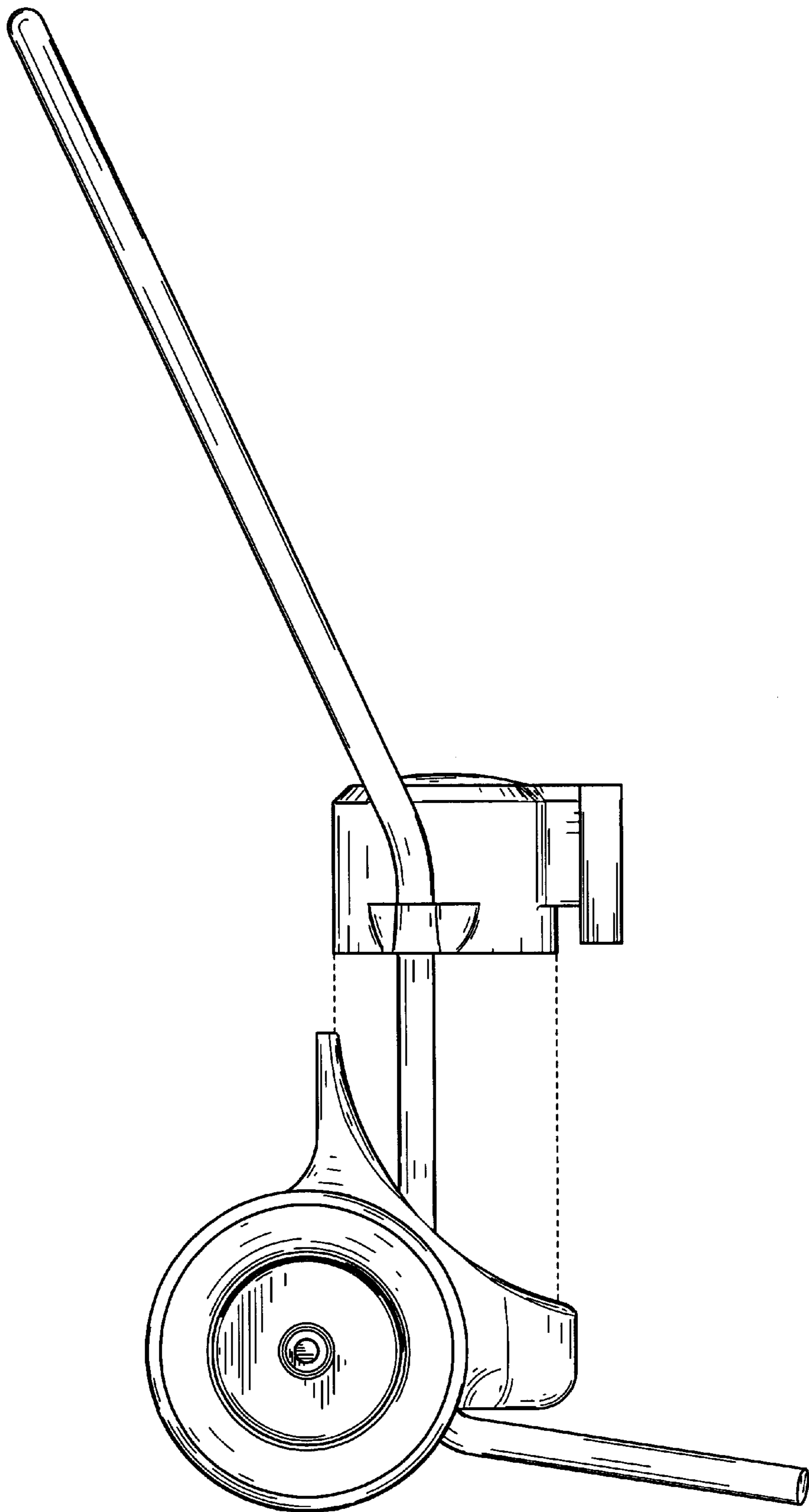


Fig.4

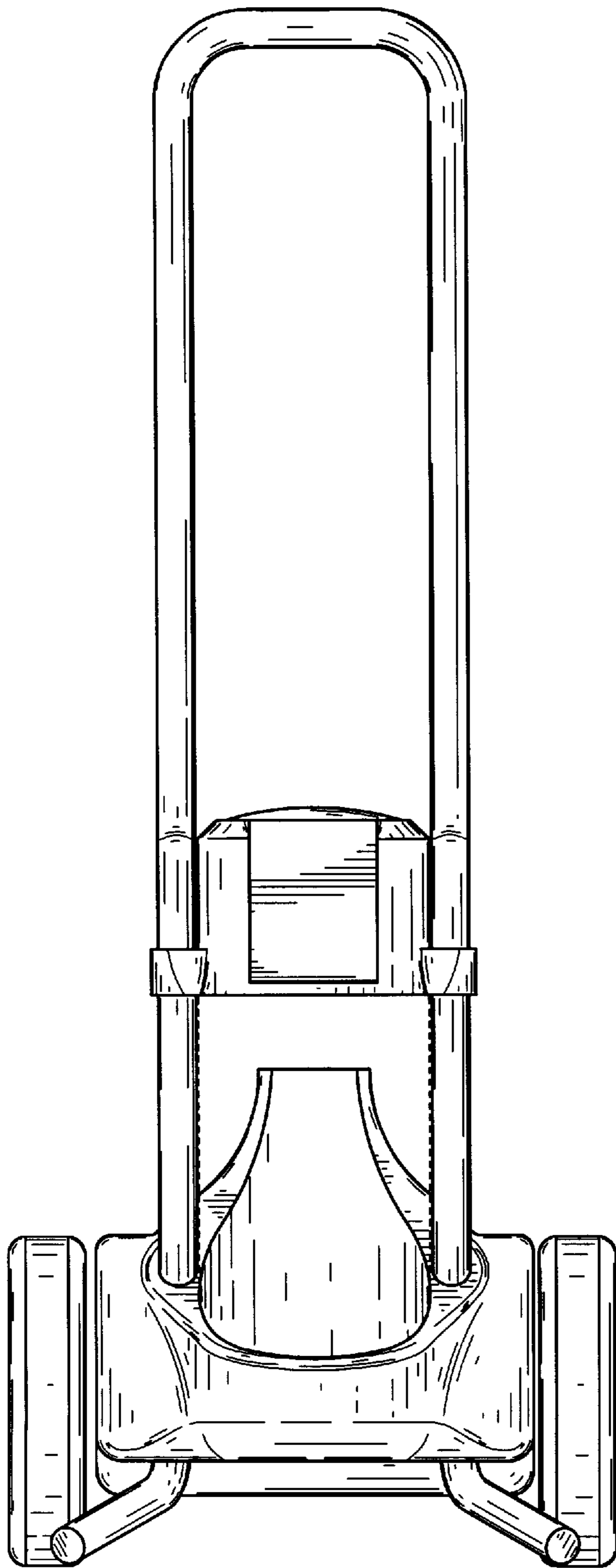


Fig.5

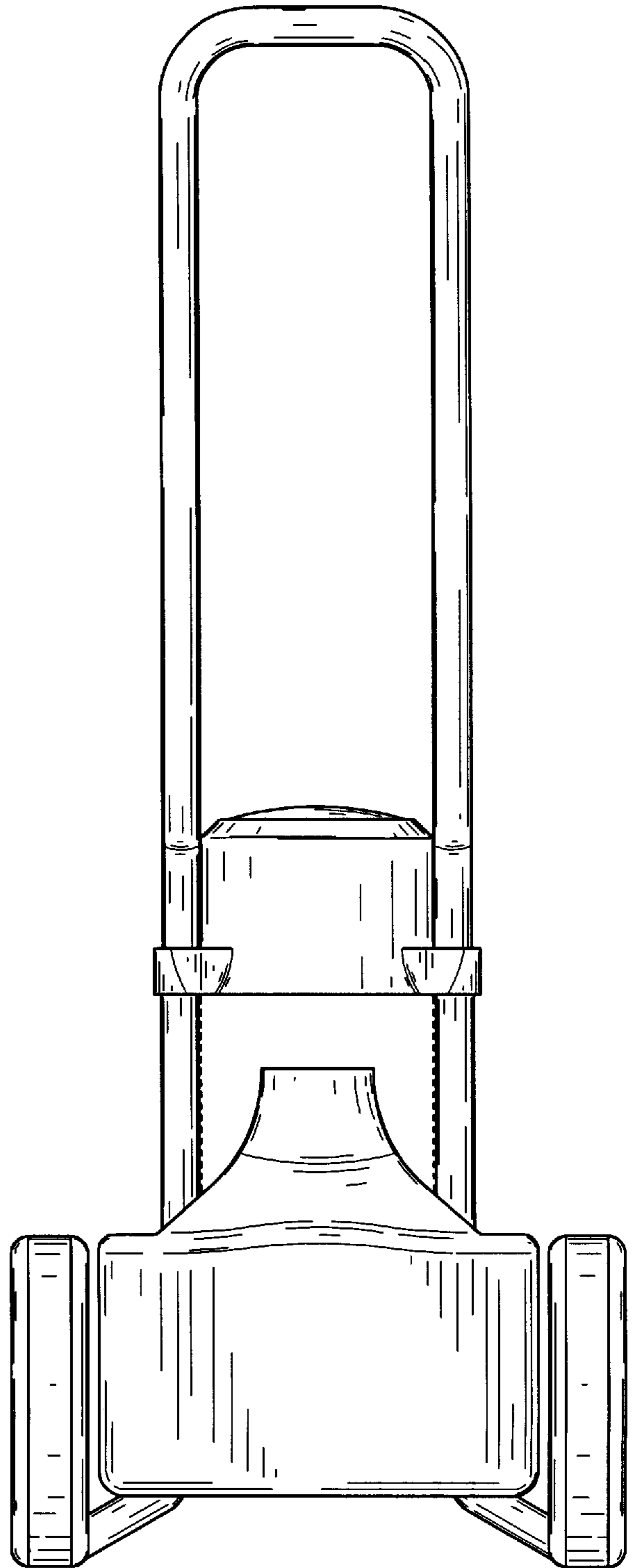


Fig.6

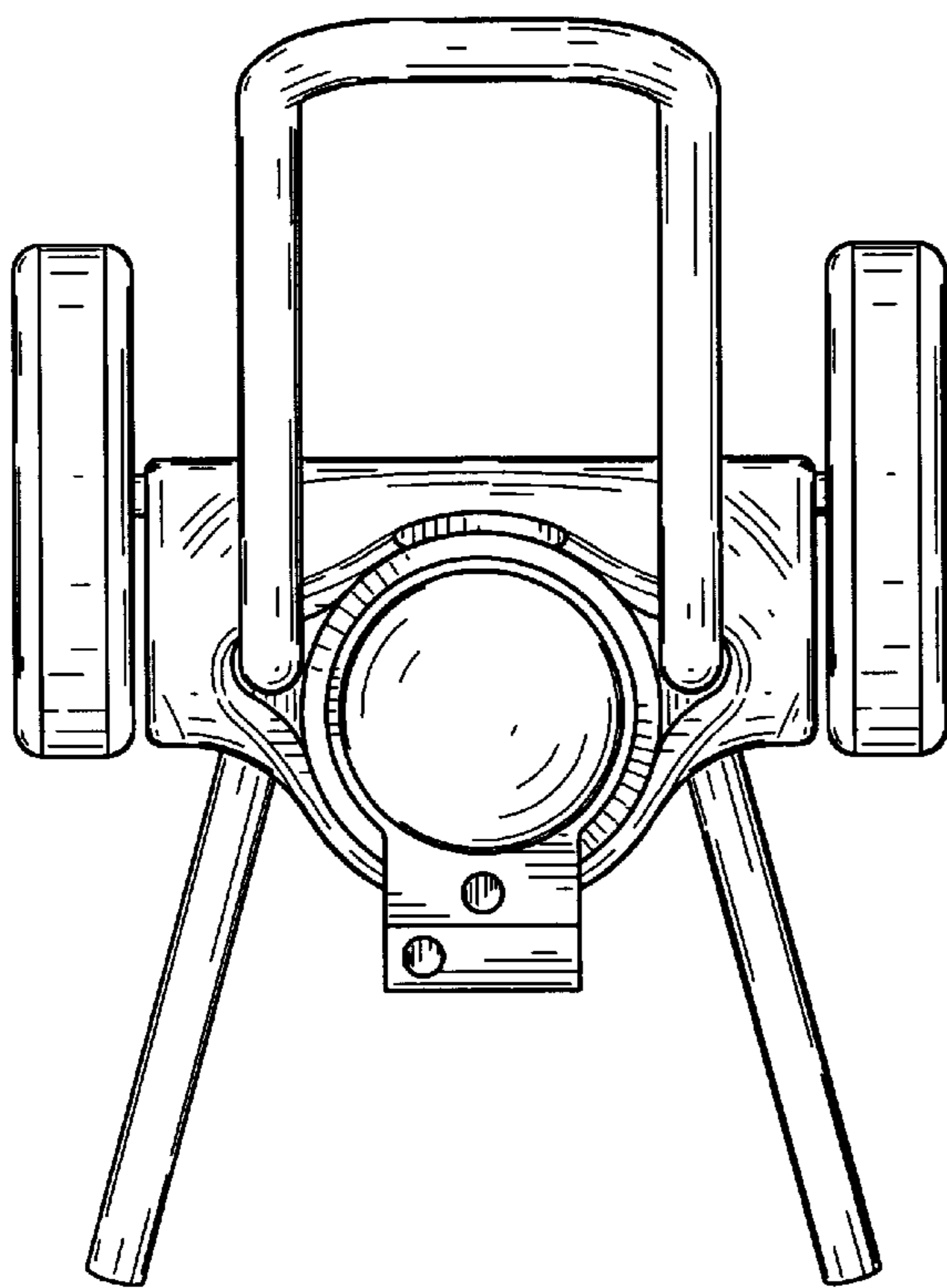


Fig.7

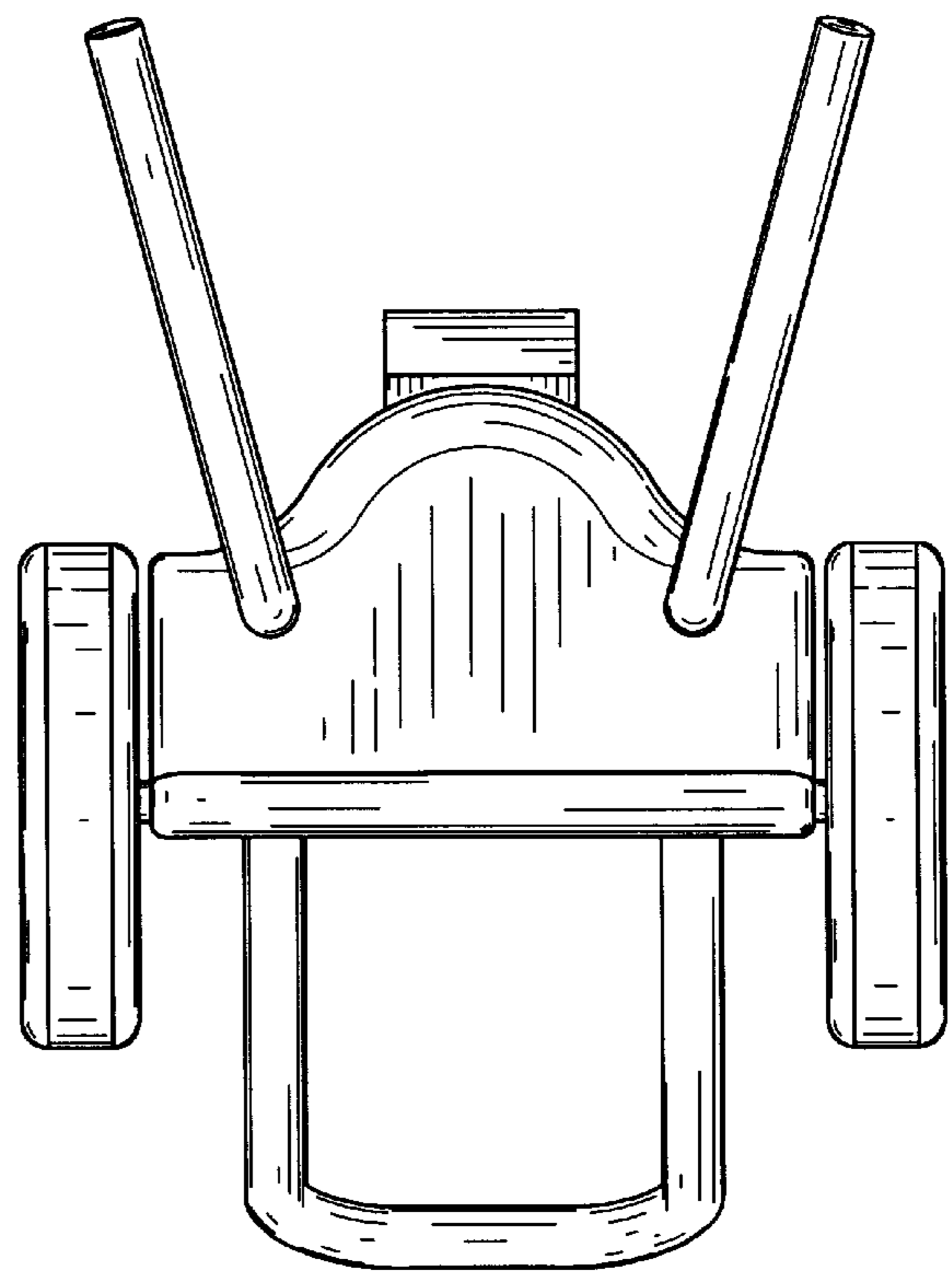
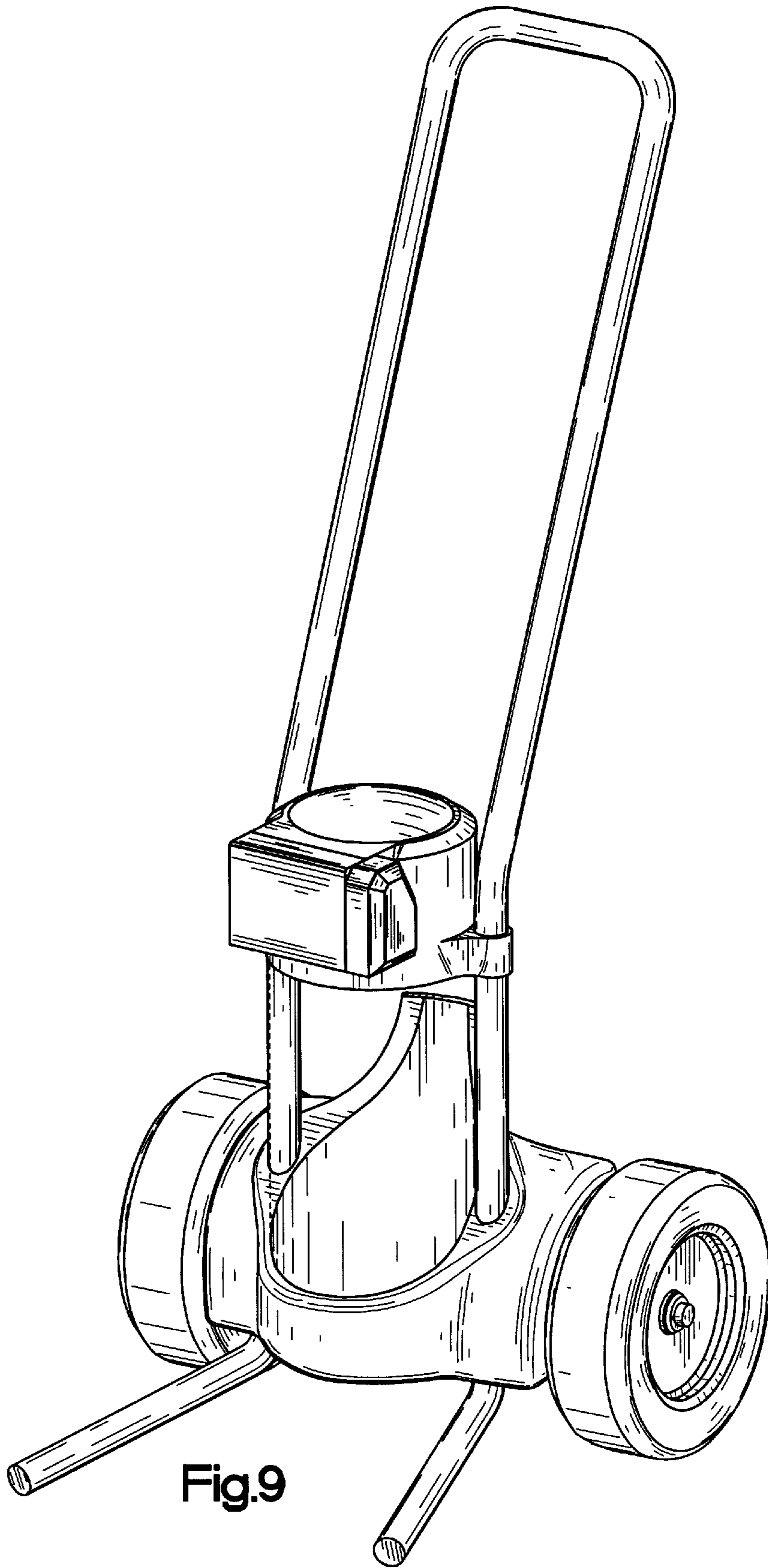


Fig.8





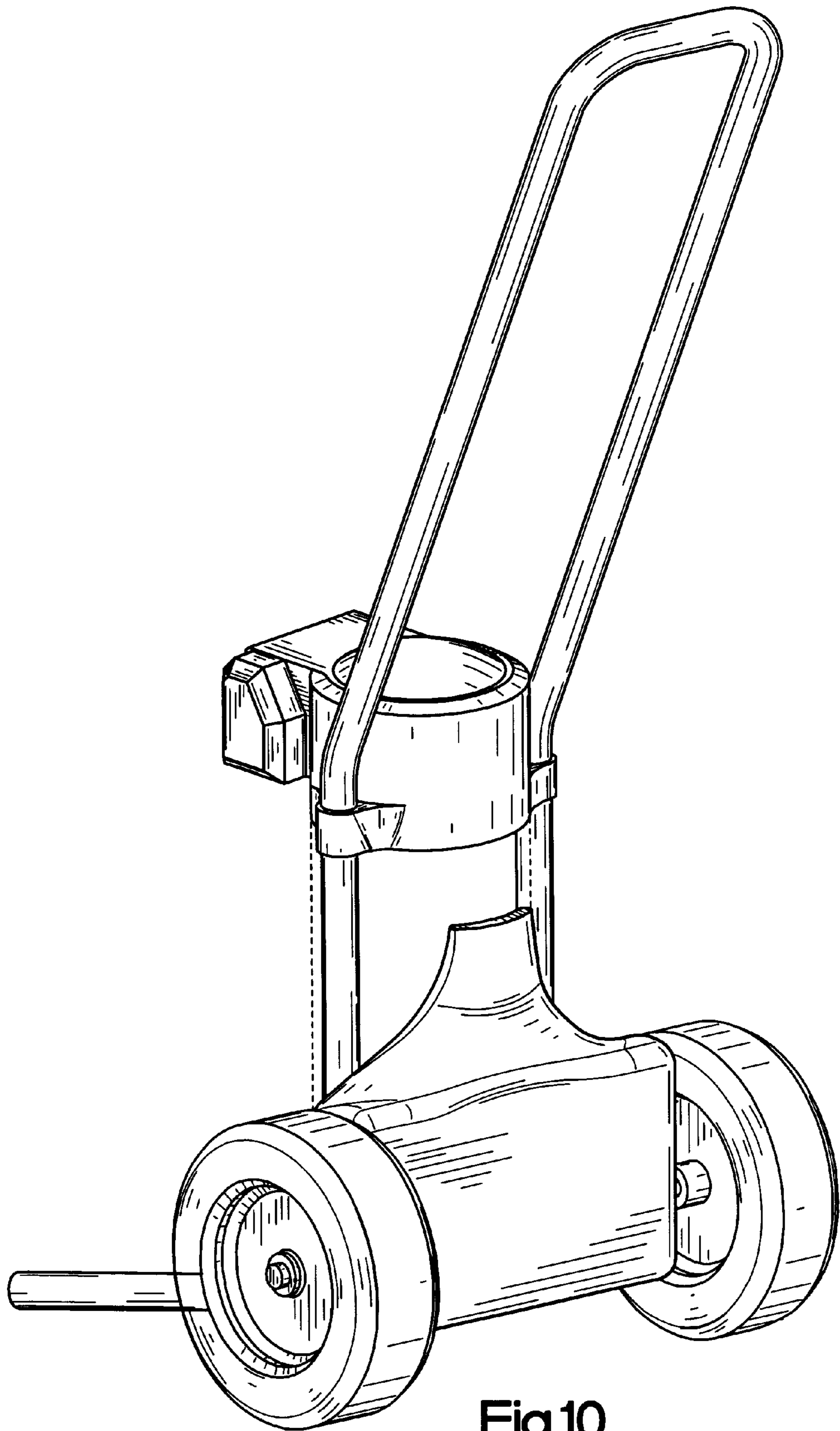


Fig.10

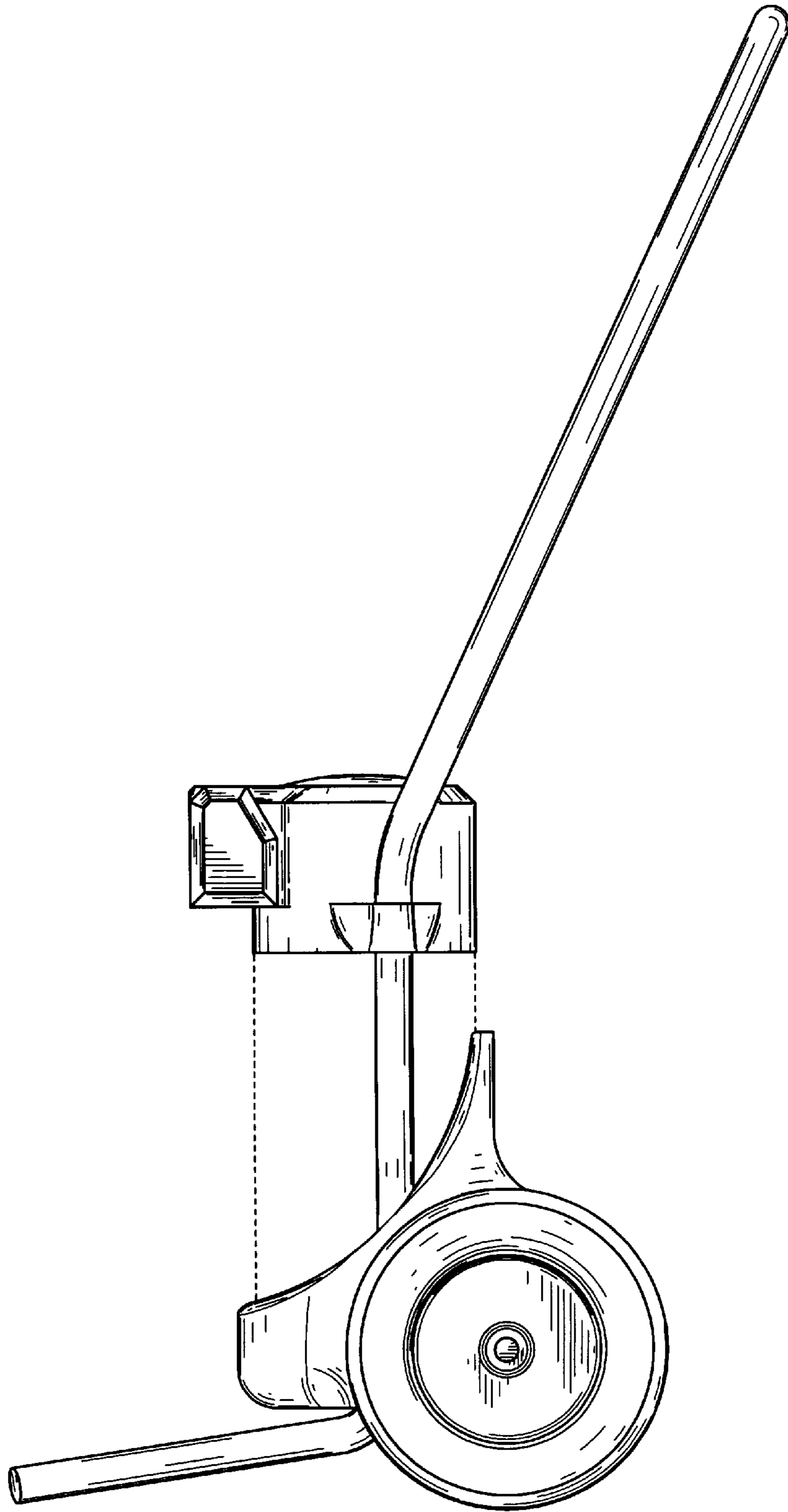


Fig.11

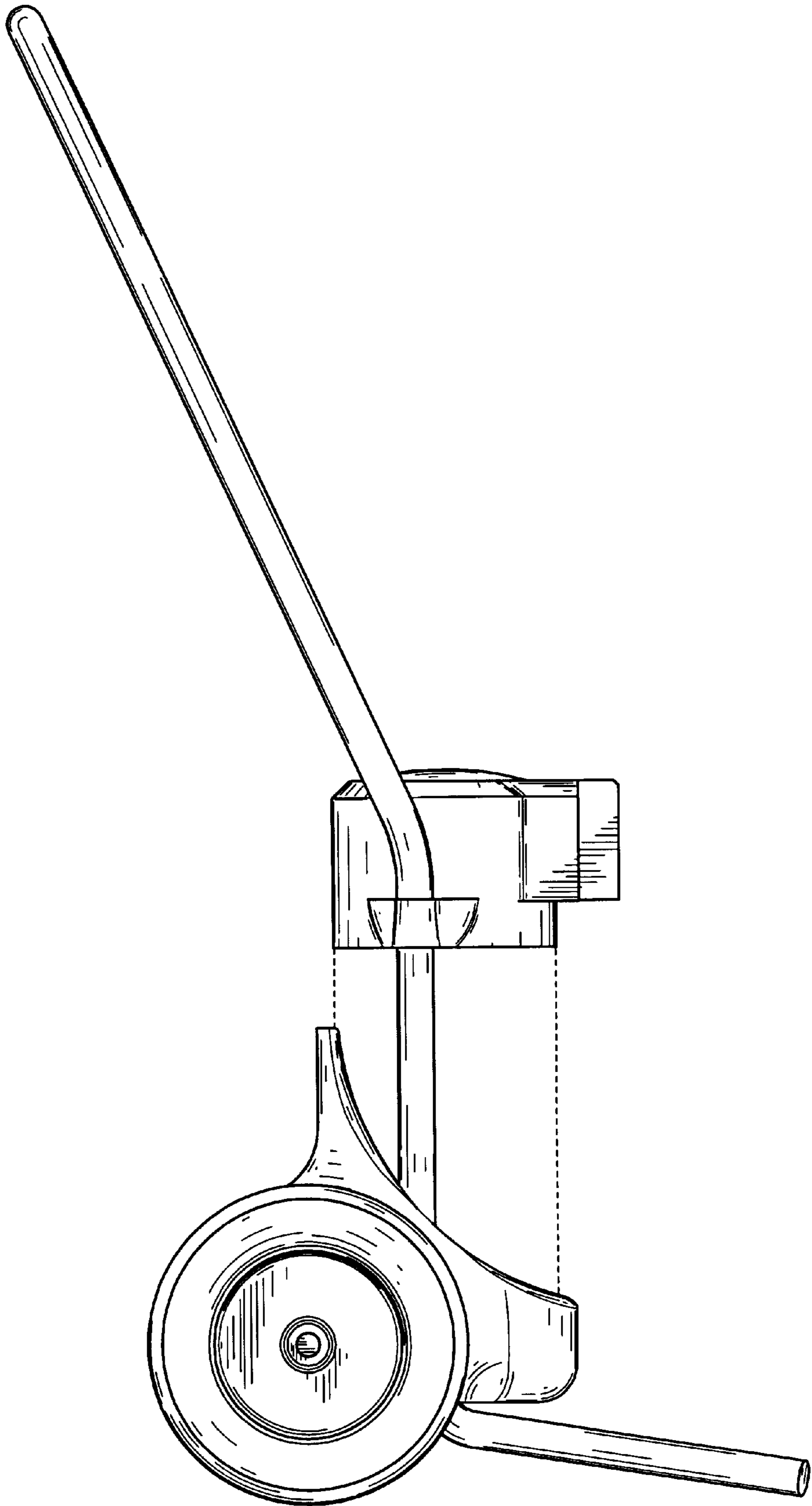


Fig.12

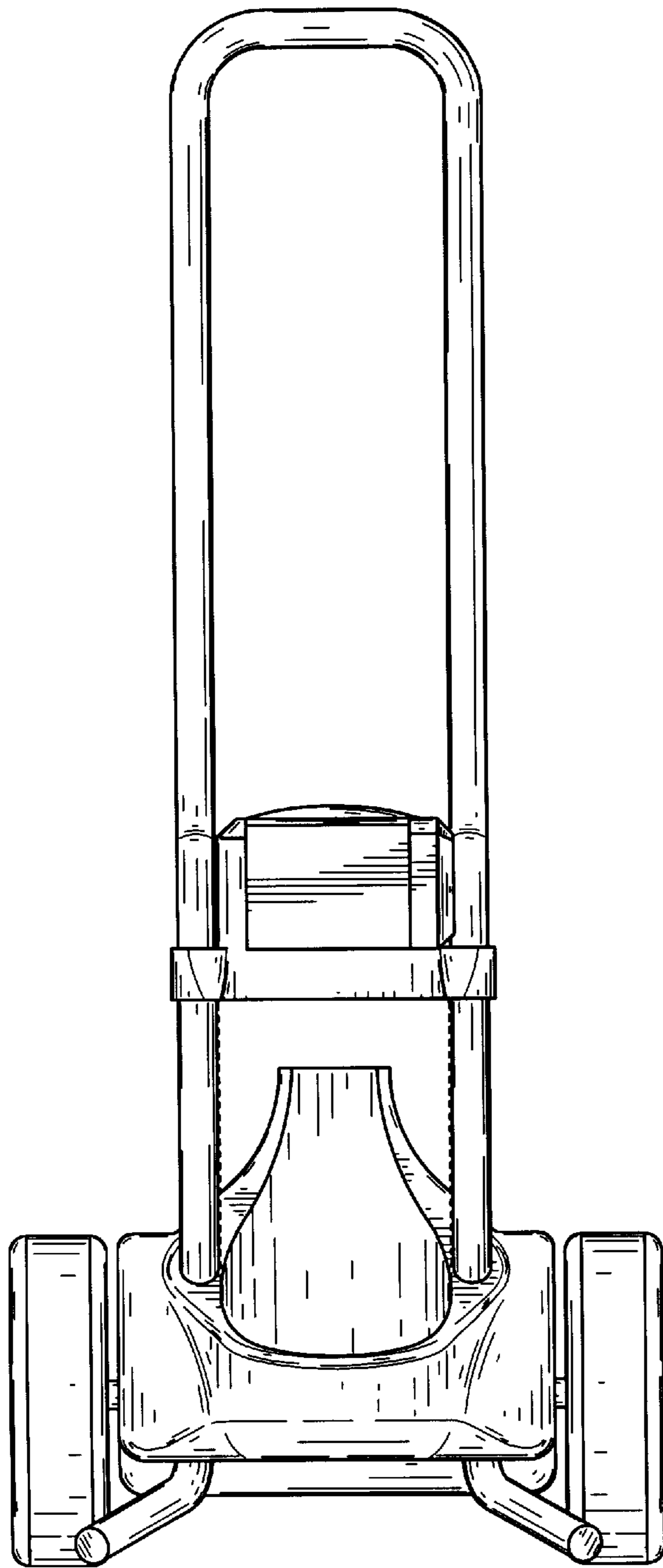


Fig.13

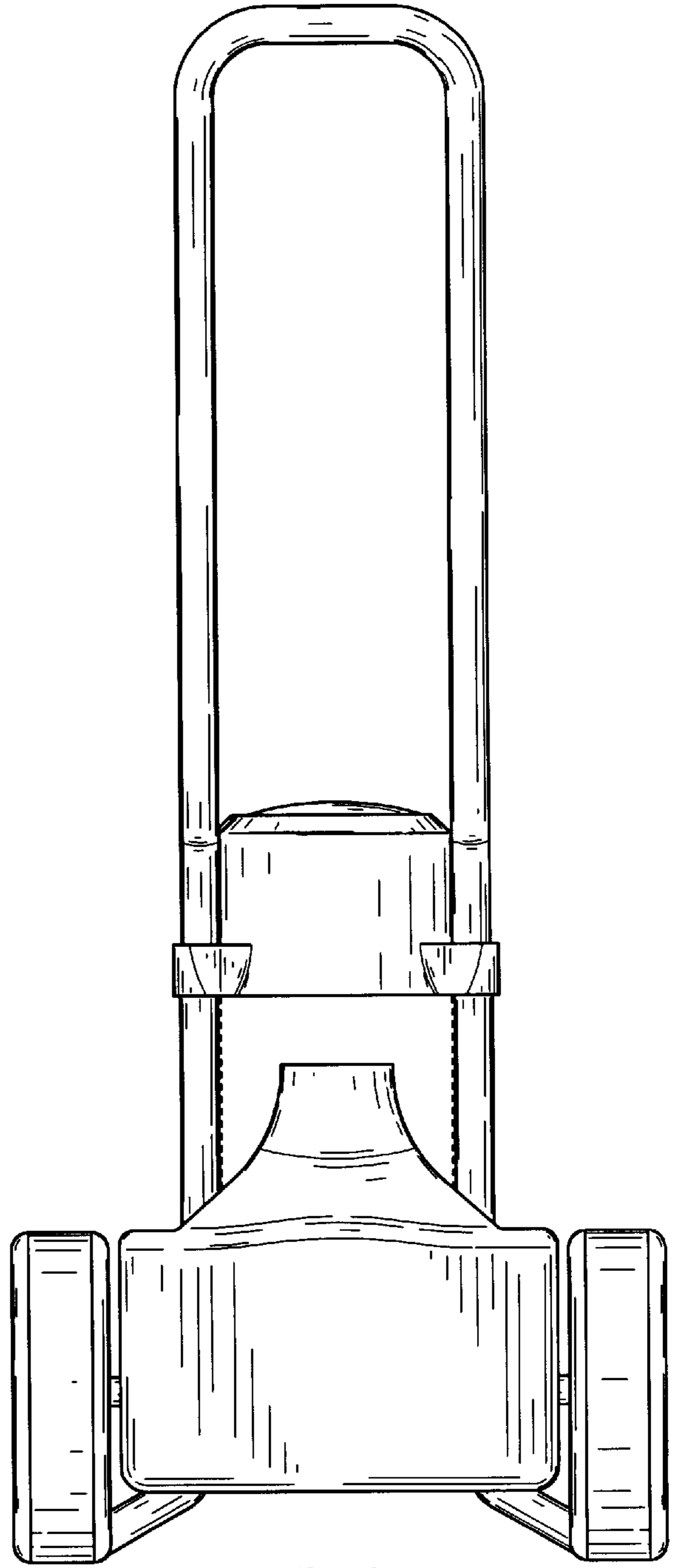


Fig.14

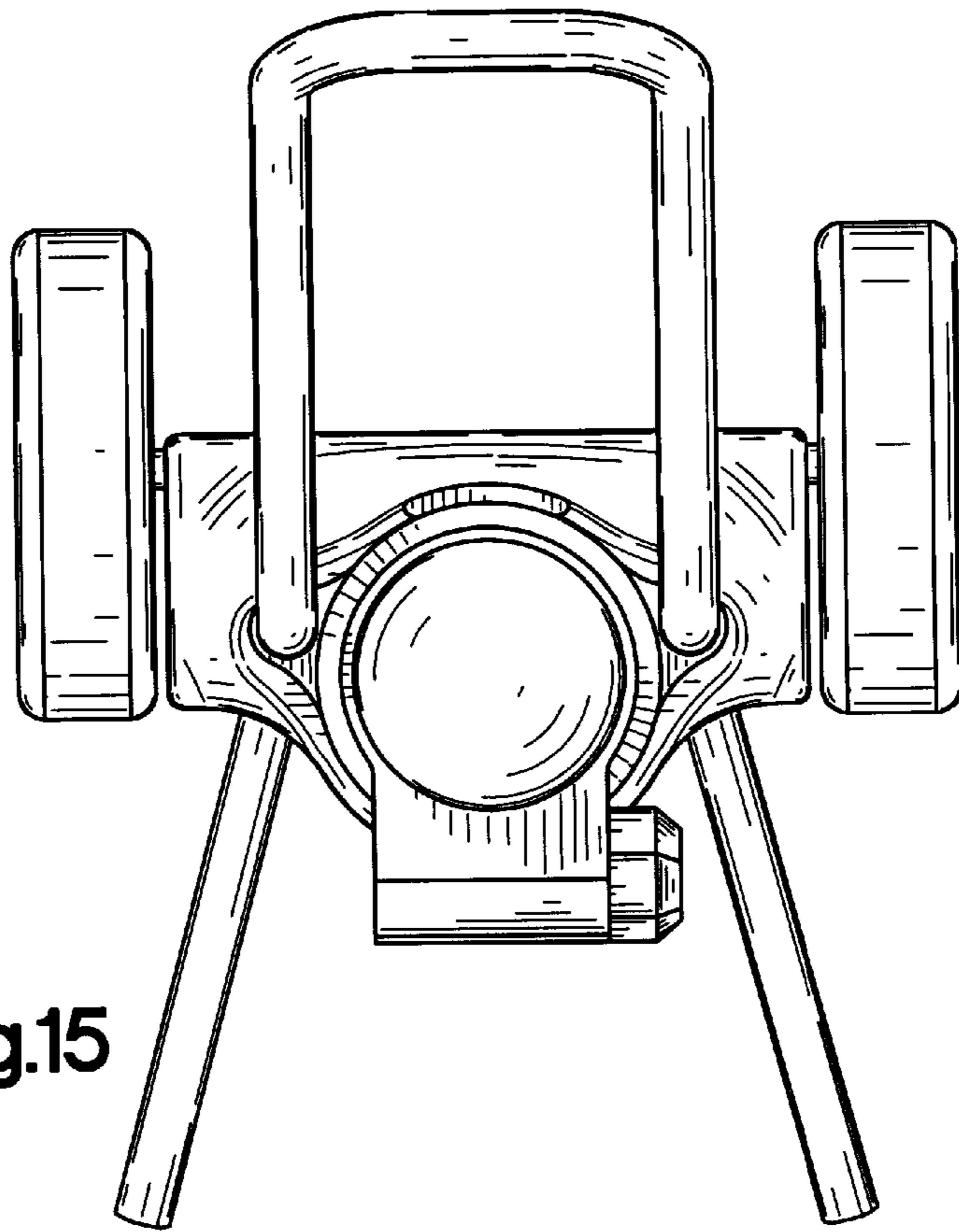


Fig.15

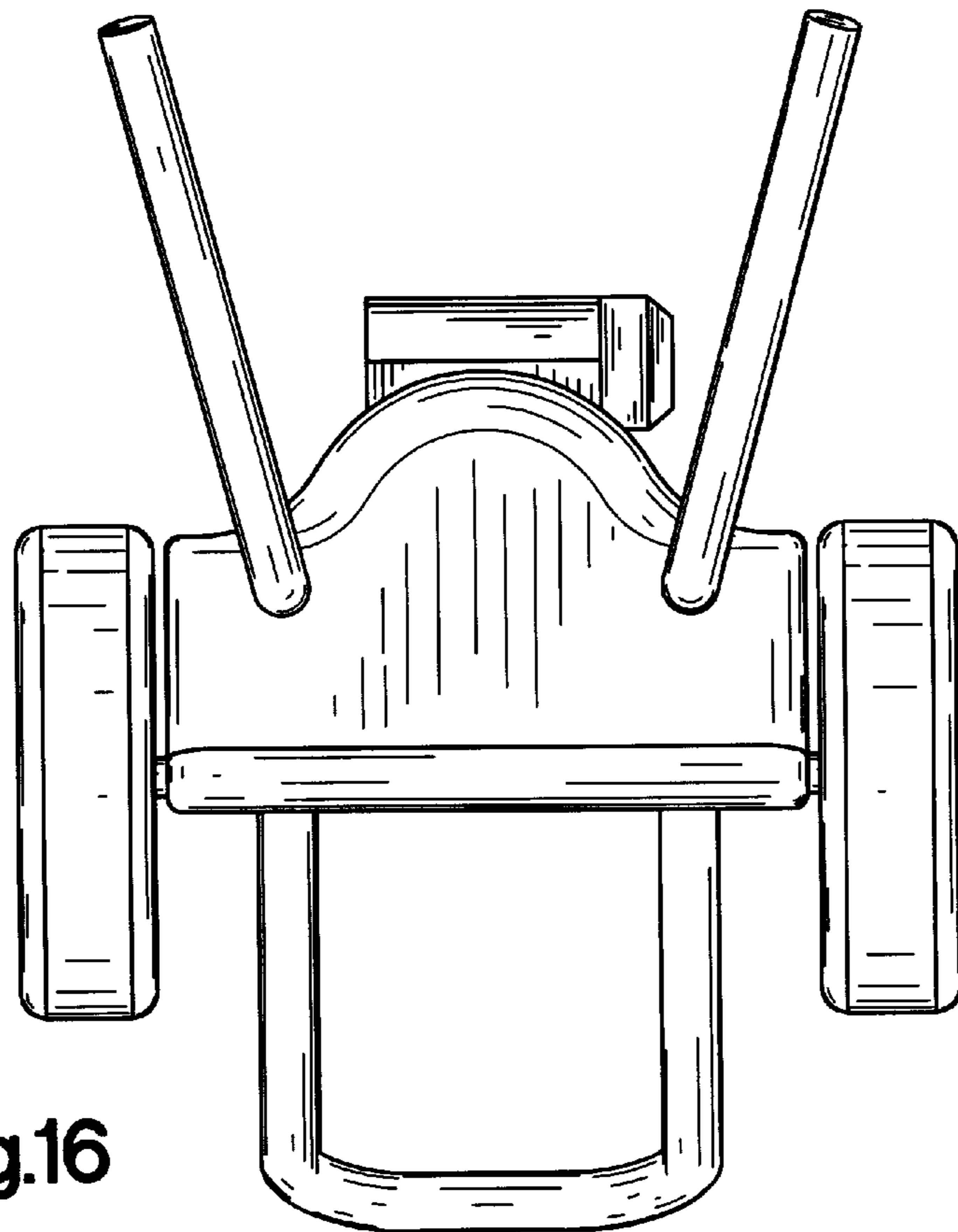


Fig.16