



US00D429301S

United States Patent [19] Ranger

[11] **Patent Number: Des. 429,301**

[45] **Date of Patent: ** Aug. 8, 2000**

[54] **AMBIDEXTROUS GOLF BALL RETRIEVER**

[76] Inventor: **Aurélien Ranger**, 157, Martel Ave,
Beloeil, Québec, Canada, J3G 3H2

[**] Term: **14 Years**

[21] Appl. No.: **29/106,075**

[22] Filed: **Jun. 7, 1999**

[30] **Foreign Application Priority Data**

Apr. 9, 1999 [CA] Canada 1998-2912

[51] **LOC (7) Cl.** **21-02**

[52] **U.S. Cl.** **D21/759**

[58] **Field of Search** D21/759, 753,
D21/789; 294/19.2; 206/315.9

[56] **References Cited**

U.S. PATENT DOCUMENTS

D. 187,600 4/1960 Felker D21/721
D. 361,354 8/1995 Bailey et al. D21/759
D. 388,850 1/1998 Ranger D21/759

2,524,527 10/1950 Jasmer 294/19.2
2,561,815 7/1951 Oberg 294/19.2
3,749,407 7/1973 Prochnow 294/19.2
5,112,093 5/1992 Kindling 206/315.9

OTHER PUBLICATIONS

Golf Day; Insert page; Ball saver, Mar. 1996.

Primary Examiner—Mitchell Siegel

[57] **CLAIM**

I claim the ornamental design for an ambidextrous golf ball retriever, as shown and described herein.

DESCRIPTION

FIG. 1 is a perspective of an ambidextrous golf ball retriever, showing my new design.

FIG. 2 is a top view thereof,

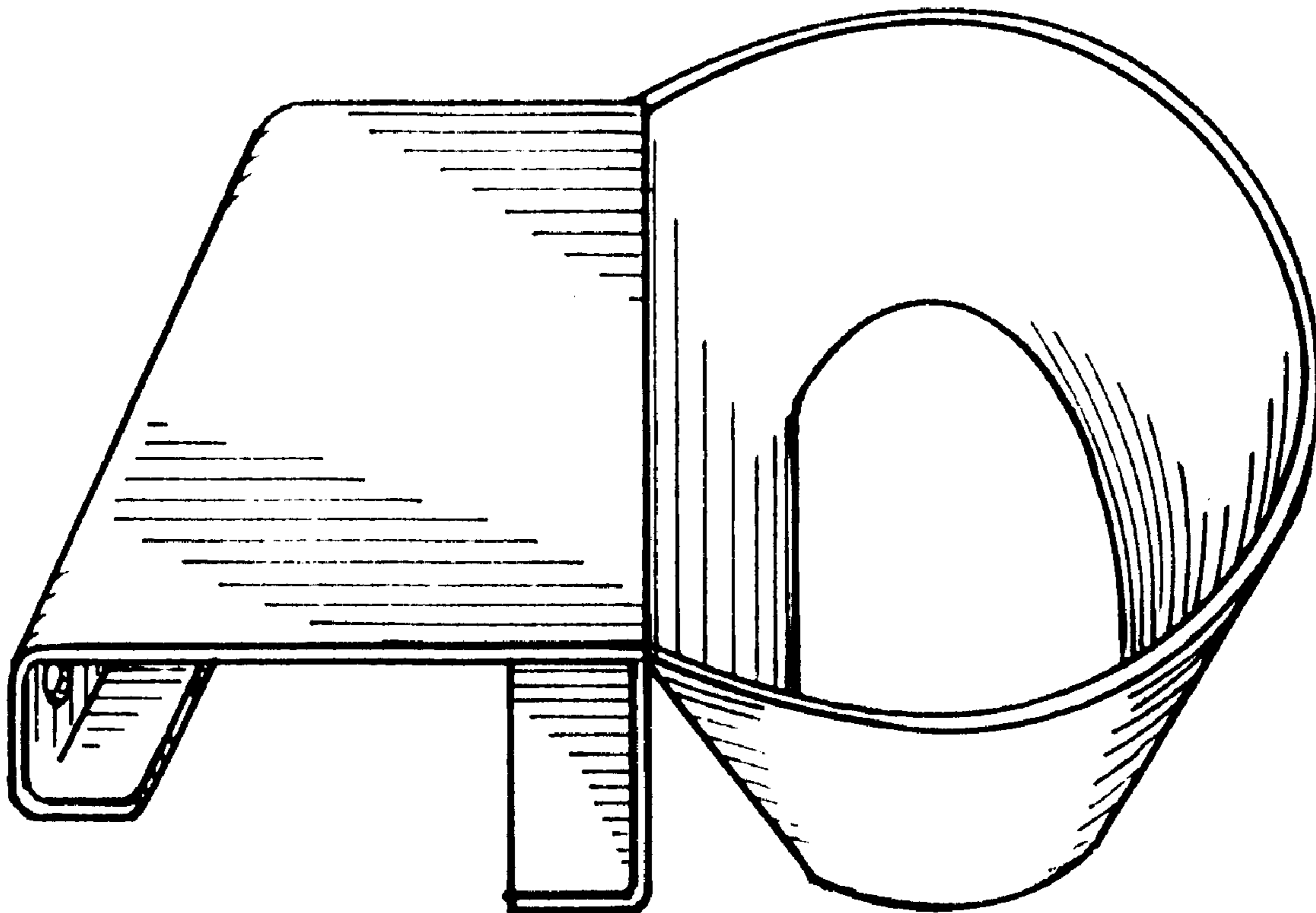
FIG. 3 is a side view thereof

FIG. 4 is a front view thereof

FIG. 5 is a rear view thereof; and,

FIG. 6 is a bottom view thereof.

1 Claim, 2 Drawing Sheets



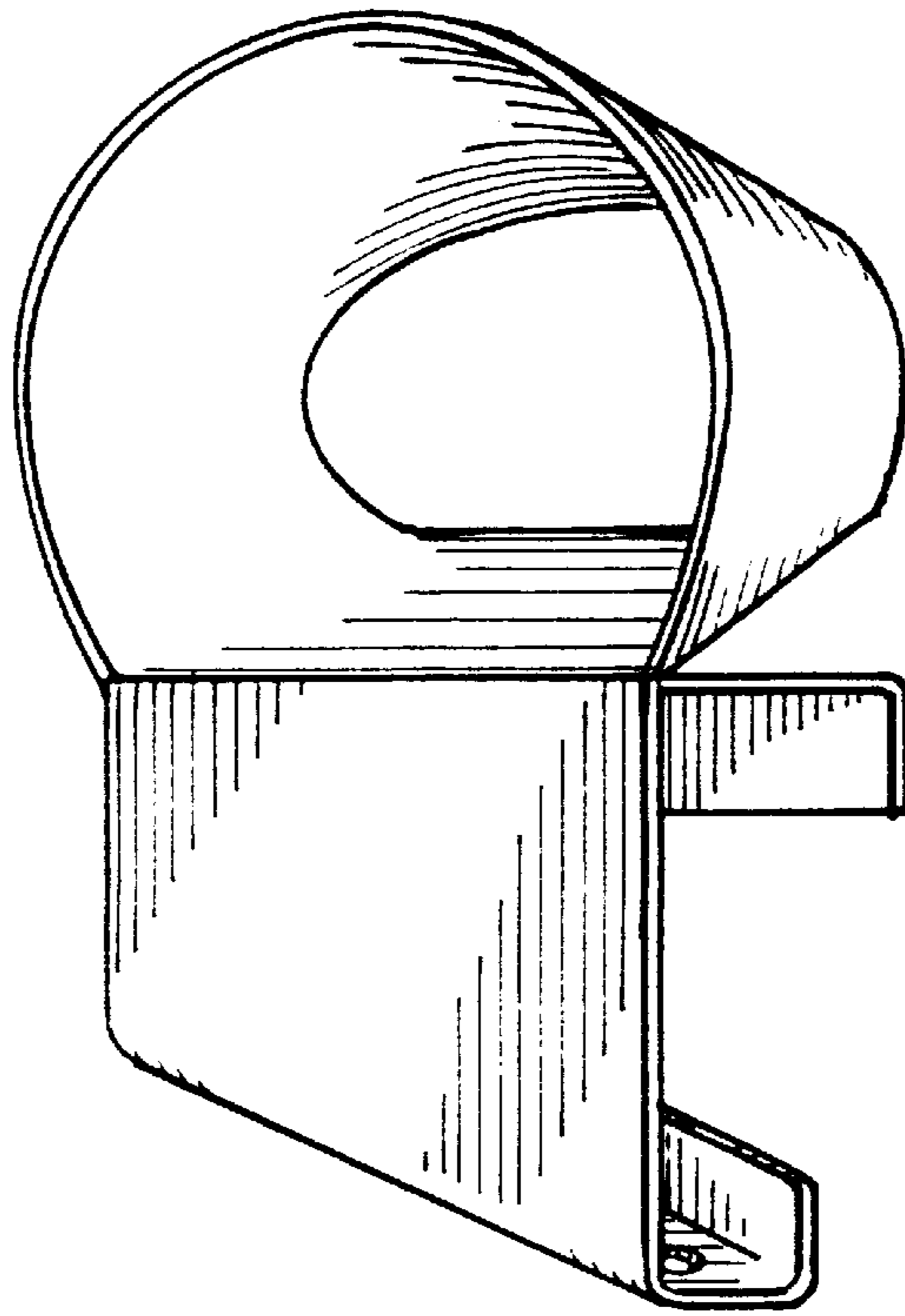


FIG. 1

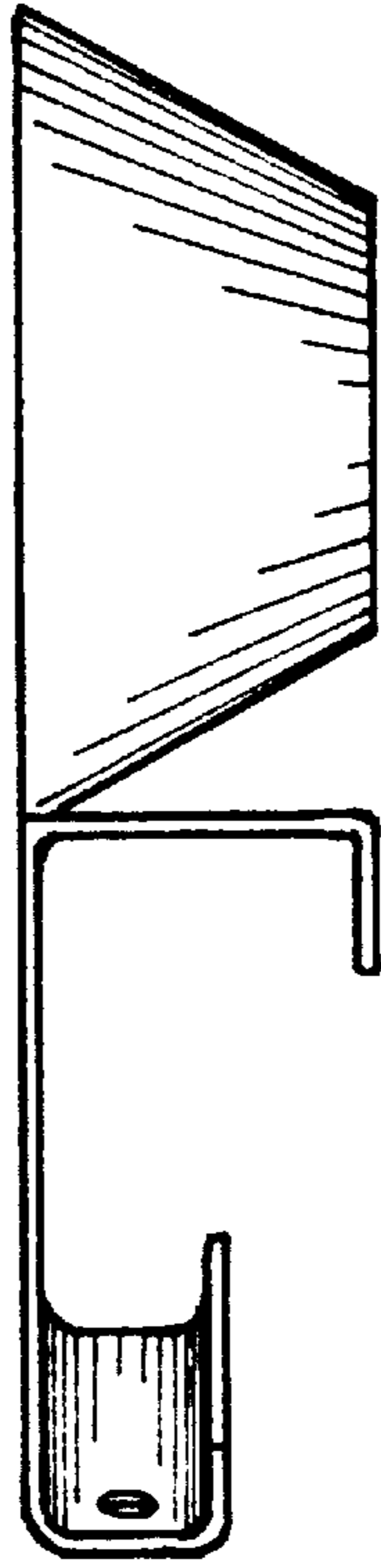


FIG. 3

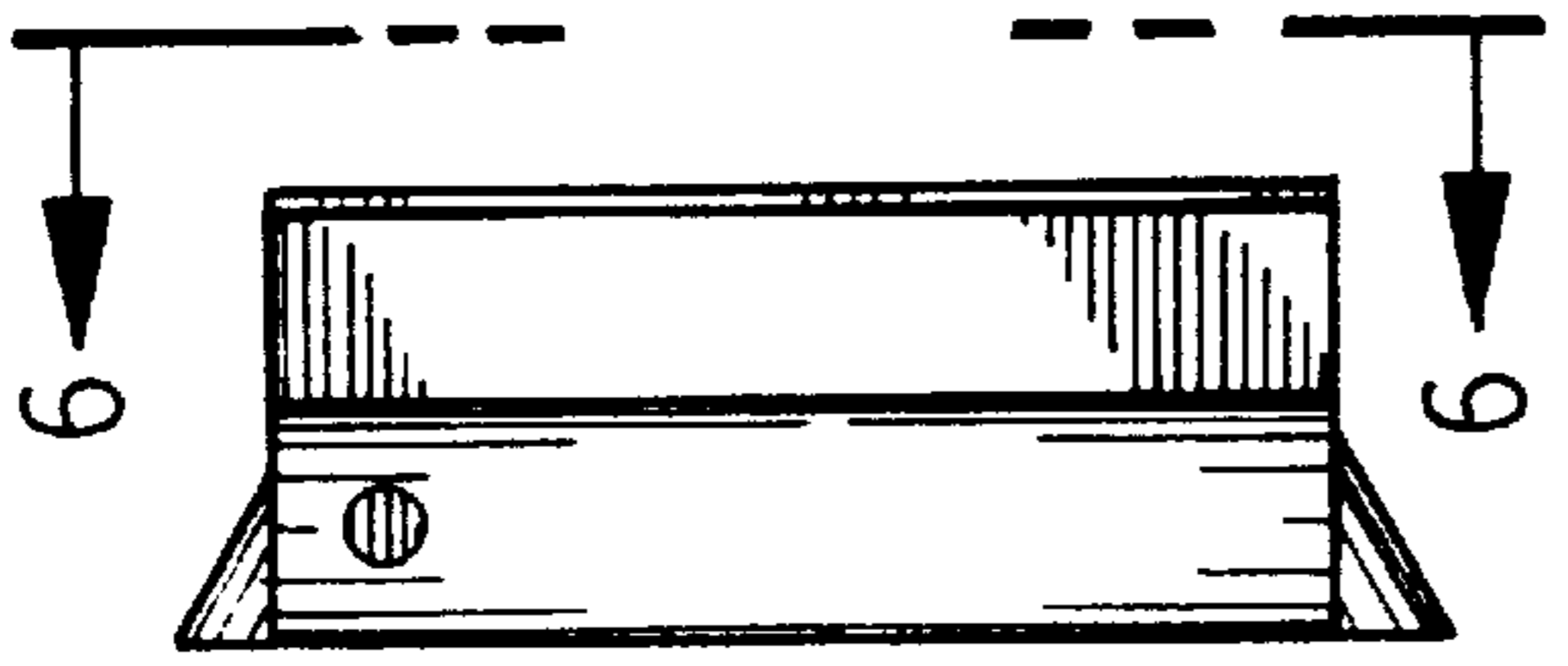


FIG. 5

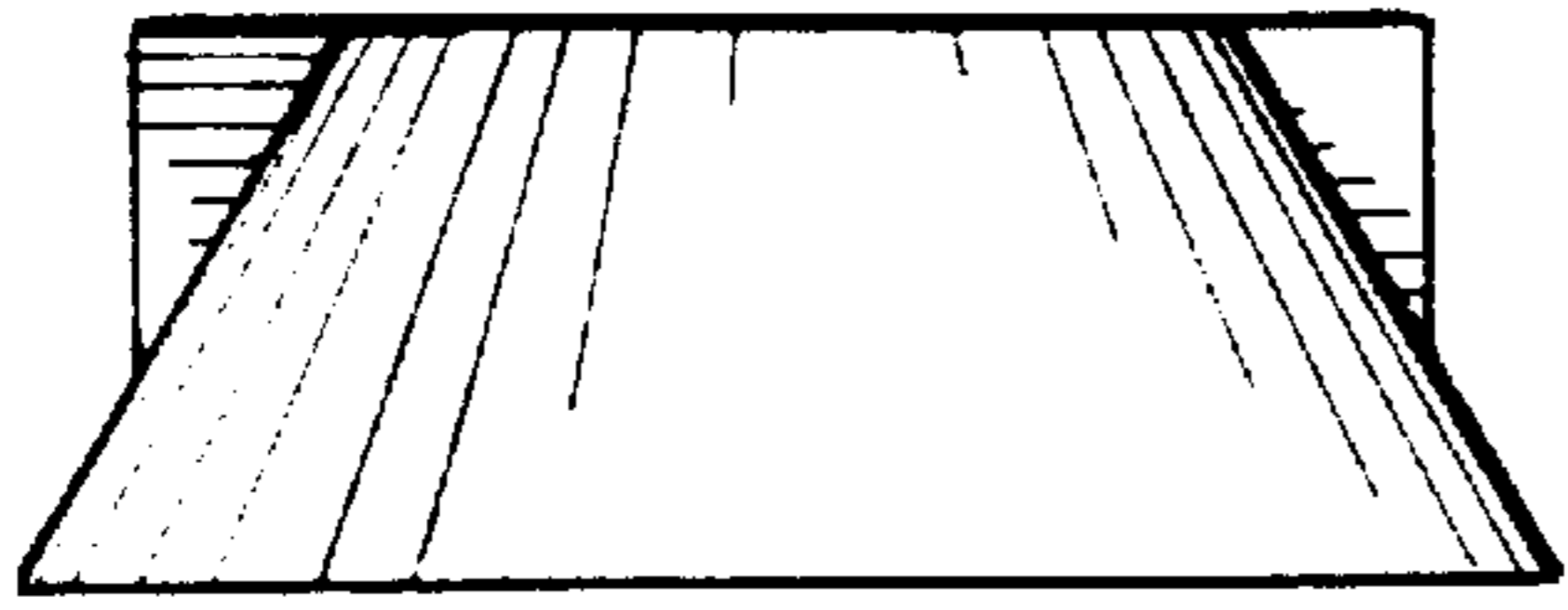


FIG. 4

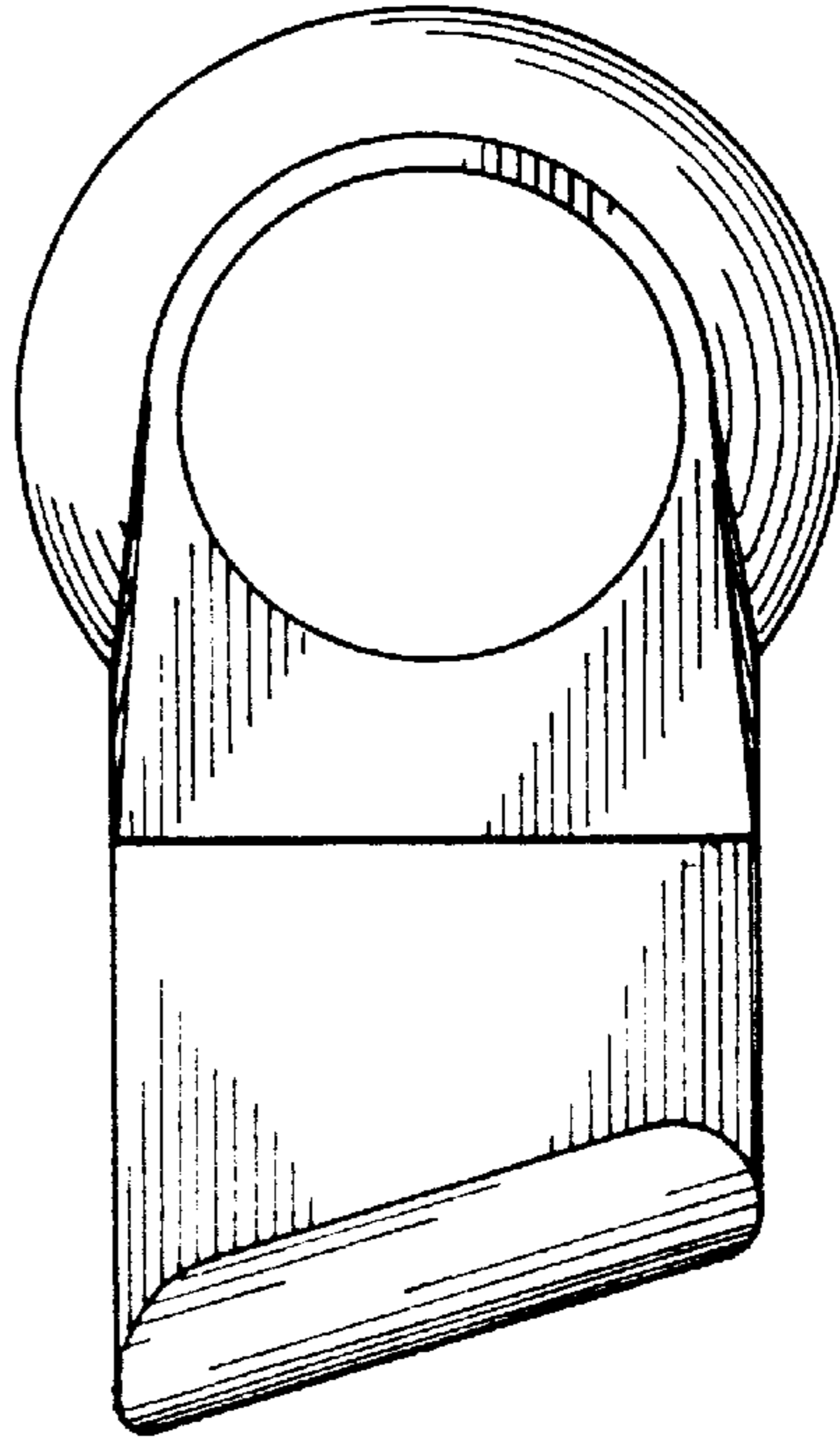


FIG. 6

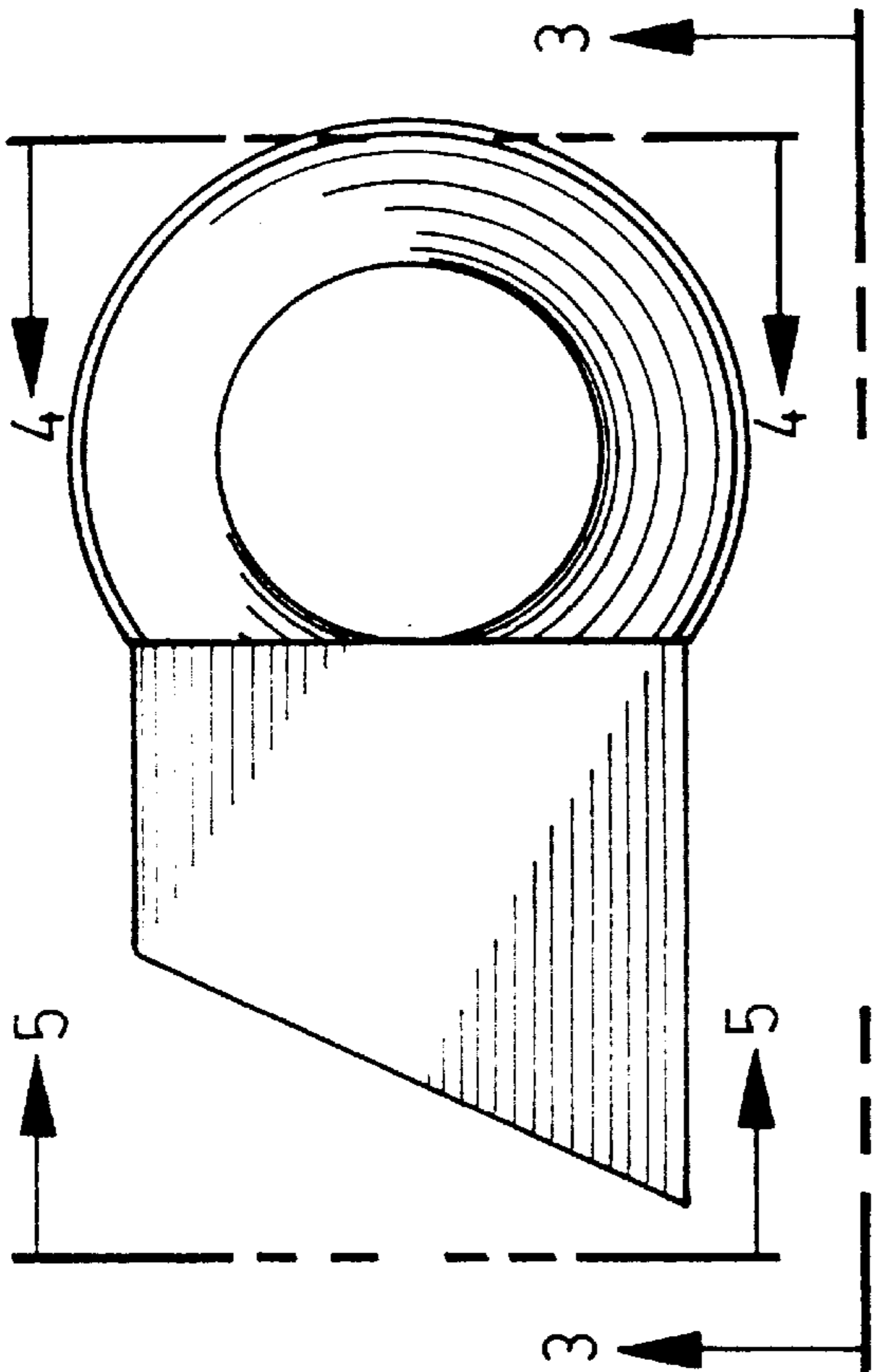


FIG. 2