



US00D429297S

United States Patent [19] Hettinger

[11] Patent Number: **Des. 429,297**

[45] Date of Patent: **** Aug. 8, 2000**

[54] **GOLF CLUB PUTTER HEAD**

[75] Inventor: **Ronald K. Hettinger**, Oceanside, Calif.

[73] Assignee: **Callaway Golf Company**, Carlsbad, Calif.

[**] Term: **14 Years**

[21] Appl. No.: **29/110,993**

[22] Filed: **Sep. 16, 1999**

[51] **LOC (7) Cl.** **21-02**

[52] **U.S. Cl.** **D21/744**

[58] **Field of Search** D21/736-746;
473/324, 327-331, 340, 341, 251-256

- 4,801,146 1/1989 Honma .
- 4,804,188 2/1989 McKee et al. .
- 4,812,187 3/1989 Honma .
- 4,884,812 12/1989 Nagasaki et al. .
- 5,176,383 1/1993 Duclos .
- 5,198,062 3/1993 Chen .
- 5,277,423 1/1994 Artus .
- 5,299,807 4/1994 Hutin .
- 5,316,298 5/1994 Hutin et al. .
- 5,342,812 8/1994 Niskanen et al. .
- 5,354,059 10/1994 Stuff .
- 5,405,137 4/1995 Vincent et al. .
- 5,439,223 8/1995 Kobayashi .
- 5,570,886 11/1996 Rigal et al. .
- 5,586,947 12/1996 Hutin .
- 5,776,010 7/1998 Helmstetter et al. .

OTHER PUBLICATIONS

Odyssey brochure; DF Rossie 1, 2, Deep face Rosie 2 and DF 772 putters, May, 1998.

Primary Examiner—Mitchell Siegel
Attorney, Agent, or Firm—Michael A. Catania

[56] **References Cited**

U.S. PATENT DOCUMENTS

- D. 380,246 6/1997 Solheim et al. D21/736
- D. 402,343 12/1998 Helmstetter et al. D21/738
- D. 411,271 6/1999 Nelson D21/738
- 1,320,163 10/1919 Maurice .
- 1,525,352 2/1925 Aitken .
- 1,543,691 6/1925 Beat .
- 1,840,451 1/1932 Jansky .
- 2,034,936 3/1936 Barnhart .
- 2,534,947 12/1950 Bright .
- 3,064,980 11/1962 Steiner .
- 3,547,445 12/1970 Hardesty .
- 3,567,228 3/1971 Lynn .
- 3,571,900 3/1971 Hardesty .
- 3,659,855 5/1972 Hardesty .
- 4,451,042 5/1984 Hayashi et al. .
- 4,540,178 9/1985 Johnson et al. .
- 4,607,846 8/1986 Perkins .
- 4,792,140 12/1988 Yamaguchi et al. .

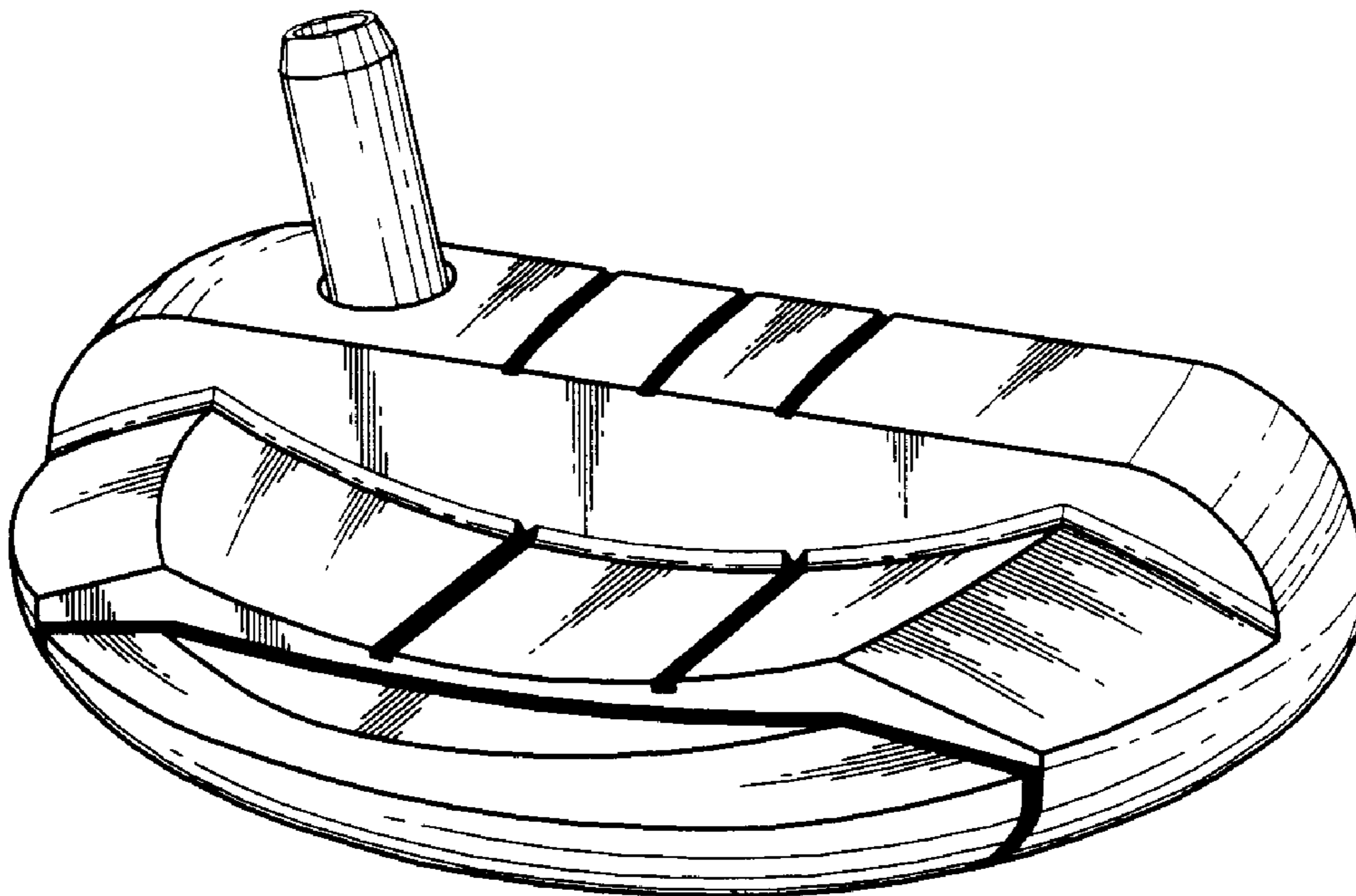
[57] **CLAIM**

The ornamental design for a golf club putter head, as shown and described.

DESCRIPTION

FIG. 1 is a perspective view of a golf club putter head; FIG. 2 is a front view thereof; FIG. 3 is a rear view thereof; FIG. 4 is a top plan view thereof; FIG. 5 is a bottom plan view thereof; FIG. 6 is a toe end view thereof; and, FIG. 7 is a heel end view thereof.

1 Claim, 2 Drawing Sheets



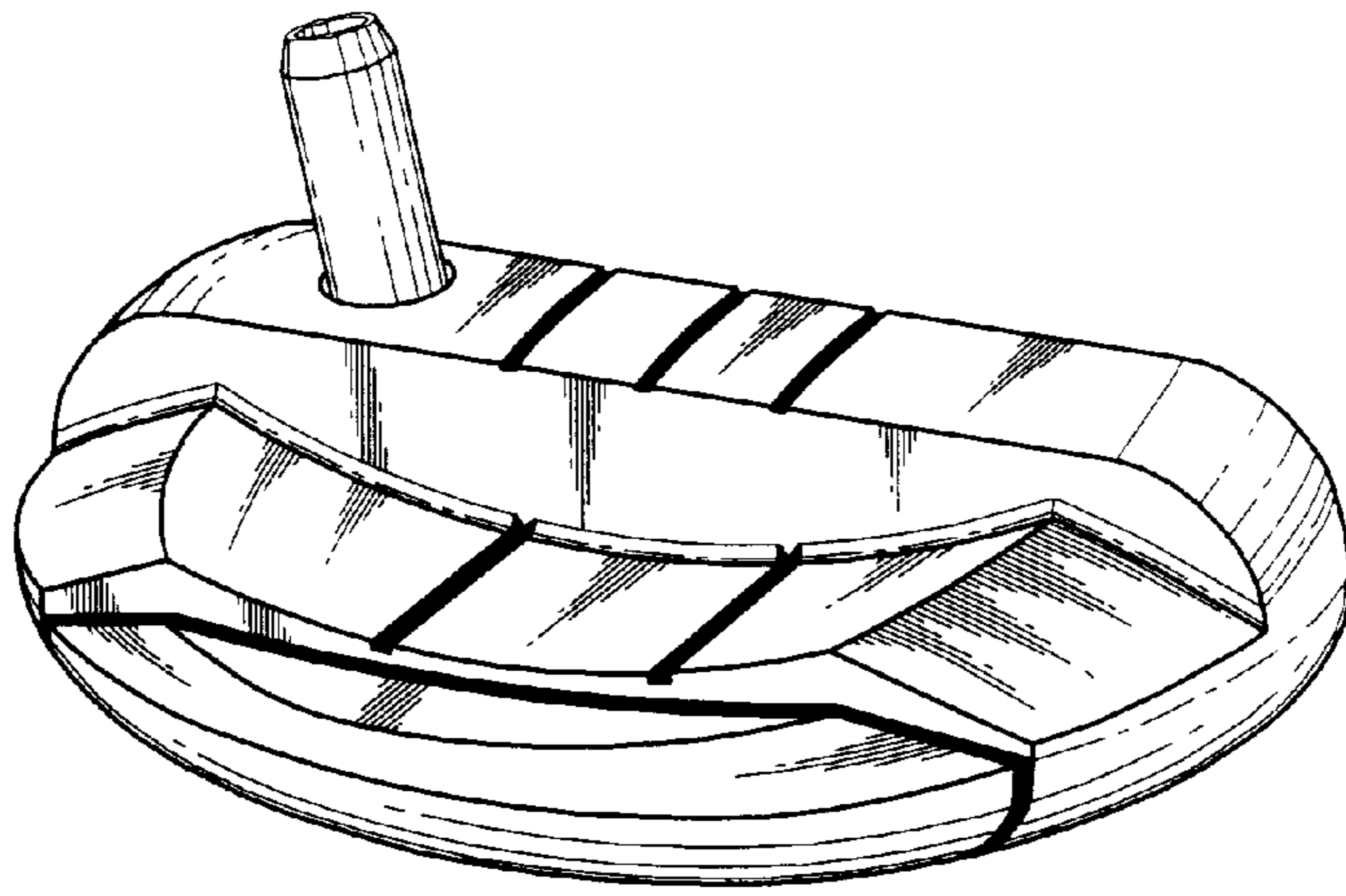


FIG. 1

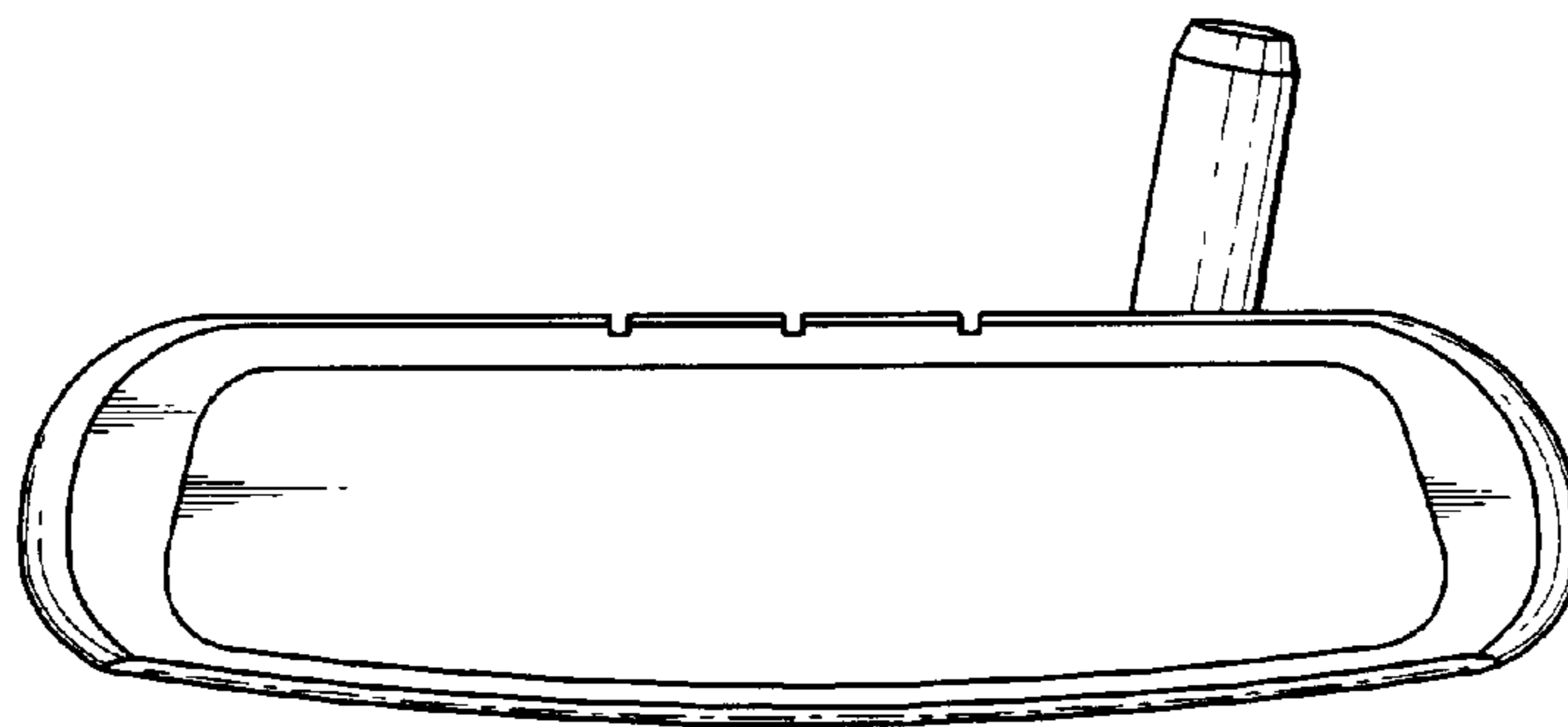


FIG. 2

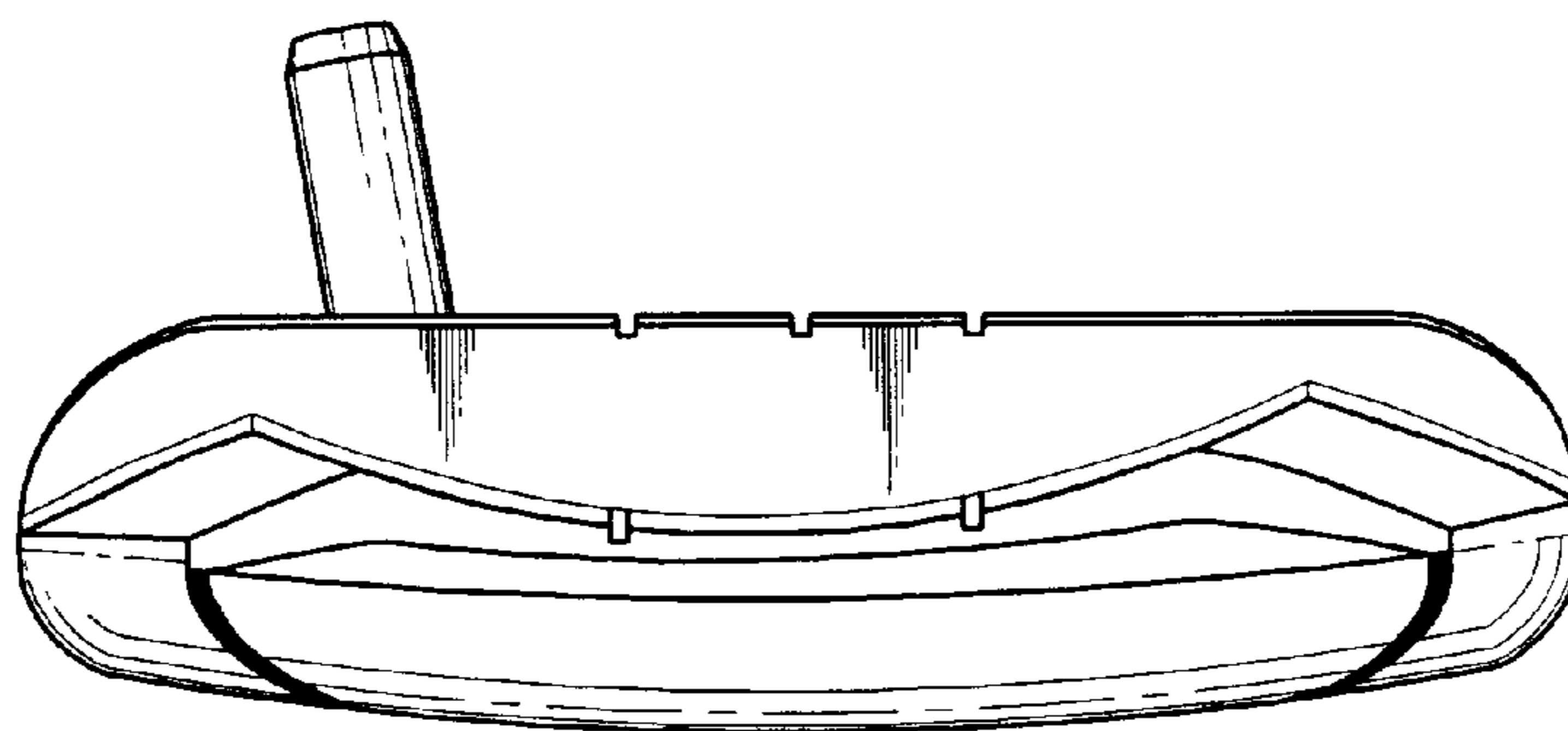


FIG. 3

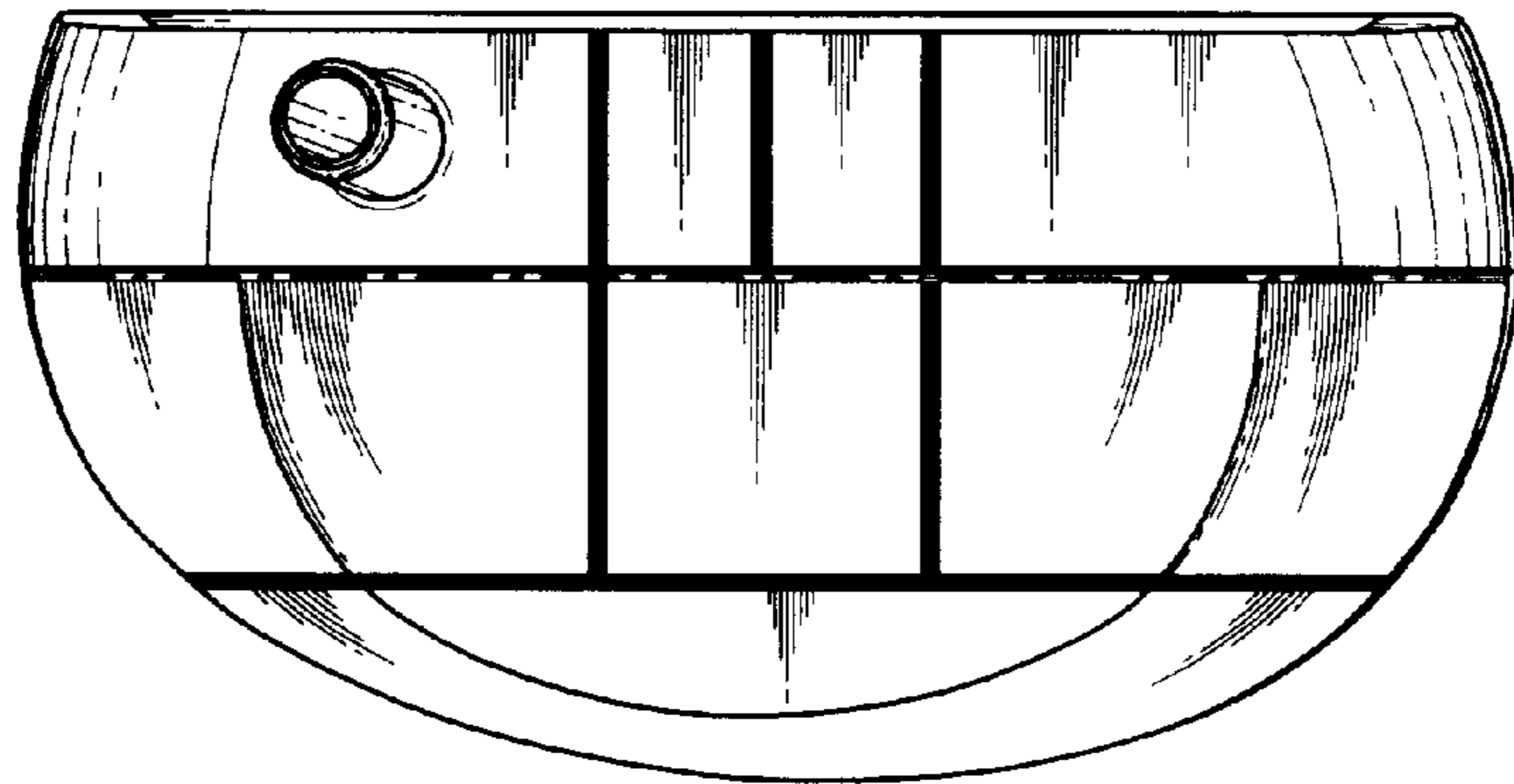


FIG. 4

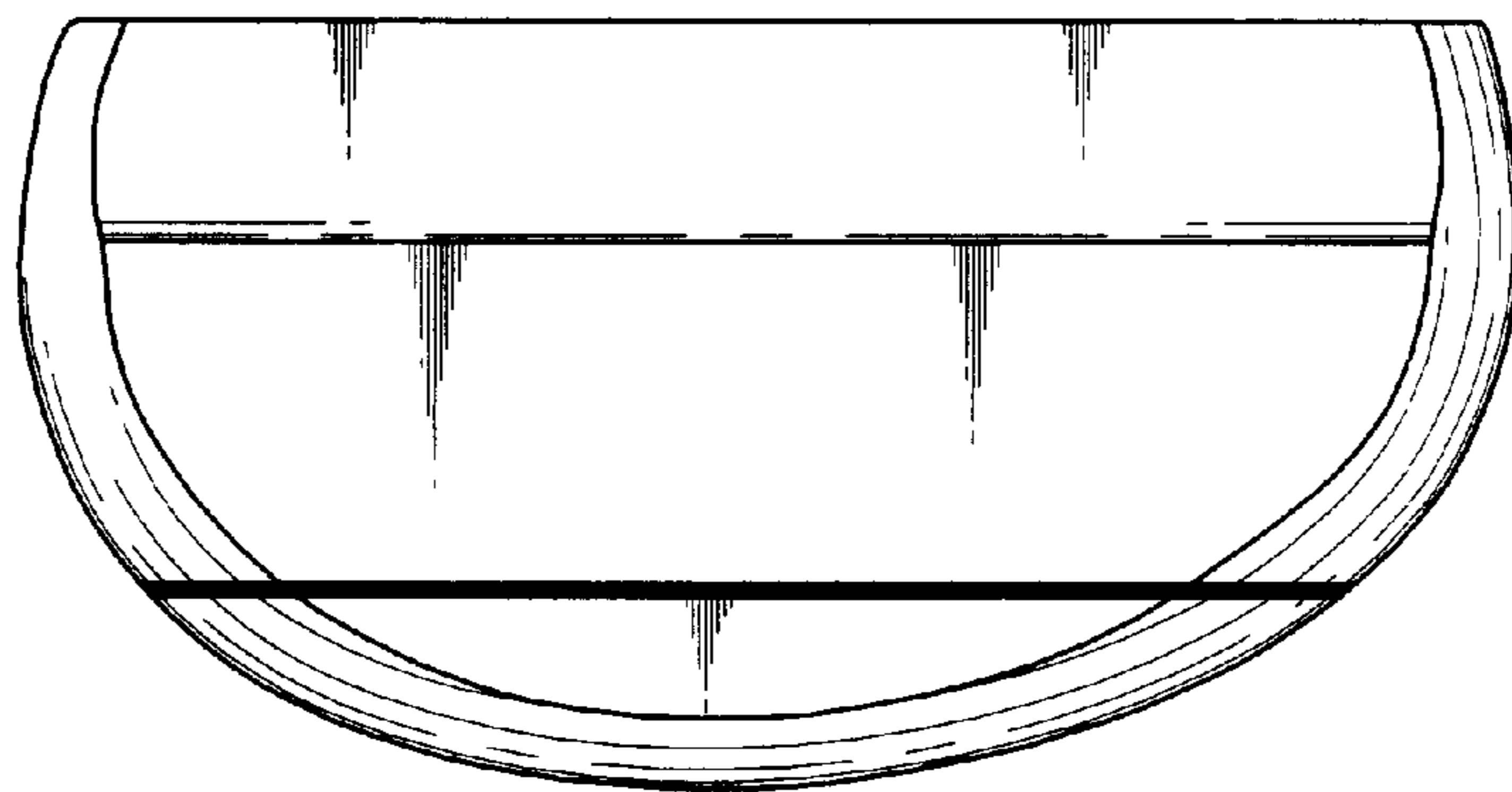


FIG. 5

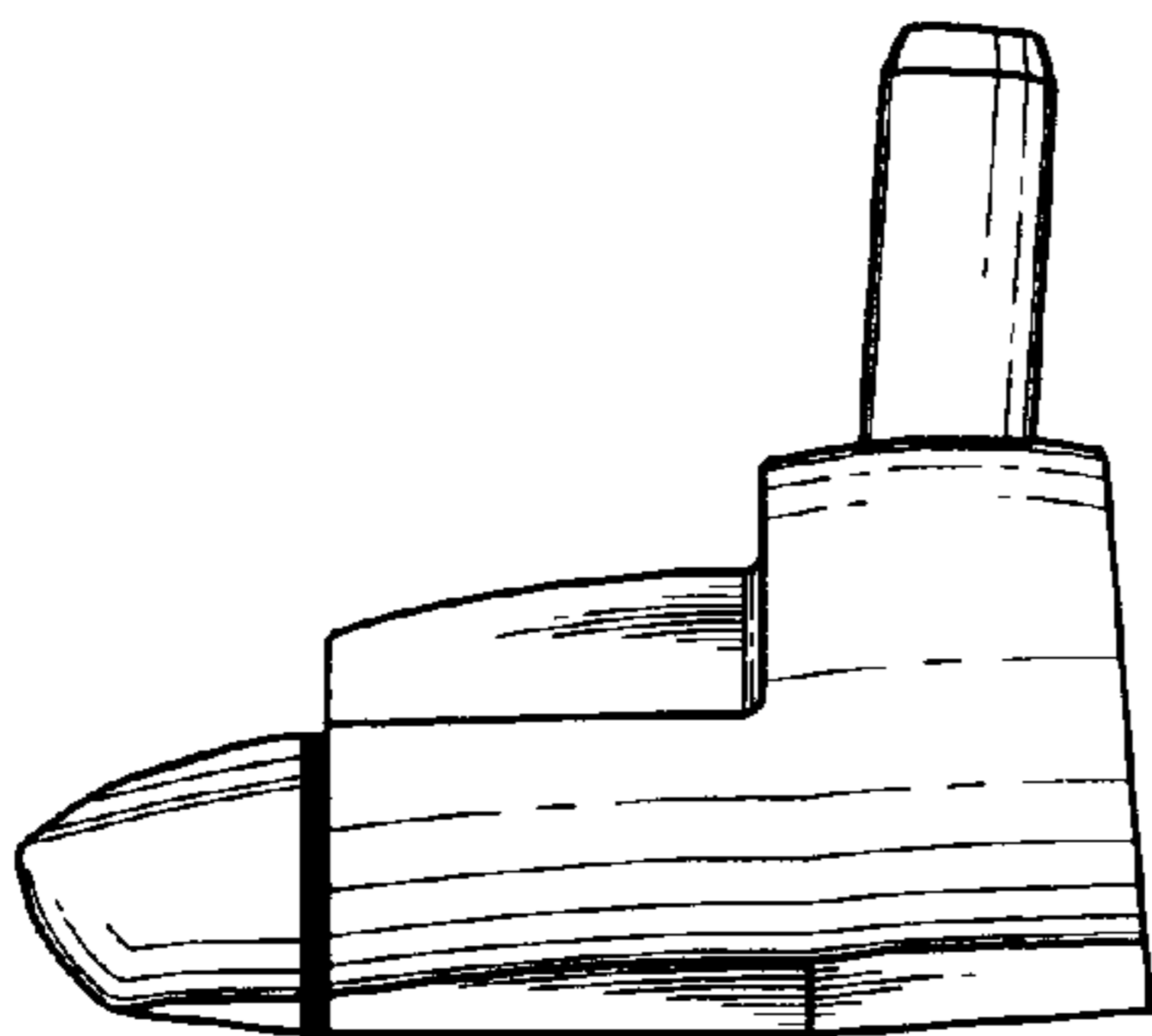


FIG. 6

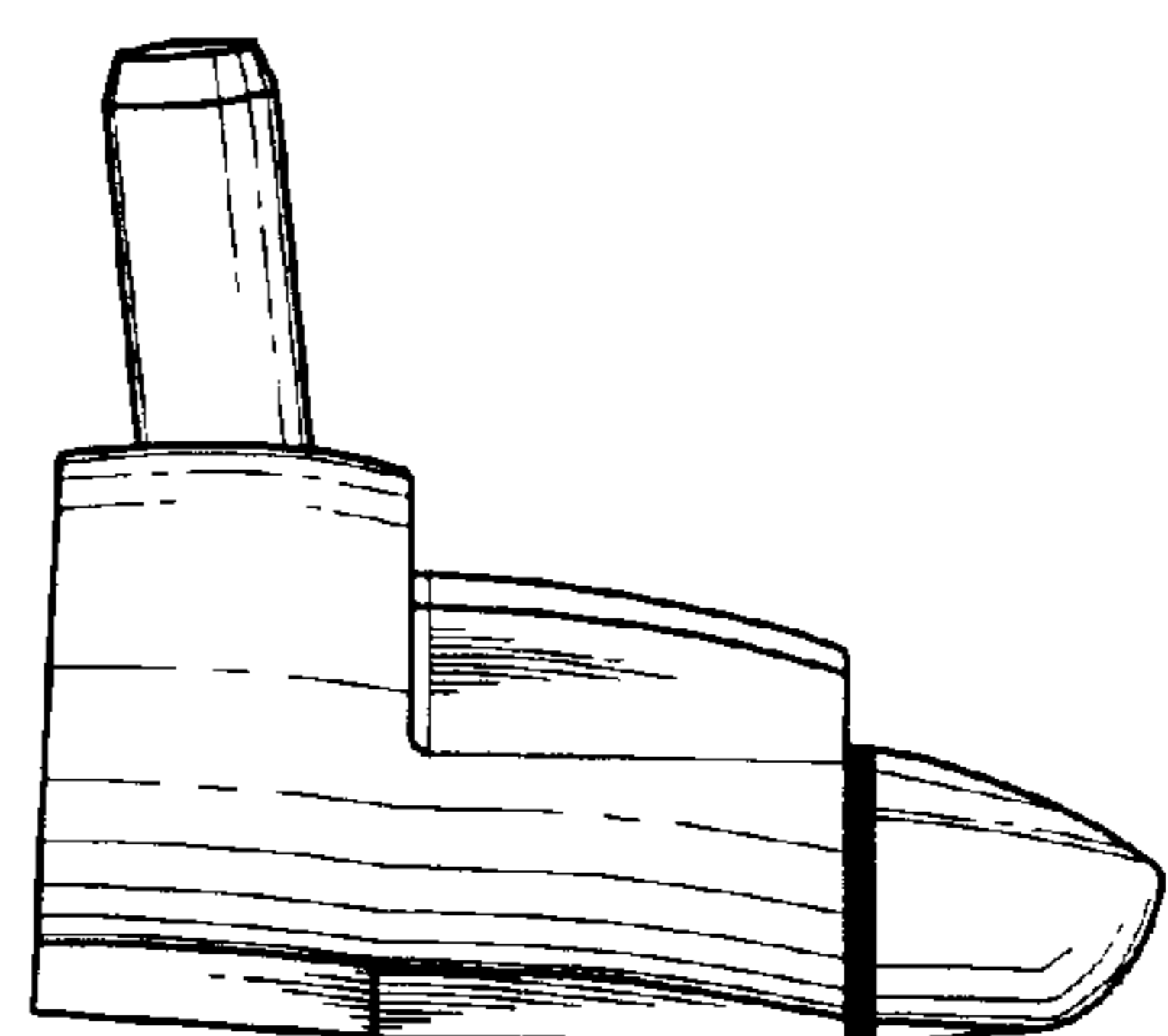


FIG. 7